

[54] COMBINED WAXER AND POLISHER TOOL

4,731,894 3/1988 Ashworth 15/97 R
4,791,694 12/1988 Itaya et al. 15/97 R

[75] Inventors: Robert Simonelli, Palatine; Mark Larsen, Evanston; Kiyoshi Iha, Elk Grove Village, all of Ill.

OTHER PUBLICATIONS

Waxcoa, Waxmaster Waxing System Instruction Manual (Model M4015 Waxmaster 9), no date.

[73] Assignee: The Chamberlain Group, Inc., Elmhurst, Ill.

Primary Examiner—A. Hugo Word
Assistant Examiner—Ruth McInroy
Attorney, Agent, or Firm—Fitch, Even, Tabin & Flannery

[**] Term: 14 Years

[21] Appl. No.: 341,067

[57] CLAIM

The ornamental design for a combined waxer and polisher tool, as shown and described.

[22] Filed: Apr. 20, 1989

[52] U.S. Cl. D32/19

[58] Field of Search D32/1, 19; D8/62, 67, D8/69-70; 15/28, 49 R, 49 C, 50 R, 52, 53 R, 53 A, 107, 180, 97 R, 97 B, 98

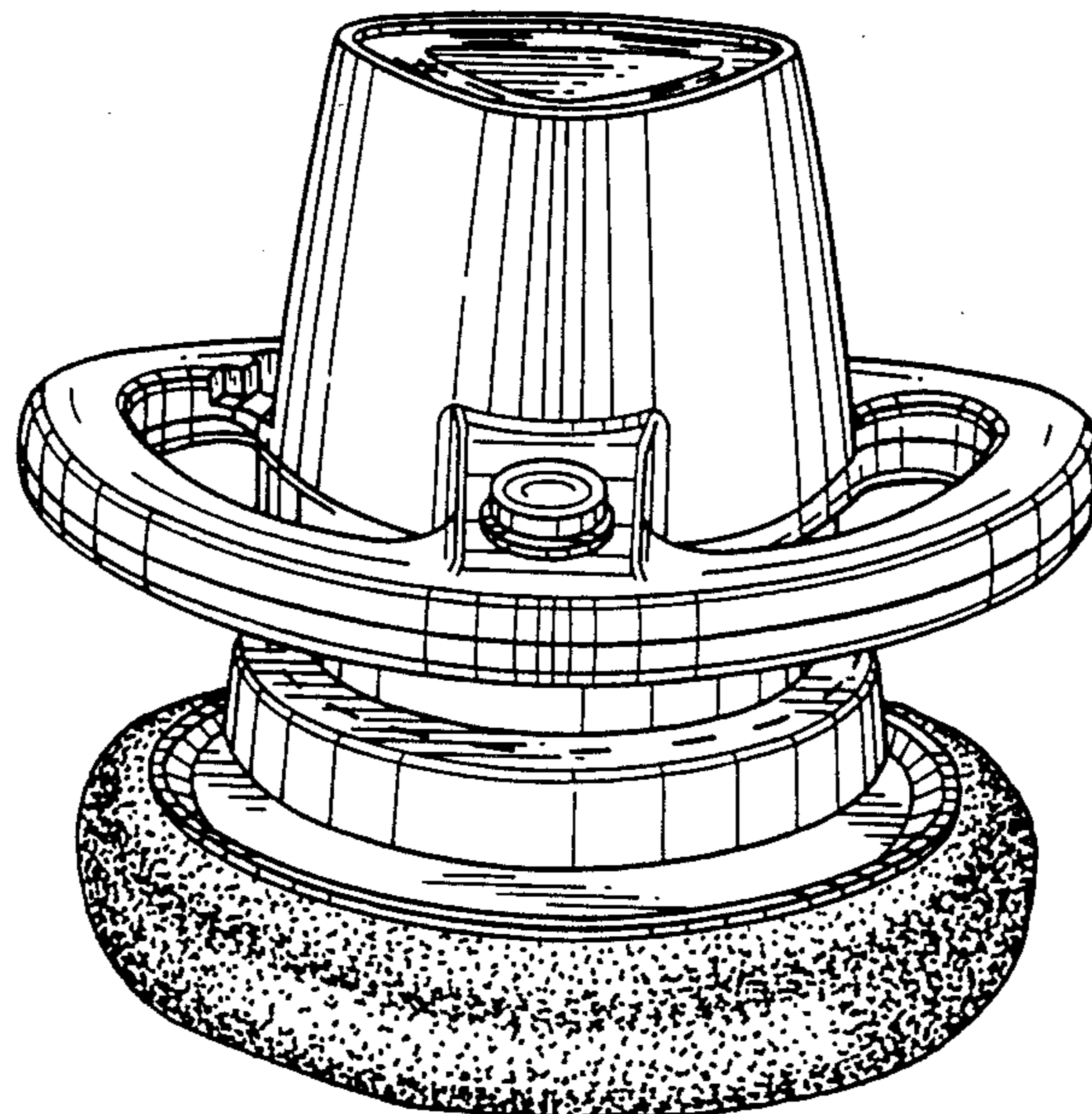
DESCRIPTION

FIG. 1 is a top and front perspective view of a combined waxer and polisher tool showing our new design; FIG. 2 is a top plan view thereof; FIG. 3 is a left side elevational view thereof; FIG. 4 is a right side elevational view thereof; FIG. 5 is a bottom plan view thereof; FIG. 6 is a front elevational view thereof; and FIG. 7 is a rear elevational view thereof.

[56] References Cited

U.S. PATENT DOCUMENTS

D. 159,752	8/1950	Palma, Jr.	D32/19
D. 199,116	9/1964	Rosenberg	D32/19
D. 202,694	11/1965	Rosenberg	D32/19
D. 264,797	6/1982	Burglin et al.	D32/15
D. 295,253	4/1988	Ashworth	D32/19



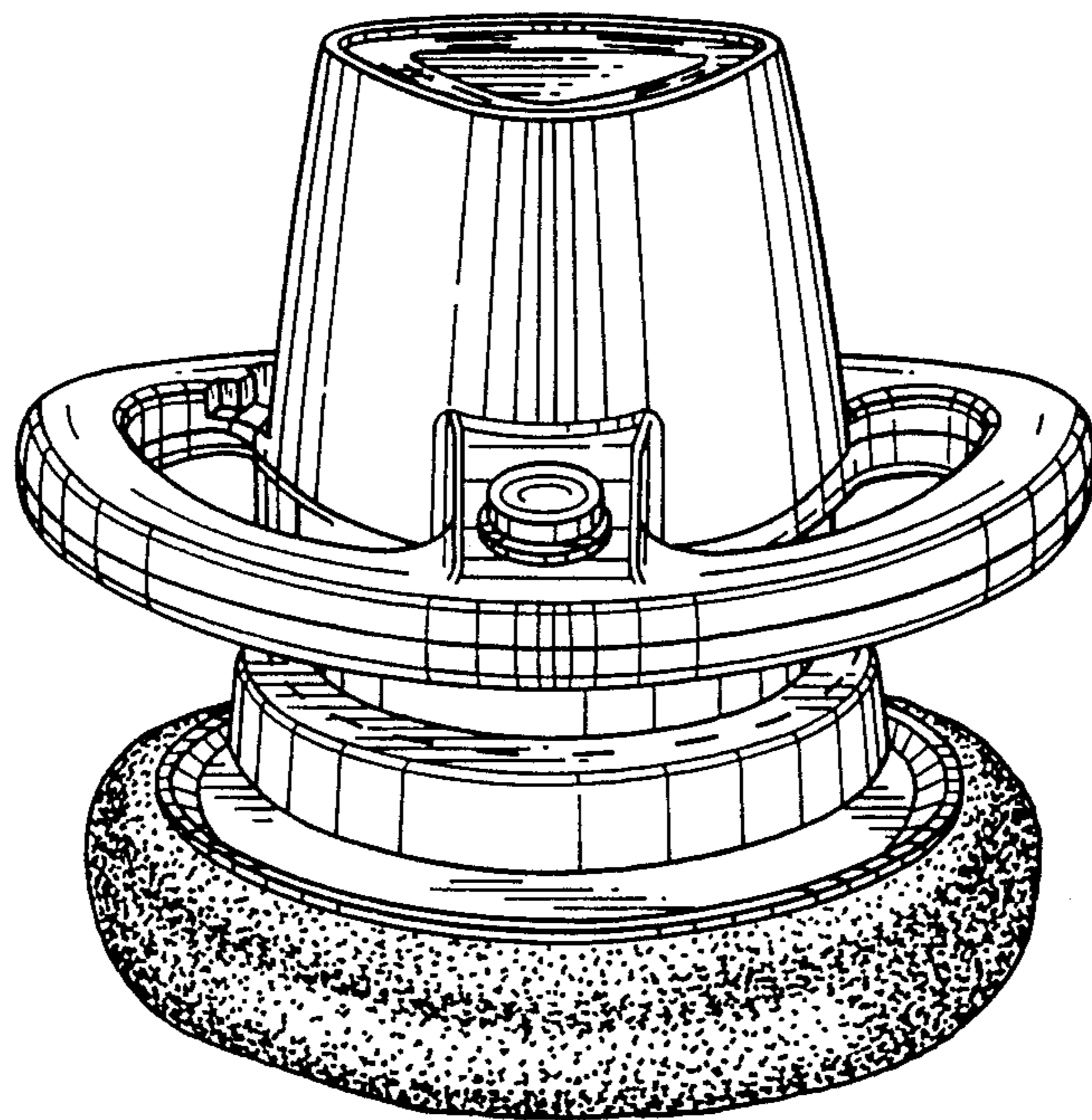


FIG. 1

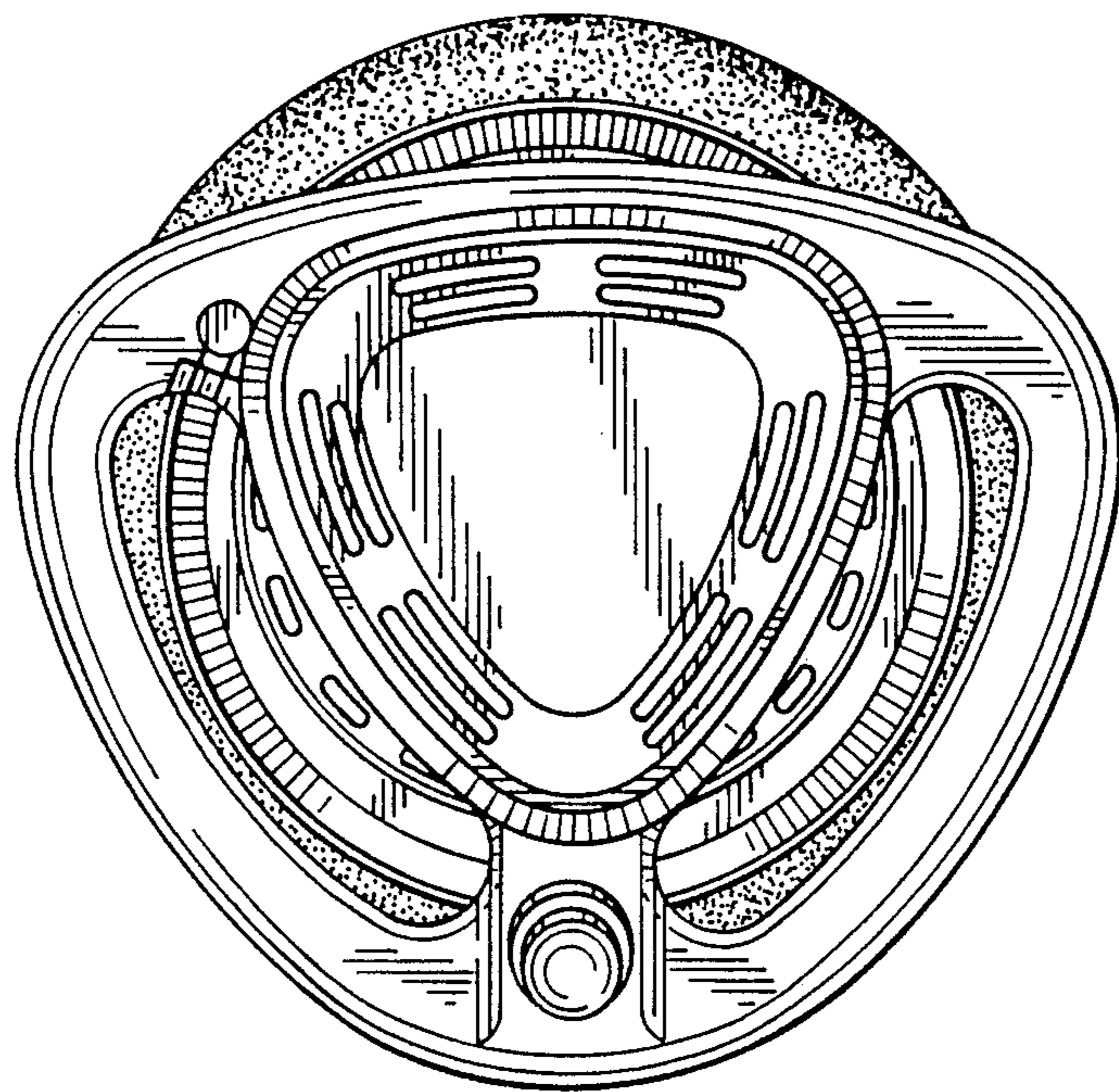


FIG. 2

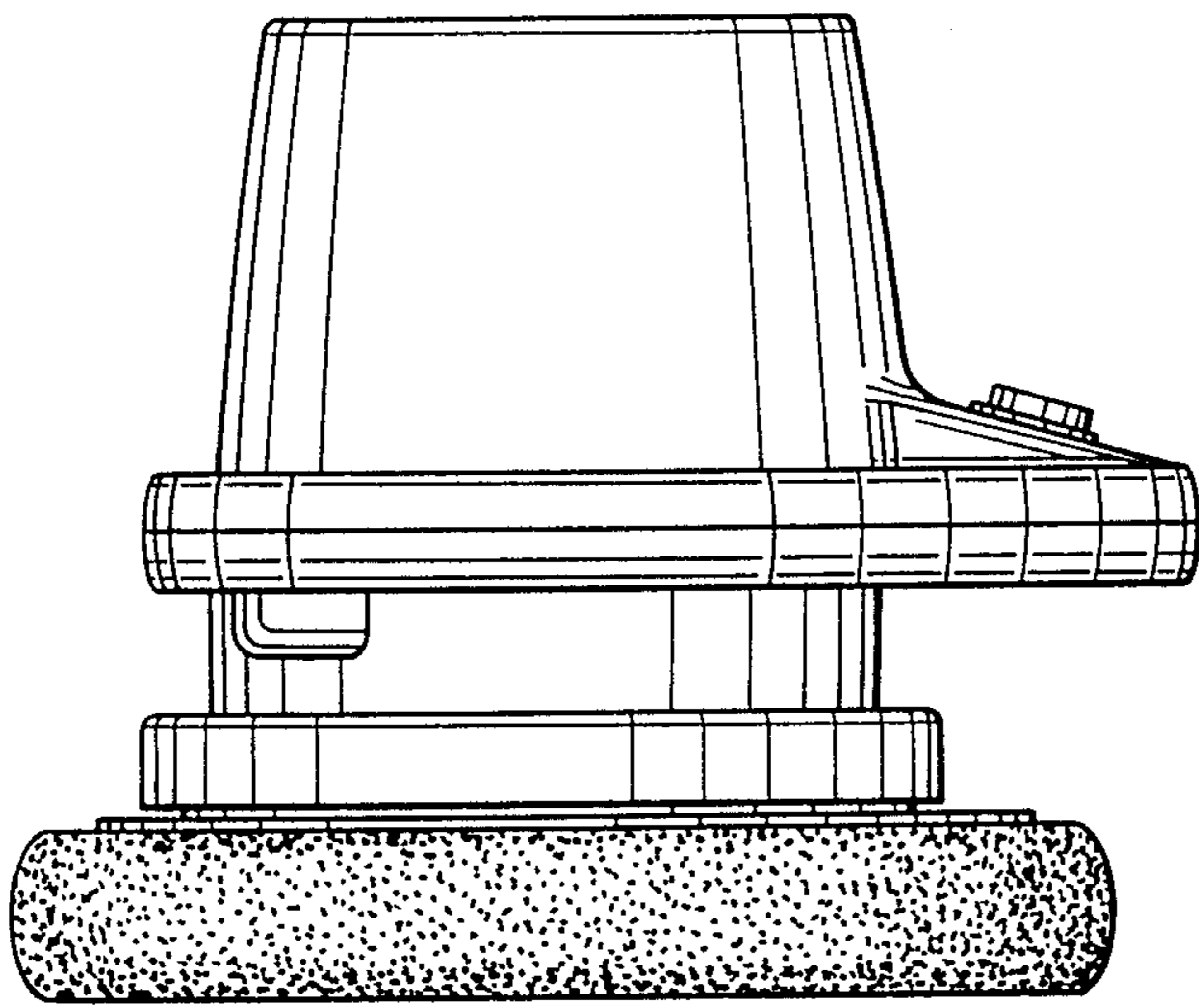


FIG. 3

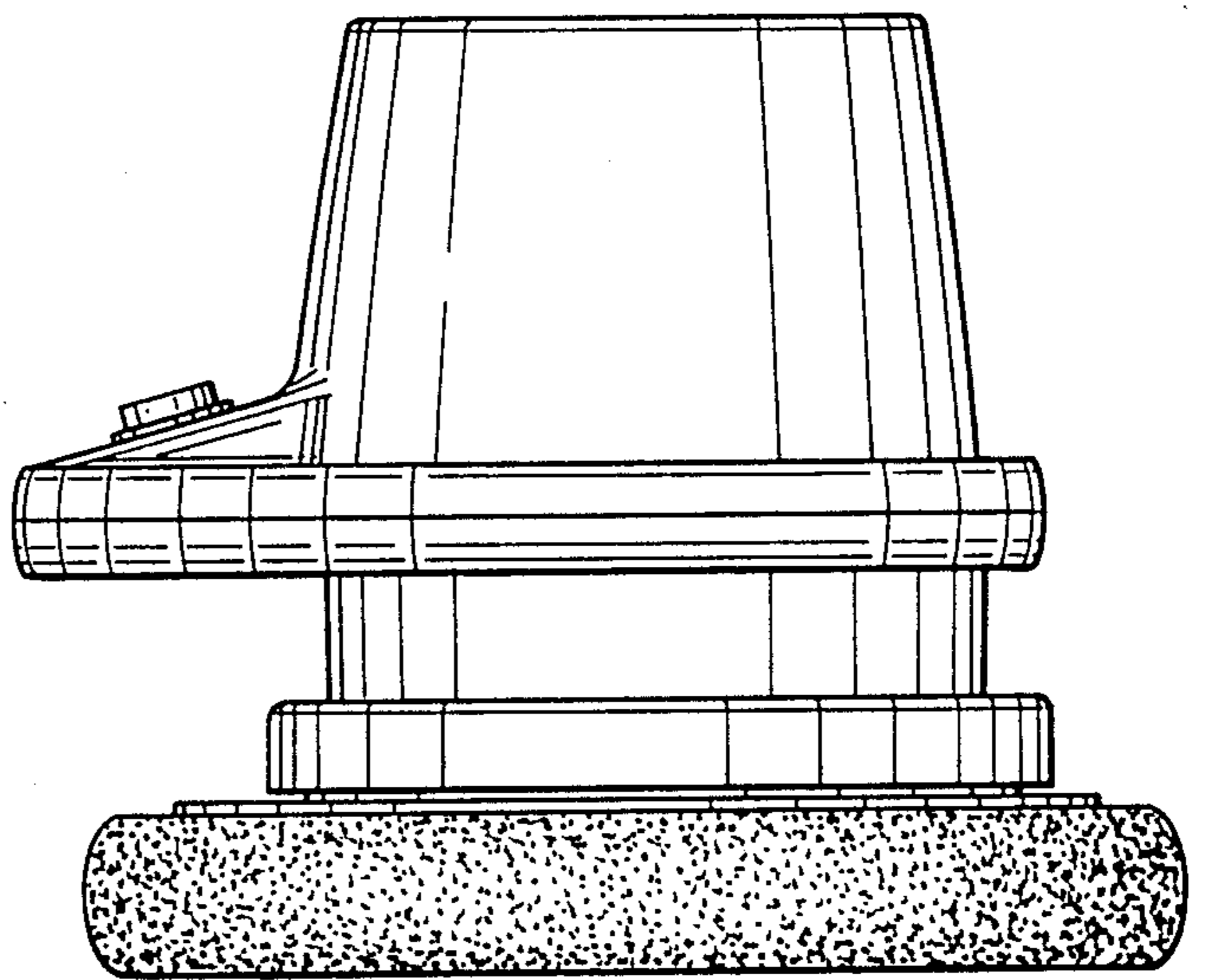


FIG. 4

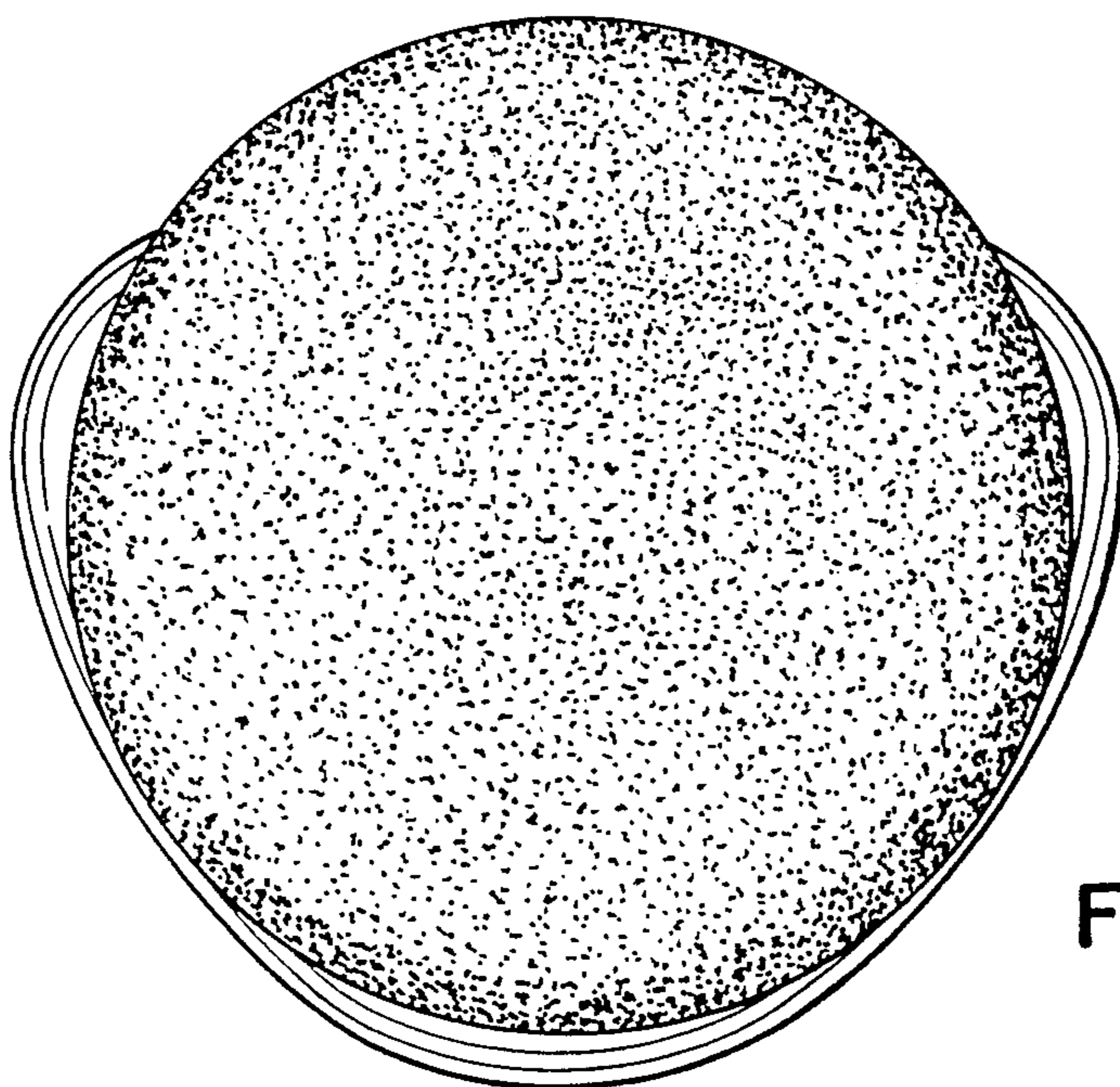


FIG. 5

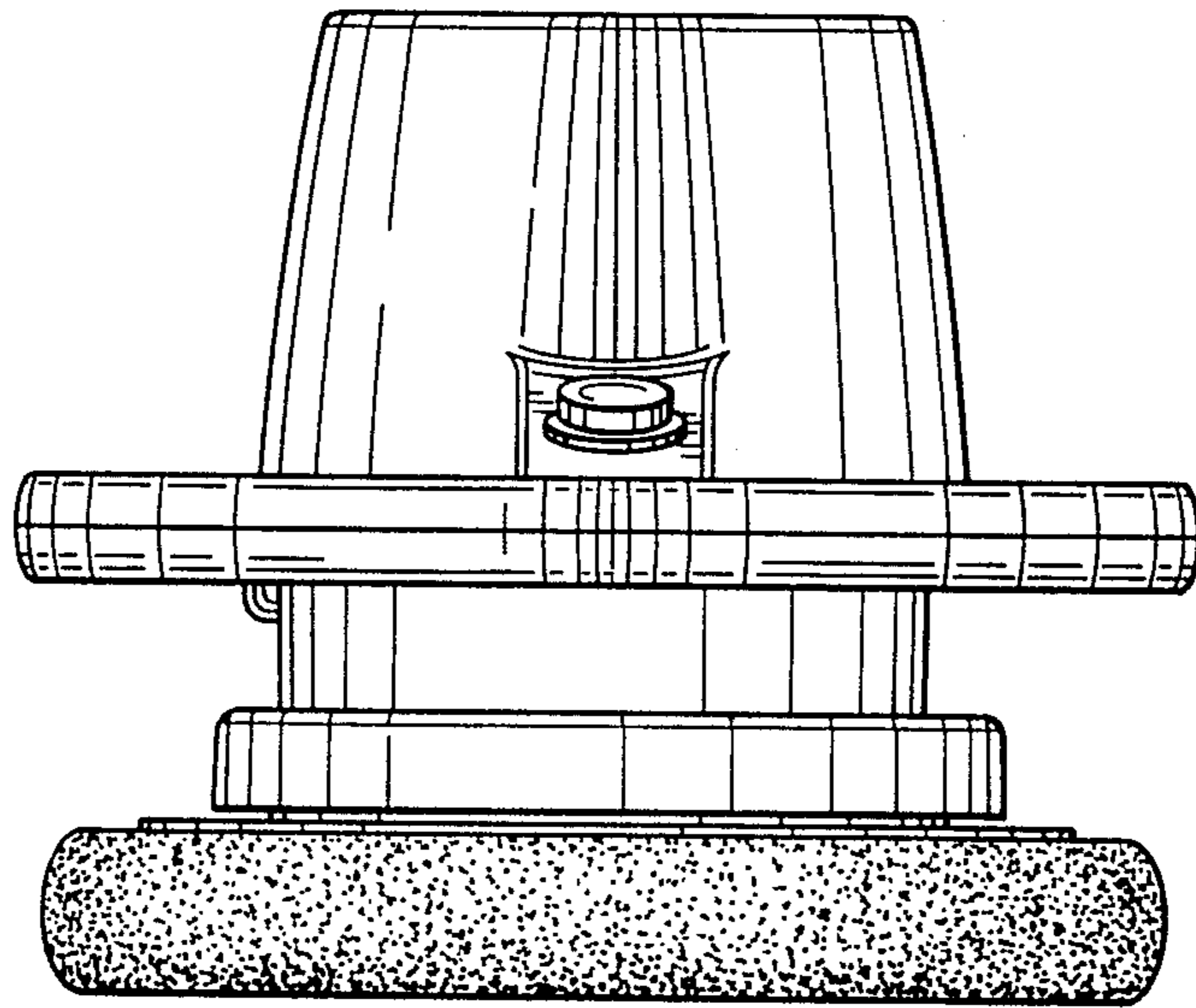


FIG. 6

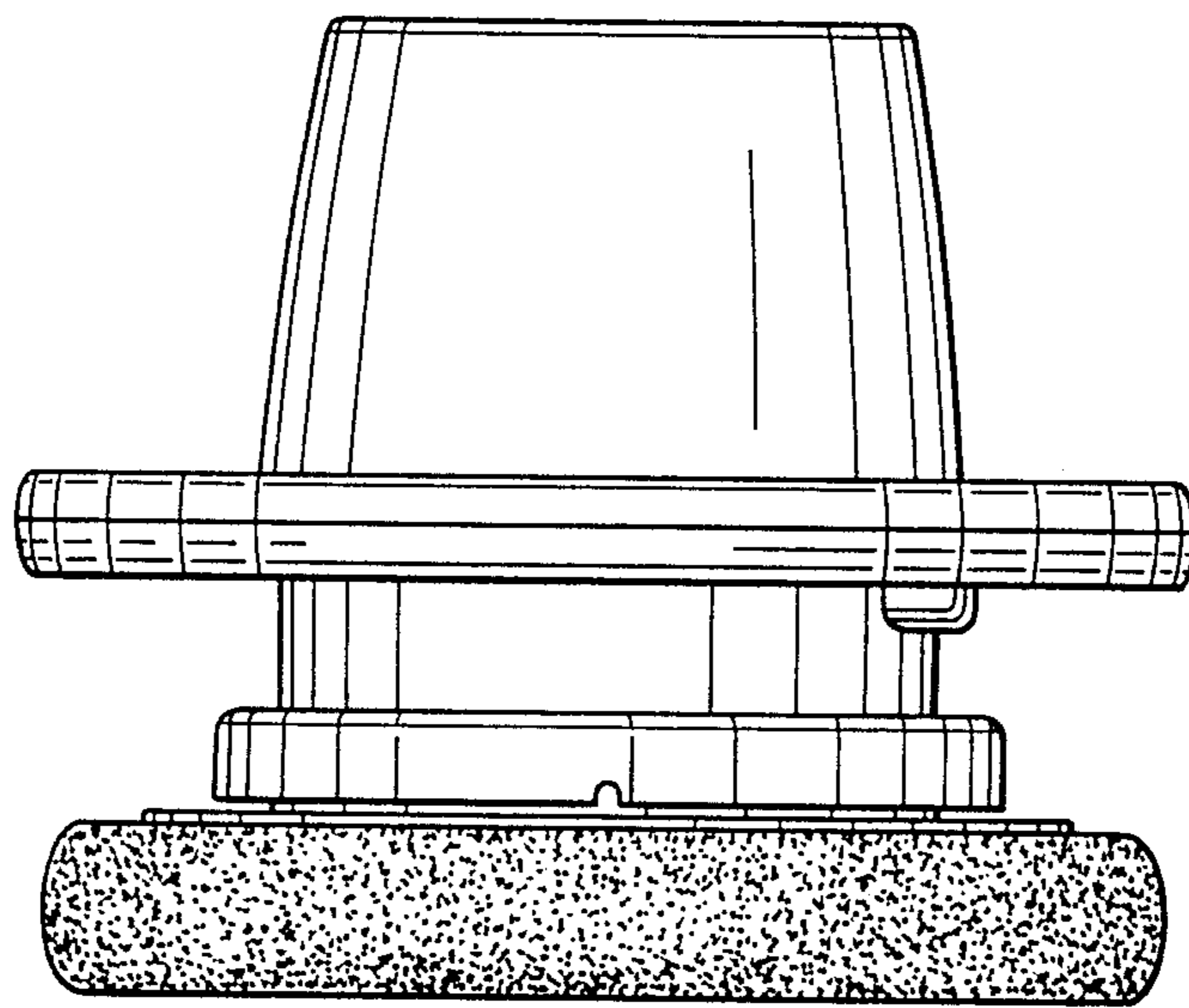


FIG. 7