

[54] **PLUMBING CLEANOUT DEVICE**
 [76] Inventor: **Aaron J. Levine**, 3180 N. Lake Shore Dr., Apt. 5A, Chicago, Ill. 60657
 [**] Term: **14 Years**
 [21] Appl. No.: **169,345**
 [22] Filed: **Mar. 17, 1988**
 [52] U.S. Cl. **D32/14**
 [58] Field of Search **D32/14; 15/104.31, 104.32, 15/104.33; 134/168 C**

3,268,937 8/1966 Bollinger 15/104.3
 3,727,261 4/1973 Levine 15/104.3
 4,317,247 3/1982 Levine 15/104.3 SN
 4,340,988 7/1982 Shames et al. 15/104.33

Primary Examiner—A. Hugo Word
Assistant Examiner—Ruth McInroy
Attorney, Agent, or Firm—Hill, Van Santen, Steadman & Simpson

[57] **CLAIM**

The ornamental design for a plumbing cleanout device, as shown.

[56] **References Cited**

U.S. PATENT DOCUMENTS

D. 140,406 2/1945 Henkel D32/14
 D. 189,445 12/1960 Levine D32/14
 D. 201,349 6/1965 Bollinger D32/14
 D. 238,046 12/1975 Levine .
 D. 281,918 12/1985 Levine D32/14
 2,793,743 8/1957 Levine 15/104.3 SN

DESCRIPTION

FIG. 1 is a side elevational view of a plumbing cleanout device showing my new design;
 FIG. 2 is a front elevational view thereof;
 FIG. 3 is a top plan view thereof;
 FIG. 4 is a rear elevational view thereof; and
 FIG. 5 is a bottom plan view thereof.

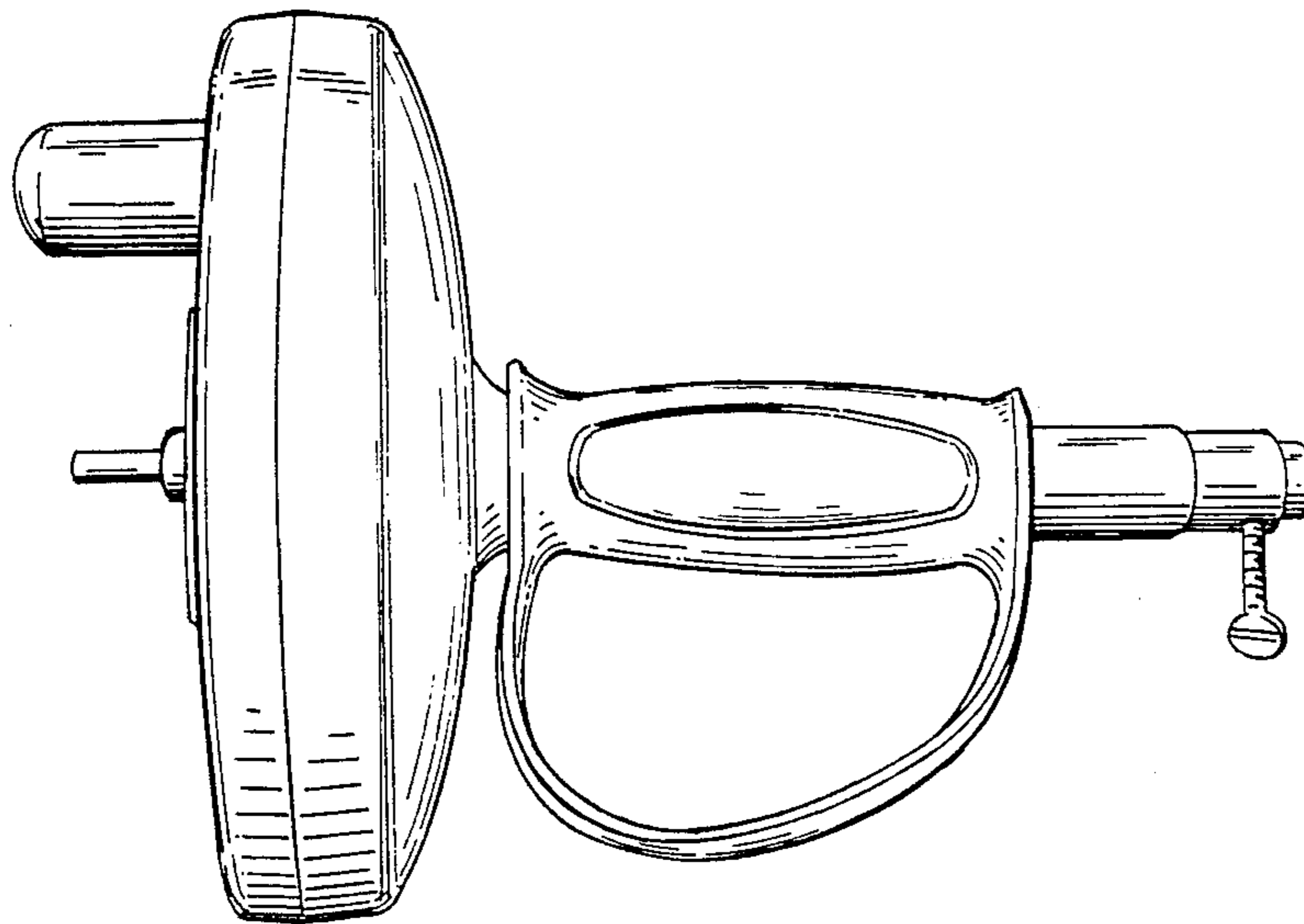


FIG. 1

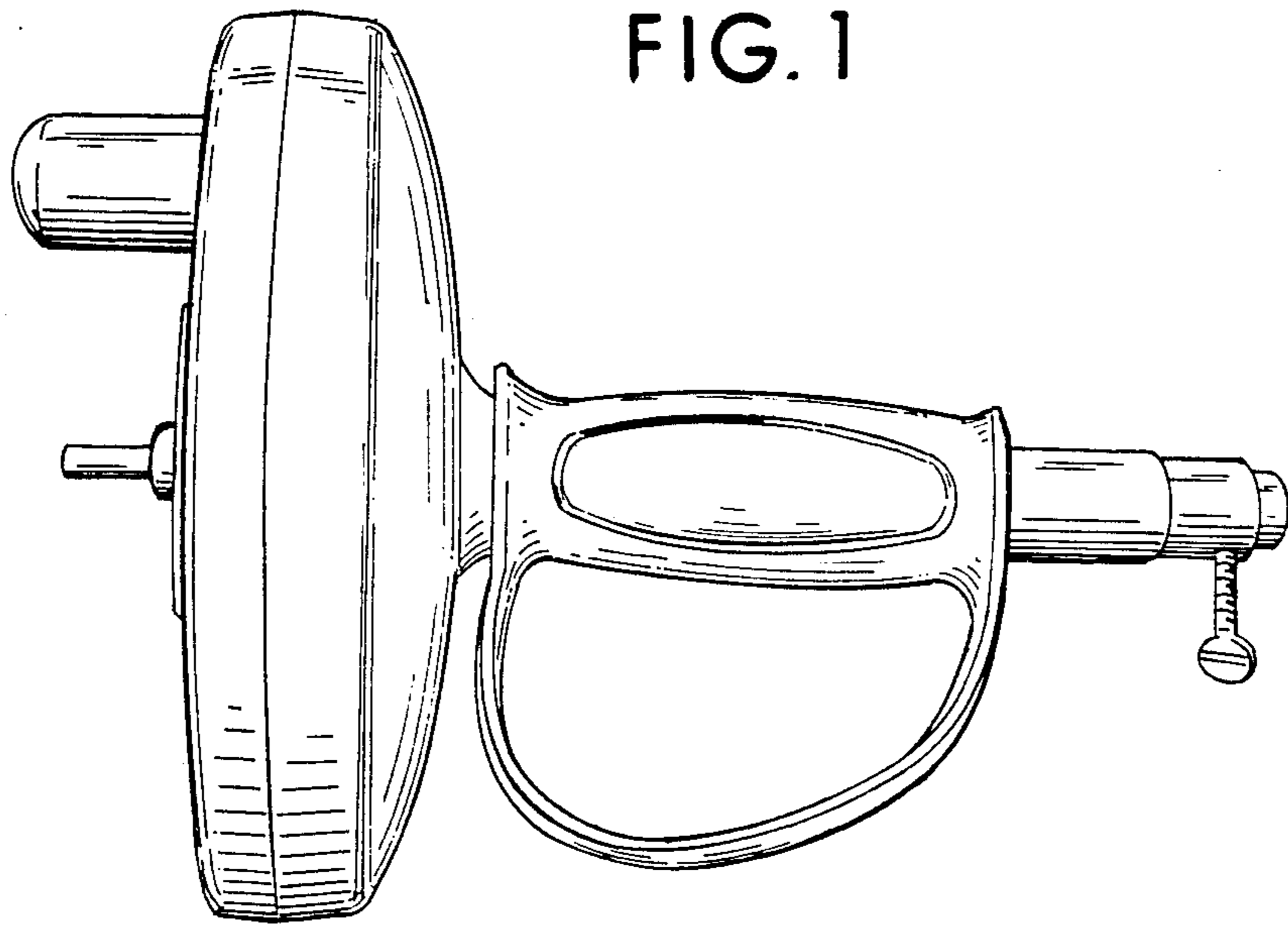


FIG. 2

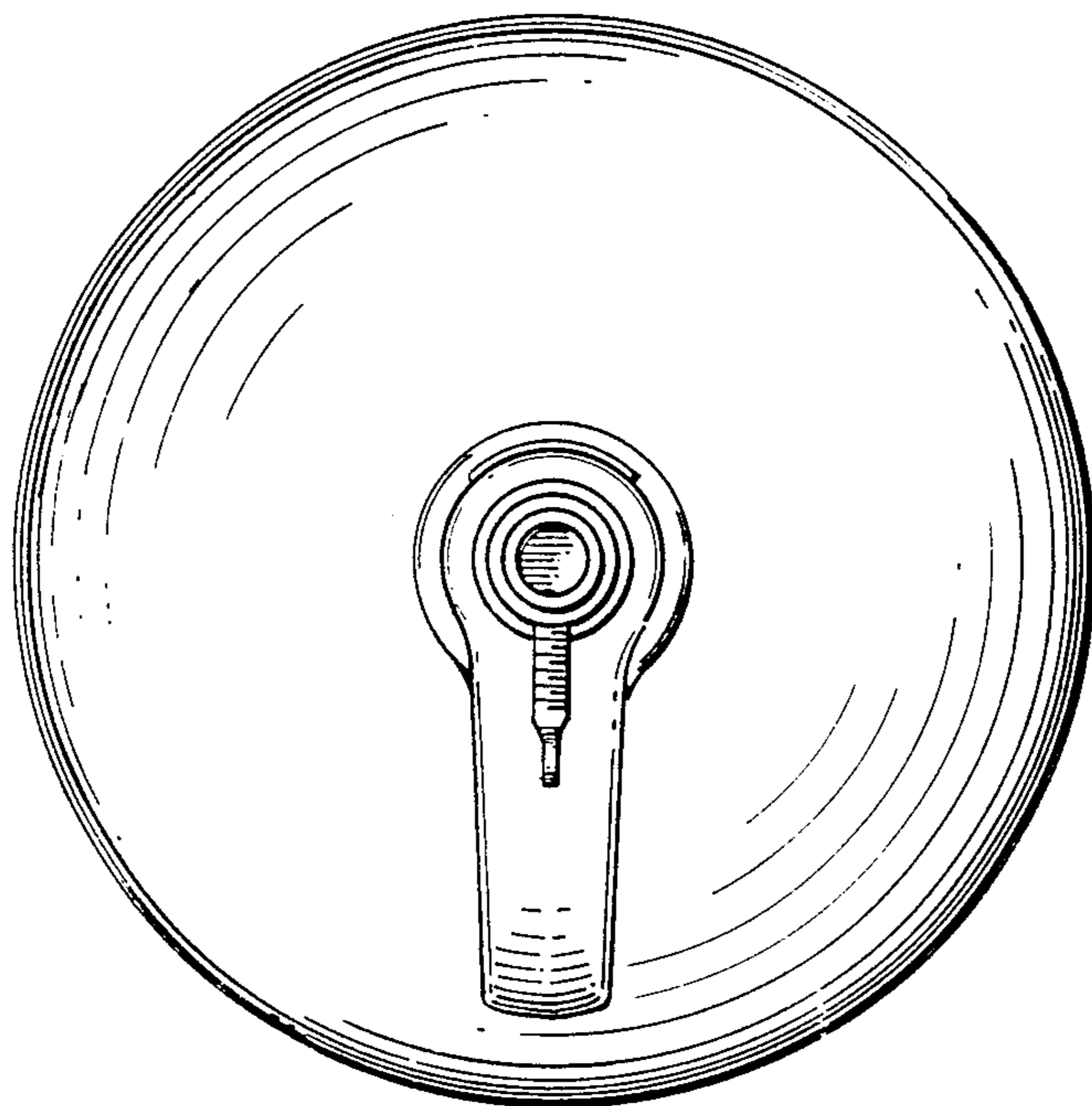


FIG. 3

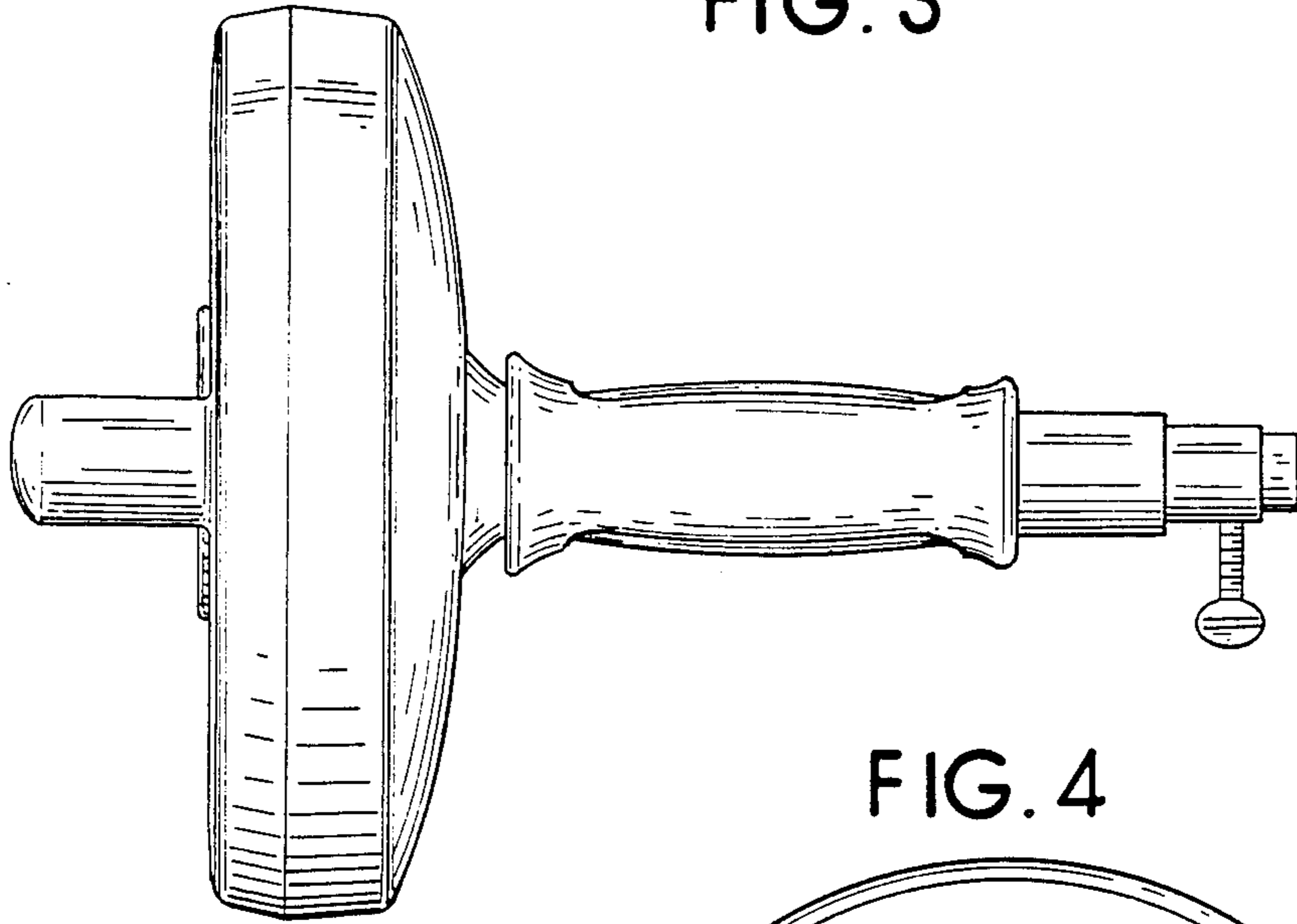


FIG. 4

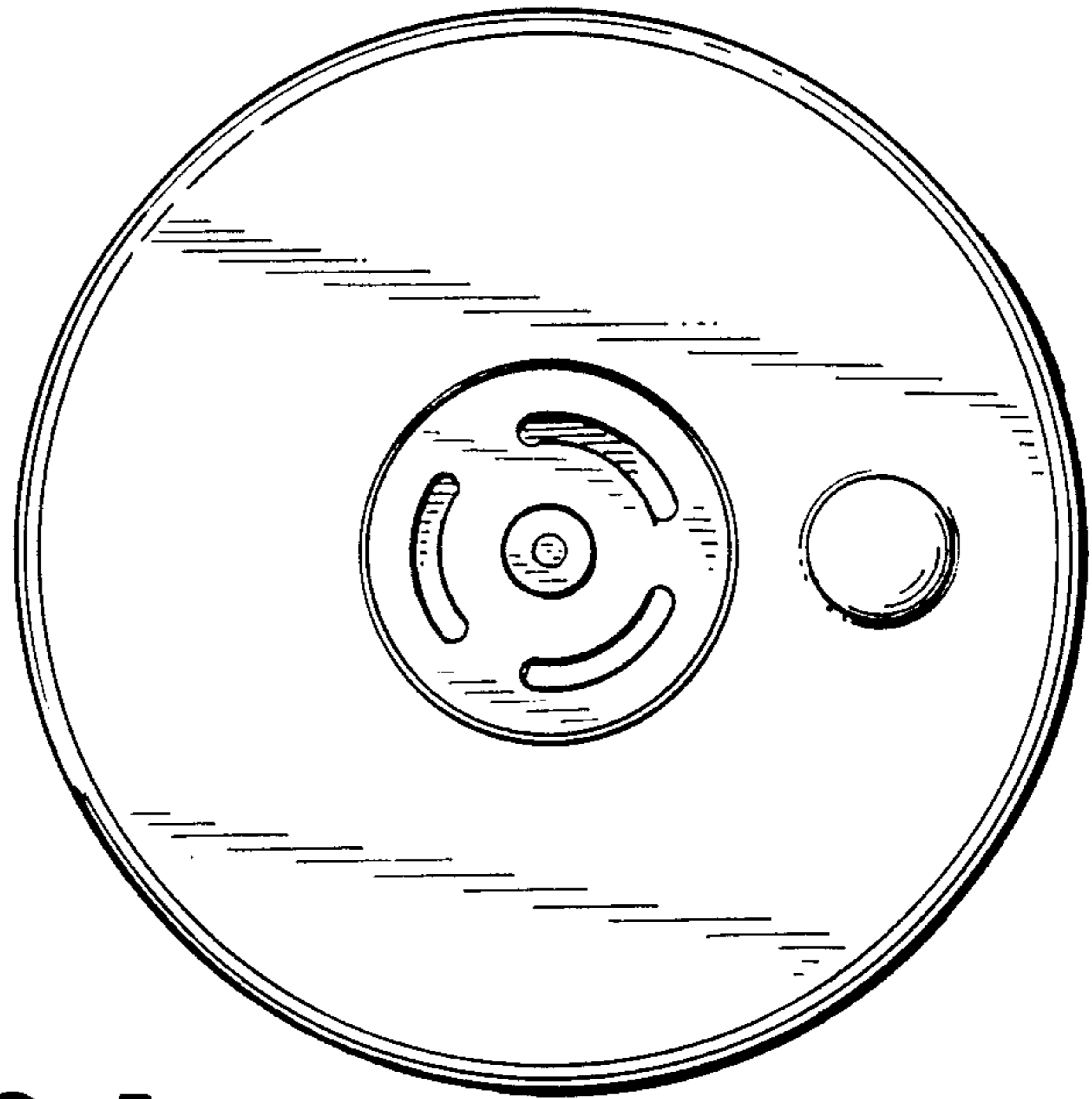


FIG. 5

