

United States Patent [19]

Whittaker

[11] Patent Number: Des. 312,710

[45] Date of Patent: ** Dec. 4, 1990

[54] DISPOSABLE DENTAL FLOSS SPINDLE

4,258,843 3/1981 Wymer 206/388 X

[76] Inventor: Dale Whittaker, 1329 Quail Run Cir.,
Bentonville, Ark. 72712

Primary Examiner—Susan J. Lucas
Assistant Examiner—M. H. Tung
Attorney, Agent, or Firm—Robert R. Keegan

[**] Term: 14 Years

[21] Appl. No.: 476,020

[22] Filed: Feb. 6, 1990

[52] U.S. Cl. D28/64

[58] Field of Search D28/64; 132/321-329;
206/388, 63.5

[57] CLAIM

The ornamental design for a disposable dental floss spindle, as shown and described.

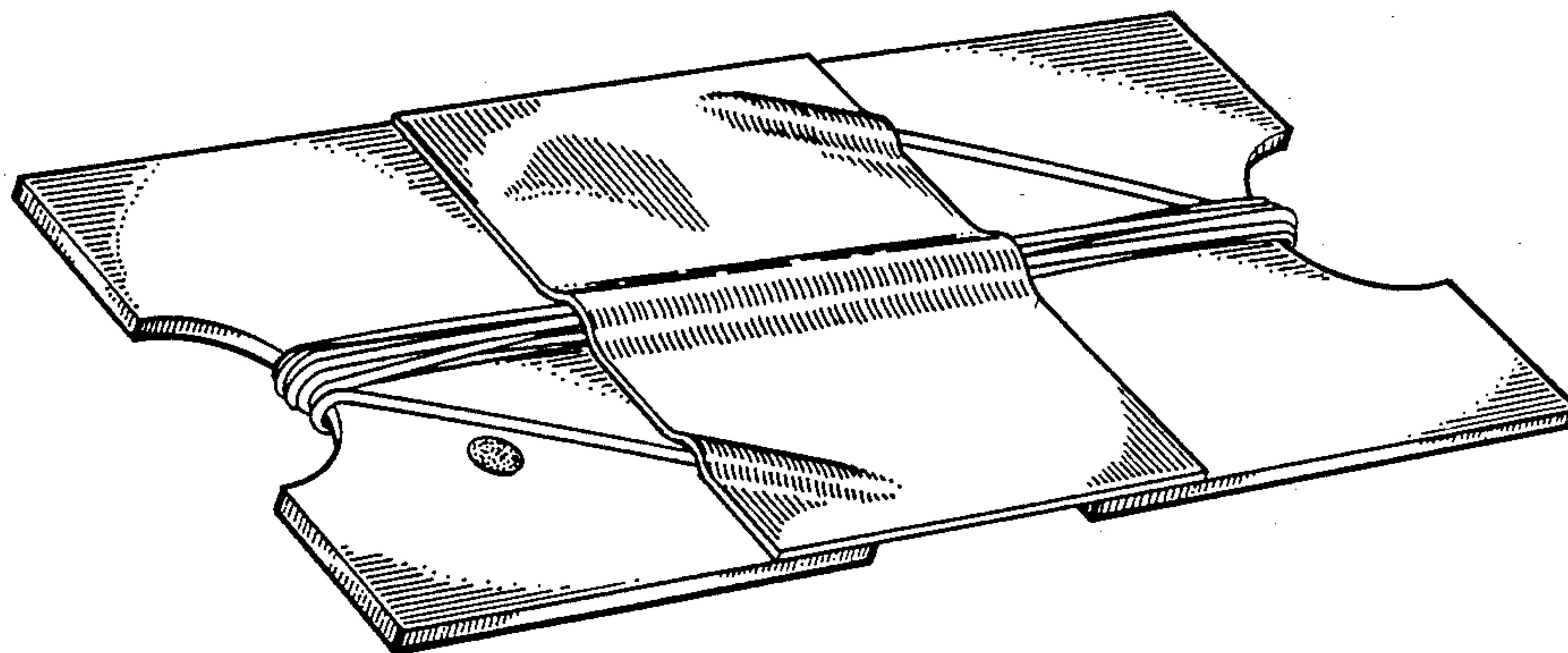
DESCRIPTION

FIG. 1 is a top perspective view of a disposable dental floss spindle showing my new design;
FIG. 2 is an end elevational view thereof, the other end being identical;
FIG. 3 is a right side elevational view thereof;
FIG. 4 is a bottom plan view thereof, and
FIG. 5 is a left side elevational view thereof.

[56] References Cited

U.S. PATENT DOCUMENTS

250,430 12/1881 Engisch et al. 206/388
897,173 8/1908 Strassberger 206/388 X
1,506,010 8/1924 Lapin 206/388 X



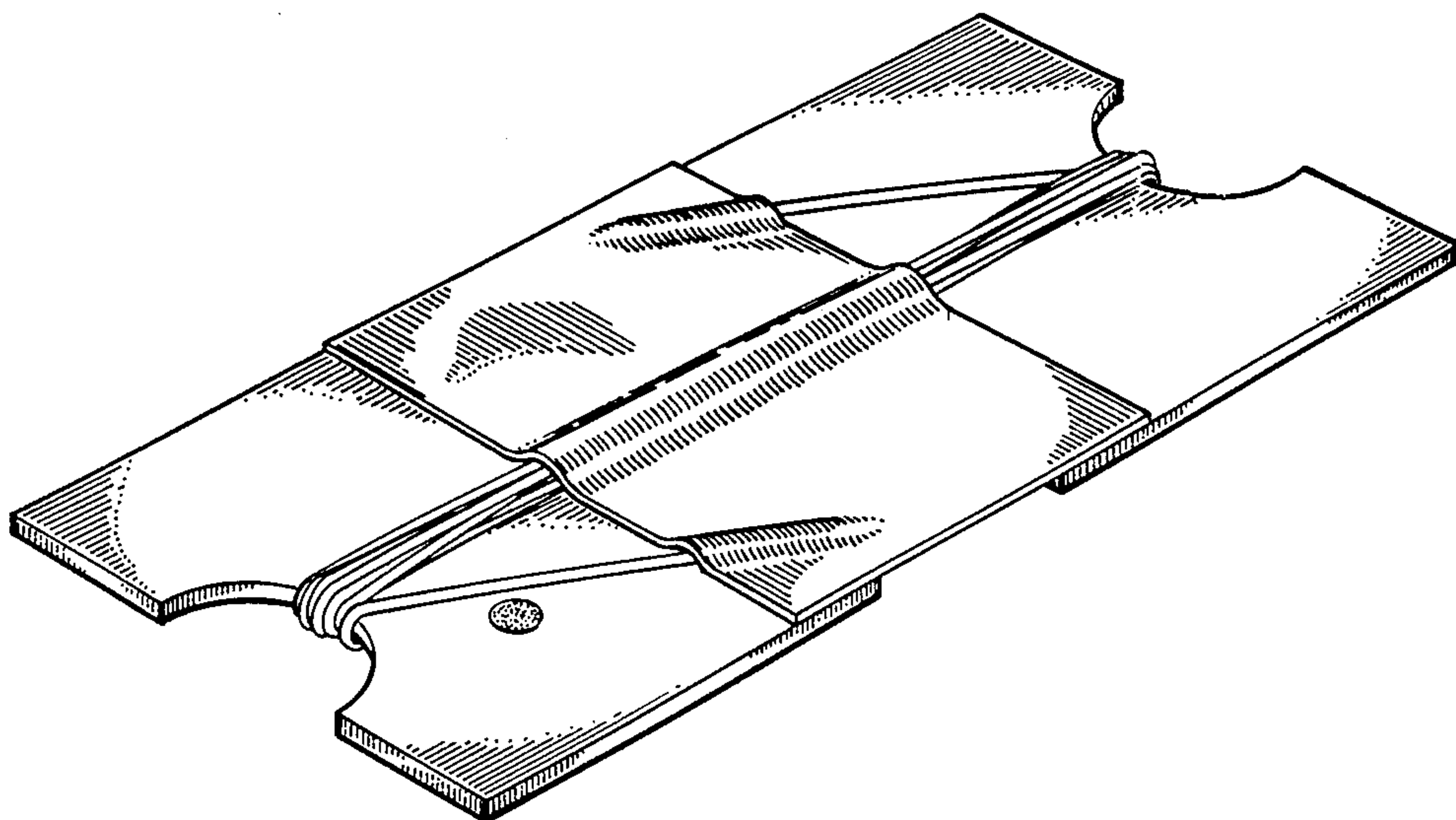


Fig. 1



Fig. 2

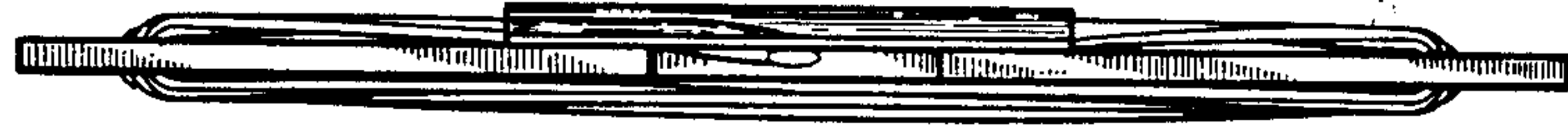


Fig. 3

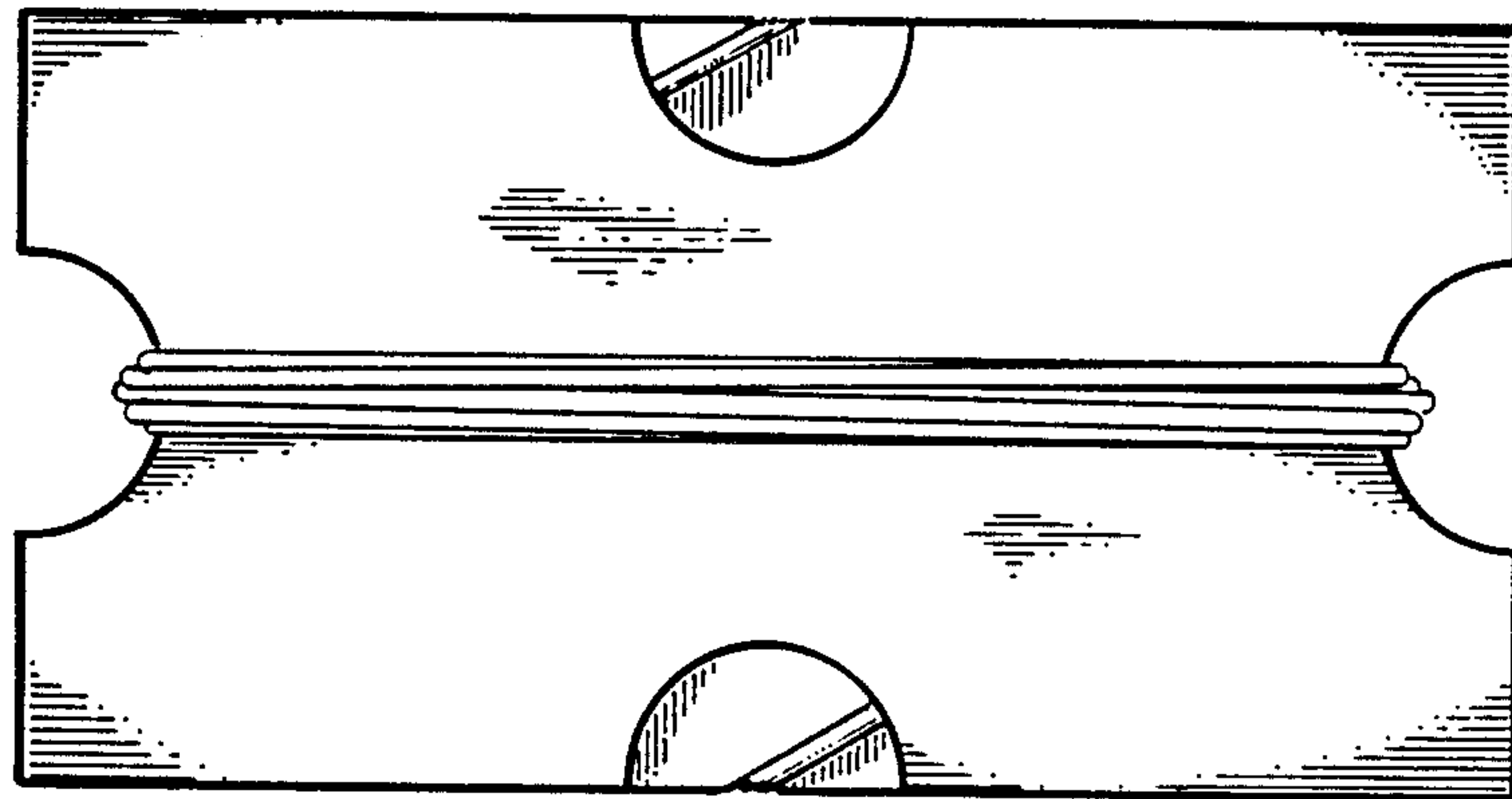


Fig. 4

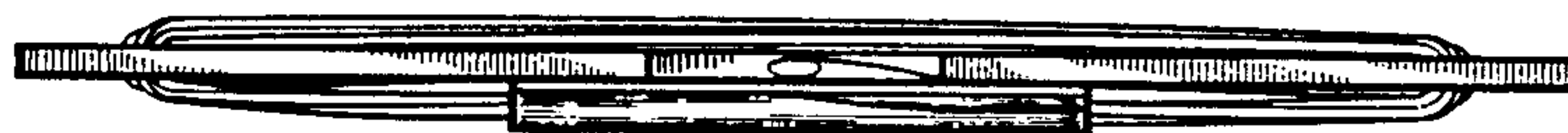


Fig. 5