

[54] BRACKET FOR FLASHLIGHT

[76] Inventor: Edward Janesko, 309 Cleveland Ave., Hasbrouck Heights, N.J. 07604

[\*\*] Term: 14 Years

[21] Appl. No.: 27,692

[22] Filed: Mar. 18, 1987

[52] U.S. Cl. .... D26/138; D8/396

[58] Field of Search ..... D26/138, 139, 140; D8/349, 382, 394, 395, 396; 248/225.1, 225.31, 231.7, 229, 231, 228, 305, 74.2, 67.5

[56] References Cited

U.S. PATENT DOCUMENTS

D. 253,091	10/1979	Fritz	.....	D8/394
D. 265,285	7/1982	Englert, Jr.	.....	D8/354
D. 275,178	8/1984	Yeater	.....	D8/349 X
1,861,151	5/1932	Buschman	.....	362/396 X
2,734,205	2/1956	Preiss	.....	D8/363 X
3,194,524	7/1965	Trumbull	.....	248/229 X
4,408,922	10/1983	D'Alessio	.....	D8/396 X

FOREIGN PATENT DOCUMENTS

799878 8/1958 United Kingdom ..... 24/336

Primary Examiner—Susan J. Lucas  
Attorney, Agent, or Firm—Pennie & Edmonds

[57] CLAIM

The ornamental design for the bracket for flashlight, as shown and described.

DESCRIPTION

FIG. 1 is a top, front, left side perspective view of a bracket for flashlight showing my new design;  
 FIG. 2 is a top plan view thereof;  
 FIG. 3 is a front elevational view thereof;  
 FIG. 4 is a right side elevational view thereof;  
 FIG. 5 is a rear elevational view thereof;  
 FIG. 6 is a bottom plan view thereof;  
 FIG. 7 is a top, front, left side perspective view of a second embodiment of my new design;  
 FIG. 8 is a top plan view thereof;  
 FIG. 9 is an elevational view thereof;  
 FIG. 10 is a right side elevational view thereof;  
 FIG. 11 is a rear elevation view thereof;  
 FIG. 12 is a bottom plan view thereof.  
 The Flashlight is showing broken lines in FIGS. 1 and 7 for illustrious purposes only.

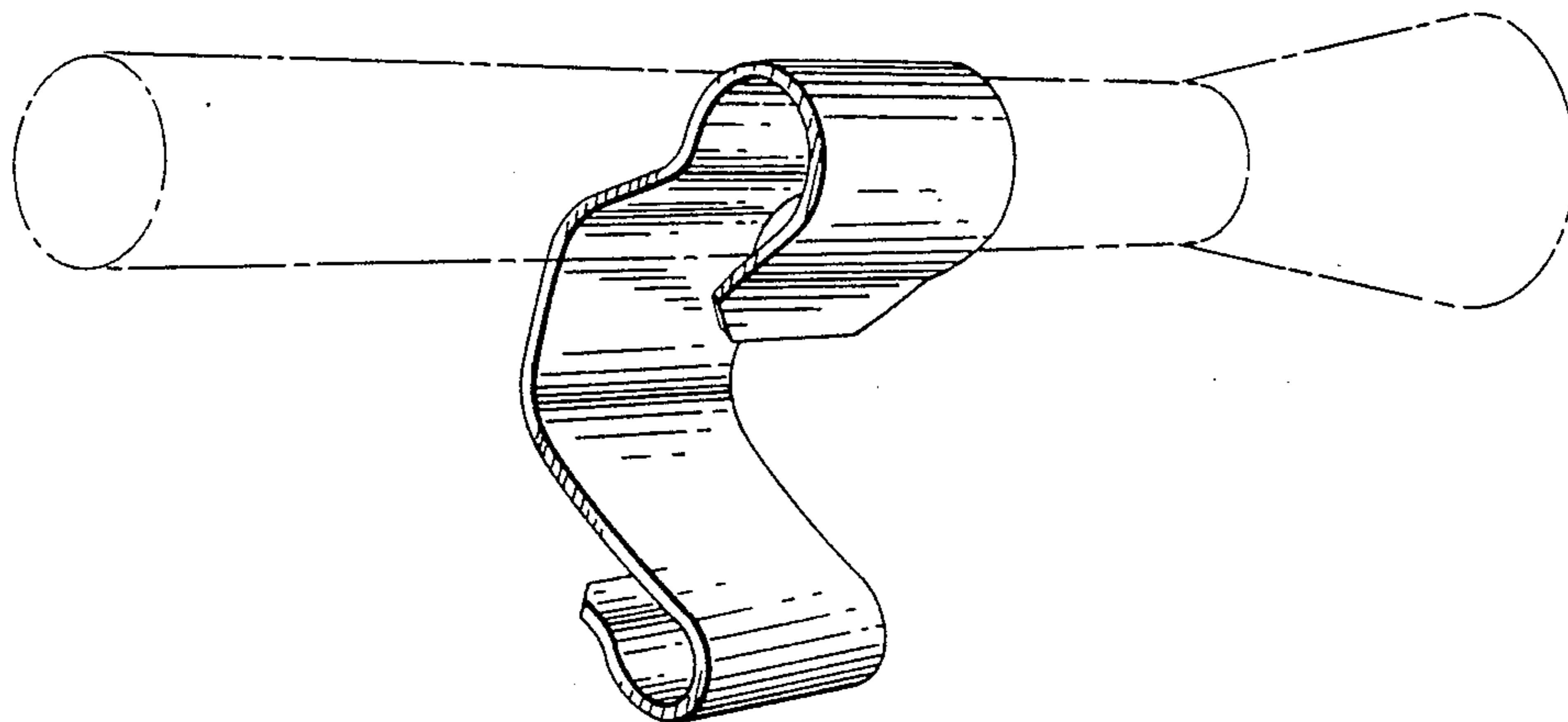


FIG. 1

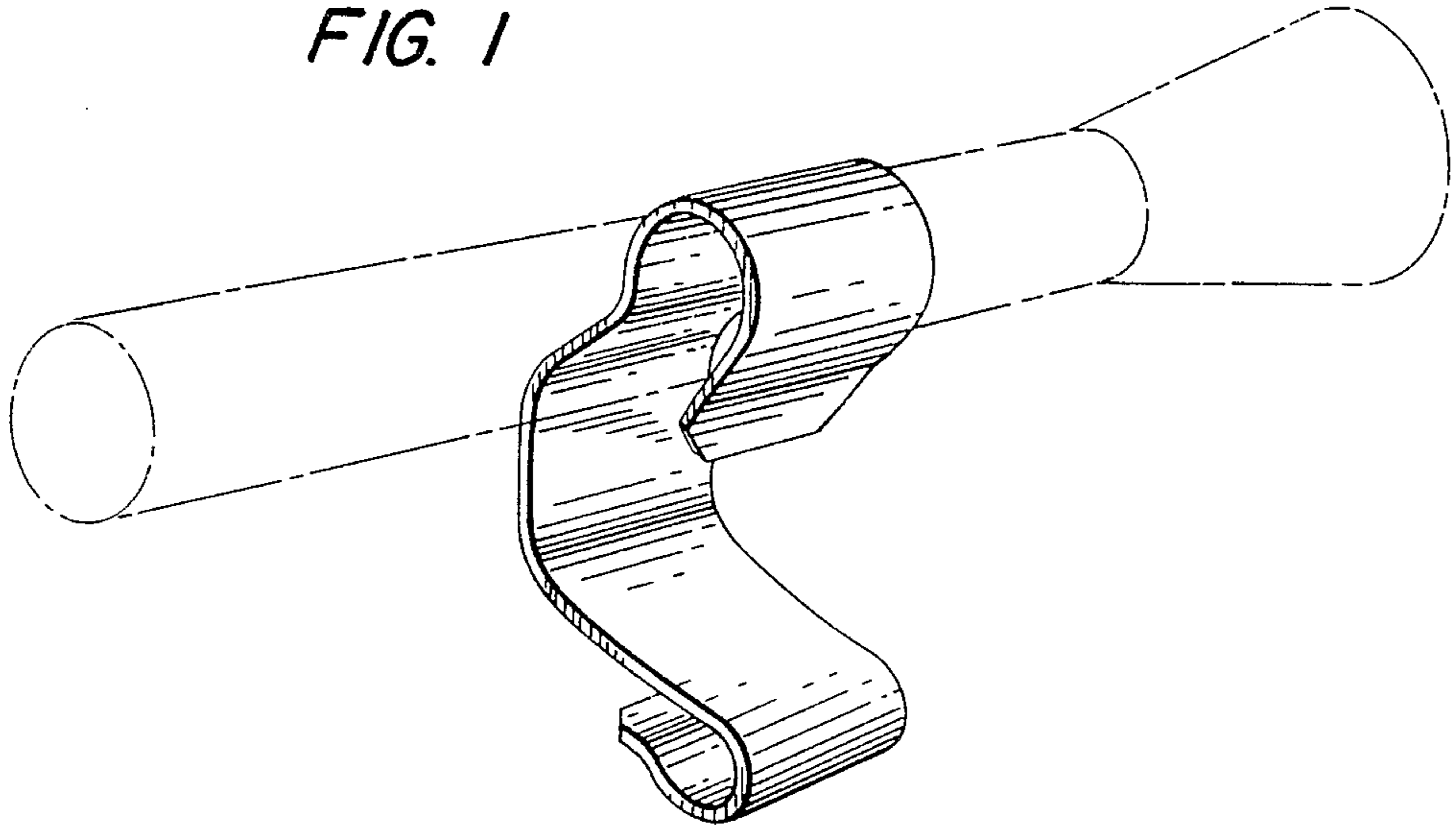


FIG. 2

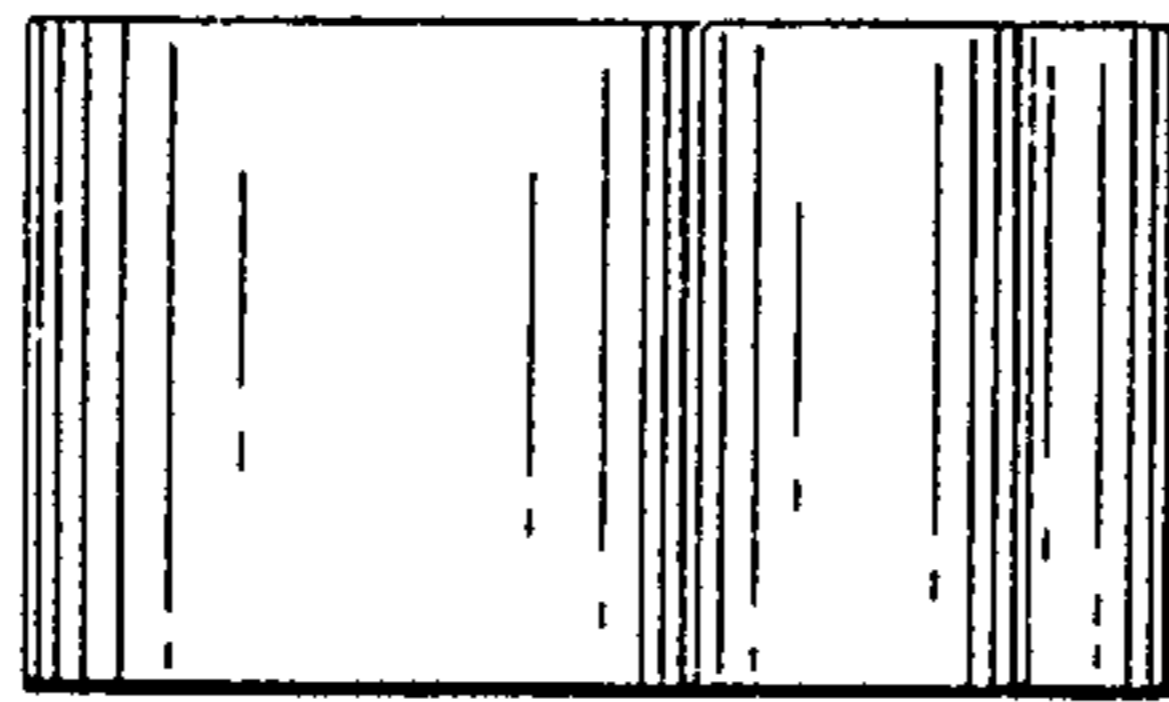


FIG. 3

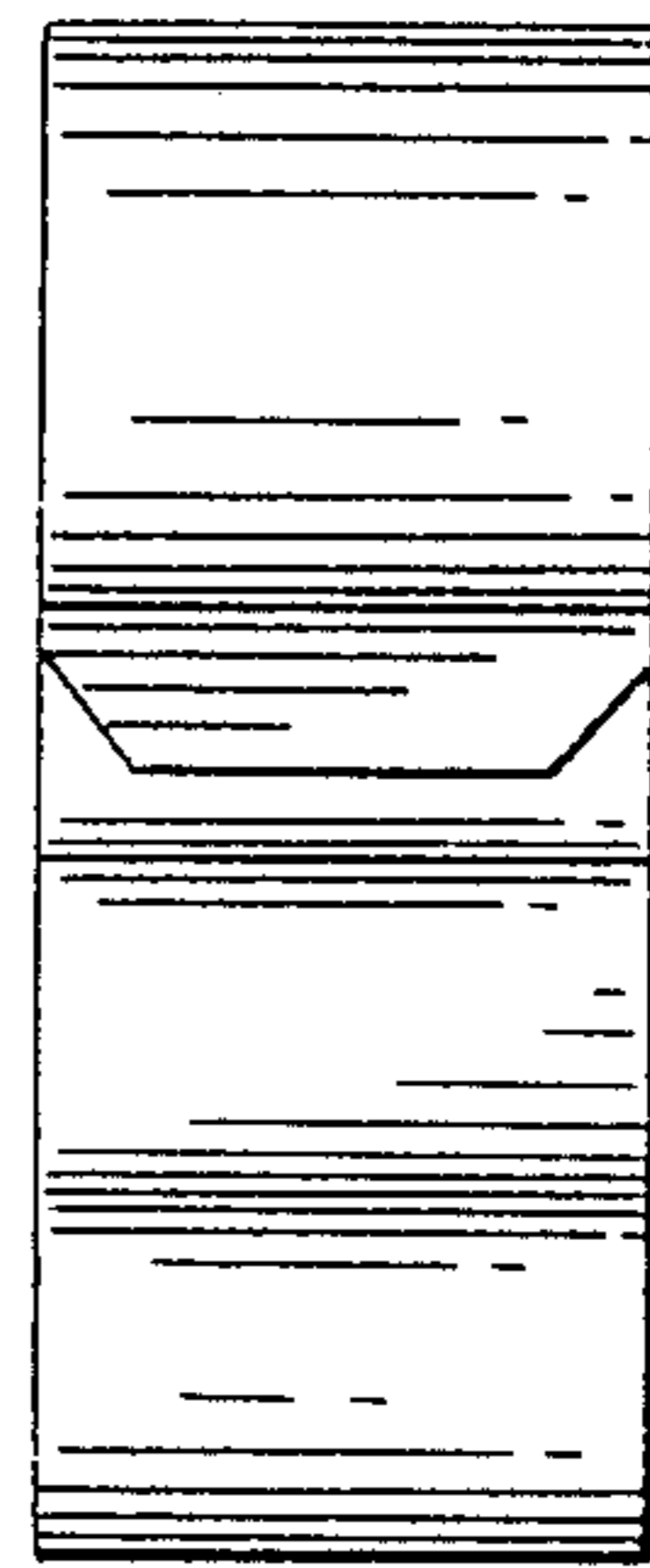


FIG. 4

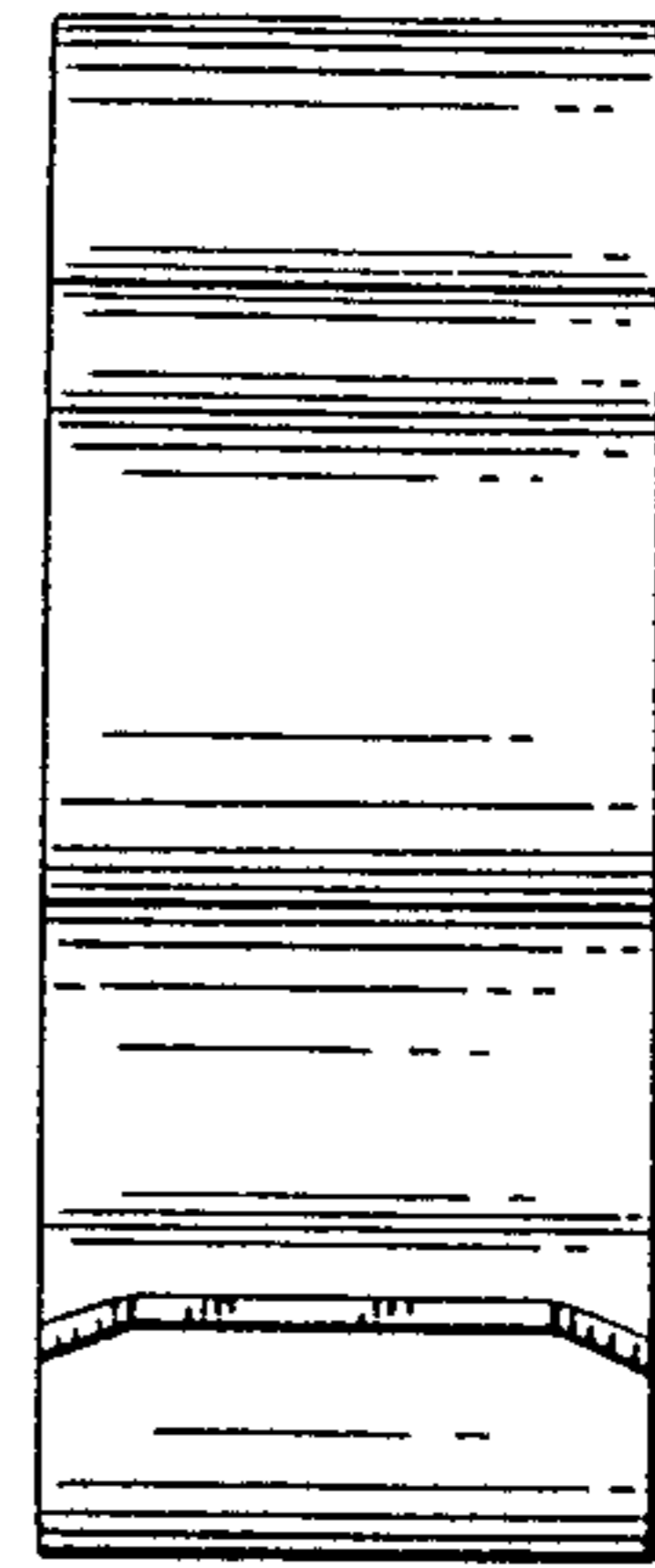
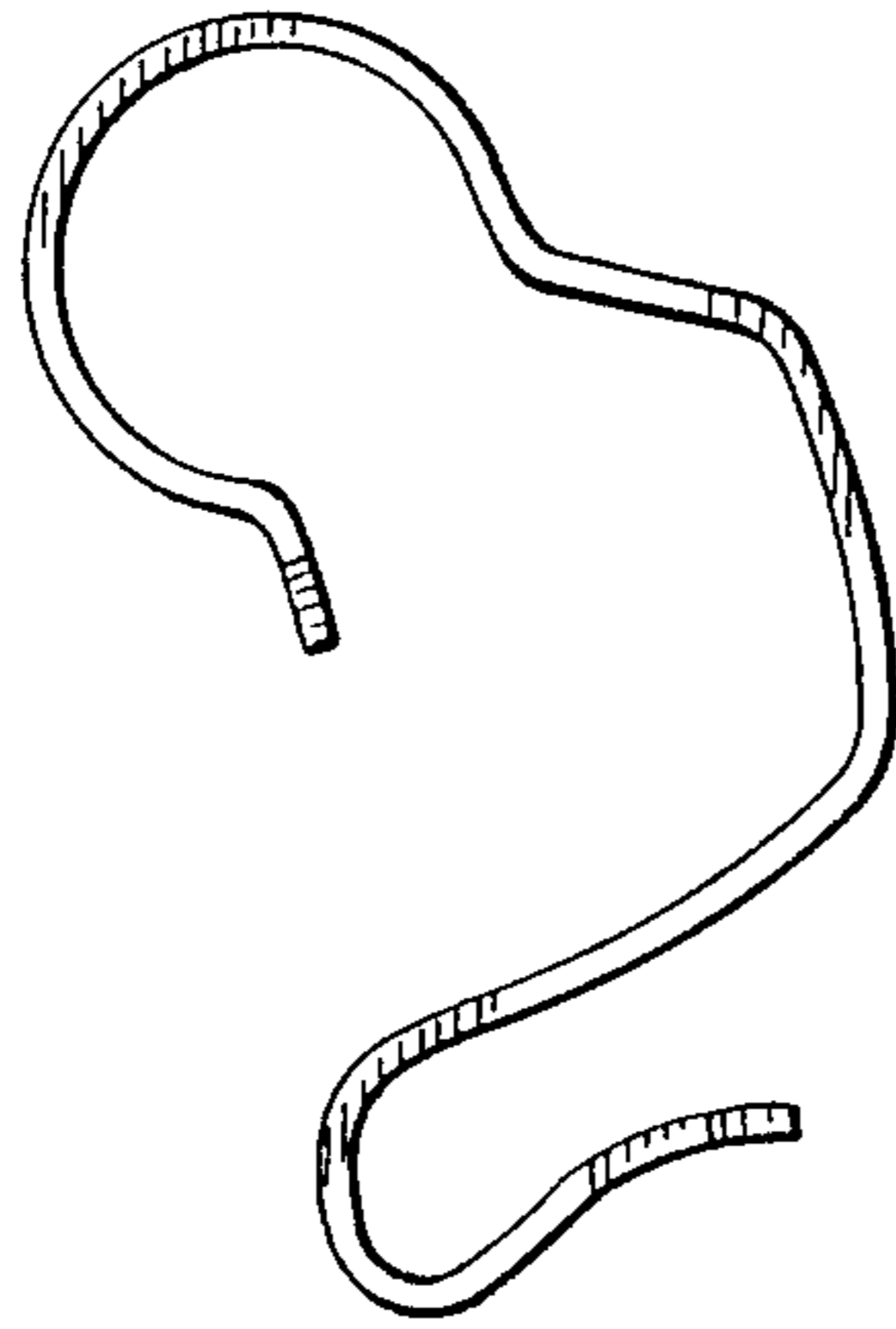


FIG. 5

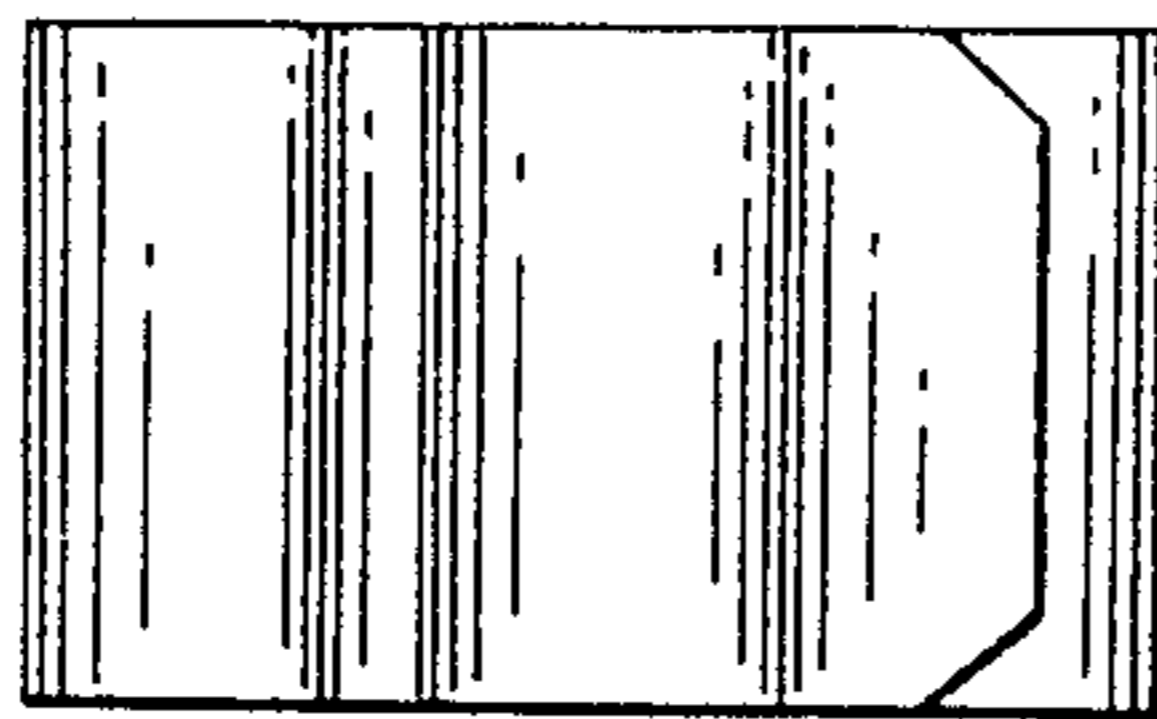


FIG. 6

FIG. 7

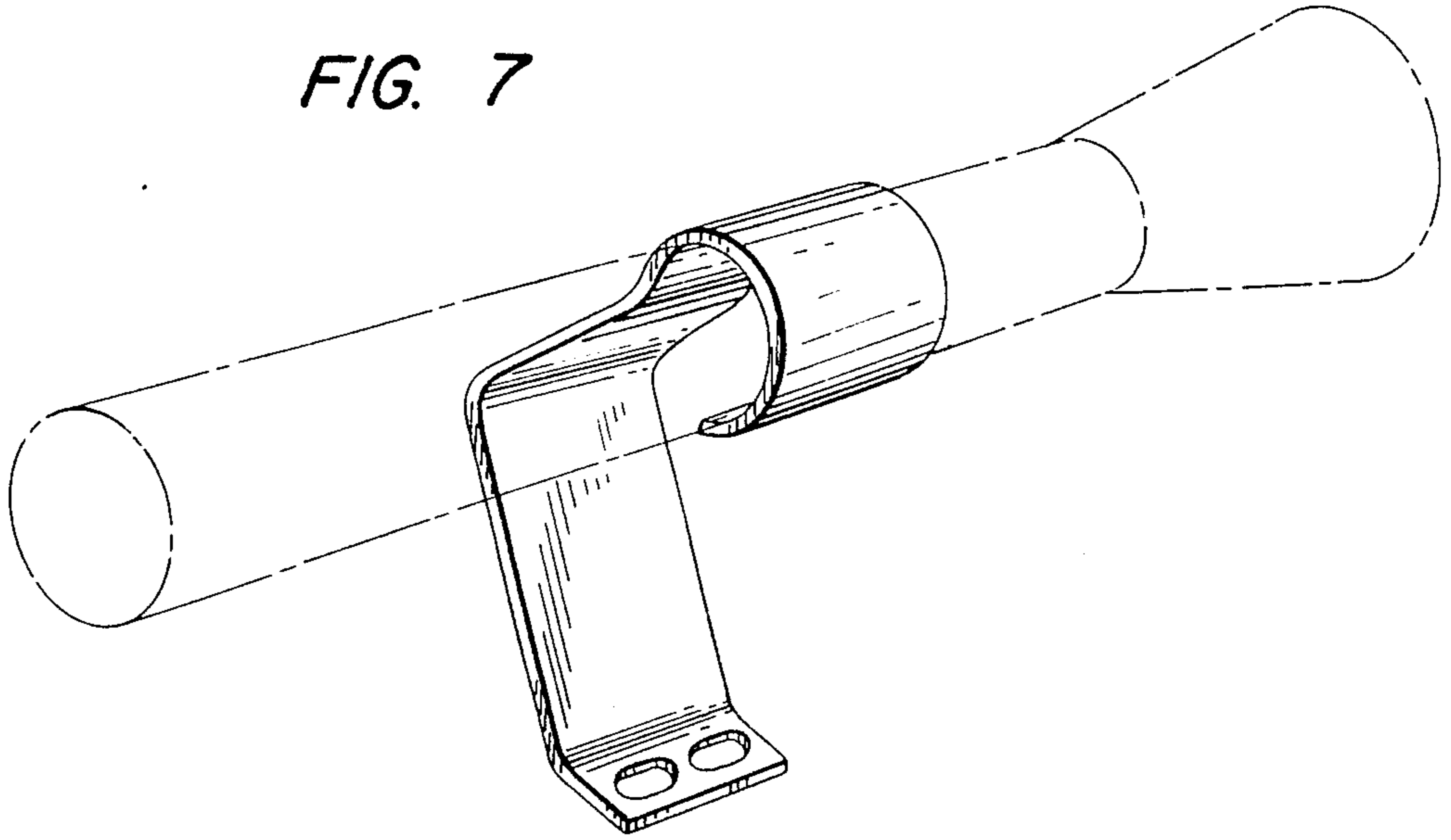


FIG. 8

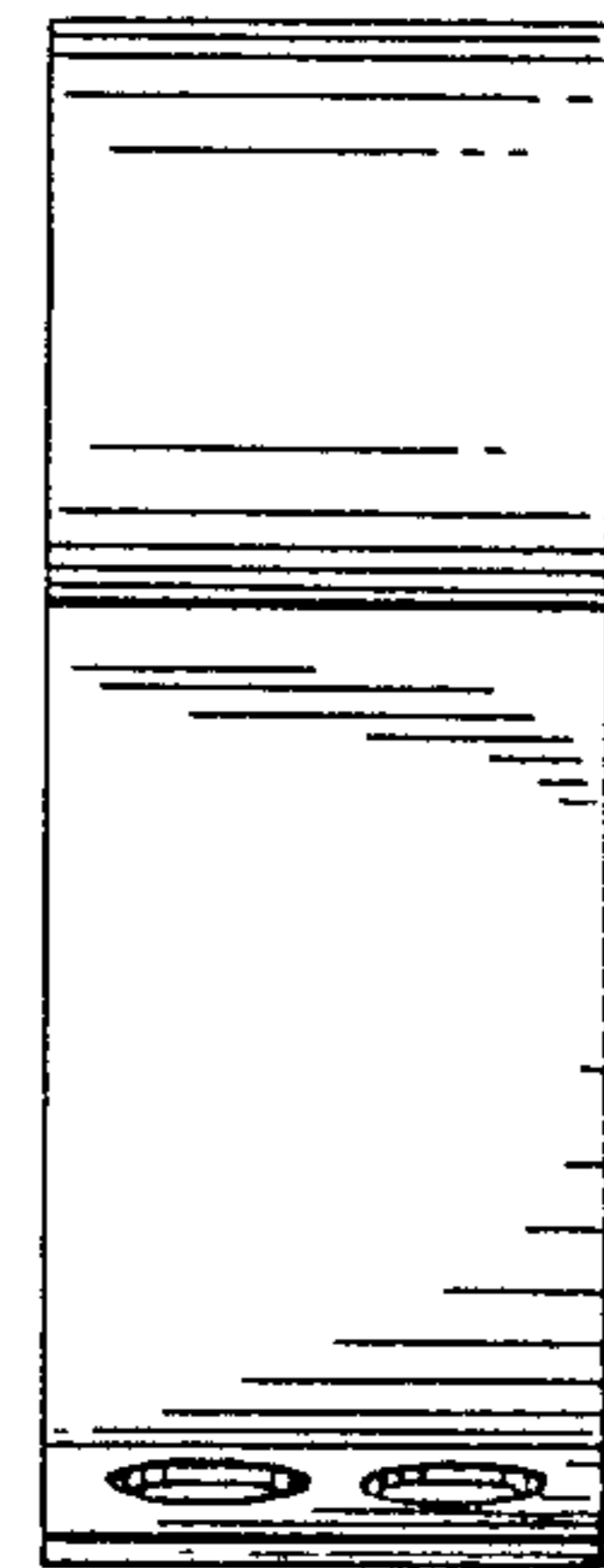
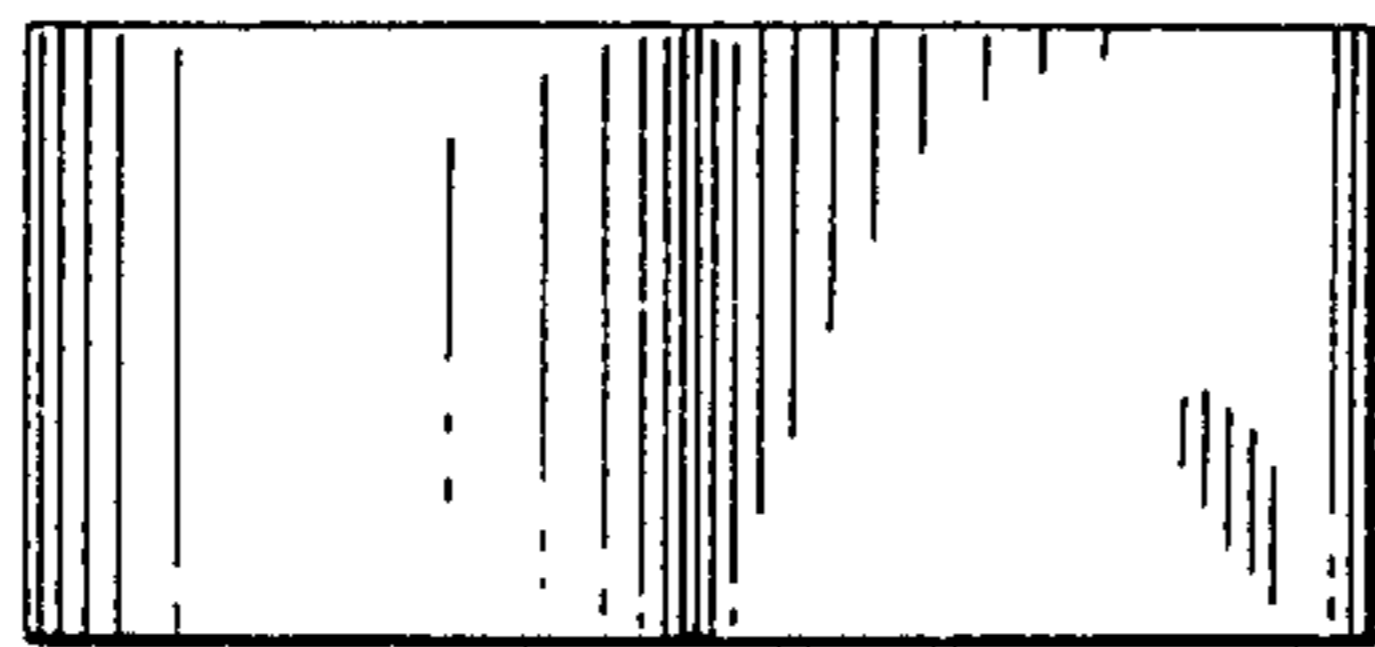


FIG. 9

FIG. 10

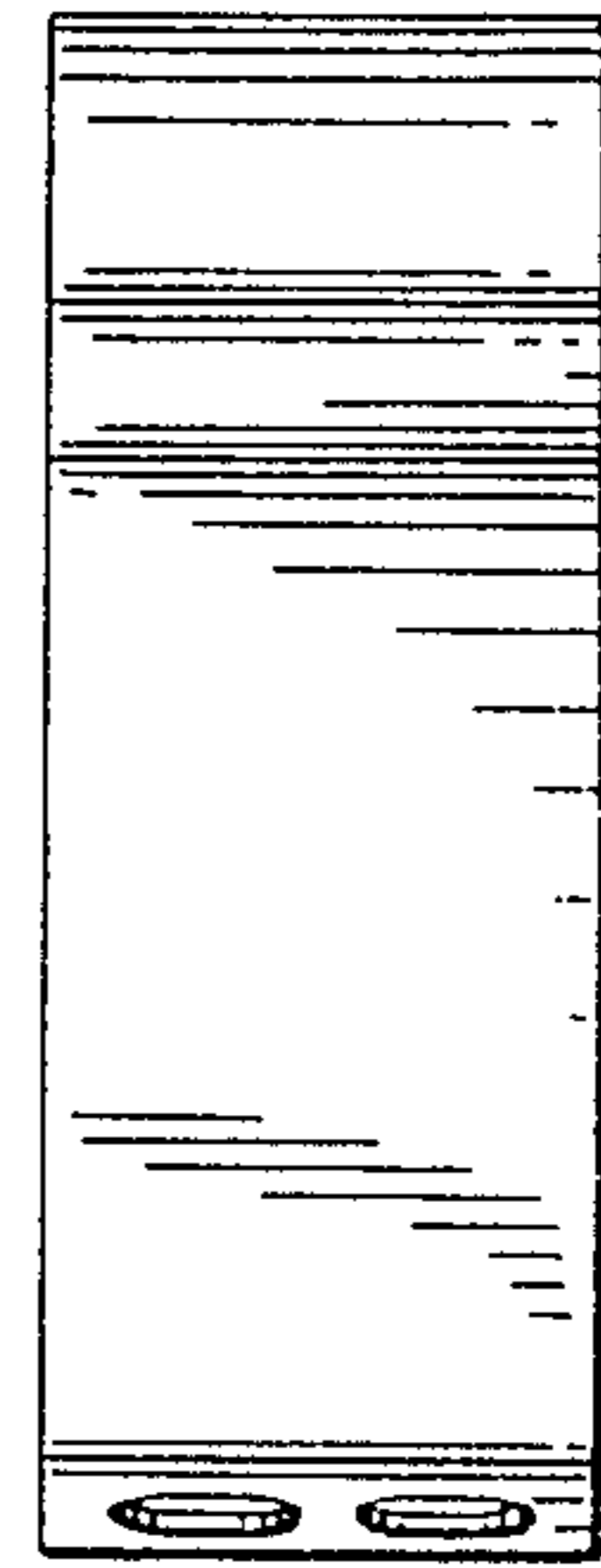
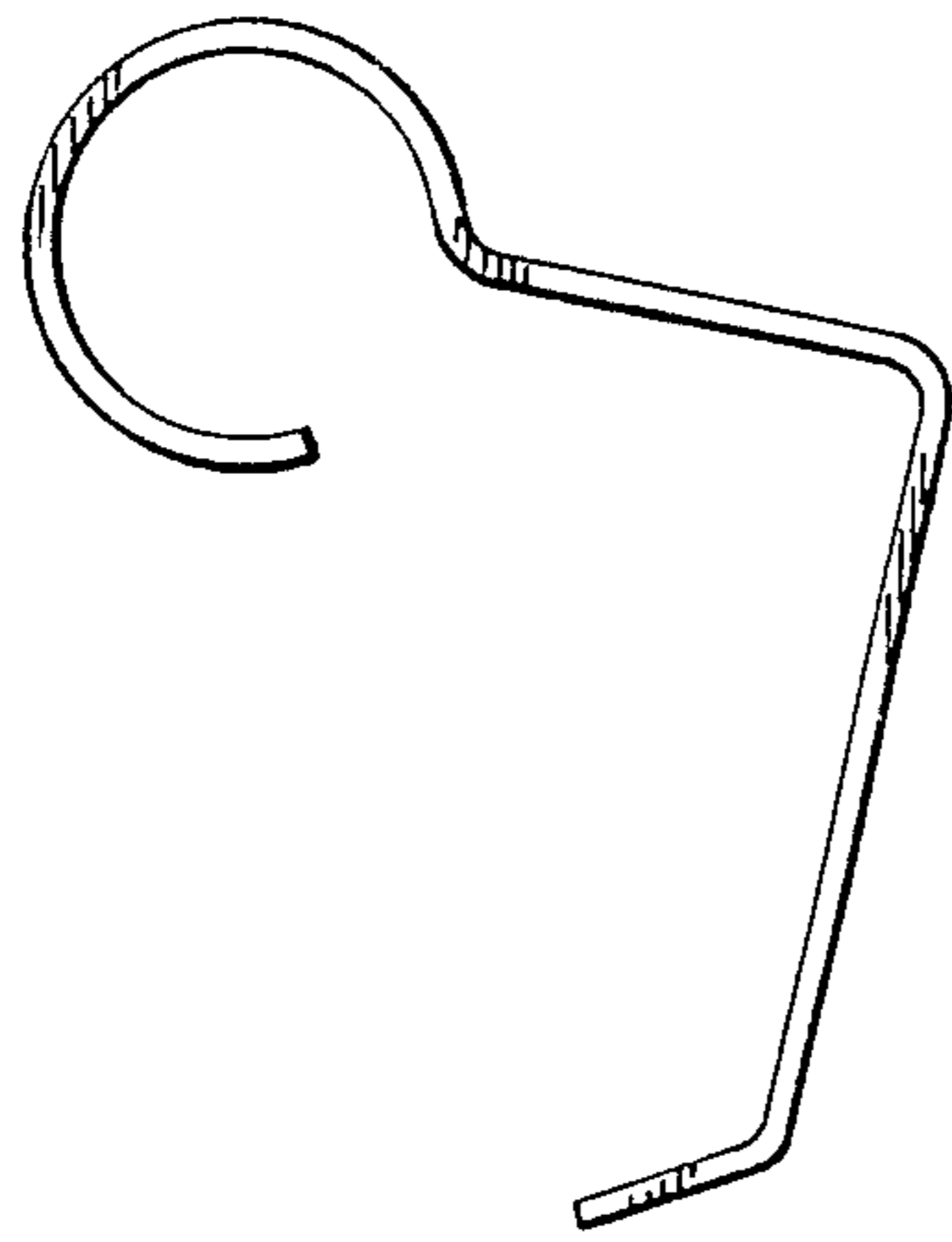


FIG. 11

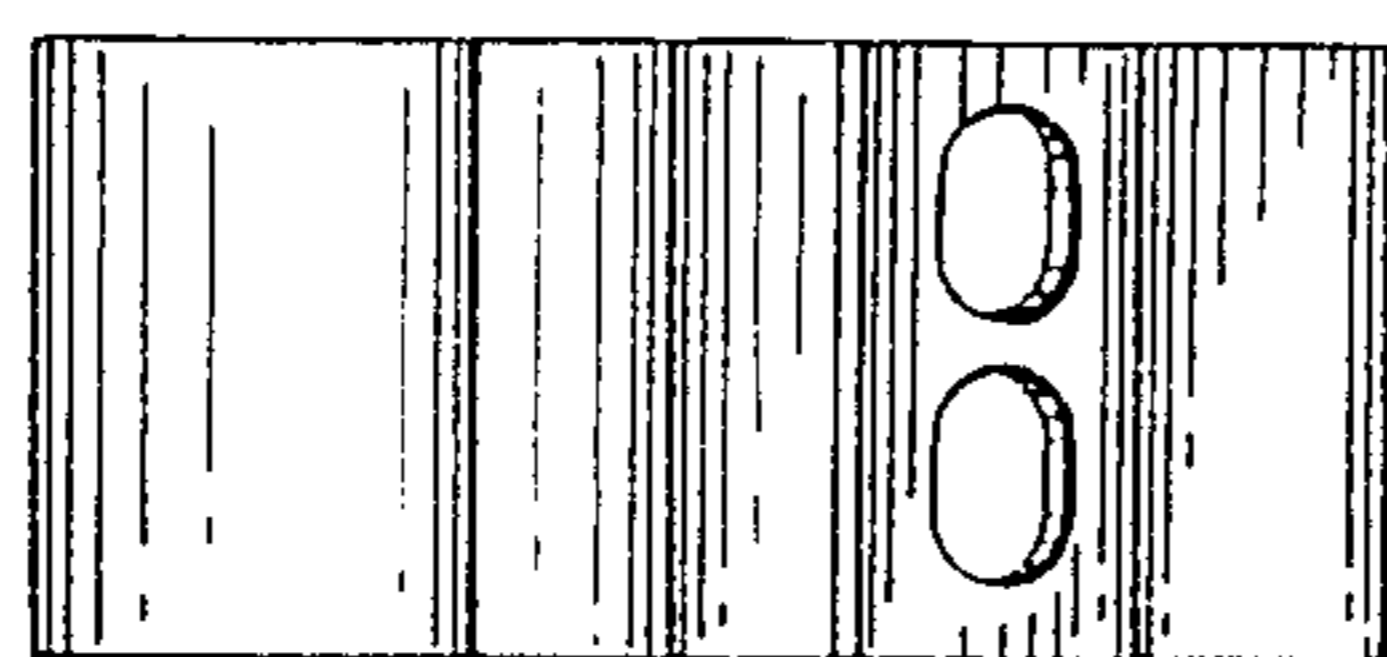


FIG. 12