

[54] **ADJUSTABLE FLOOR LAMP**

[75] **Inventor: Gianfranco Frattini, Milan, Italy**

[73] **Assignee: Artemide S.p.A., Milan, Italy**

[**] **Term: 14 Years**

[21] **Appl. No.: 280,619**

[22] **Filed: Dec. 5, 1988**

[30] **Foreign Application Priority Data**

Jun. 10, 1988 [IT] Italy 21407/88[U]

[52] **U.S. Cl. D26/66**

[58] **Field of Search D26/93, 102-112,
D26/61, 63, 64, 65-66; 362/410-414, 418, 419,
427, 269**

[56] **References Cited**

U.S. PATENT DOCUMENTS

D. 152,592 2/1949 Carey D26/111
D. 292,618 11/1987 Mackin D26/106
2,591,888 4/1952 Steffen 362/410 X
3,160,755 12/1964 Wolfe 362/413 X

4,716,508 12/1987 Kramer et al. 362/431

OTHER PUBLICATIONS

Home Lighting & Accessories, 6-1987, p. 194, Halogen Floor Lamp.

Primary Examiner—Susan J. Lucas

Attorney, Agent, or Firm—Guido Modiano; Albert Josif

[57] **CLAIM**

The ornamental design for adjustable floor lamp, as shown and described.

DESCRIPTION

FIG. 1 is a front perspective view of an adjustable floor lamp showing my new design;

FIG. 2 is a front elevational view thereof;

FIG. 3 is a top plan view thereof;

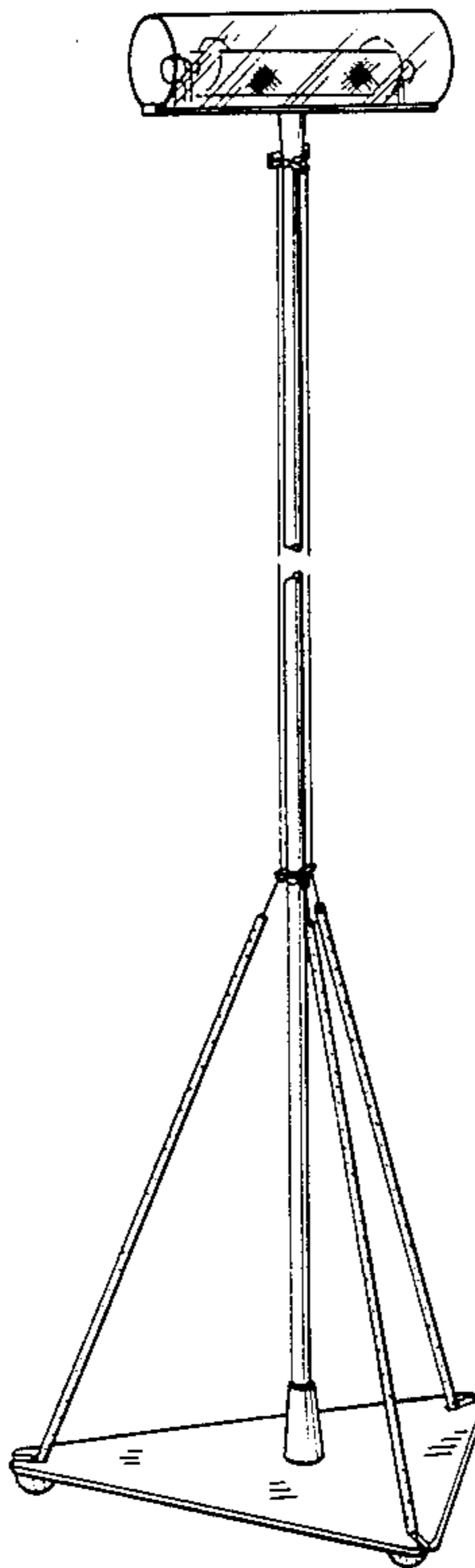
FIG. 4 is a bottom plan view thereof;

FIG. 5 is an elevational view of another side thereof;

FIG. 6 is a view thereof from above;

FIG. 7 is a view thereof from below.

The standard and supporting wires are broken away to indicate indeterminate length.



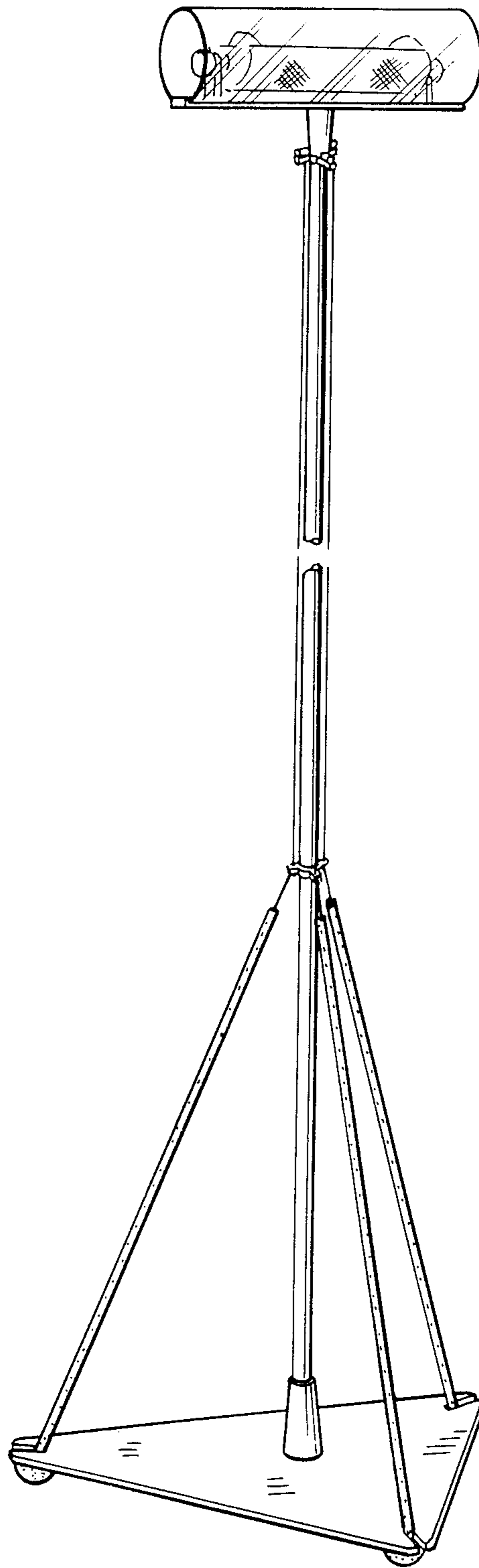


FIG. 1

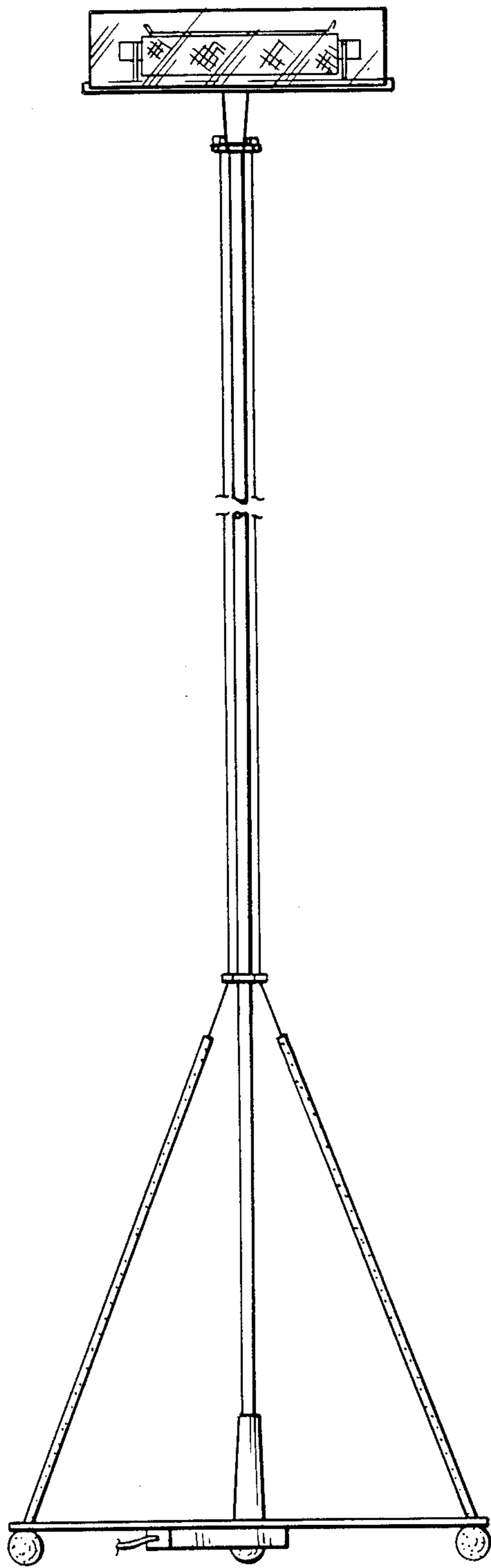


Fig. 2

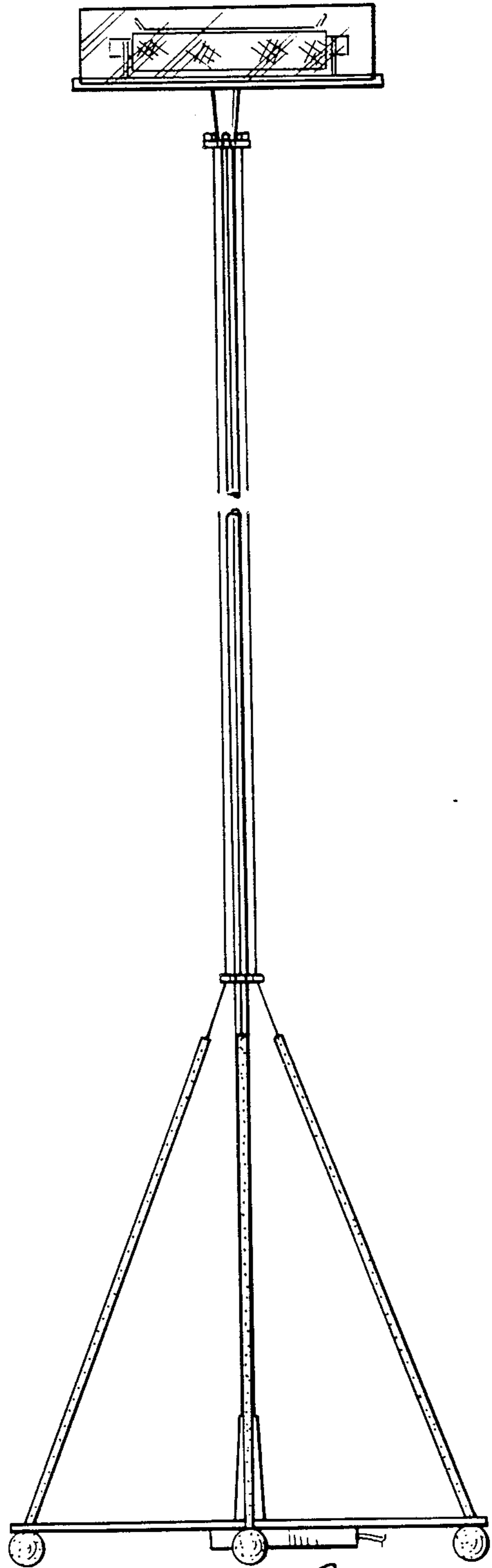


Fig. 3

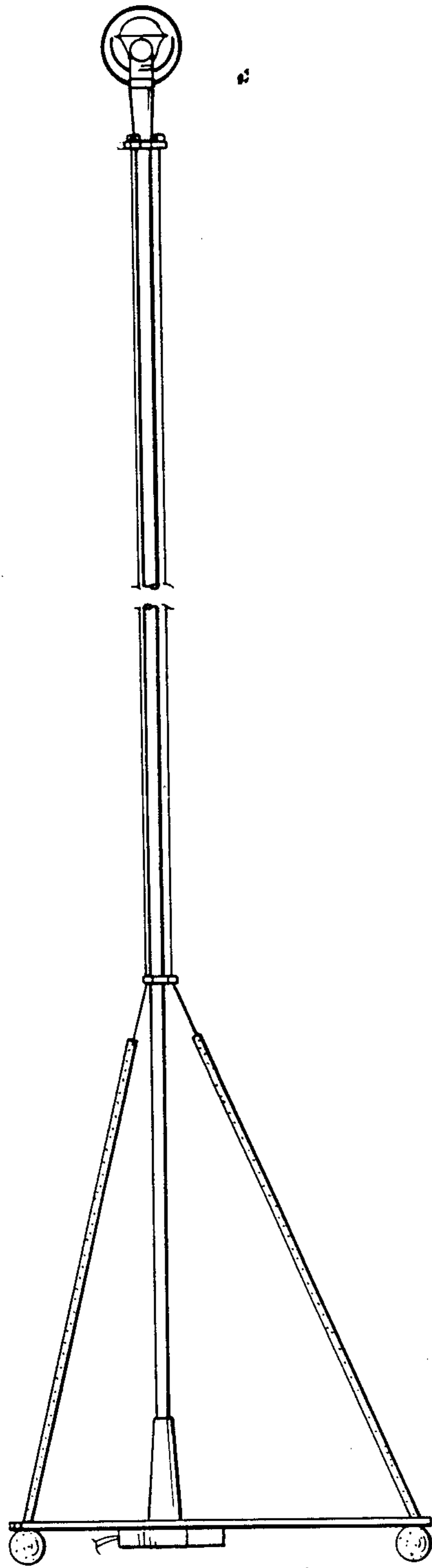


FIG. 4

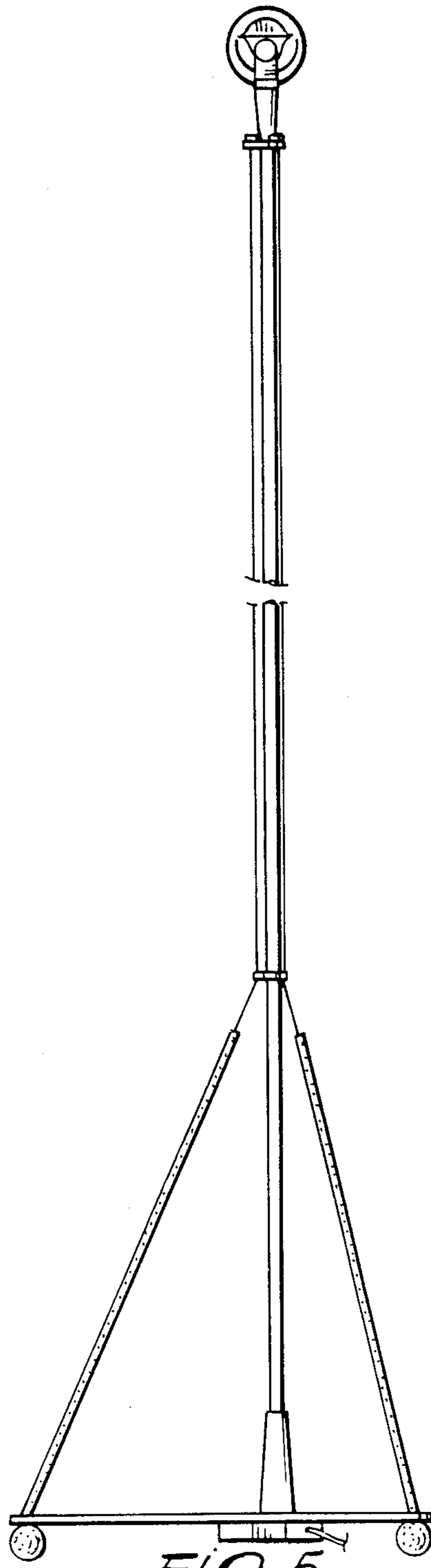


FIG. 5

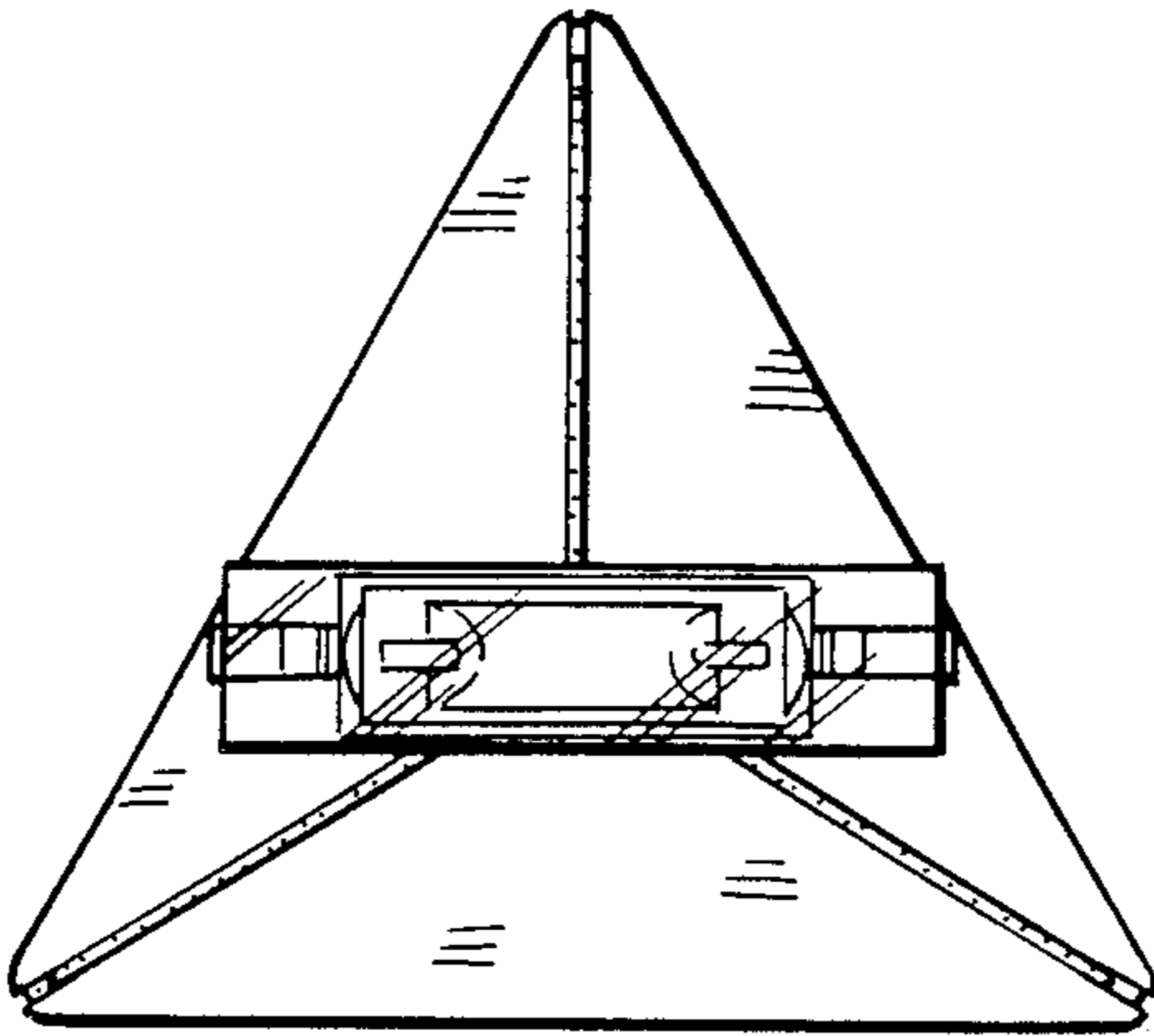


Fig. 6

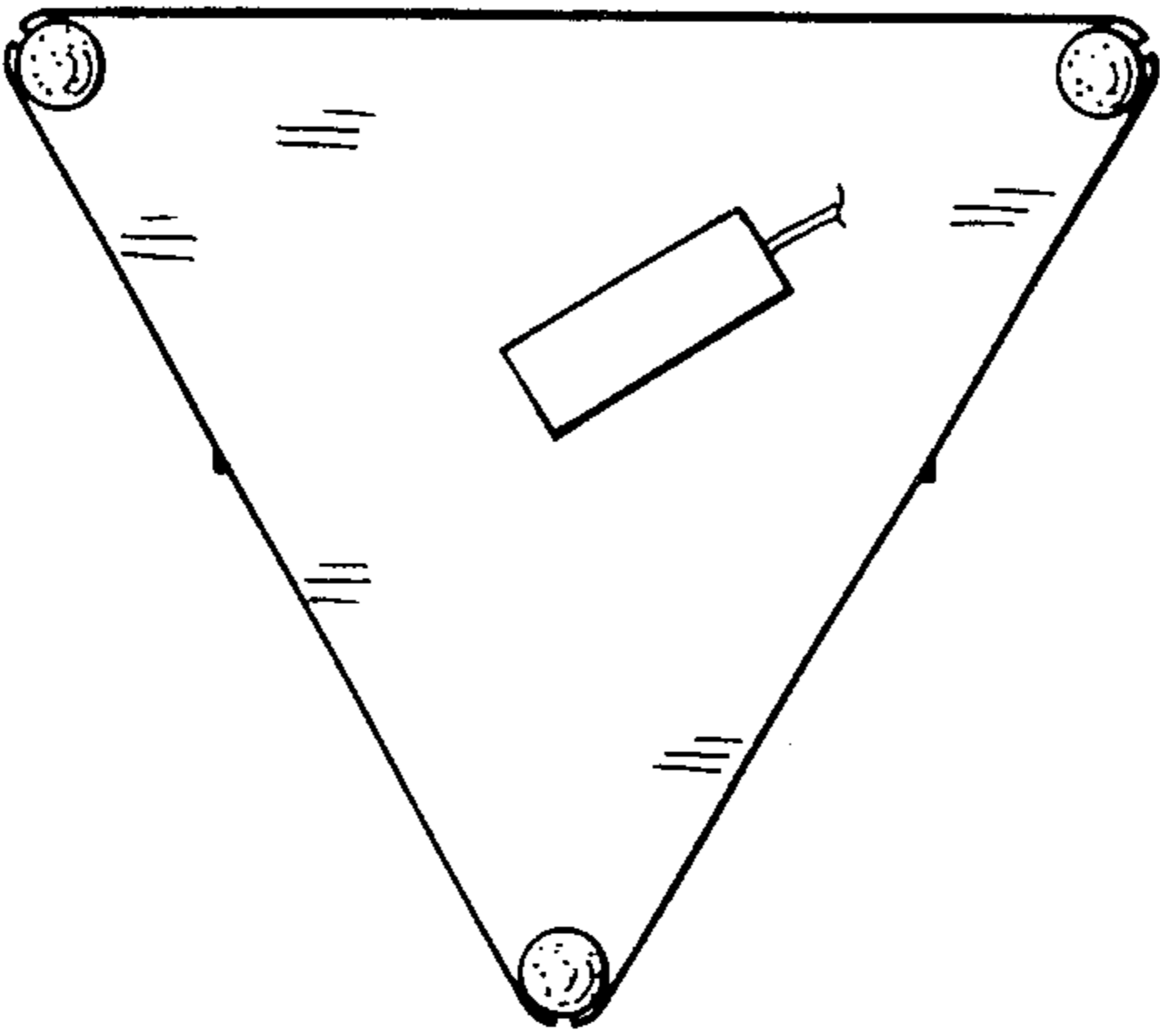


Fig. 7