

[54] TABLE LAMP

[76] Inventor: Daniele Menetto, Via per Limbiate, 60, 20020 Solaro (Milano), Italy

[**] Term: 14 Years

[21] Appl. No.: 281,480

[22] Filed: Dec. 8, 1988

[30] Foreign Application Priority Data

Jul. 15, 1988 [WO] World Int. Prop. O. DM/011354

[52] U.S. Cl. D26/65

[58] Field of Search D26/60-66; 362/410-414, 269, 418, 419, 427, 428, 429, 401, 402

[56] References Cited

U.S. PATENT DOCUMENTS

- D. 215,336 9/1969 Portman et al. D26/65
- 3,790,773 2/1974 Sapper 362/401
- 4,652,068 3/1987 Boekholt 362/432 X

OTHER PUBLICATIONS

Abitare Supplement #3, "Lamps", Jul./Aug. 1981, p. 8, adjustable lamp.

Primary Examiner—Susan J. Lucas
Attorney, Agent, or Firm—Bucknam and Archer

[57] CLAIM

The ornamental design for table lamp, as shown and described.

DESCRIPTION

FIG. 1 is a top, front, right side elevational view of a table lamp showing my new design;
 FIG. 2 is a rear elevational view thereof;
 FIG. 3 is a left side elevational view thereof;
 FIG. 4 is a right side elevational view thereof;
 FIG. 5 is a front elevational view thereof;
 FIG. 6 is a top plan view thereof on an enlarged scale;
 FIG. 7 is a bottom plan view thereof on an enlarged scale.

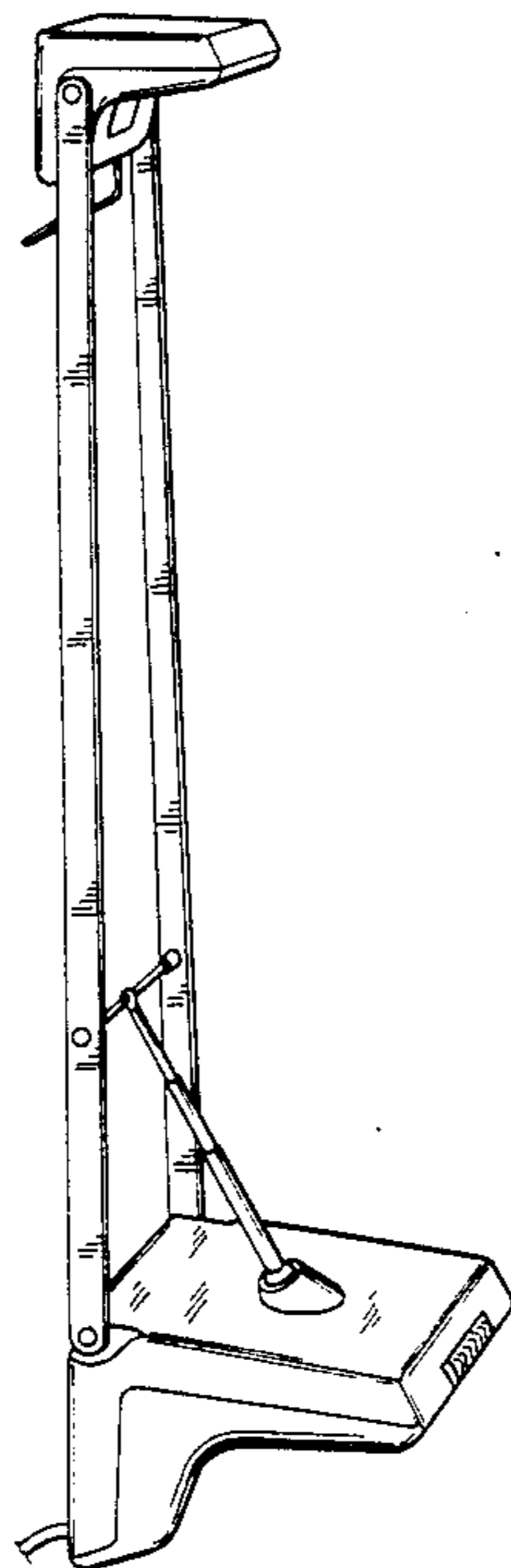
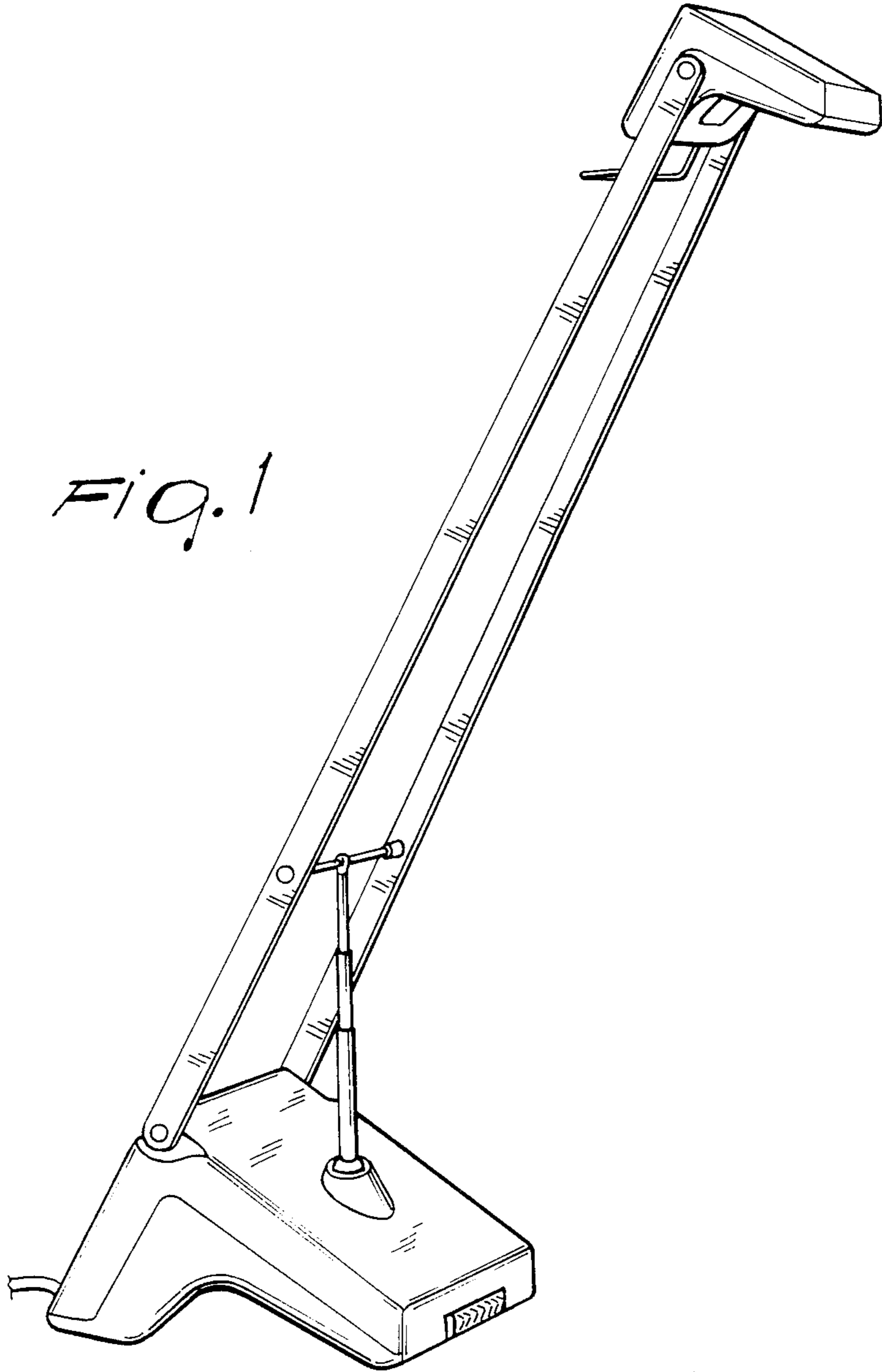


FIG. 1



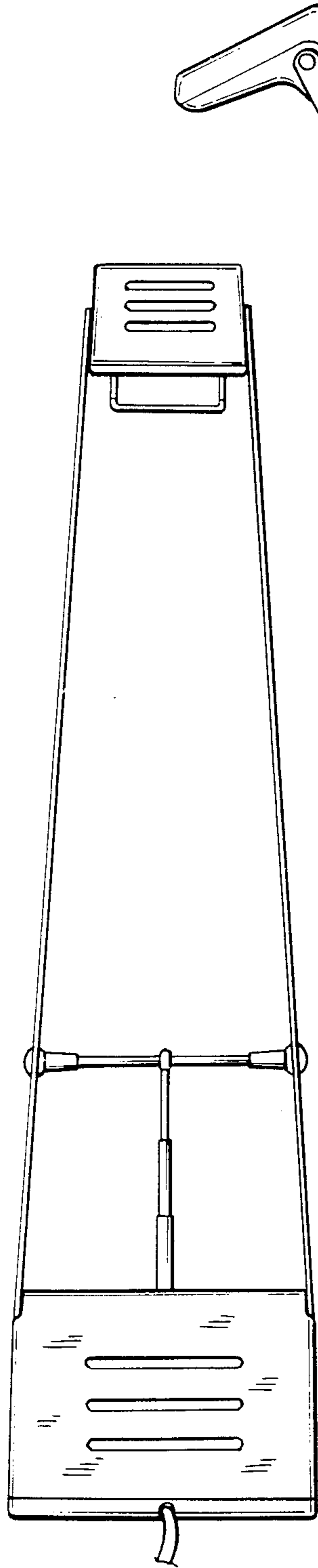


FIG. 2

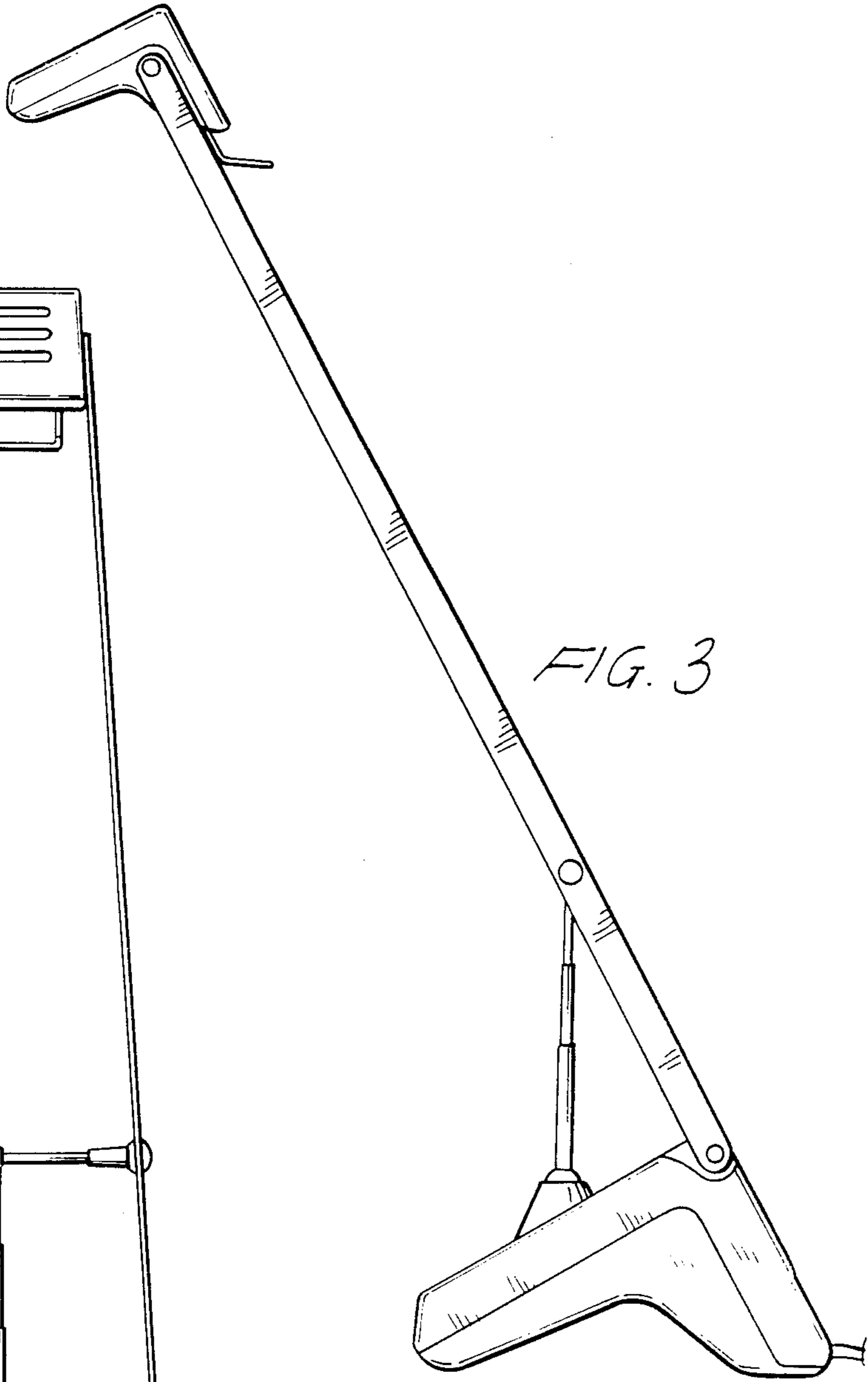


FIG. 3

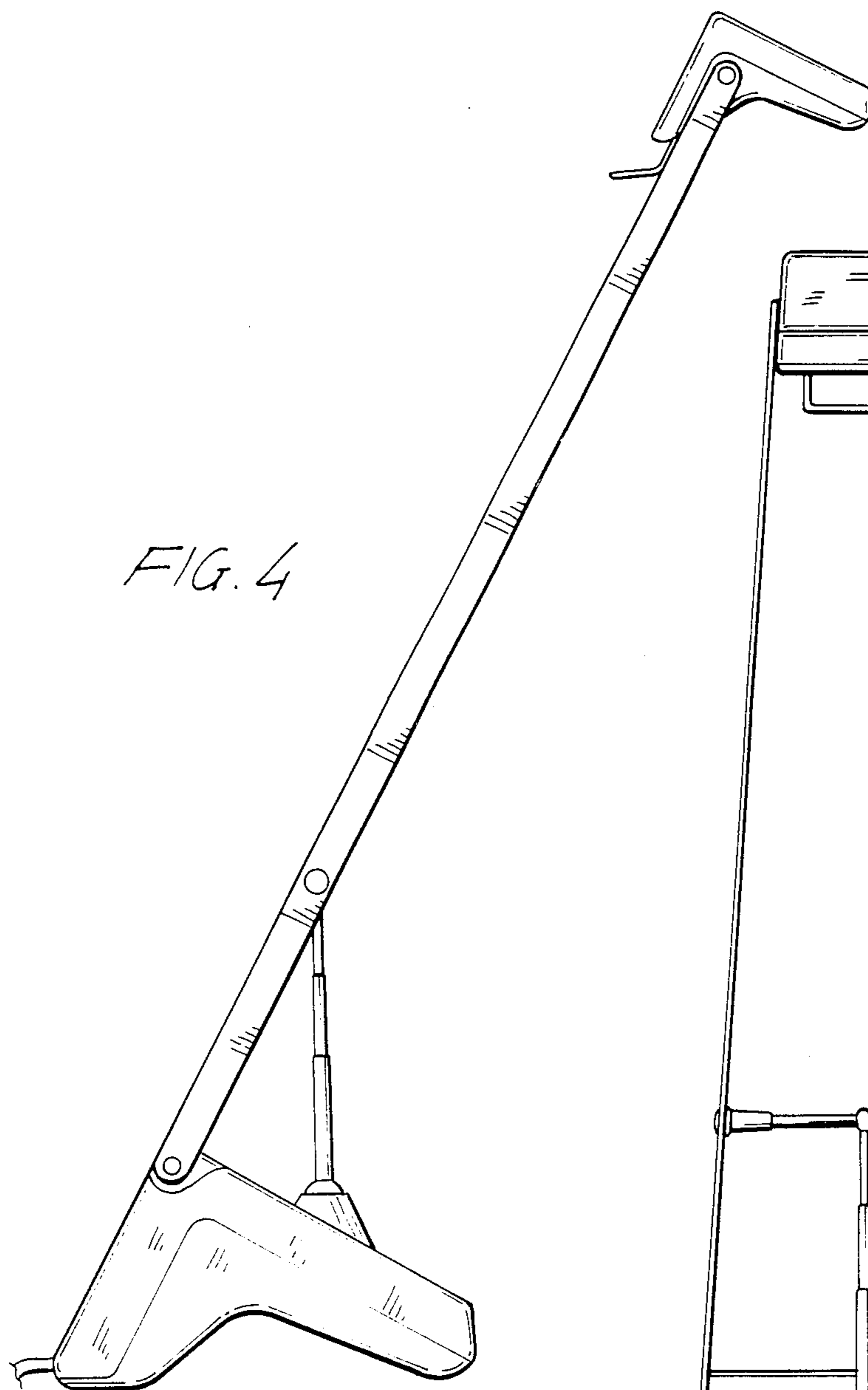


FIG. 4

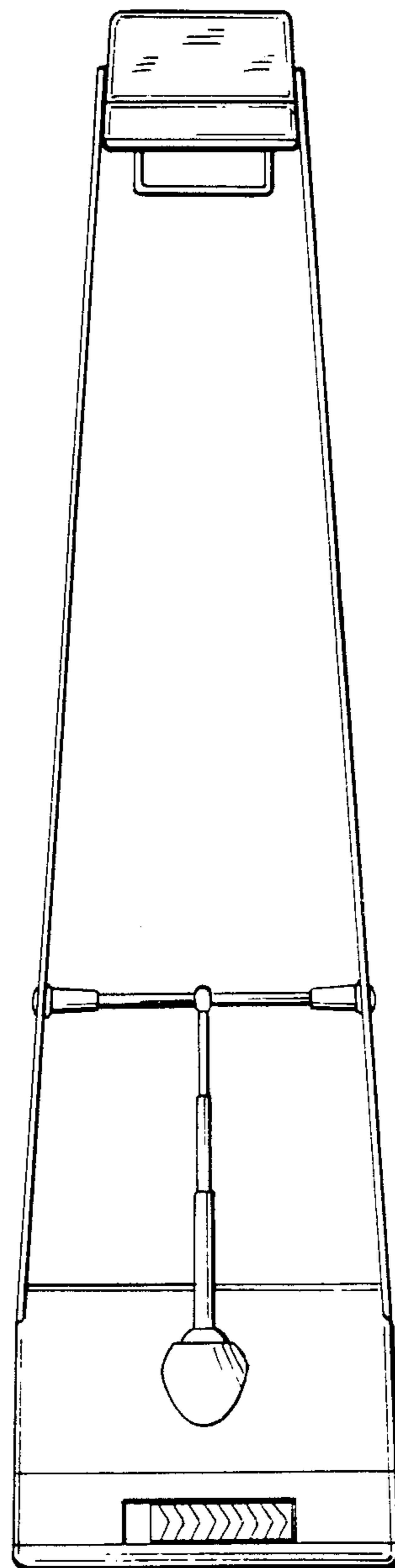


FIG. 5

FIG. 6

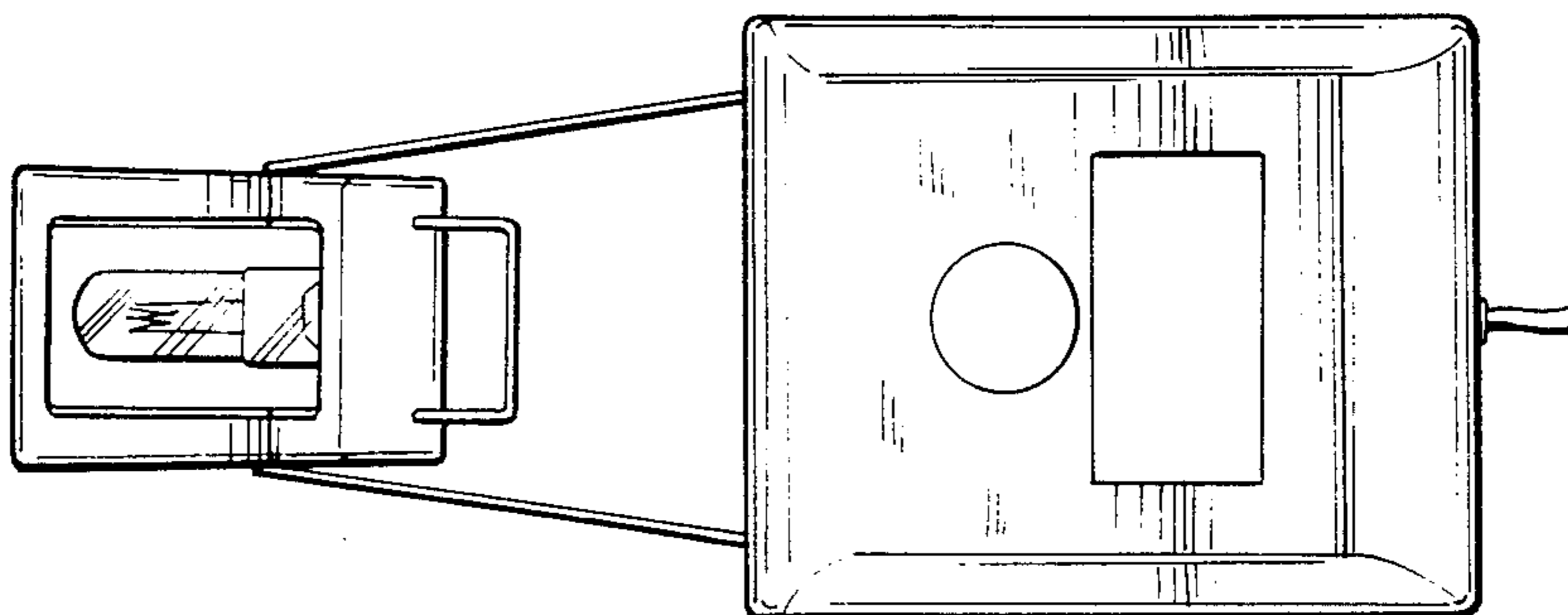
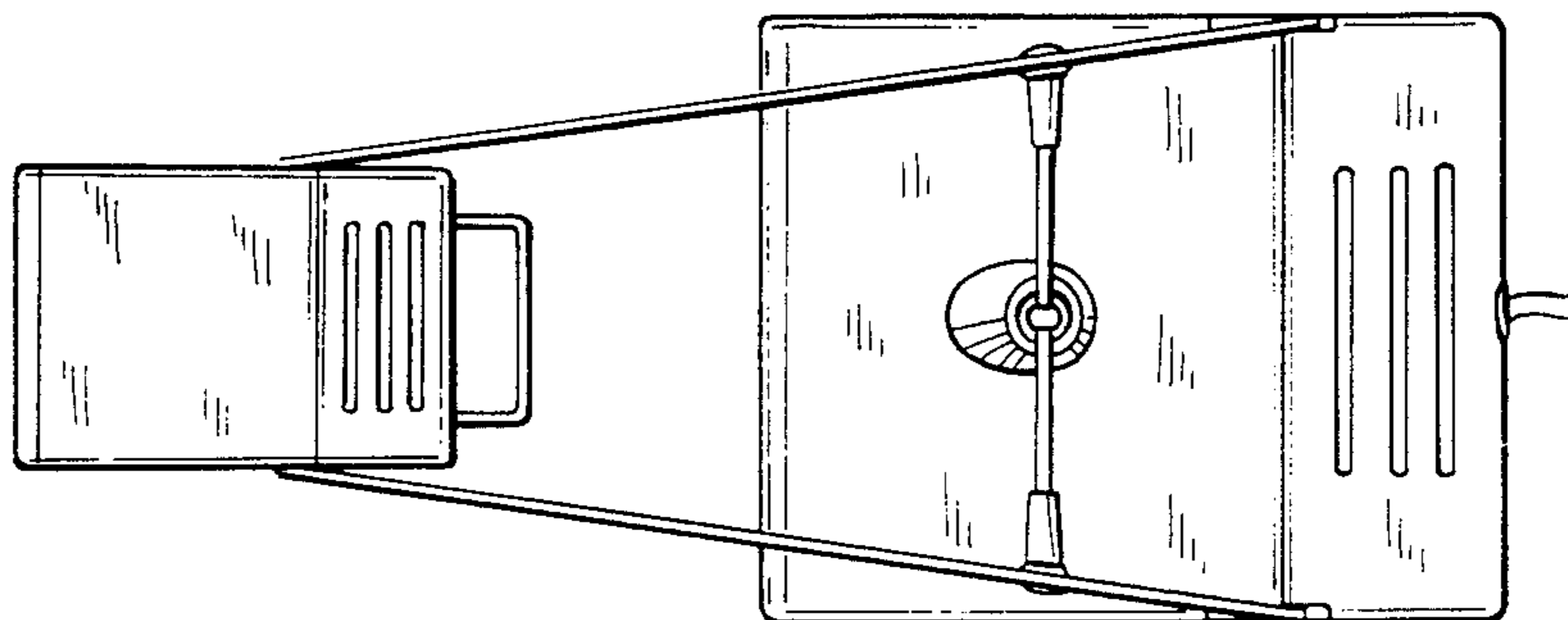


FIG. 7