

[54] PICTURE LIGHT

[75] Inventors: Keith N. Muller; Frederic L. R. Jackman, both of Toronto, Canada

[73] Assignee: Invicta Products Incorporated, Toronto, Canada

[**] Term: 14 Years

[21] Appl. No.: 102,520

[22] Filed: Sep. 24, 1987

[30] Foreign Application Priority Data

Mar. 27, 1987 [CA] Canada 27-03-87-9

[52] U.S. Cl. D26/65; D26/92

[58] Field of Search D26/60-66, D26/72, 80-92; 362/432, 418, 419, 427, 428, 429, 269

[56] References Cited

U.S. PATENT DOCUMENTS

| | | | | |
|------------|---------|-----------|-------|---------|
| D. 72,214 | 3/1927 | Lieberman | | D26/63 |
| D. 117,176 | 10/1939 | Holden | | D26/60 |
| D. 194,800 | 3/1963 | Monroe | | D26/61 |
| D. 278,555 | 4/1985 | Cummings | | D26/60 |
| 4,692,850 | 9/1987 | LeDoux | | 362/432 |

FOREIGN PATENT DOCUMENTS

1098830 1/1968 United Kingdom 362/414

OTHER PUBLICATIONS

Home Lighting & Accessories, 10-1984, p. 163, wall lamp.

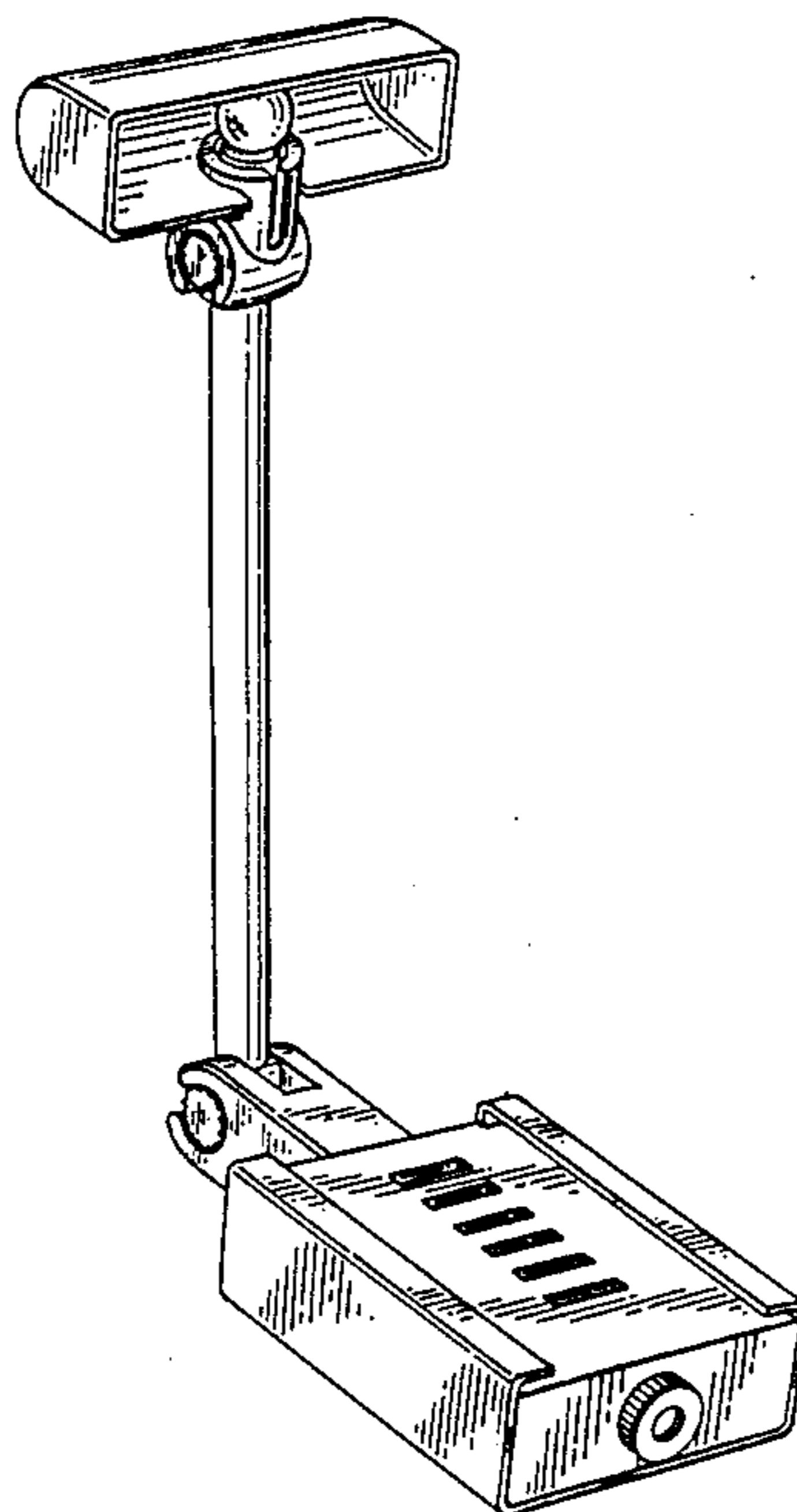
Primary Examiner—Susan J. Lucas
Attorney, Agent, or Firm—Rogers, Bereskin & Parr

[57] CLAIM

The ornamental design for a picture light, as shown and described.

DESCRIPTION

FIG. 1 is a perspective view from the rear and above and to one side of a picture light showing a first embodiment of our new design;
 FIG. 2 is a perspective view from the front and below and to the opposite side thereof;
 FIG. 3 is a top plan view thereof;
 FIG. 4 is a perspective view from the rear and above and to one side of a second embodiment of our new design;
 FIG. 5 is a perspective view from the front and below and to the opposite side thereof;
 FIG. 6 is a top plan view thereof.



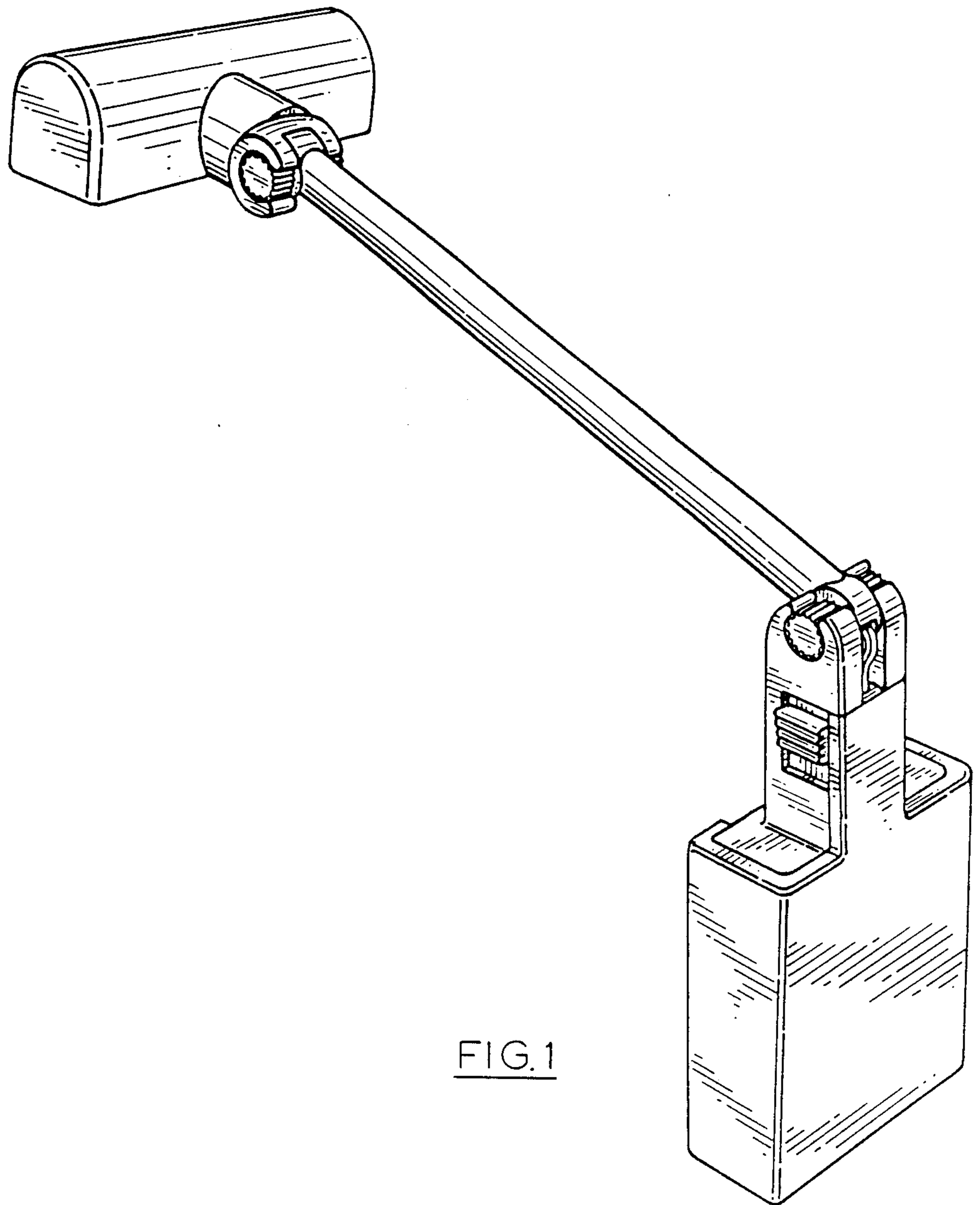
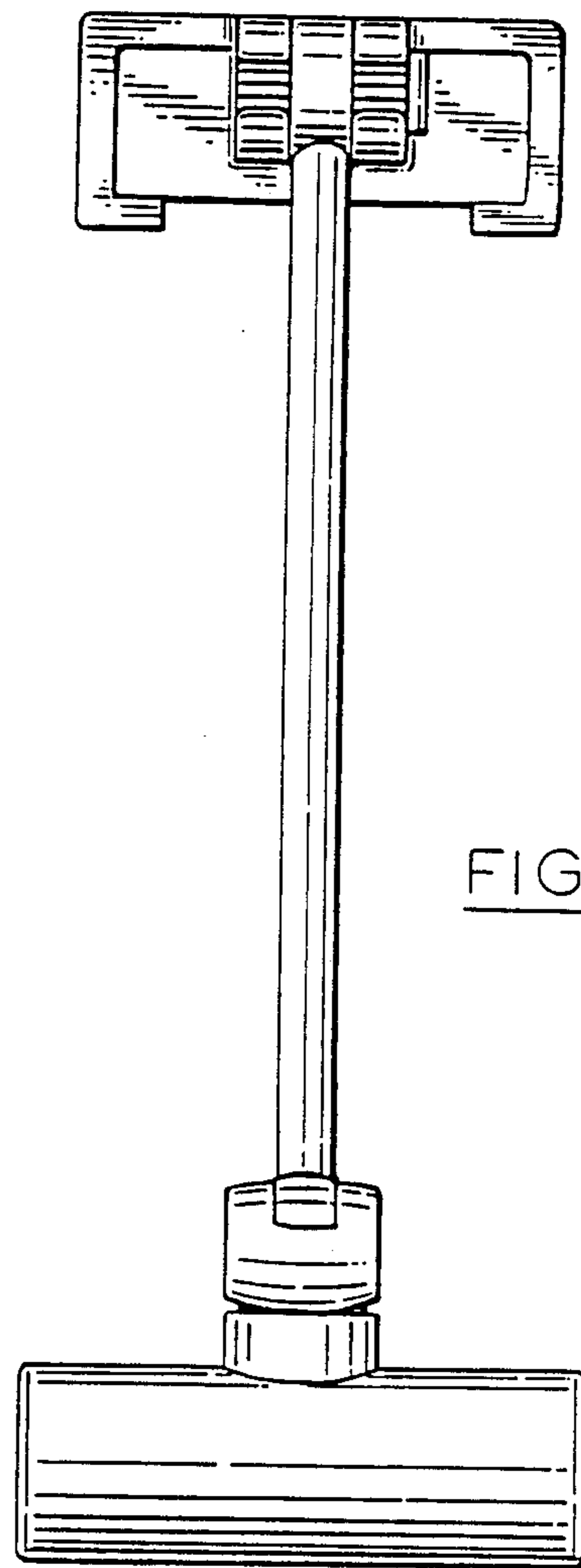
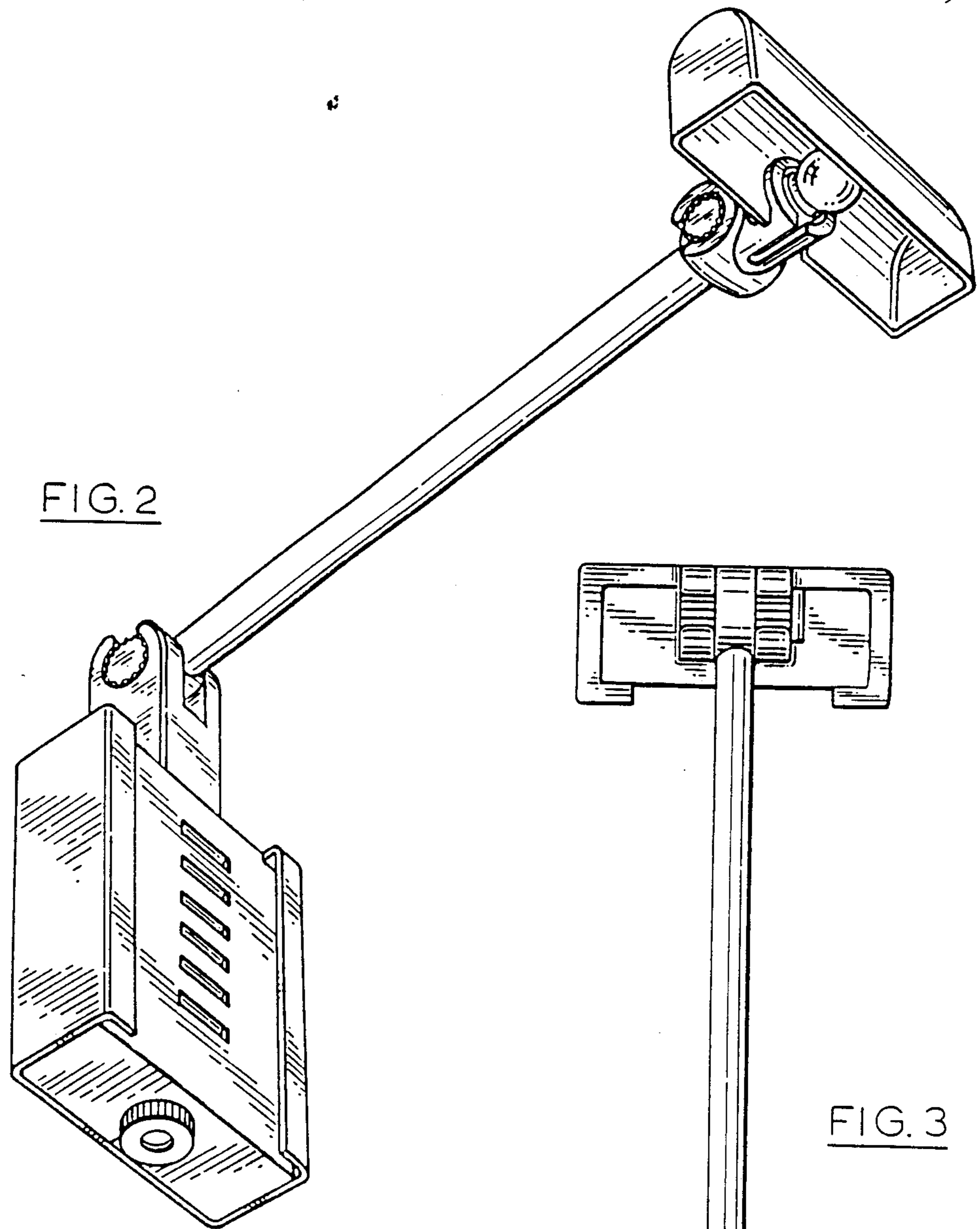


FIG. 1



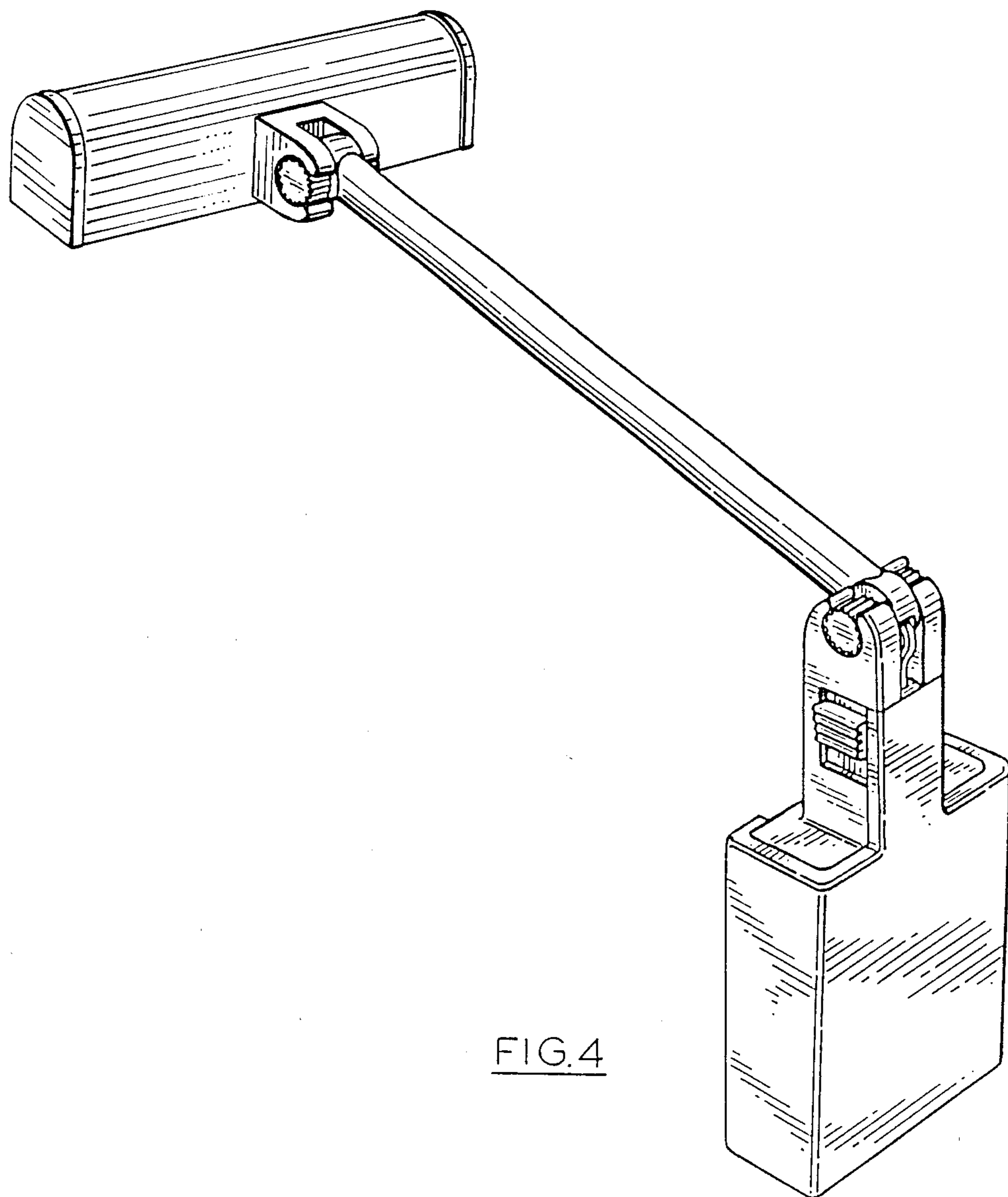


FIG. 4

