

[54] **TORCH**

3,015,719 1/1962 Kirkman 362/194 X

[75] **Inventor: Leonardus A. C. Krol, Gorinchem, Netherlands**
[73] **Assignee: U.S. Philips Corporation, New York, N.Y.**
[**] **Term: 14 Years**
[21] **Appl. No.: 252,849**
[22] **Filed: Oct. 3, 1988**

OTHER PUBLICATIONS

Hong Kong Enterprise, item rechargeable light, 9-1985, p. 64.
B. A. Pargh Company, Catalog item DFEBP, Dura-beam Emergency Light, 1985, p. 497.

Primary Examiner—Susan J. Lucas
Assistant Examiner—M. H. Tung

[30] **Foreign Application Priority Data**

Apr. 4, 1988 [GB] United Kingdom 1049928
[52] **U.S. Cl. D26/44**
[58] **Field of Search D26/37-50, D26/61-63; 362/157-158, 191-208, 183-190**

[57] **CLAIM**

The ornamental design for a torch, as shown and described.

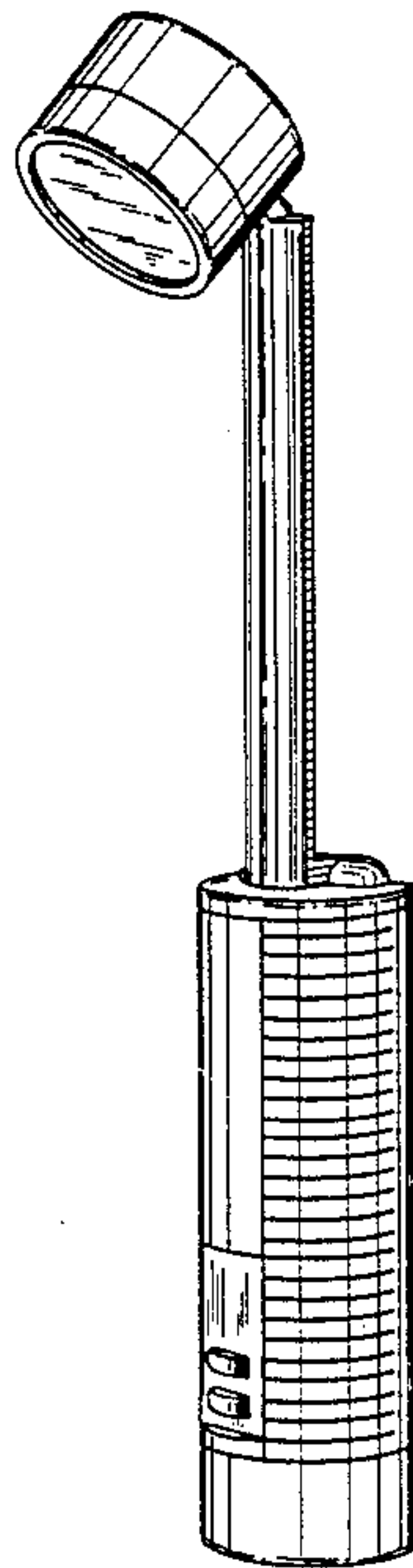
DESCRIPTION

FIG. 1 is a front, top and right side perspective view of a torch showing my new design, on a reduced scale; FIG. 2 is a front elevational view thereof; FIG. 3 is a rear elevational view thereof; FIG. 4 is a left side elevational view thereof; FIG. 5 is a right side elevational view thereof; FIG. 6 is a top plan view thereof; FIG. 7 is a bottom plan view thereof.

[56] **References Cited**

U.S. PATENT DOCUMENTS

D. 265,594 7/1982 Mann D26/37
D. 300,035 2/1989 Yuen D26/38 X



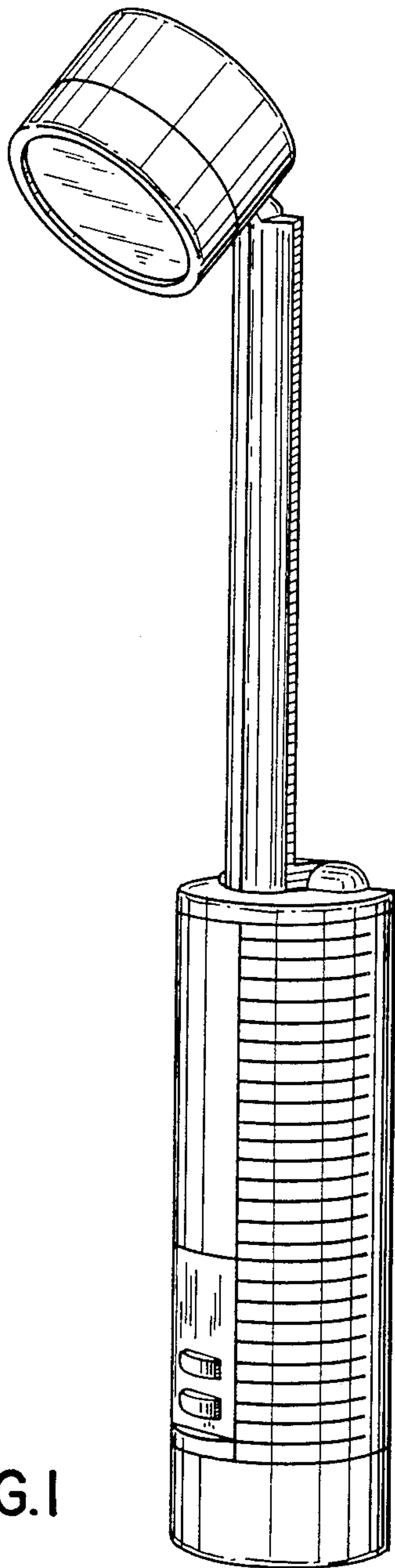


FIG. 1

FIG. 2

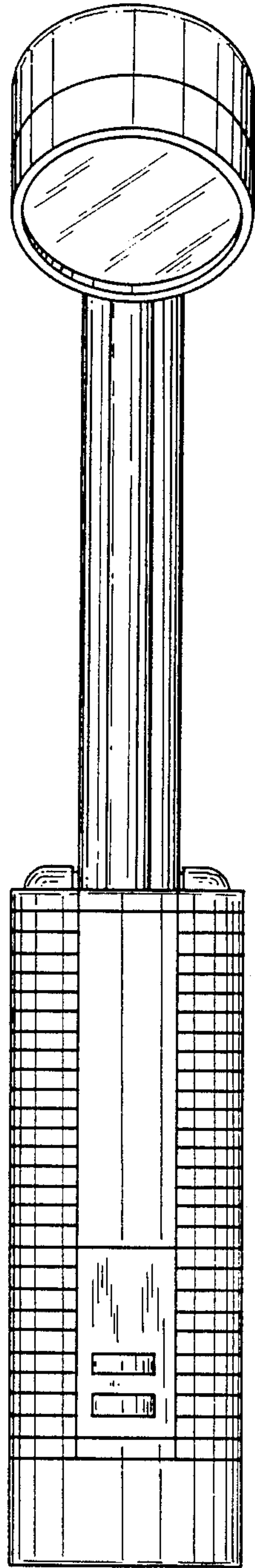


FIG. 3

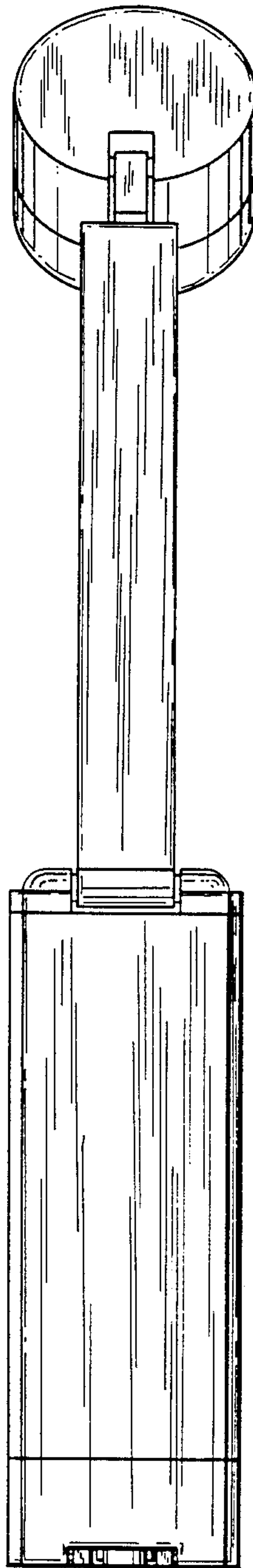


FIG. 4

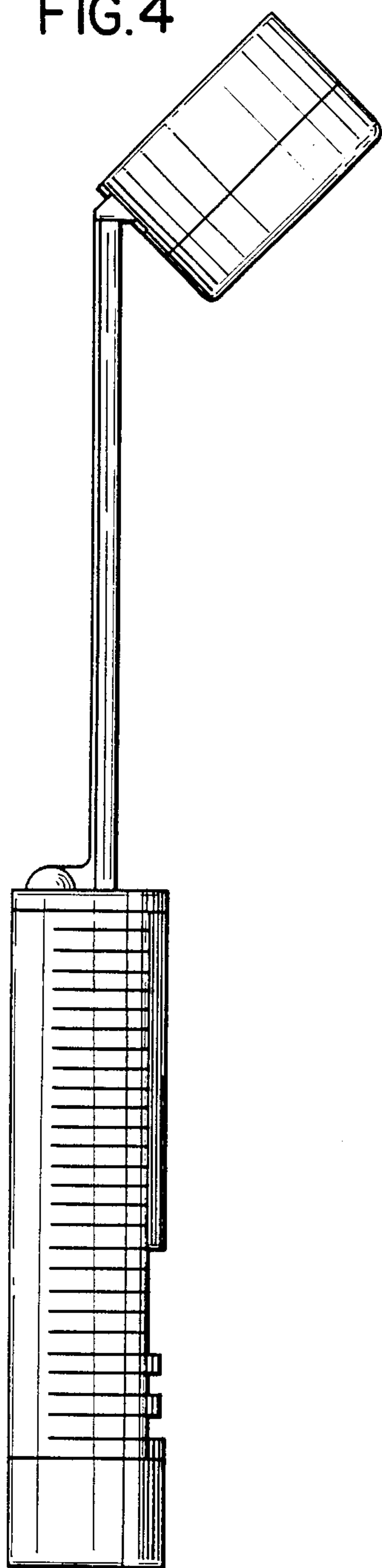
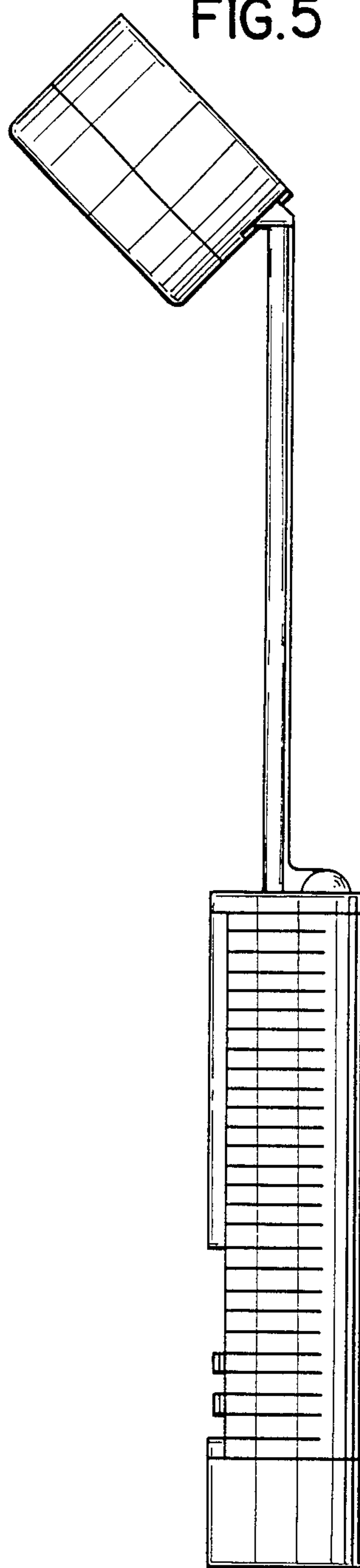


FIG. 5



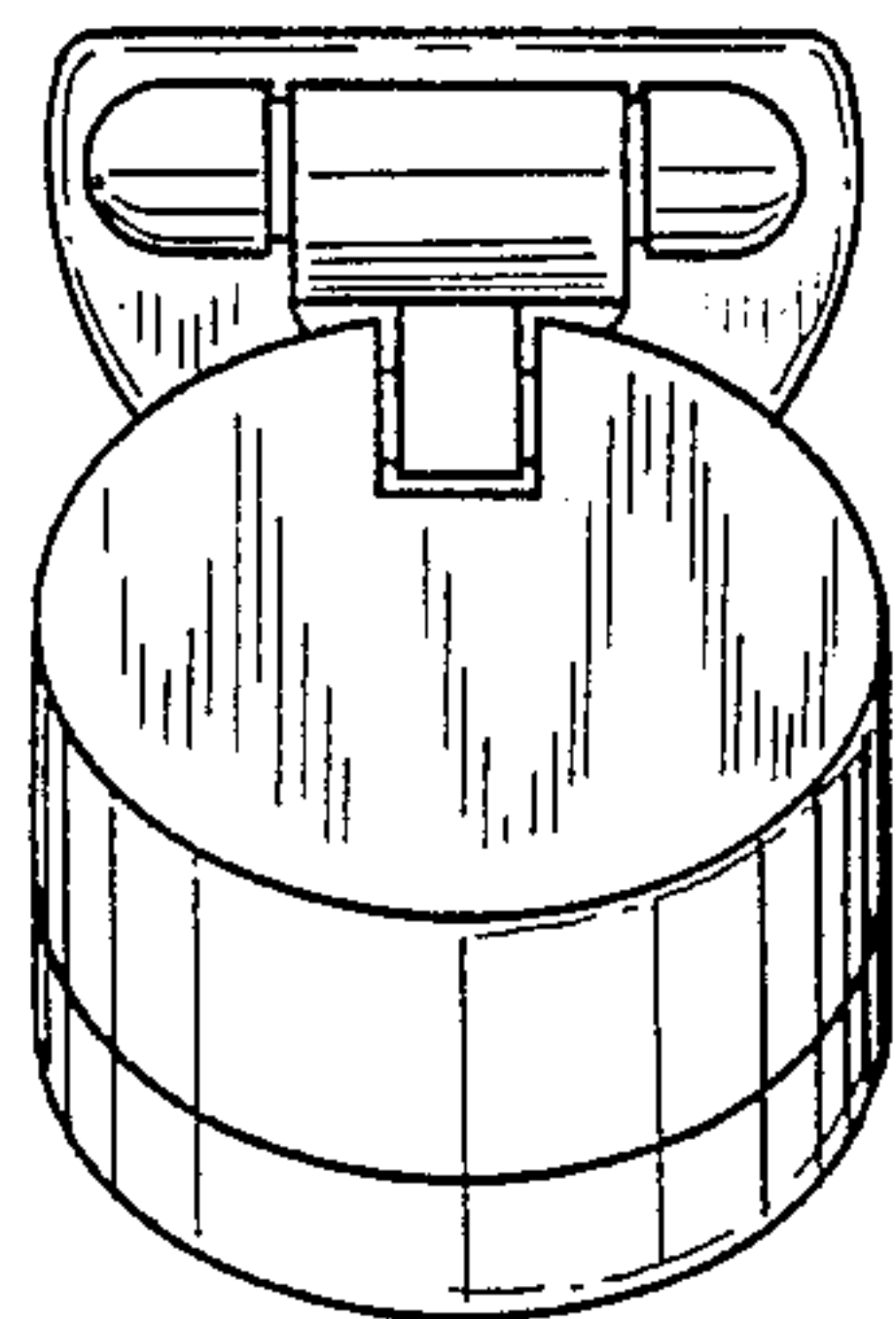


FIG. 6

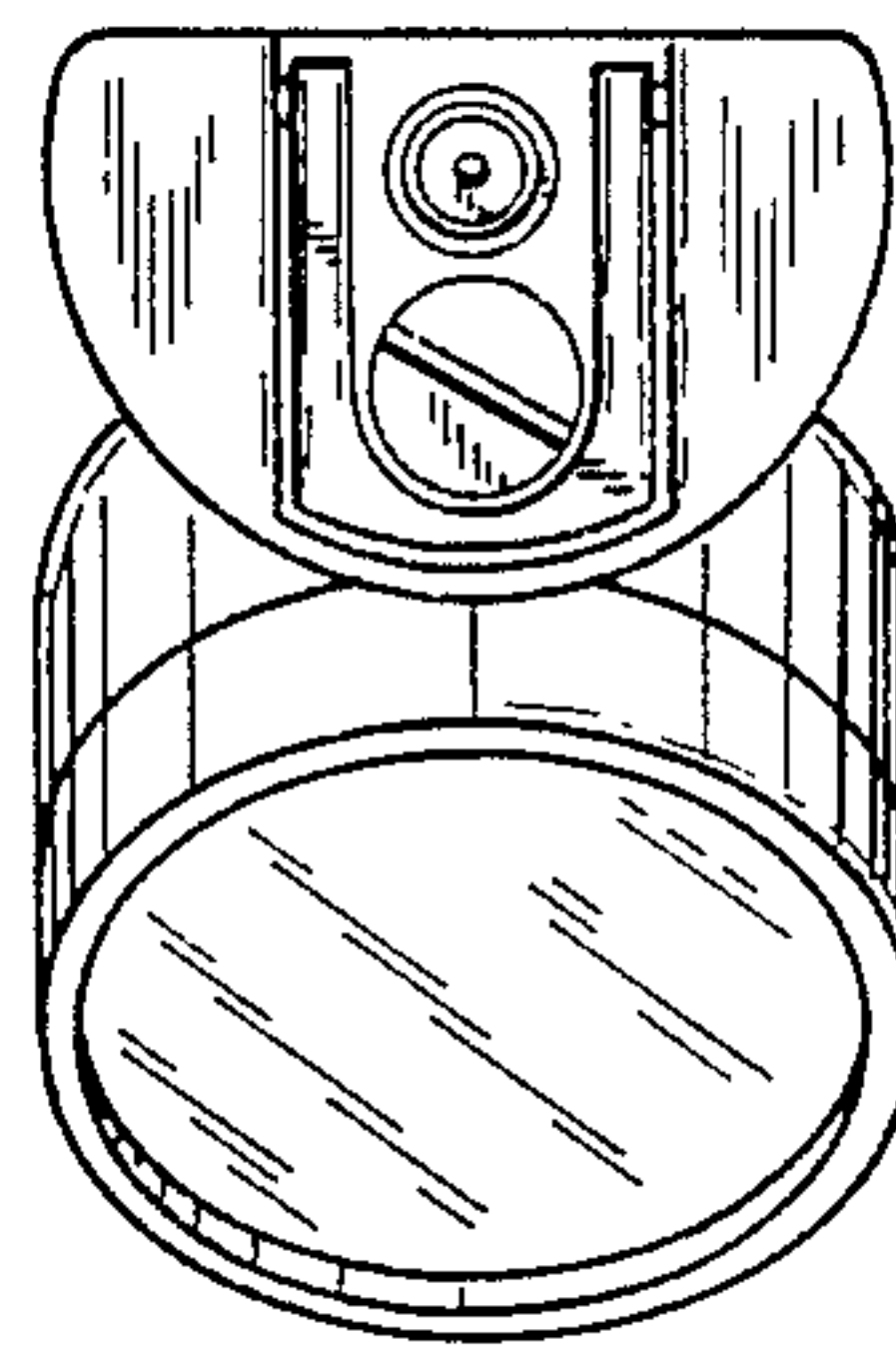


FIG. 7