

[54] PIPETTE HOLDER

[76] Inventor: Marshall C. Bradley, 6764 N. 14th St., Kalamazoo, Mich. 49007

[**] Term: 14 Years

[21] Appl. No.: 107,515

[22] Filed: Oct. 9, 1987

[52] U.S. Cl. D24/31; D24/51

[58] Field of Search D24/31, 32, 55, 51; 73/864.01, 864.21, 864.23, 863.32; 422/100, 99, 102, 104, 65, 67, 63; 211/13, 70.6; D9/341, 424, 425

[56] References Cited

U.S. PATENT DOCUMENTS

D. 248,045	5/1978	Bassett et al.	D24/32
D. 285,344	8/1986	Olson	D24/31
D. 288,484	2/1987	Mitchell	D24/31
D. 298,169	10/1988	Collister et al.	D24/55 X

Primary Examiner—A. Hugo Word

Assistant Examiner—Stella M. Reid

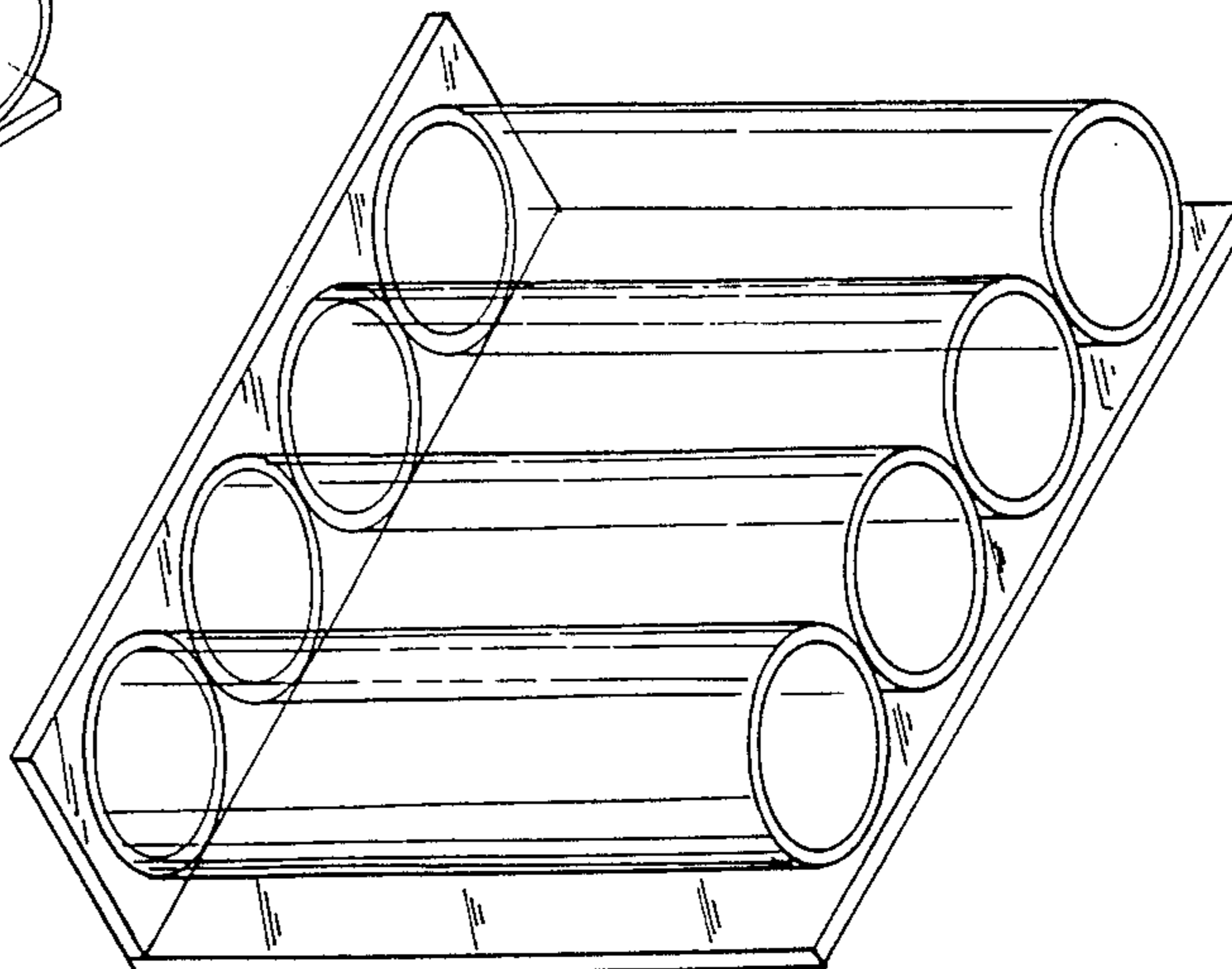
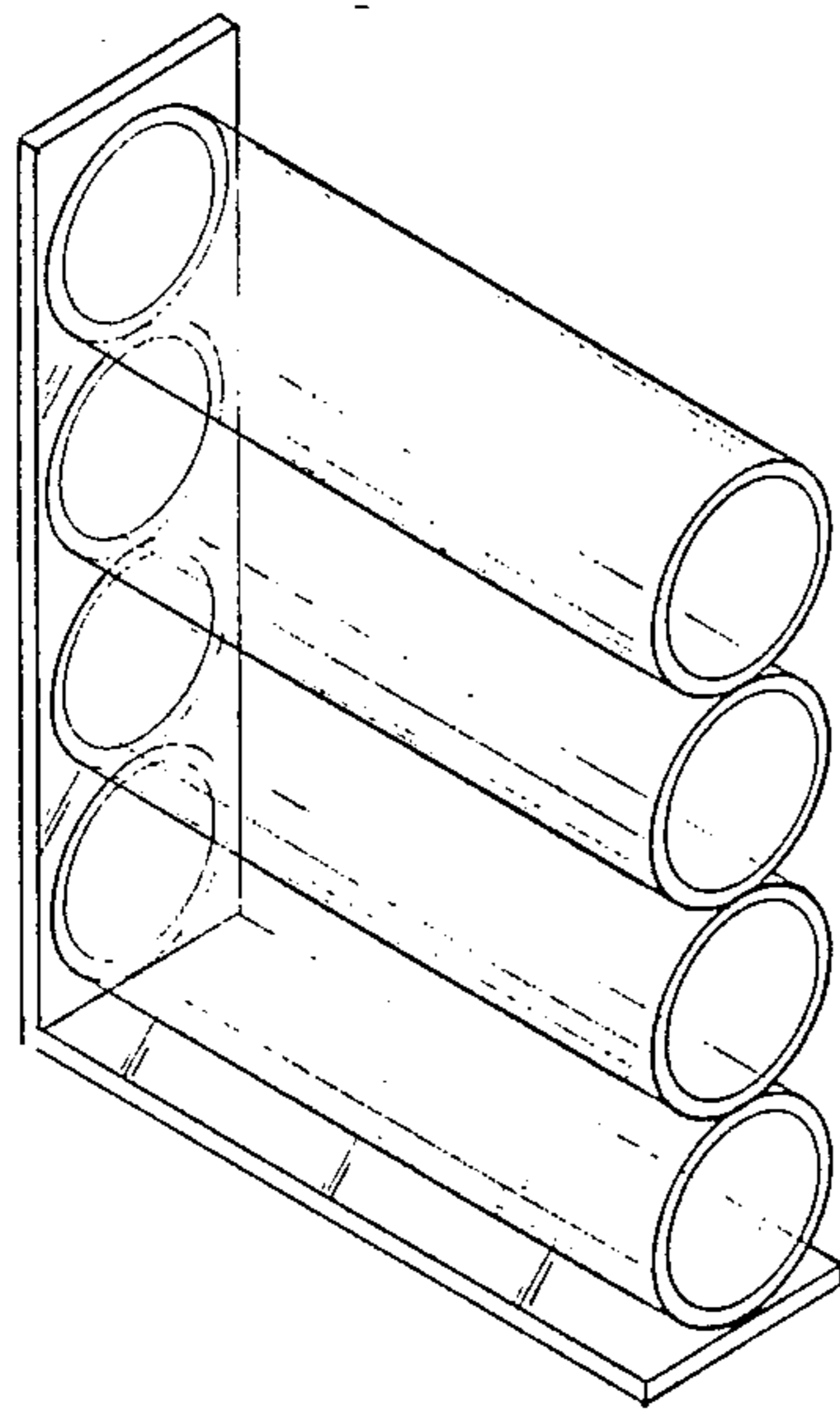
Attorney, Agent, or Firm—Flynn, Thiel, Boutell & Tanis

[57] CLAIM

The ornamental design for a pipette holder, as shown and described.

DESCRIPTION

FIG. 1 is a top and left front perspective view of a pipette holder showing my new design;
 FIG. 2 is a front elevational view thereof;
 FIG. 3 is a left side elevational view thereof, the right side elevational view being a mirror image thereto;
 FIG. 4 is a rear elevational view thereof;
 FIG. 5 is a top plan view thereof;
 FIG. 6 is a bottom plan view thereof;
 FIG. 7 is a top and left front perspective view of a modified form of FIG. 1;
 FIG. 8 is a front elevational view thereof;
 FIG. 9 is a left side elevational view thereof, the right side elevational view being a mirror image thereto;
 FIG. 10 is a rear elevational view thereof;
 FIG. 11 is a top plan view thereof; and
 FIG. 12 is a bottom plan view thereof.



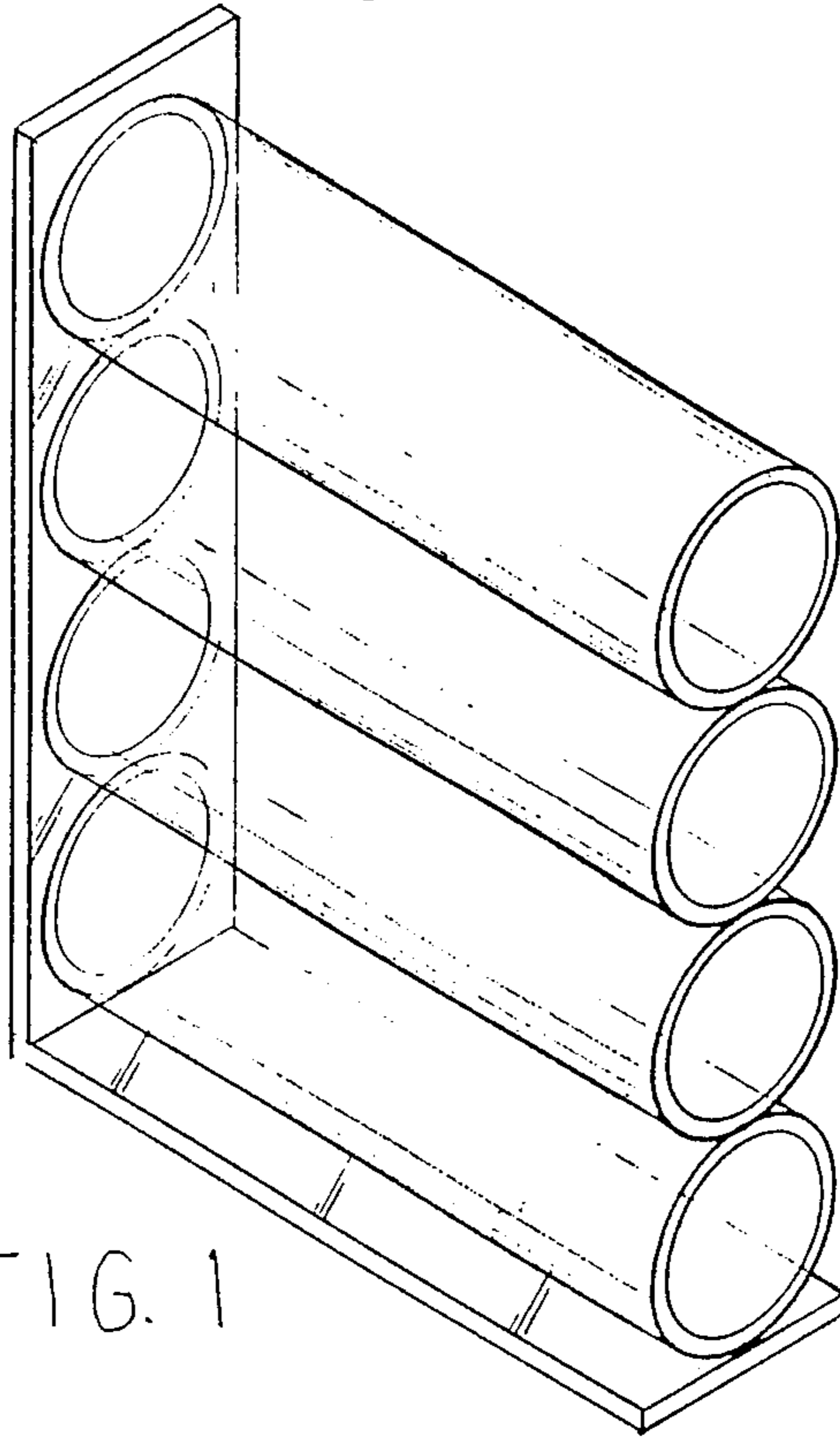


FIG. 1

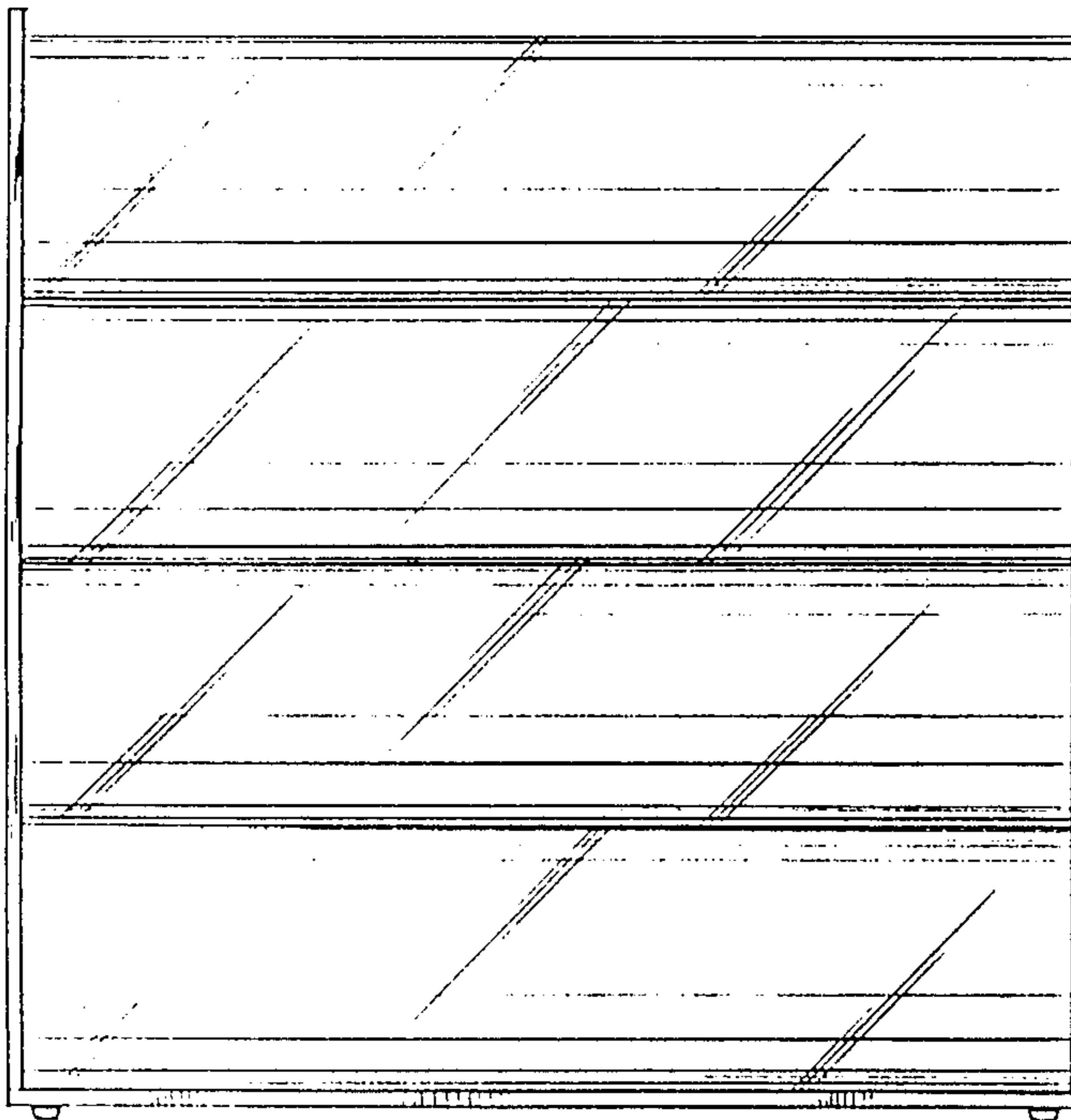


FIG. 3

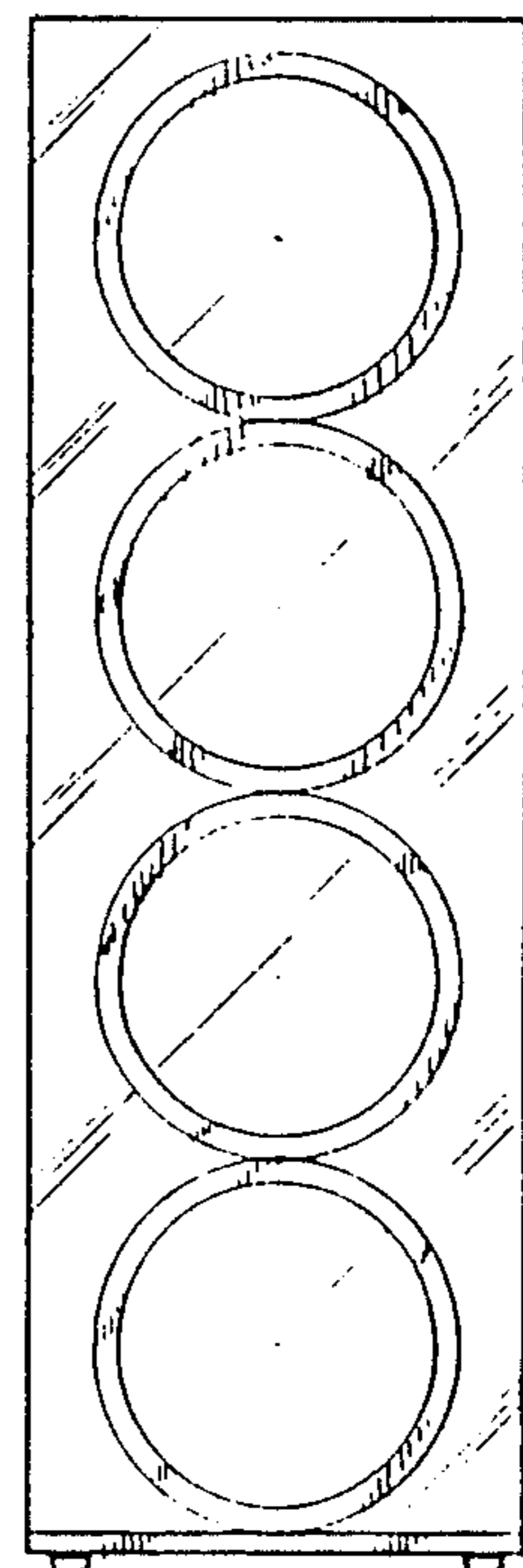


FIG. 2

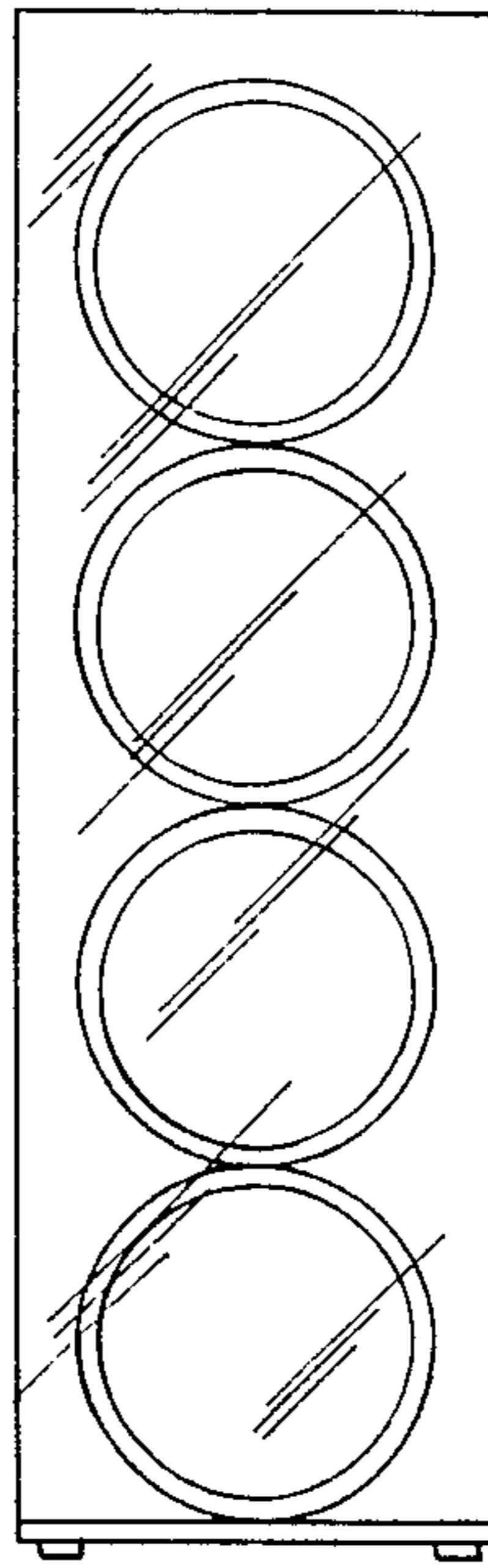


FIG. 4

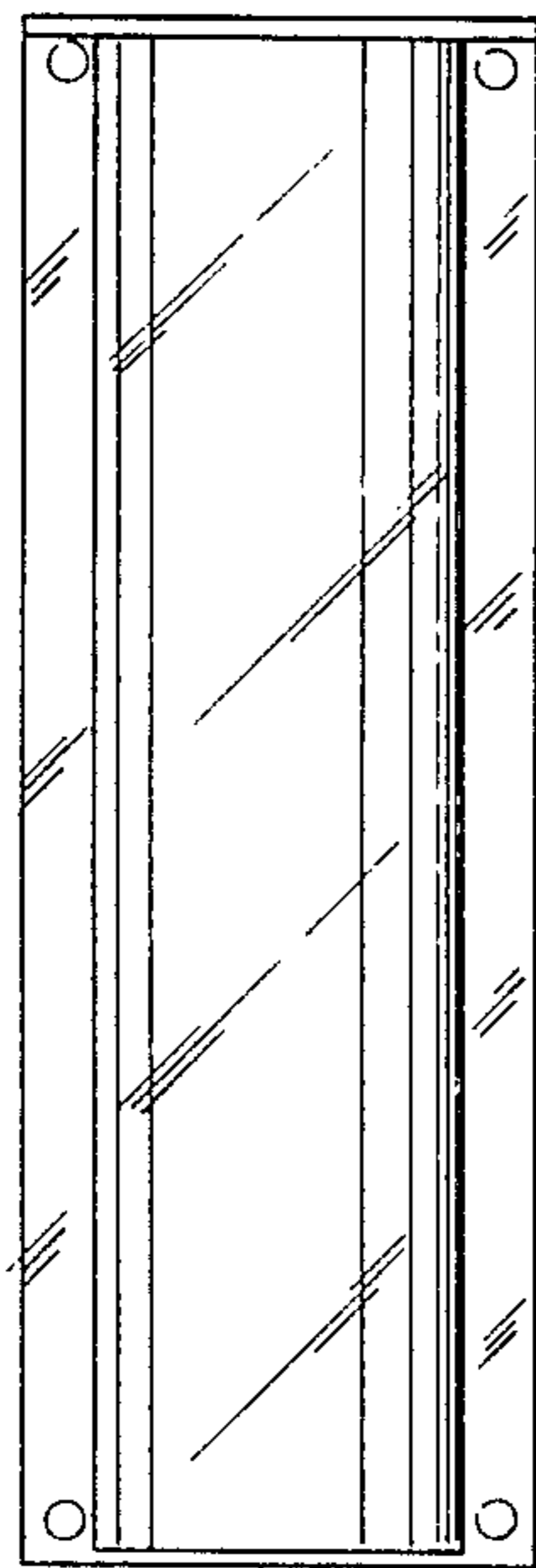


FIG. 5

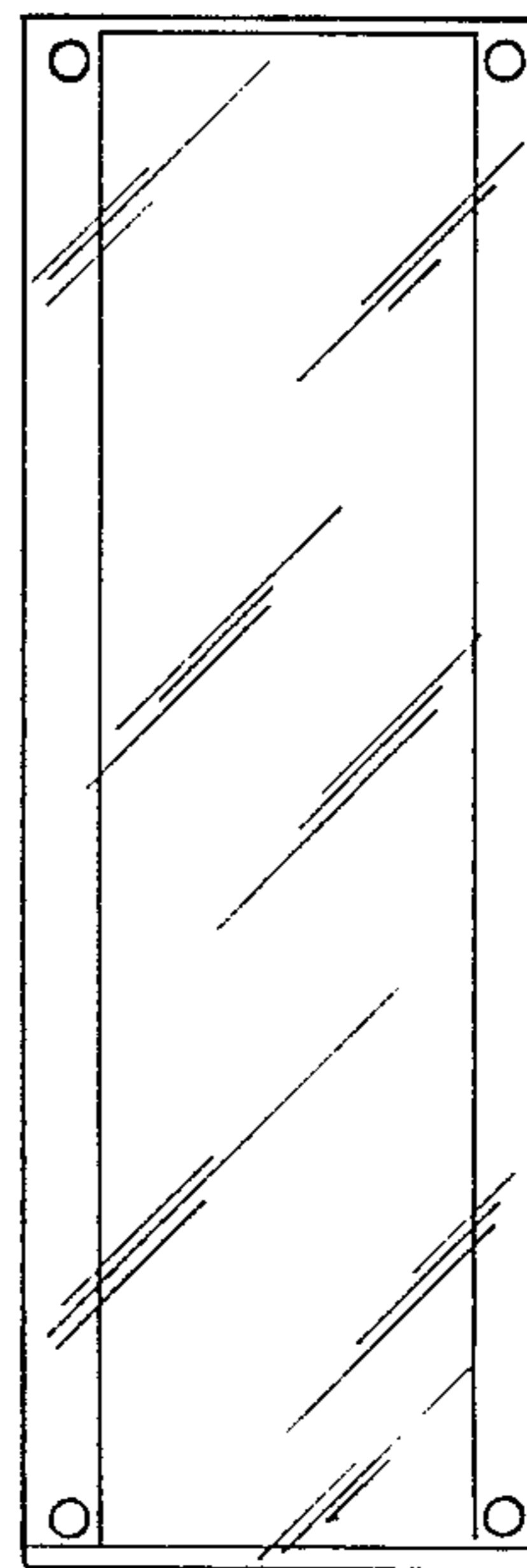


FIG. 6

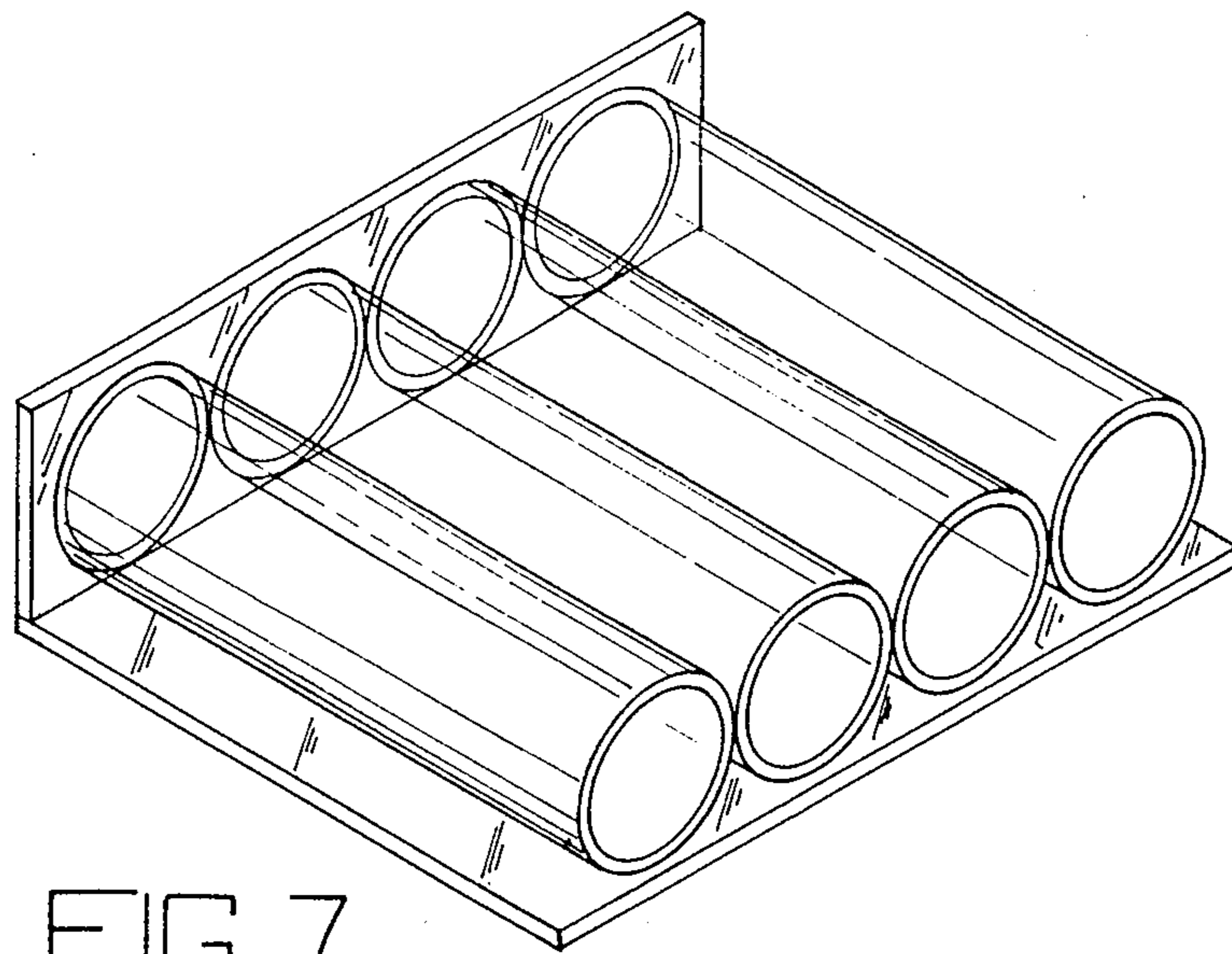


FIG. 7

FIG. 8

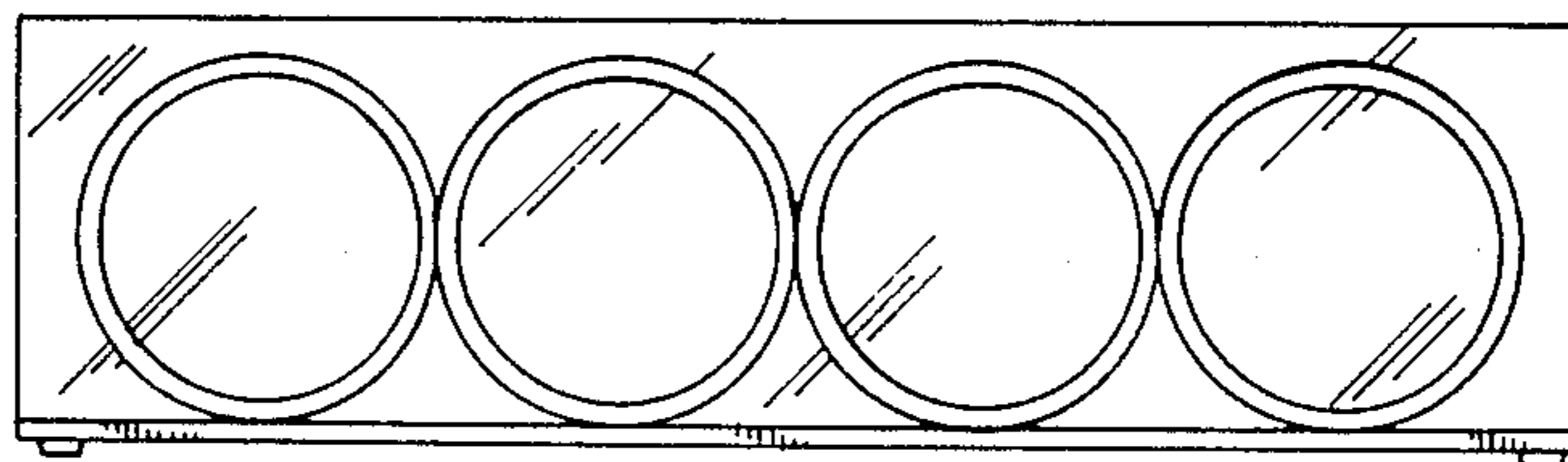
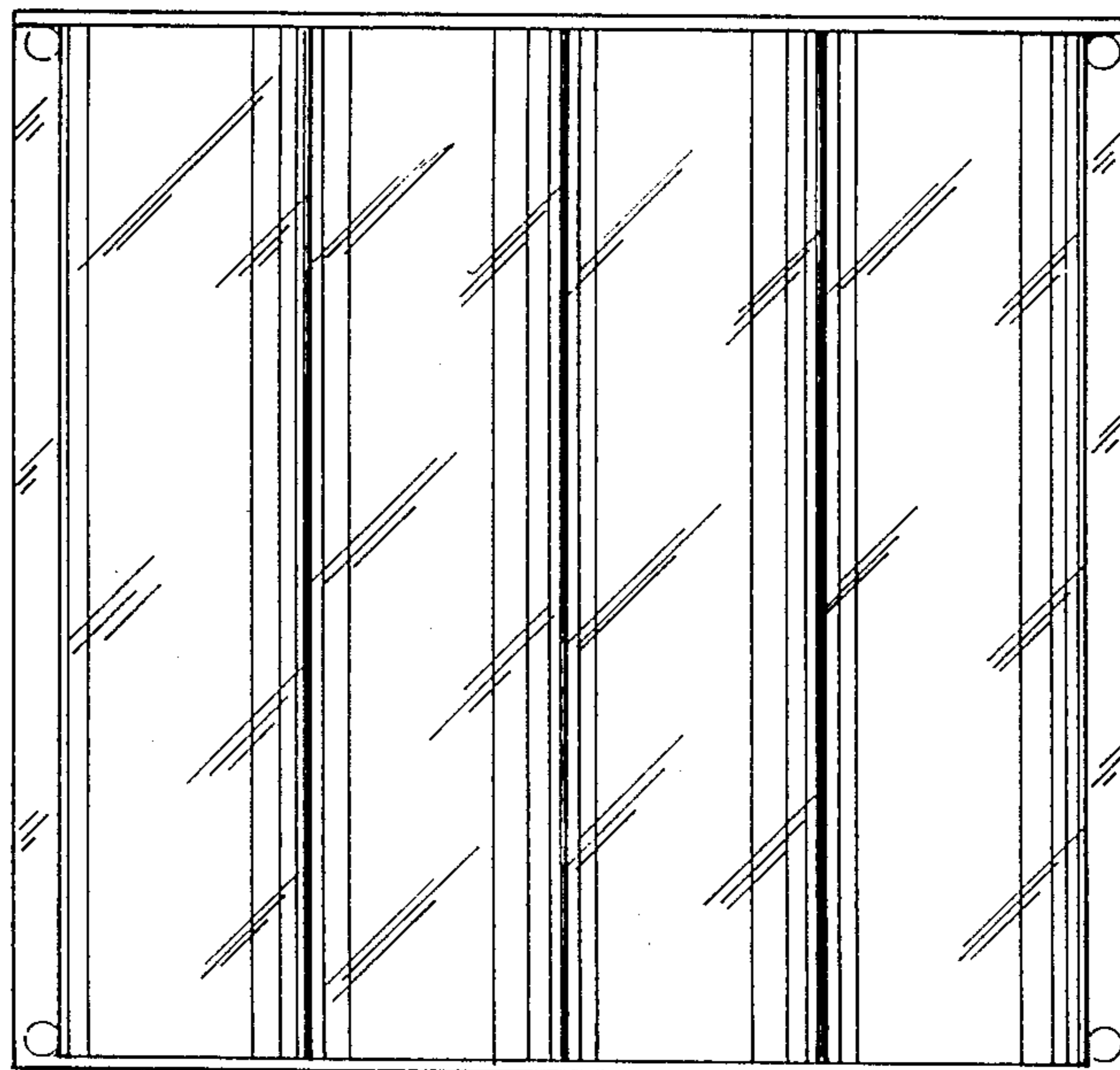


FIG. 11



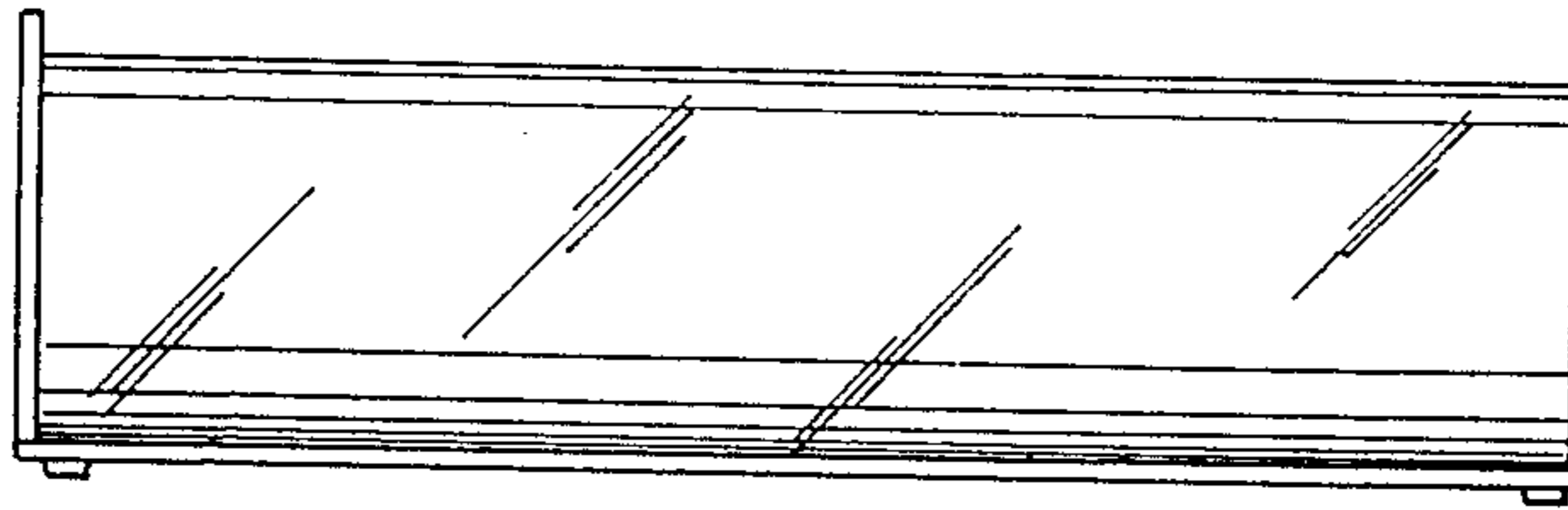


FIG. 9

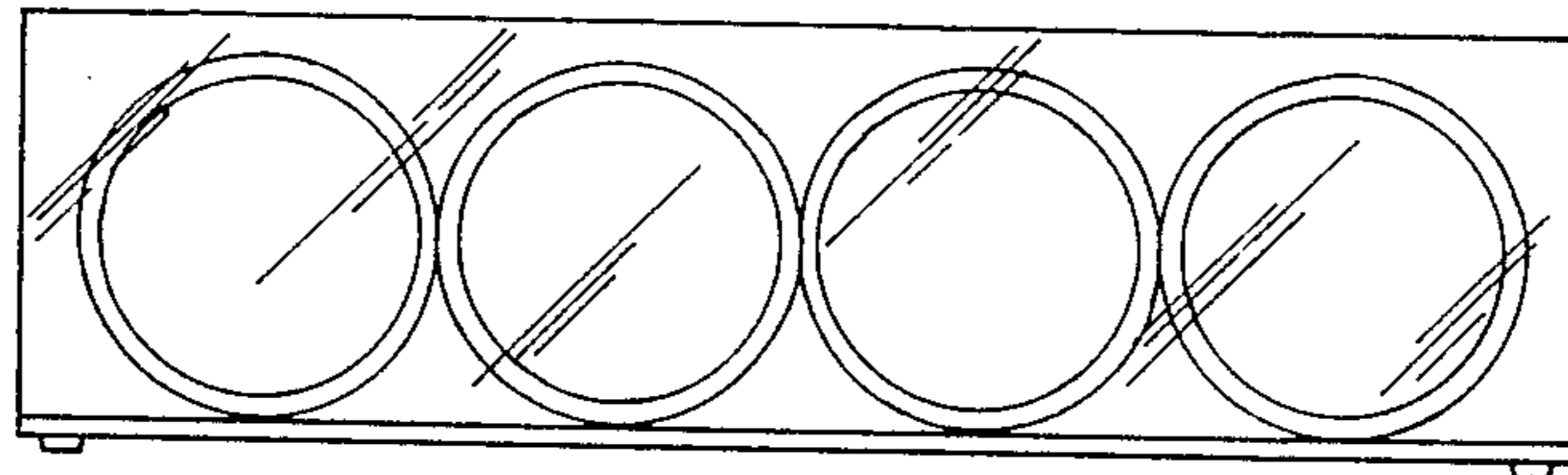


FIG. 10

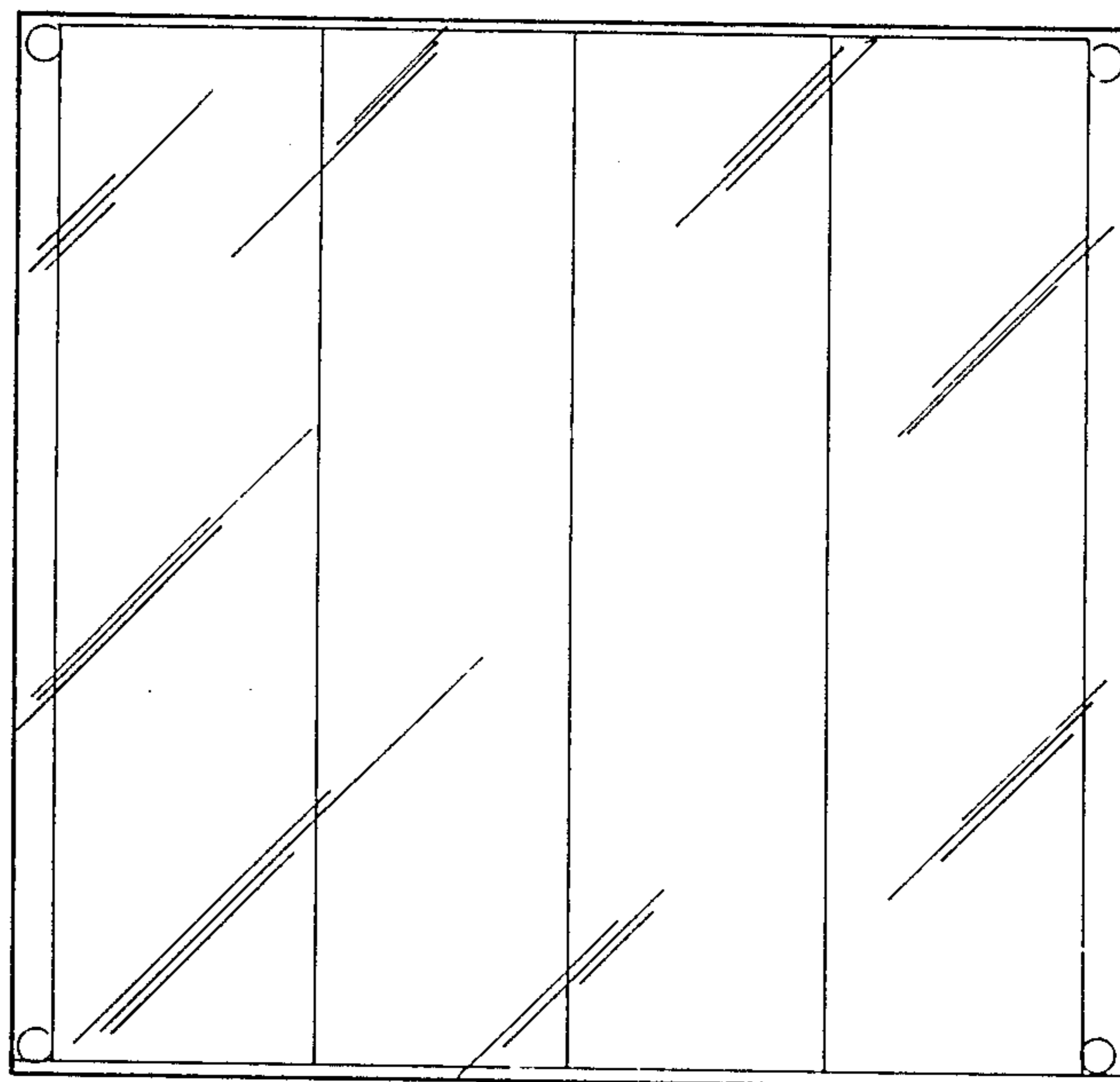


FIG. 12