

[54] **THREADED HEATLESS CONCENTRATOR**

4,391,779 7/1983 Miskinis 422/99

[75] Inventor: Paul S. Spock, Spring Mills, Pa.

Primary Examiner—A. Hugo Word
Assistant Examiner—Stella M. Reid

[73] Assignee: Supelco, Inc., Bellefonte, Pa.

[**] Term: 14 Years

[57] **CLAIM**

The ornamental design for a threaded heatless concentrator, as shown and described.

[21] Appl. No.: 133,695

[22] Filed: Dec. 16, 1987

DESCRIPTION

[52] U.S. Cl. D24/29; D24/8

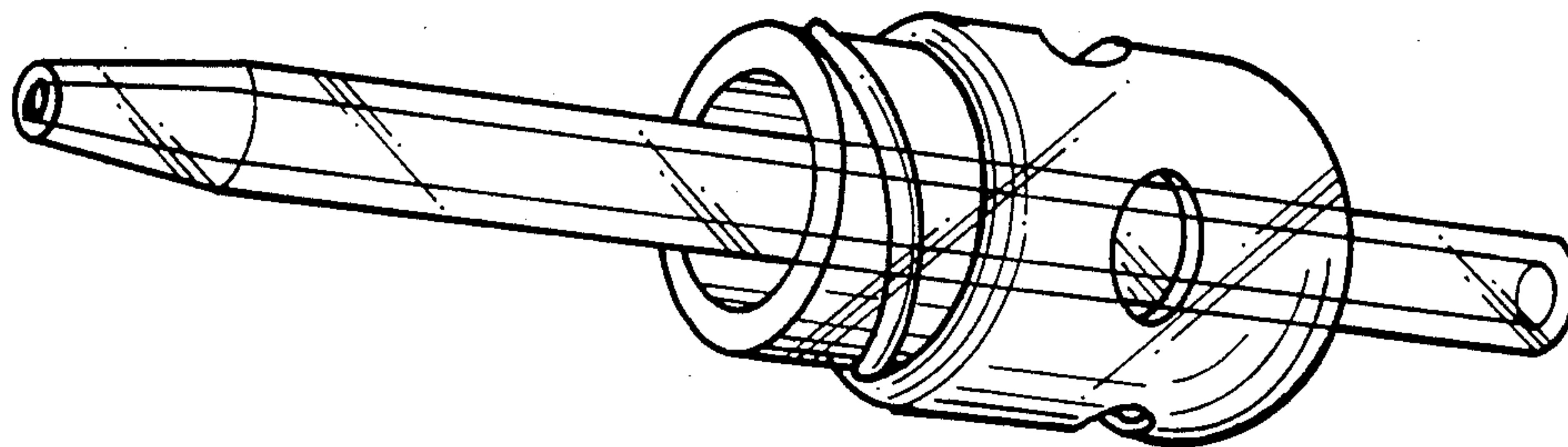
[58] Field of Search D24/8, 99, 29; 422/99, 422/102, 103

FIG. 1 is a front elevational view of a threaded heatless concentrator, showing my new design;
FIG. 2 is a side elevational view thereof, turned 90° with respect to FIG. 1;
FIG. 3 is a top plan view thereof;
FIG. 4 is a bottom plan view thereof; and
FIG. 5 is a perspective view thereof.

[56] **References Cited**

U.S. PATENT DOCUMENTS

D. 296,241 6/1988 Miskinis D24/29



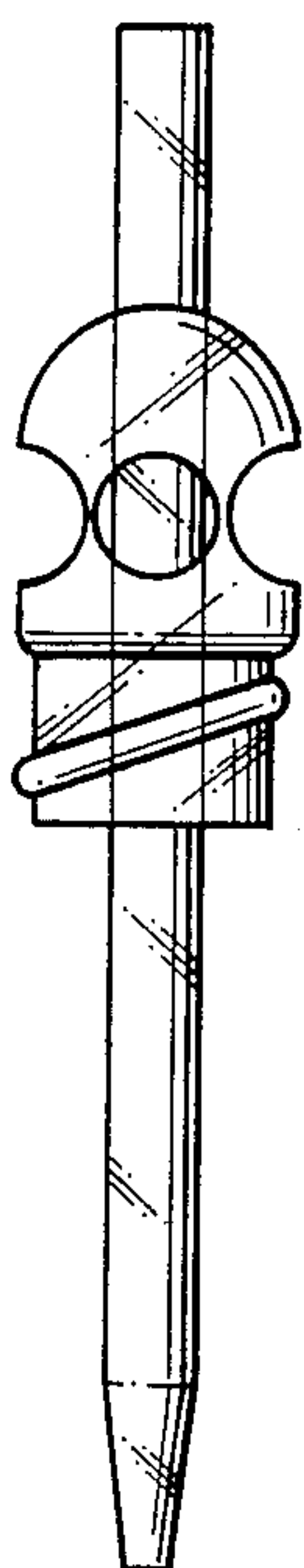


FIG. 1

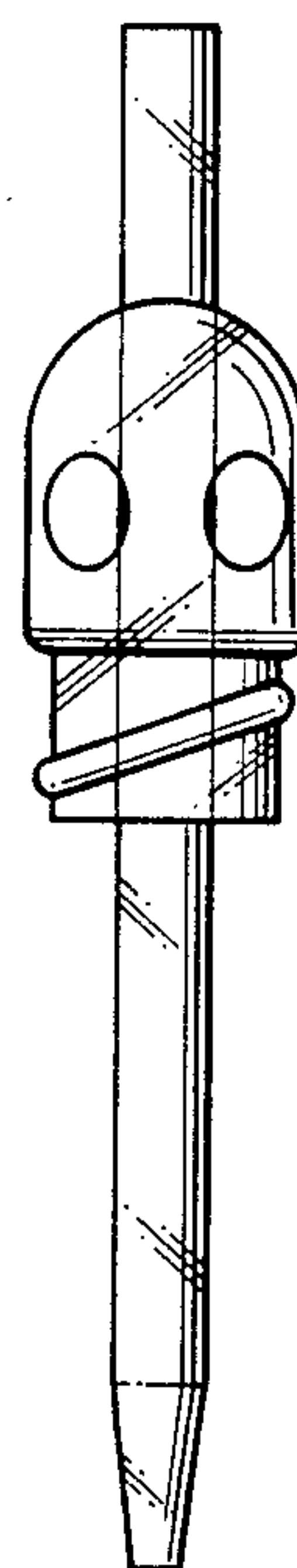


FIG. 2

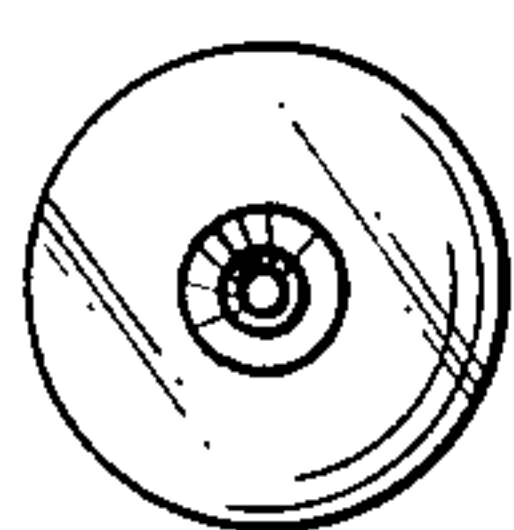


FIG. 3

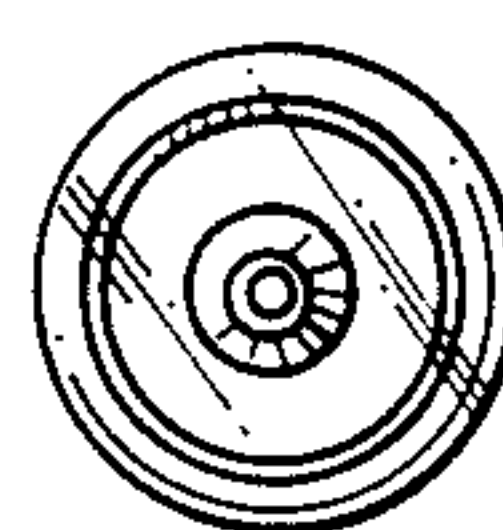


FIG. 4

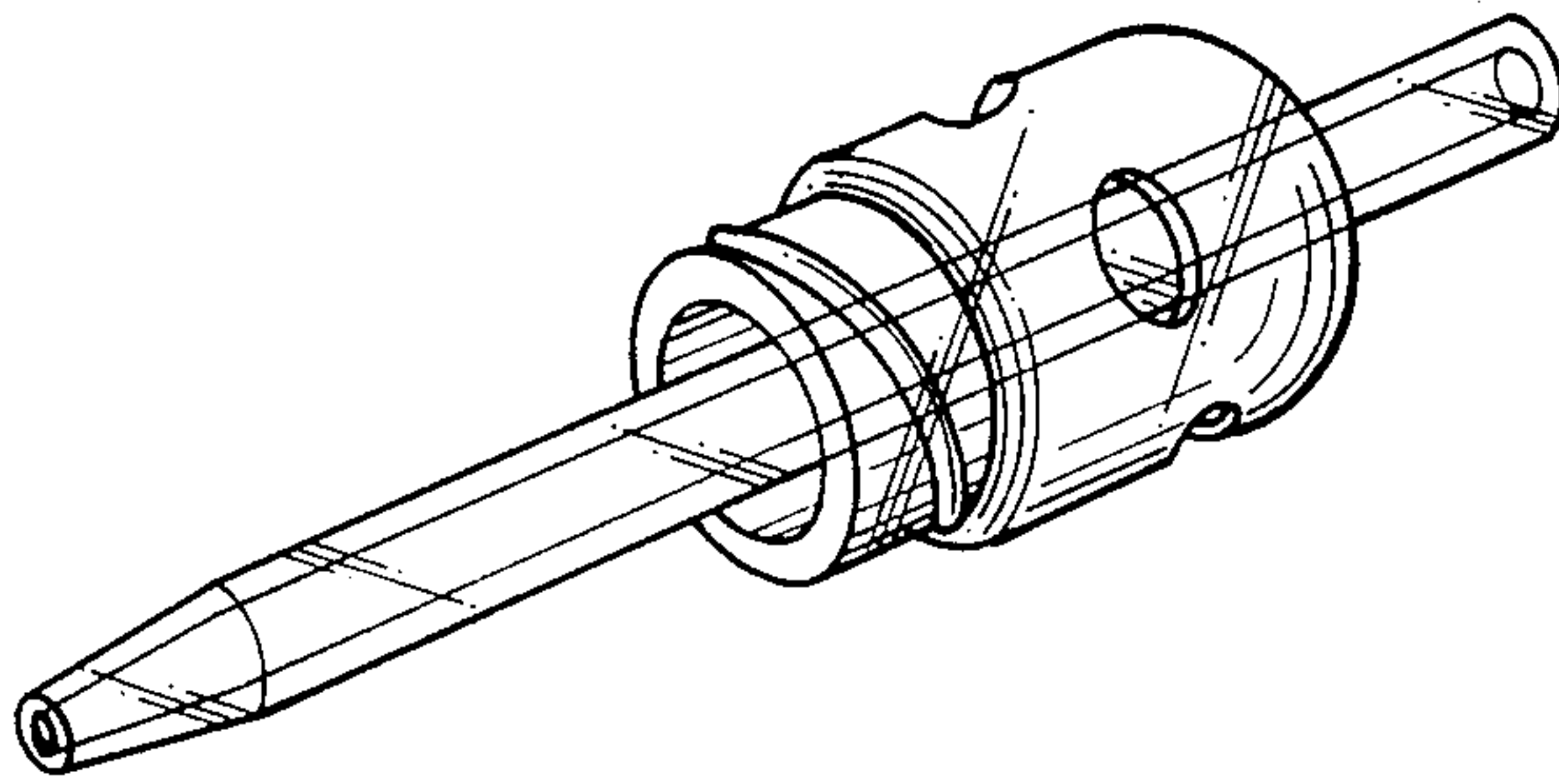


FIG. 5