

[54] TURBO CEILING FAN

[76] Inventor: Sidney L. Weatherford, 1006 Rainbow Dr., Richardson, Tex. 75081

[\*\*] Term: 14 Years

[21] Appl. No.: 413,614

[22] Filed: Sep. 28, 1989

[52] U.S. Cl. .... D23/377

[58] Field of Search ..... D23/377, 370, 385; 416/5, 134 R, 99

[56] References Cited

U.S. PATENT DOCUMENTS

D. 285,720	9/1986	Markwardt	416/5
955,089	4/1910	Mehlhose	416/99
4,621,977	11/1986	Markwardt	416/5
4,850,799	7/1989	Bucher, Sr. et al.	416/134 R

OTHER PUBLICATIONS

Fasco cat. 1980, p. 5, Ceiling Fans 1-8. Casablanca Fan Co. cat., Jan. 1982, p. 14, Delta Ceiling Fan Model 10666, top of page.

Primary Examiner—James M. Gandy  
Assistant Examiner—Lisa Lichtenstein  
Attorney, Agent, or Firm—Dennis T. Griggs

[57] CLAIM

The ornamental design for turbo ceiling fan, as shown and described.

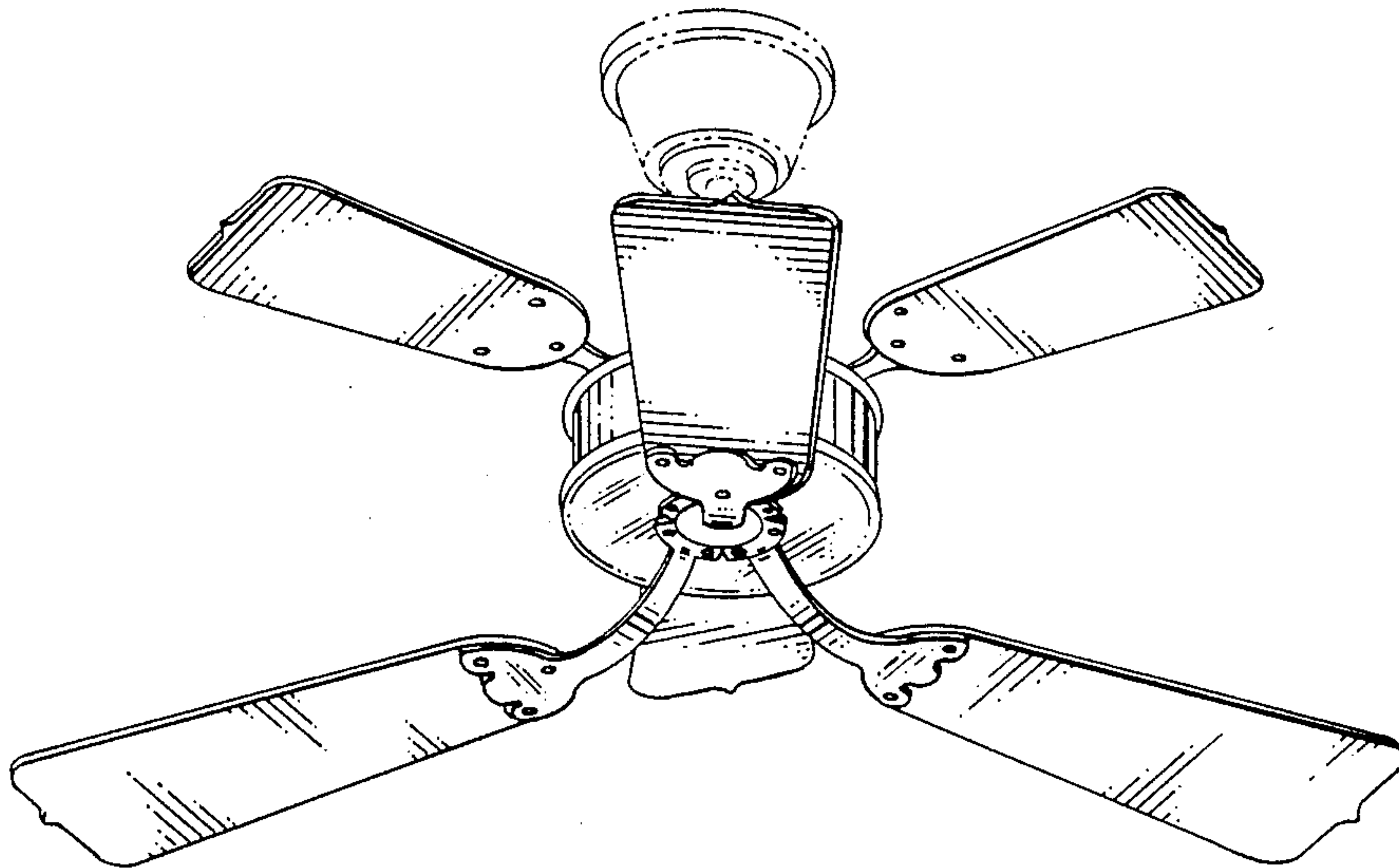
DESCRIPTION

FIG. 1 is a side elevational view of a turbo ceiling fan showing my new design, the opposite and adjacent sides being mirror images of that shown, and the broken-line showing of mounting hardware being for illustrative purposes only and forming no part of the claimed design.

FIG. 2 is a top plan view thereof;

FIG. 3 is a bottom plan view thereof; and

FIG. 4 is a bottom perspective view thereof.



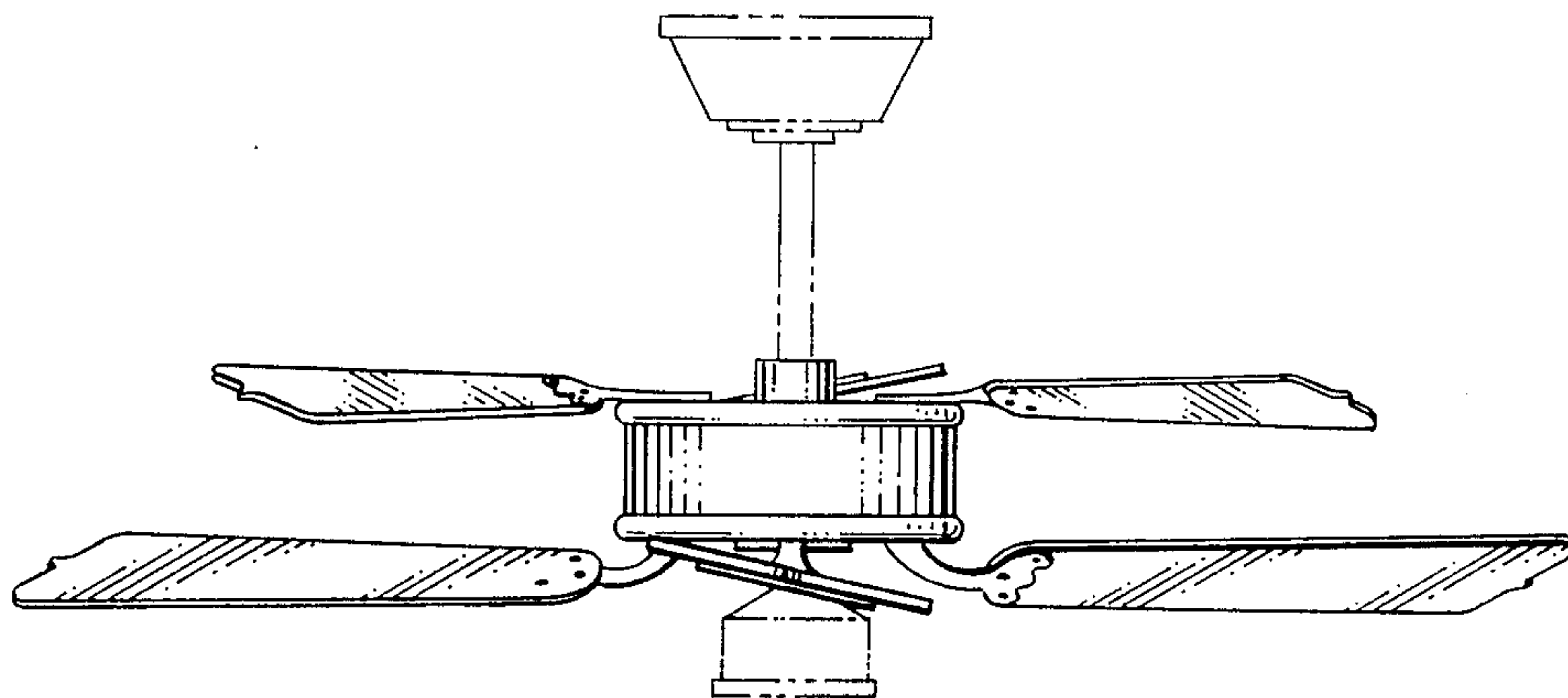


FIG. 1

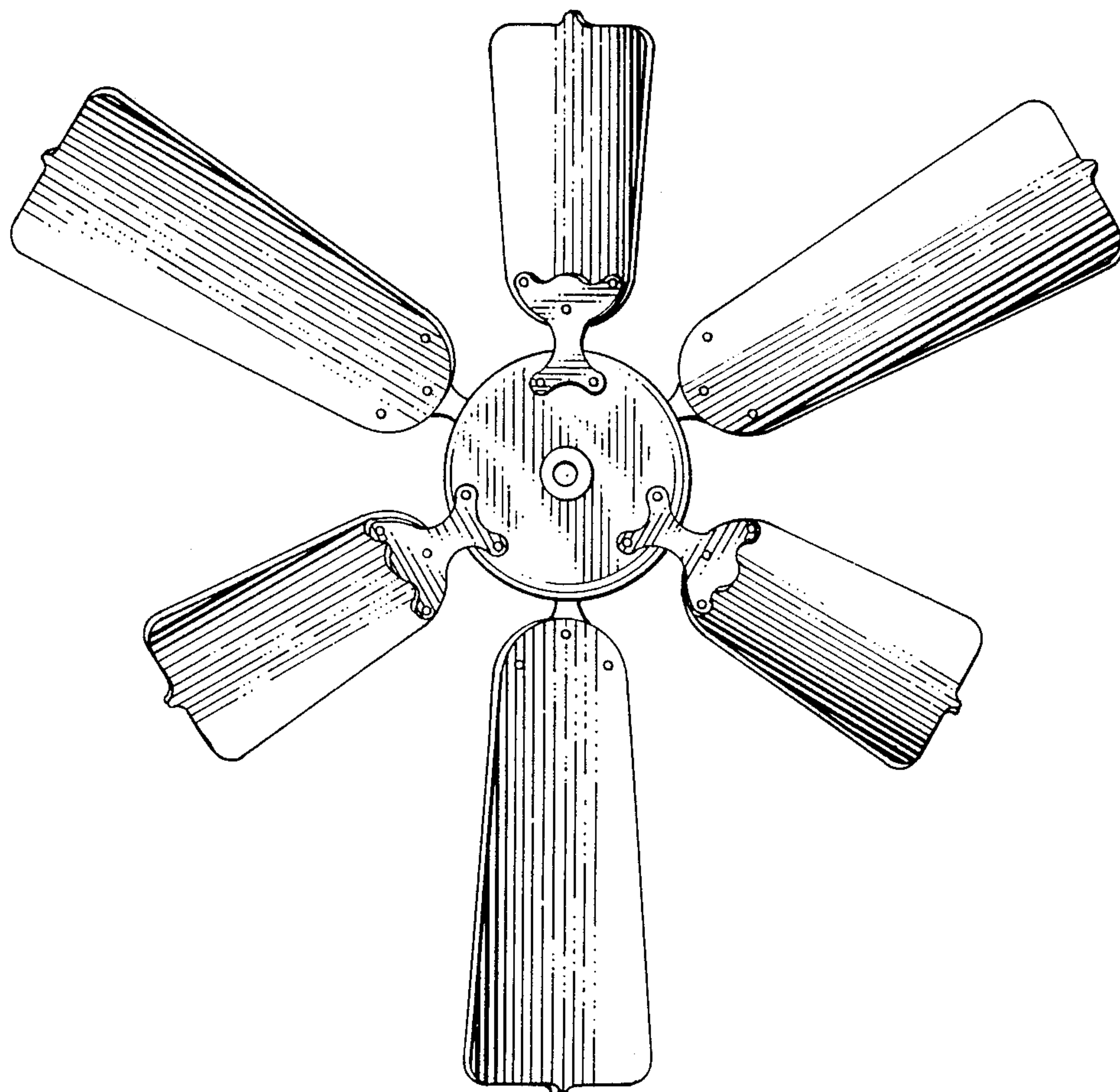


FIG. 2

FIG. 3

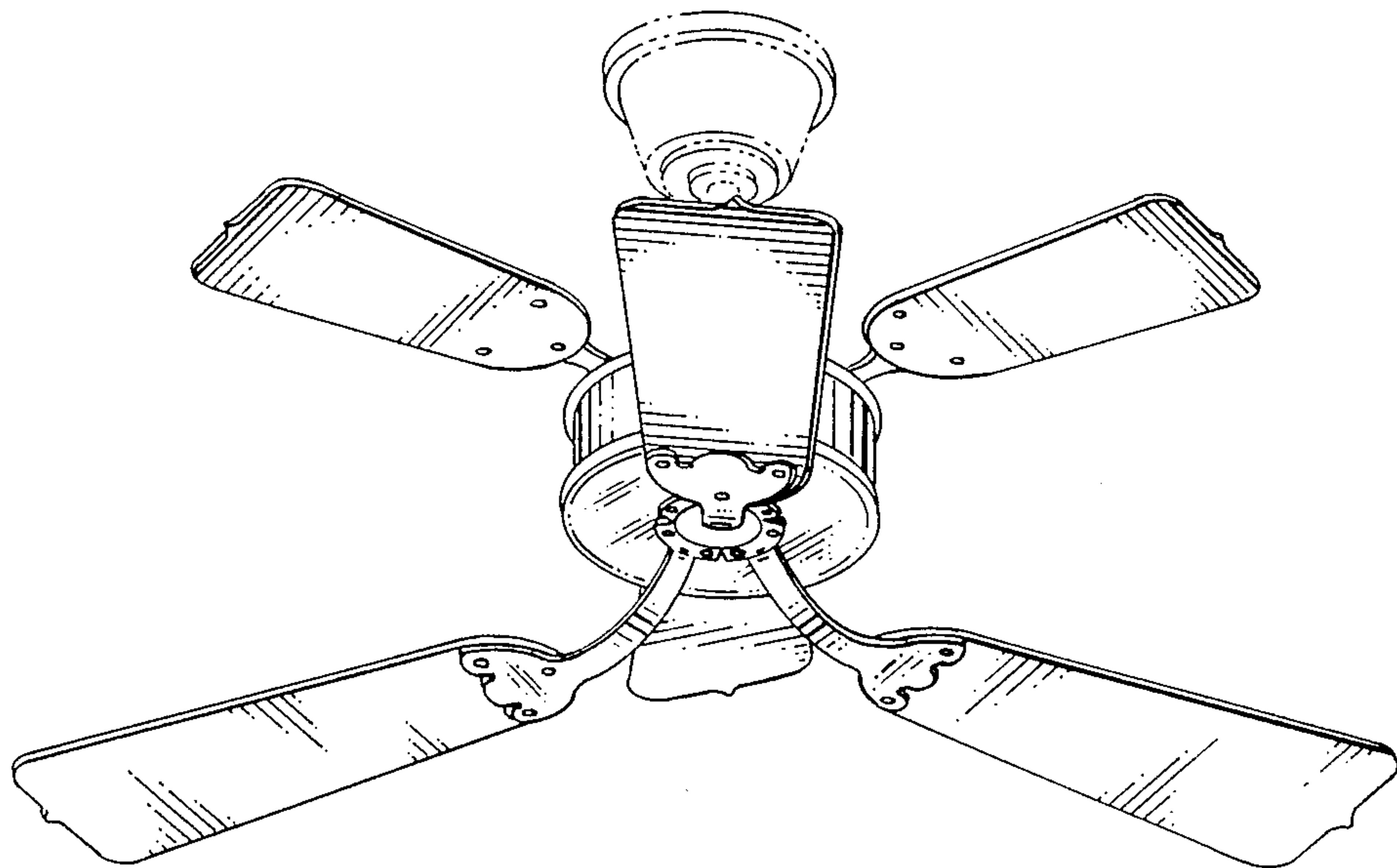
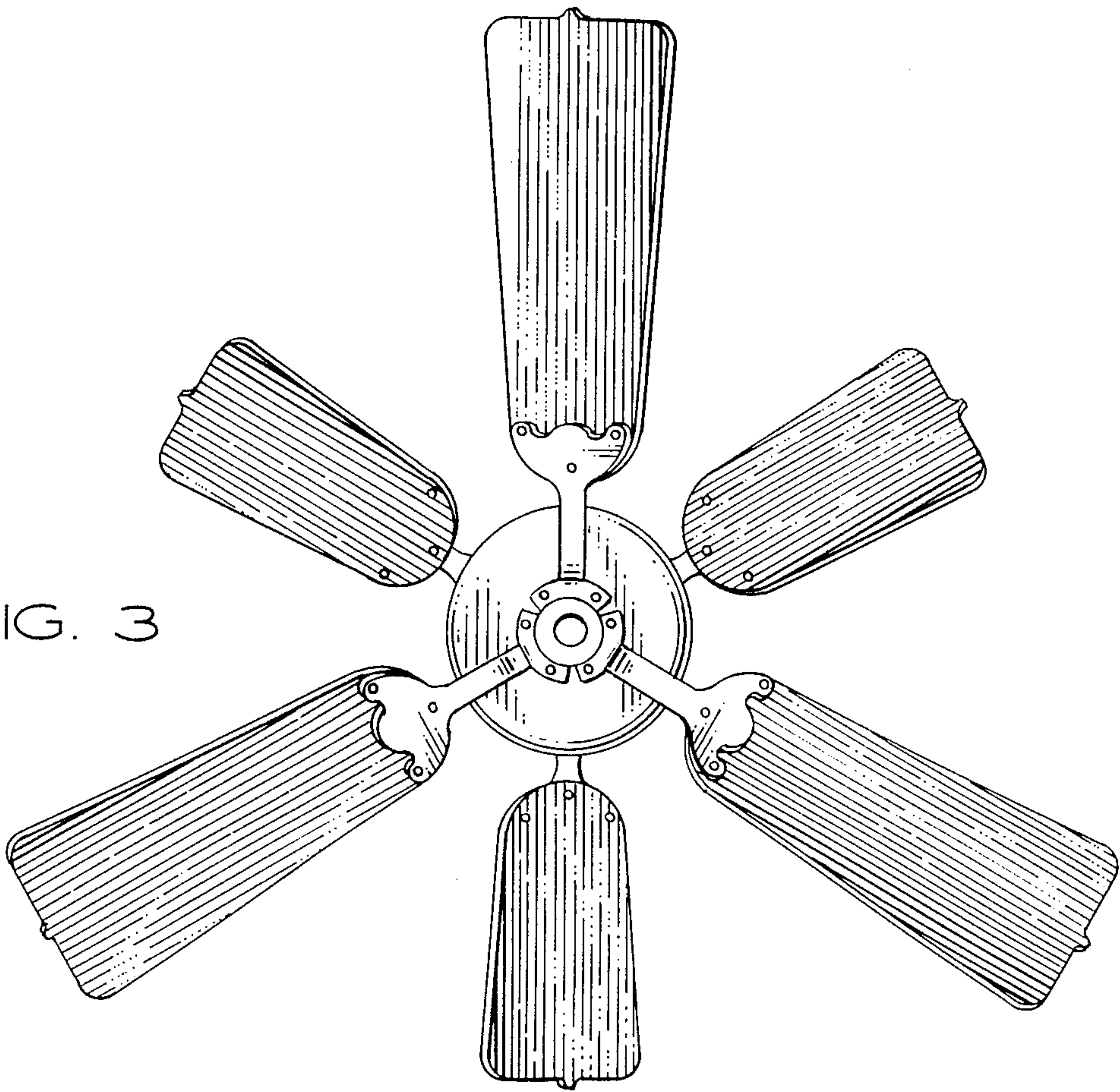


FIG. 4