

[54] COMBINED CEILING FAN AND LIGHT FIXTURE

D. 303,425 9/1989 Sonneman D23/377
D. 304,229 10/1989 Rezek D23/377

[75] Inventors: Jean C. Mason, Hollywood; Rand D. Clark, Diamond Bar, both of Calif.

Primary Examiner—James M. Gandy
Assistant Examiner—Lisa Lichtenstein
Attorney, Agent, or Firm—Charles H. Schwartz;
Ellsworth R. Roston

[73] Assignee: Casablanca Fan Company, Inc., City of Industry, Calif.

[57] CLAIM

[**] Term: 14 Years

The ornamental design for a combined ceiling and and light fixture, as shown and described.

[21] Appl. No.: 241,130

DESCRIPTION

[22] Filed: Sep. 6, 1988

[52] U.S. Cl. D23/377

[58] Field of Search D23/377, 379; D26/81, D26/82, 83, 84, 85, 86, 88, 59; 416/5, 223 R, 244 R, 214 R; 362/96, 294

FIG. 1 is a perspective view of a combined ceiling fan and light fixture, showing our new design.

FIG. 2 is a side elevation view thereof, the opposite side being a mirror image of that shown.

FIG. 3 is a top plan view thereof;

FIG. 4 is a bottom plan view of a combined ceiling fan and light fixture showing a second embodiment of our new design.

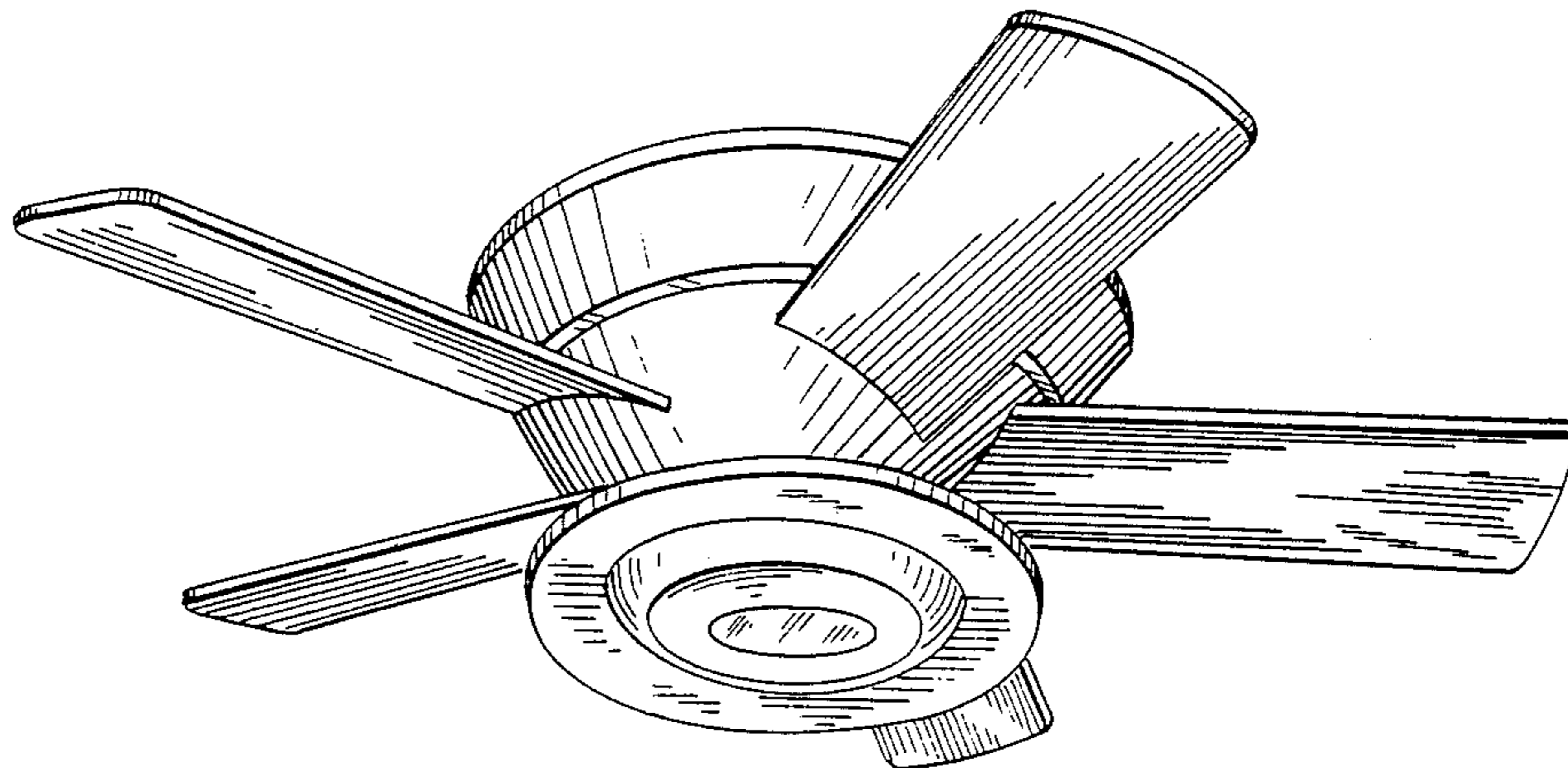
FIG. 5 is an enlarged side perspective view of the second embodiment, the opposite side being a mirror image of that shown.

The top plan view of the second embodiment is the same as that of the first embodiment, shown in FIG. 3.

[56] References Cited

U.S. PATENT DOCUMENTS

- D. 90,939 10/1933 Beck D26/88
- D. 206,178 11/1966 Eckert D26/81
- D. 212,708 11/1968 Mayer D26/86
- D. 240,320 6/1976 Anderson, Jr. D26/85
- D. 290,748 7/1987 Kawai D23/377



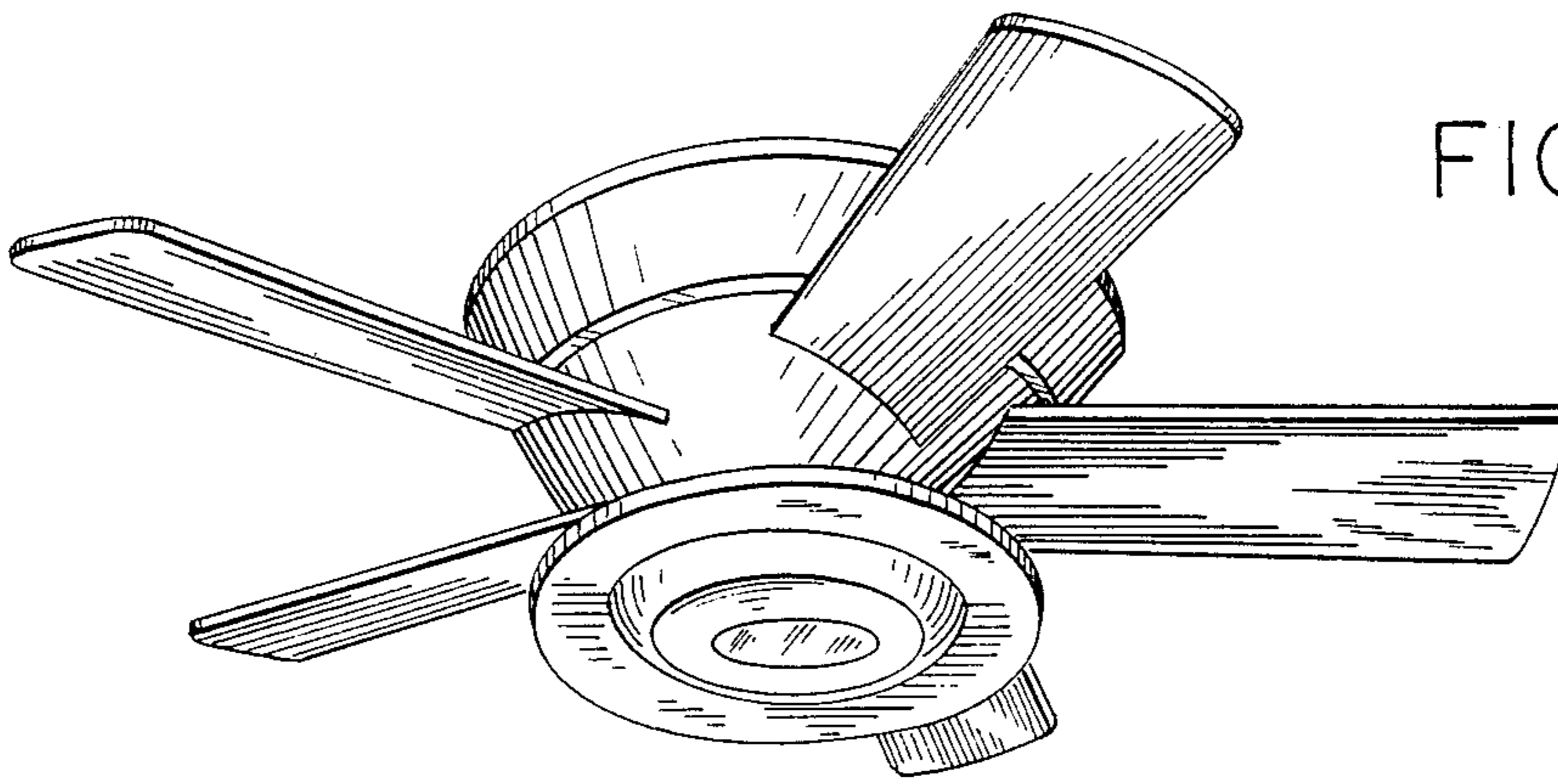


FIG. 1

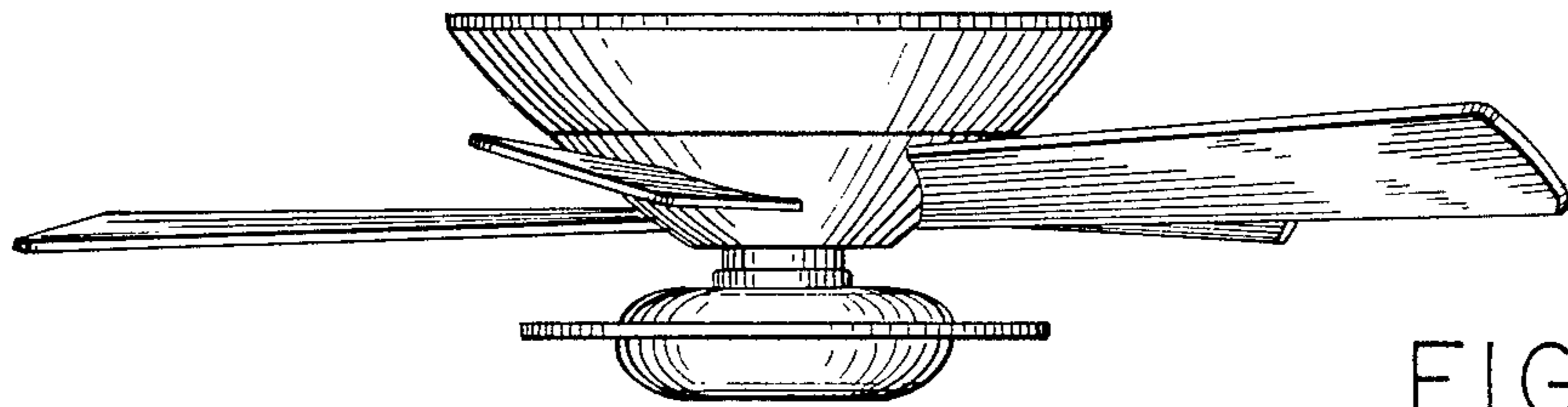
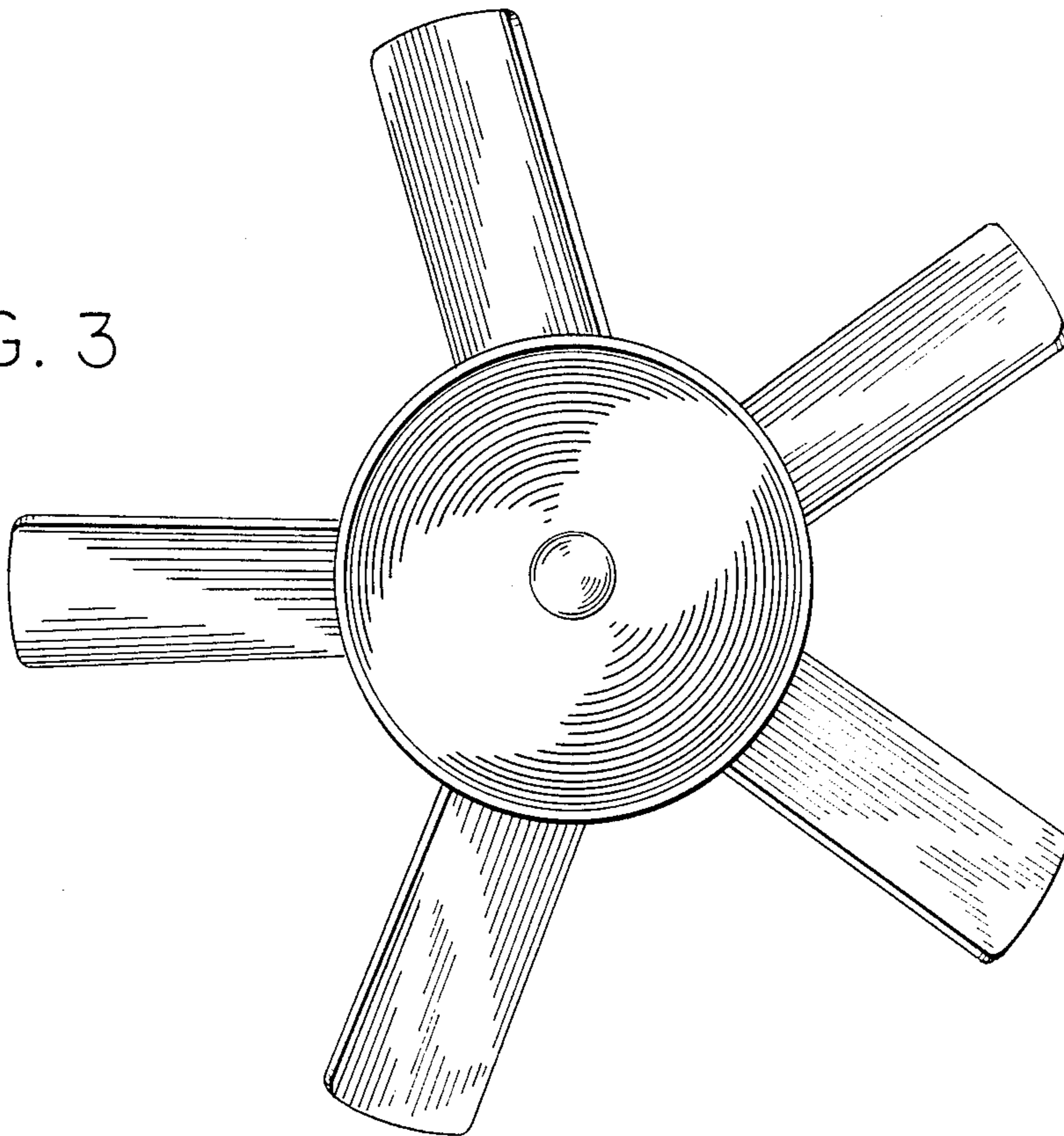


FIG. 2

FIG. 3



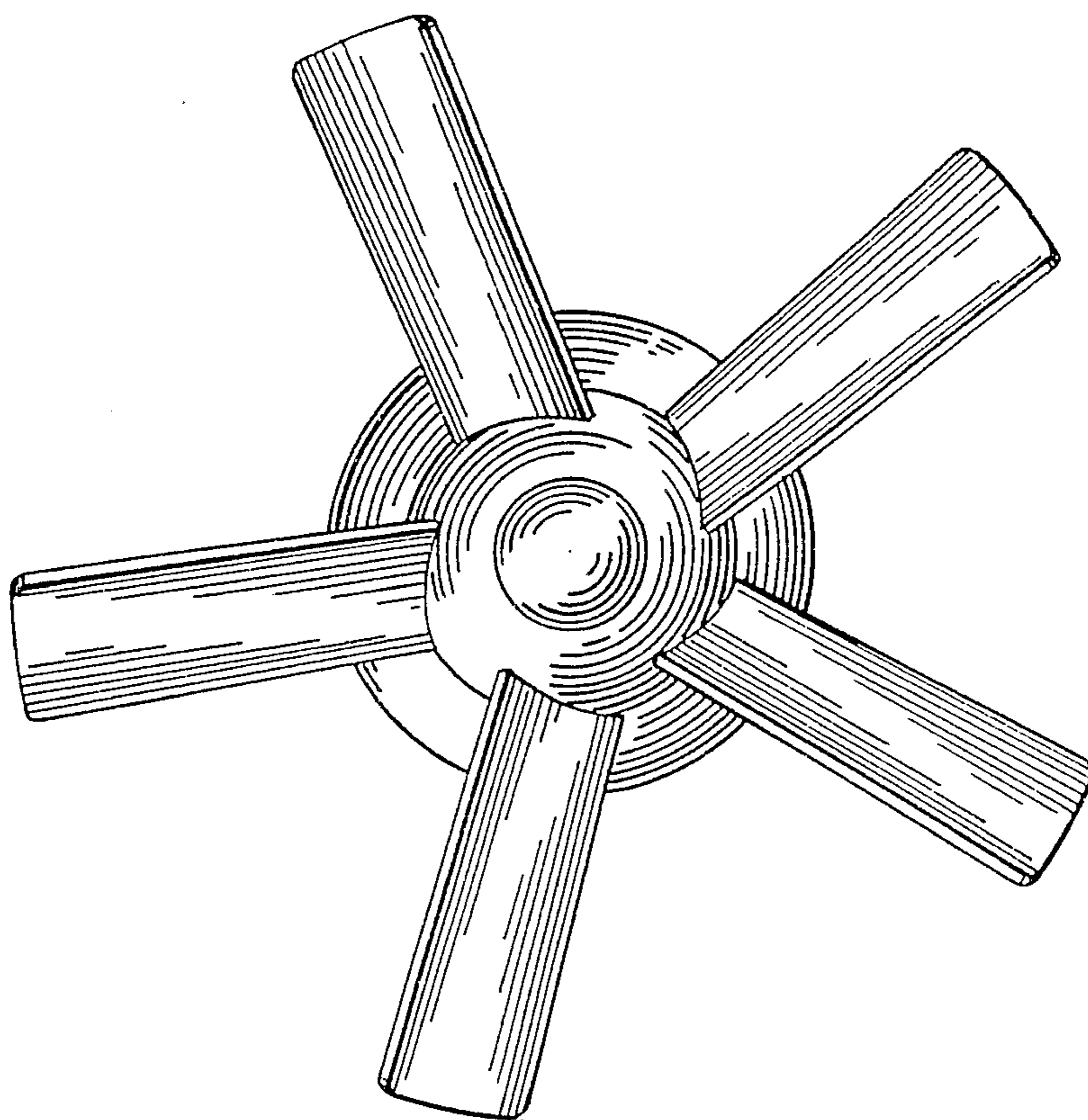


FIG. 4

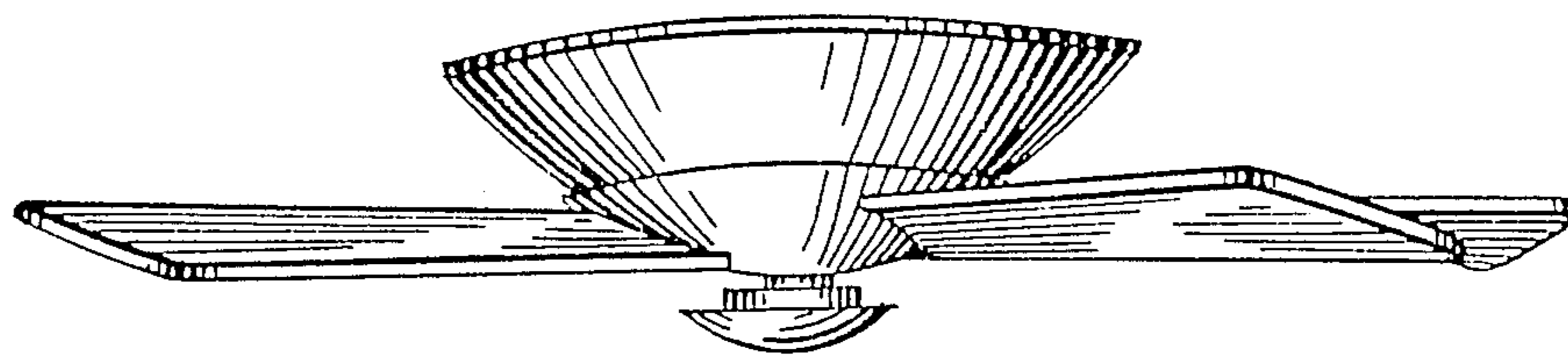


FIG. 5