

[54] CEILING FAN SIMULATING AN AIRCRAFT ENGINE

[76] Inventor: Jerry F. Weber, 779 Pine Hill Rd. North, Tarrant, Ala. 35217

[**] Term: 14 Years

[21] Appl. No.: 202,442

[22] Filed: Jun. 6, 1988

[52] U.S. Cl. D23/377

[58] Field of Search D23/370, 377, 379, 385; D26/51, 59; 416/206, 205, 5; 362/96, 404, 405; D12/344, 345, 339

[56] References Cited

U.S. PATENT DOCUMENTS

- D. 91,720 3/1934 Monteith et al. D12/344
- D. 127,919 6/1941 Burton et al. D12/344
- D. 137,889 5/1944 Kartveli et al. D12/344
- D. 146,221 1/1947 Heinemann et al. D12/344
- D. 217,193 4/1970 Lindsay, Jr. D12/344
- D. 246,796 12/1977 Laymon et al. D23/413

D. 270,563 9/1983 Phillips D23/379

FOREIGN PATENT DOCUMENTS

361316 1/1973 U.S.S.R. 416/5

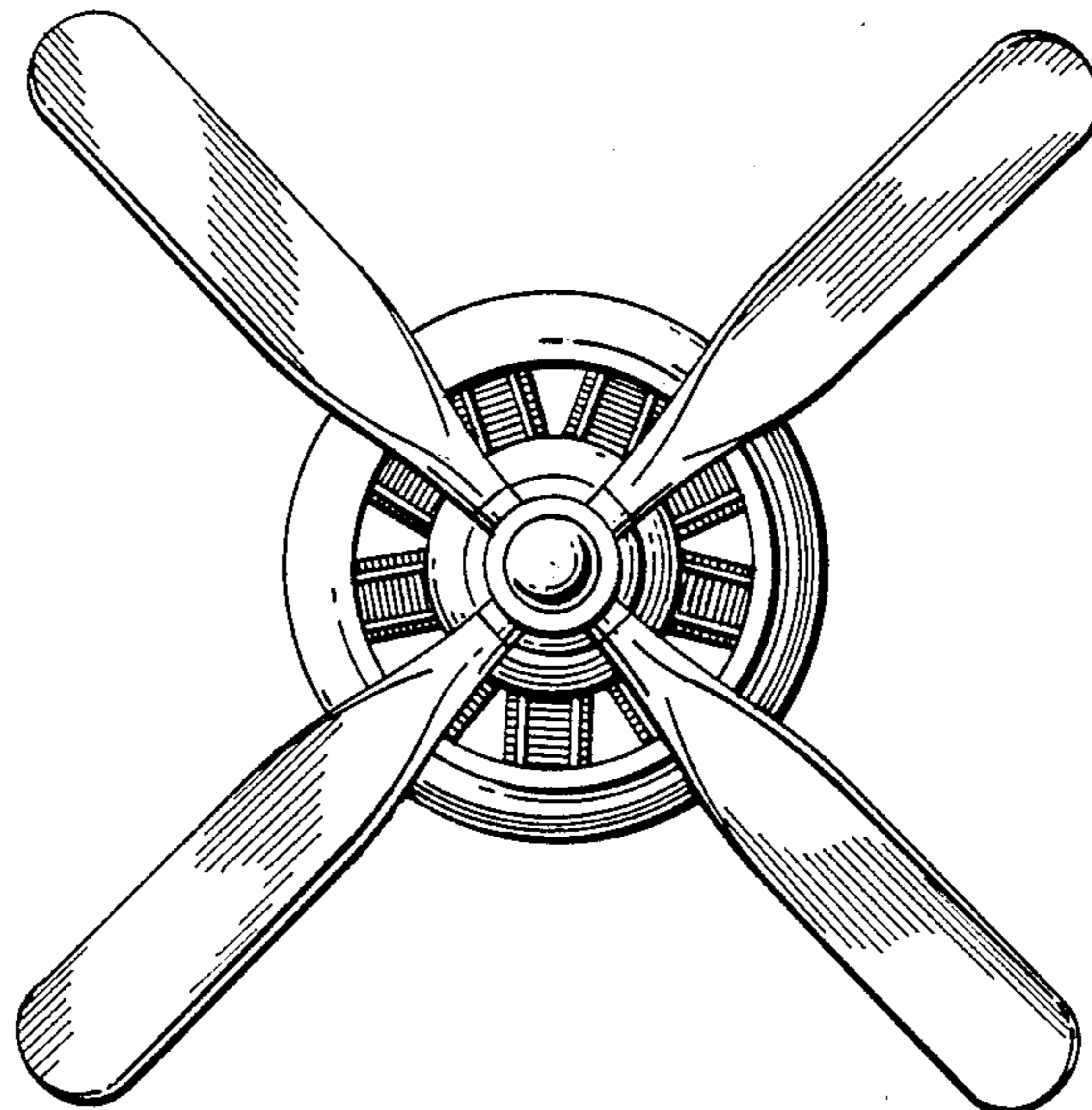
Primary Examiner—James M. Gandy
Assistant Examiner—Lisa Lichtenstein
Attorney, Agent, or Firm—L. F. Hilbers

[57] CLAIM

The ornamental design for a ceiling fan simulating an aircraft engine, as shown and described.

DESCRIPTION

FIG. 1 is a bottom plan view of a ceiling fan simulating an aircraft engine, showing my new design; FIG. 2 is a side elevational view thereof, the opposite side being a mirror image of that shown; FIG. 3 is a top plan view thereof; FIG. 4 is a partial cross-sectional view thereof, taken along the line 4—4 of FIG. 3, with the bottom portion rotated 45° and shown in side elevation and the fan blades omitted.



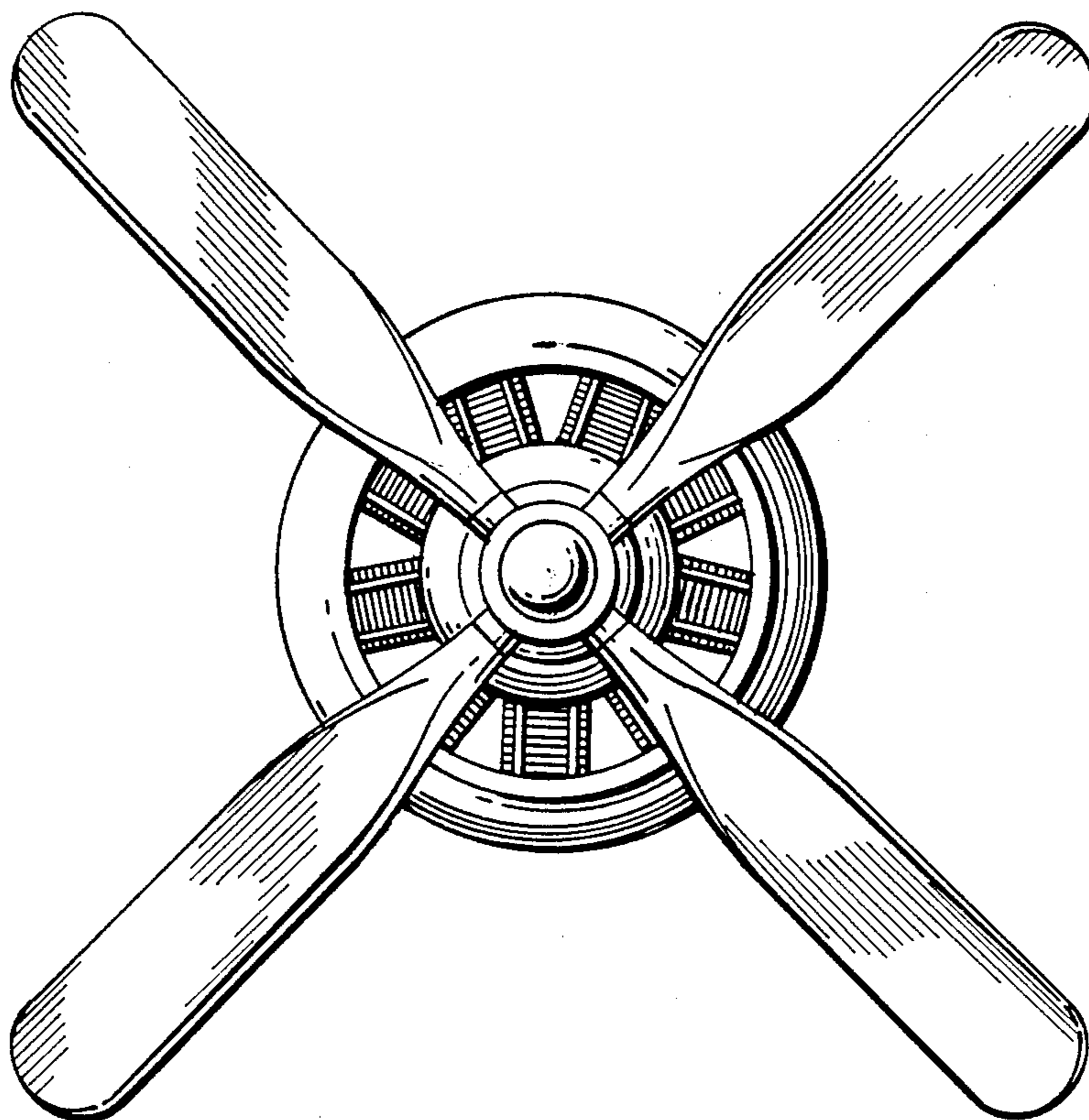


FIG. 1

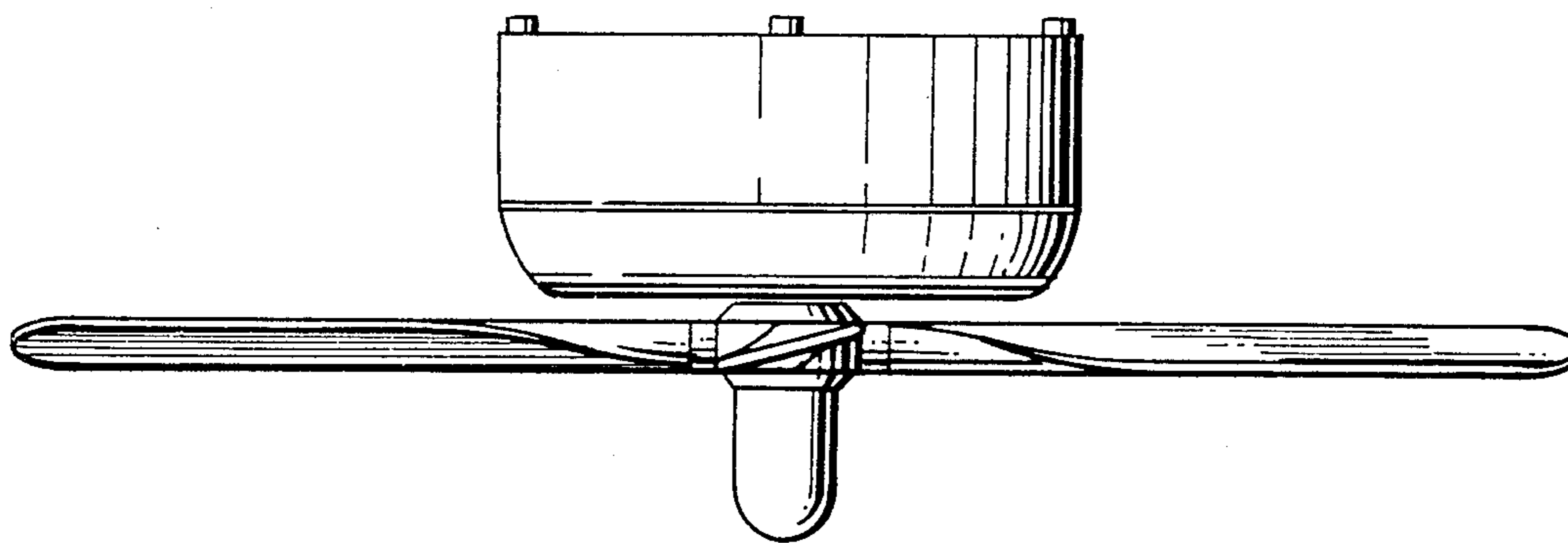


FIG. 2

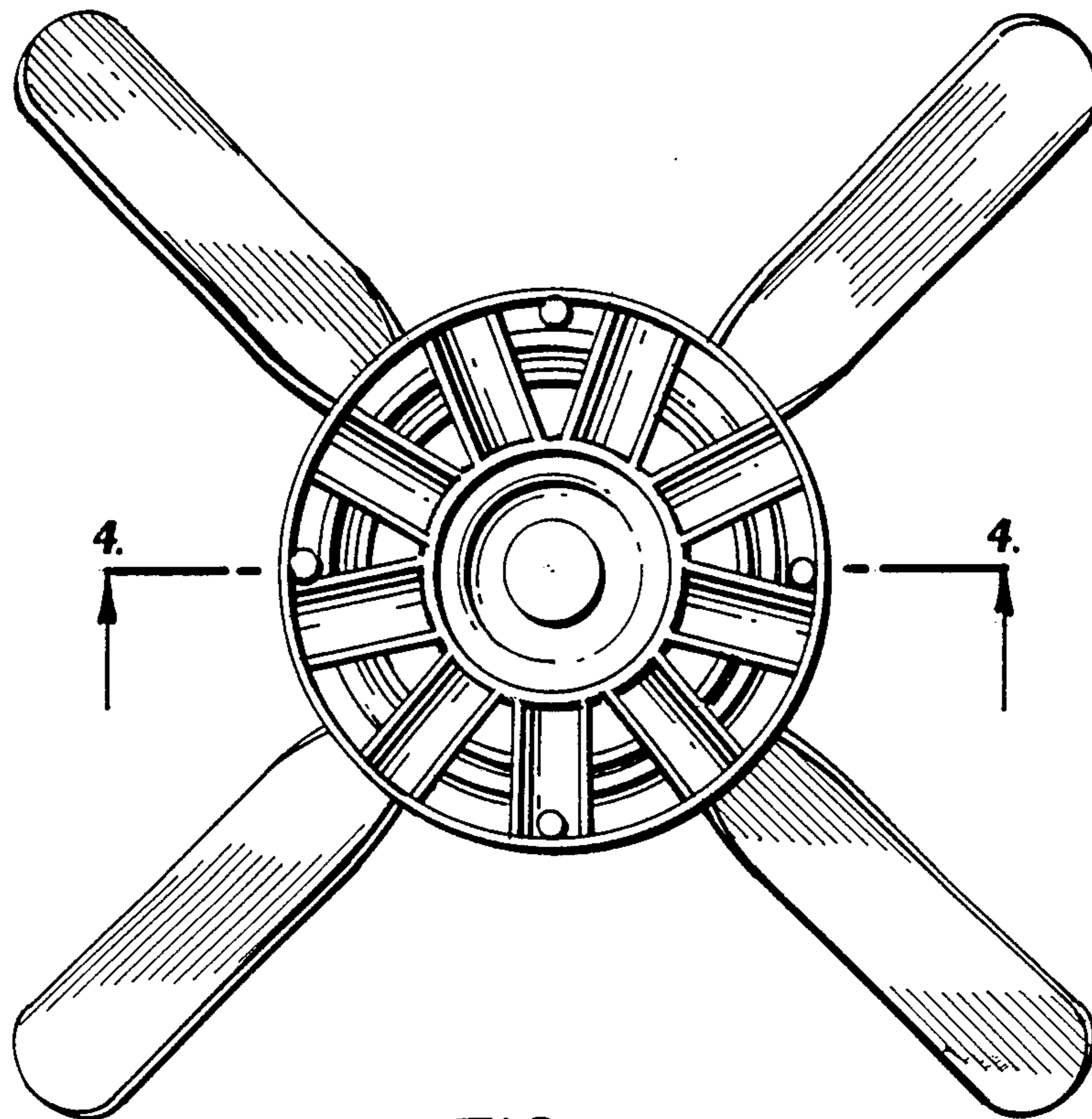


FIG. 3

FIG. 4

