

[54] RANGE HOOD FOR RECREATIONAL VEHICLES

[75] Inventors: Thomas W. Fleming, Van Nuys; Gary D. Rose, Anaheim, both of Calif.

[73] Assignee: Jensen General Corp., Los Angeles, Calif.

[**] Term: 14 Years

[21] Appl. No.: 196,113

[22] Filed: May 19, 1988

[52] U.S. Cl. D23/372

[58] Field of Search D23/324, 372, 373, 385; 126/299 D

[56] References Cited

U.S. PATENT DOCUMENTS

D. 157,296	2/1950	Sonntag	D23/372
D. 195,112	4/1963	Clark et al.	D23/372
D. 195,236	5/1963	Clark et al.	D23/372
D. 199,009	8/1964	Herman	D23/372
D. 208,513	9/1967	Rowald	D23/372
D. 237,971	12/1975	Chiang	D23/372
D. 274,934	7/1984	Johnson	D23/372
2,807,994	10/1957	Bernstein	126/299 D X
2,828,683	4/1958	Joseph et al.	126/299 D
2,888,871	6/1959	Fischer et al.	126/299 D
2,962,955	12/1960	Bernstein	126/299 R X
2,971,451	12/1961	Feig	126/299 D
2,993,428	7/1961	Wermager	126/299 D
3,075,335	1/1963	Bandlow	55/385.1
3,098,423	7/1963	Giannini	126/299 D
3,233,606	2/1966	Turner et al.	126/299 D
3,690,245	9/1972	Ferlise et al.	126/299 D
4,133,300	1/1979	Burton, Jr. et al.	126/299 D
4,766,881	8/1988	Pax	126/299 D

FOREIGN PATENT DOCUMENTS

1297543	5/1962	France	126/299 D
80440	4/1987	Japan	126/299 D

OTHER PUBLICATIONS

American Builder, Oct. 1959, p. 81, Dual-Blower Hood Combination, lower left side of page.

Philip Carey Mfg. Co., Miami Carey Div. Adv. Brochure, pp. 2 and 3.

Coverange Hood with Mixed-Flow Impeller and with Propeller-Type Fan, tops of pages, and p. 5.

Duct-Free Coverange Hood with Triple Filtering System, top of page.

Primary Examiner—James M. Gandy

Assistant Examiner—Lisa Lichtenstein

Attorney, Agent, or Firm—Harlan P. Huebner

[57] CLAIM

The ornamental design for a range hood for recreational vehicles, as shown and described.

DESCRIPTION

FIG. 1 is a bottom, front perspective view of a range hood for recreational vehicles, showing our new design;

FIG. 2 is a top plan view thereof;

FIG. 3 is a front elevation view thereof;

FIG. 4 is a right side elevation view thereof;

FIG. 5 is a left side elevation view thereof;

FIG. 6 is a bottom plan view thereof;

FIG. 7 is a rear elevation view thereof;

FIG. 8 is a front elevation view of a range hood for recreational vehicles, showing a second embodiment of our new design;

FIG. 9 is a front elevation view of a range hood for recreational vehicles, showing a third embodiment of our new design;

FIG. 10 is a front elevation view of a range hood for recreational vehicles, showing a fourth embodiment of our new design; and

FIG. 11 is a front elevation view of a range hood for recreational vehicles, showing a fifth embodiment of our new design.

The top, sides, bottom, and rear of the second, third, fourth, and fifth embodiments of the range hood are understood to be the same as the top, sides, bottom, and rear of the first embodiment of the range hood, as shown in FIGS. 2, 4, 5, 6, and 7, respectively.

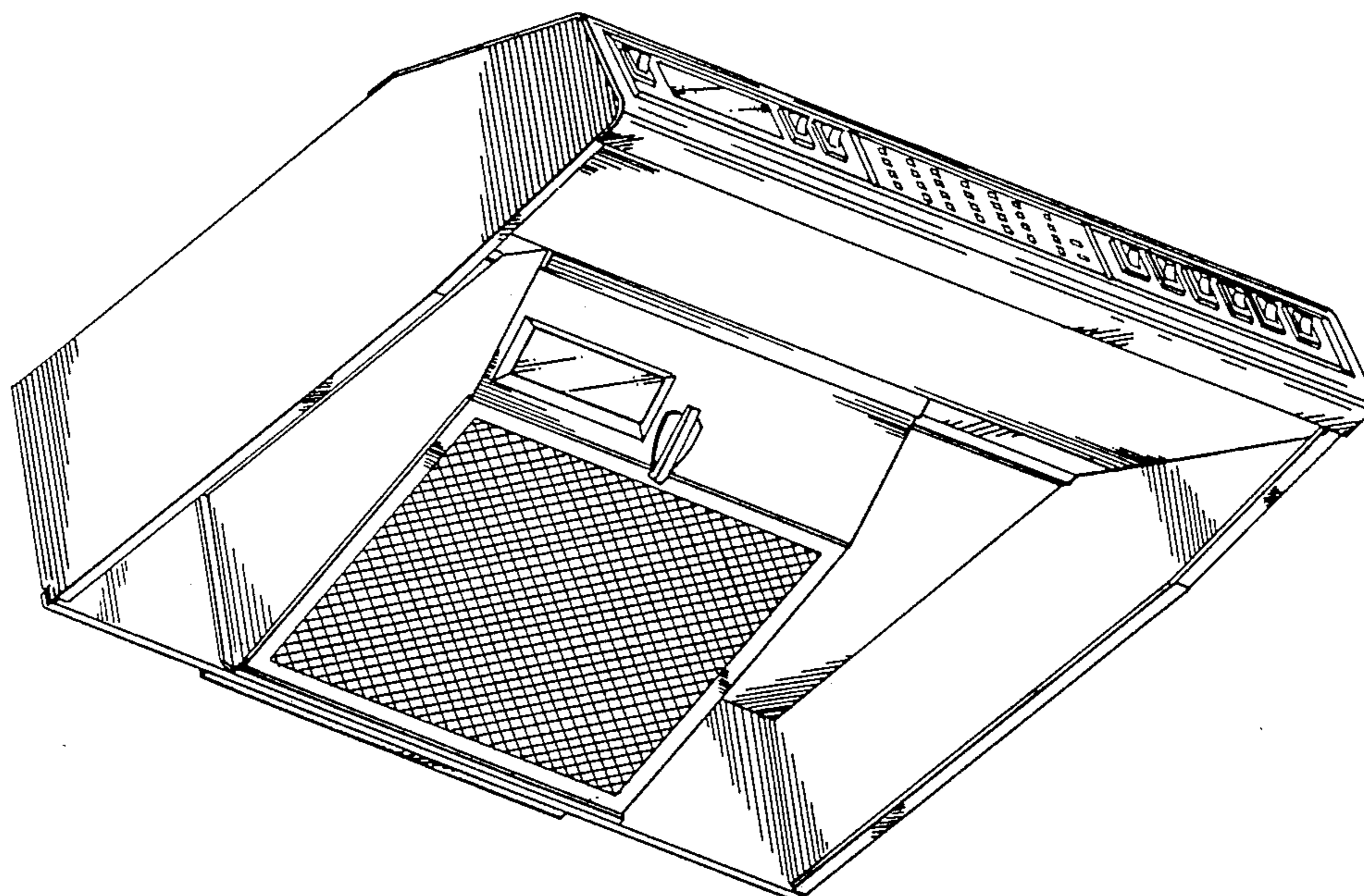


FIG. 1.

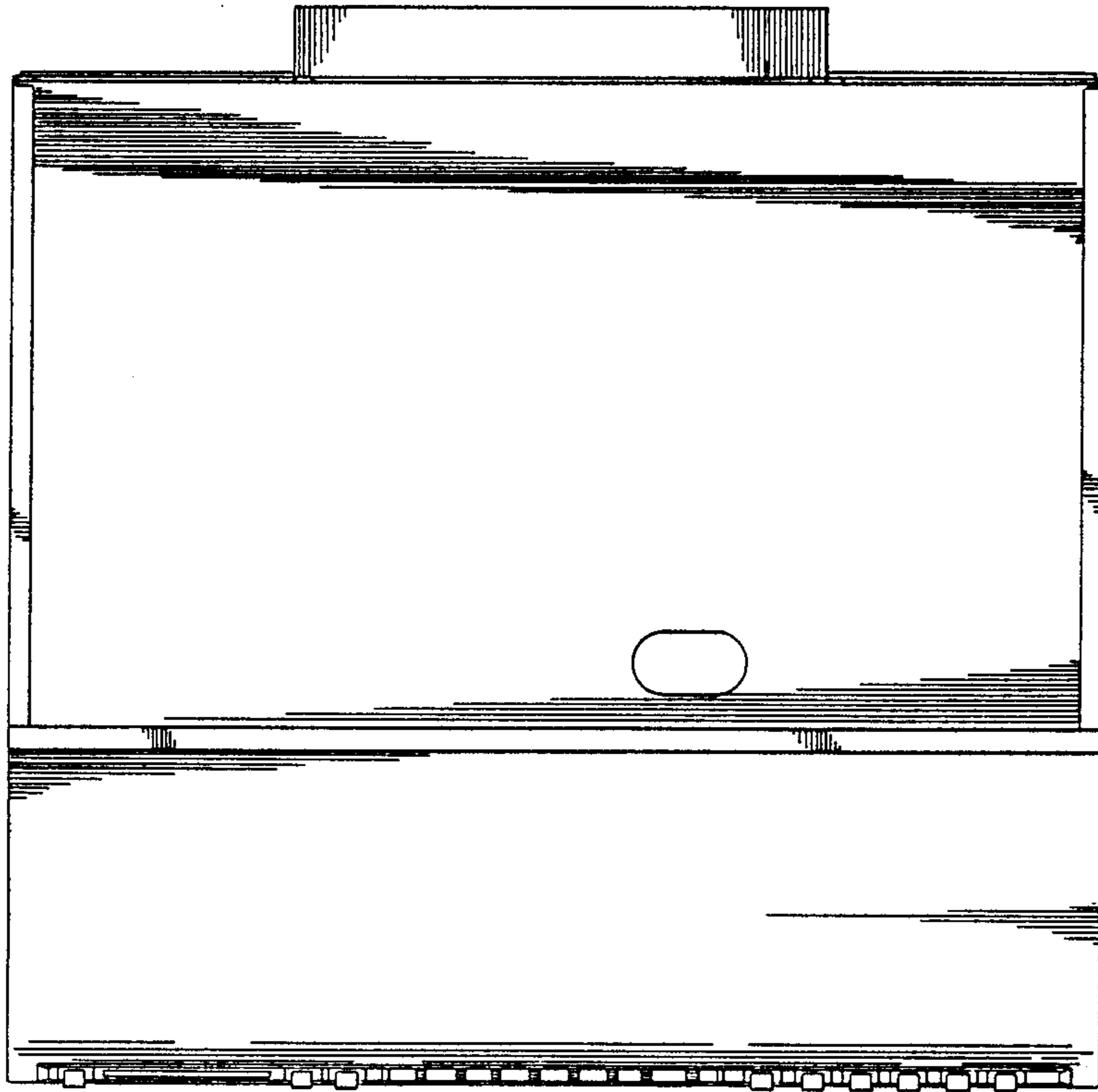
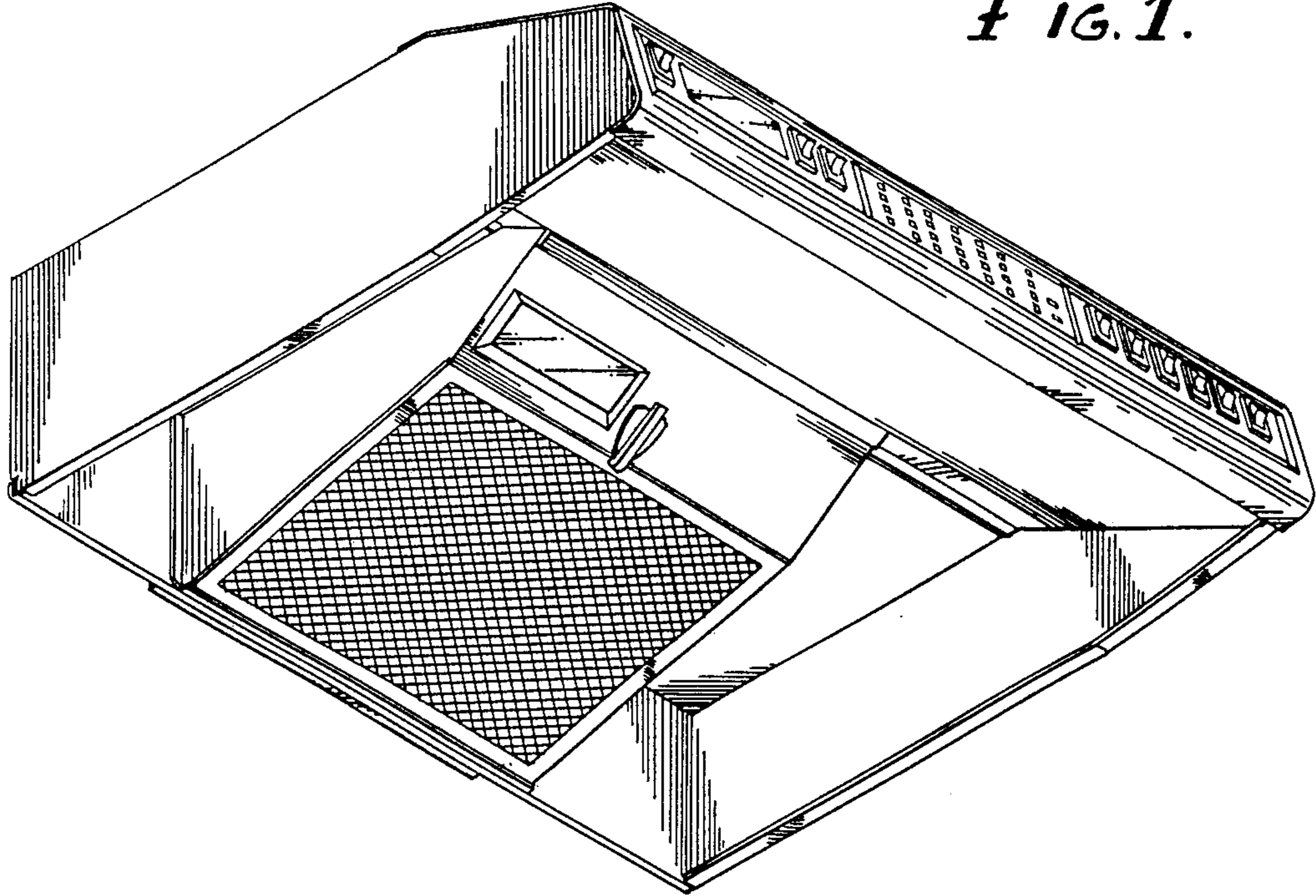


FIG. 2.

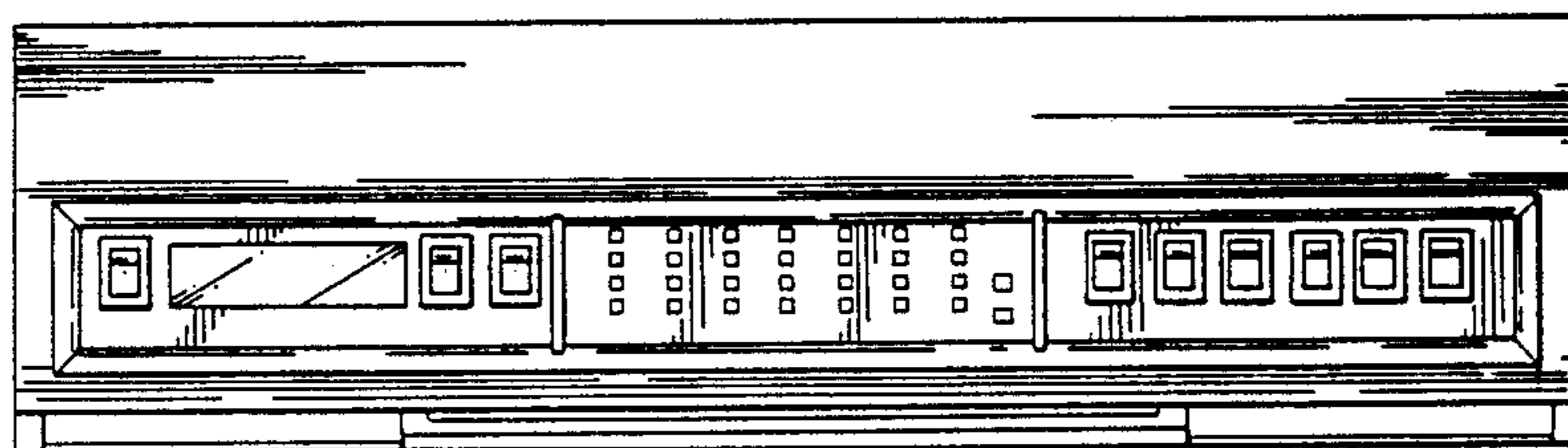


FIG. 3.

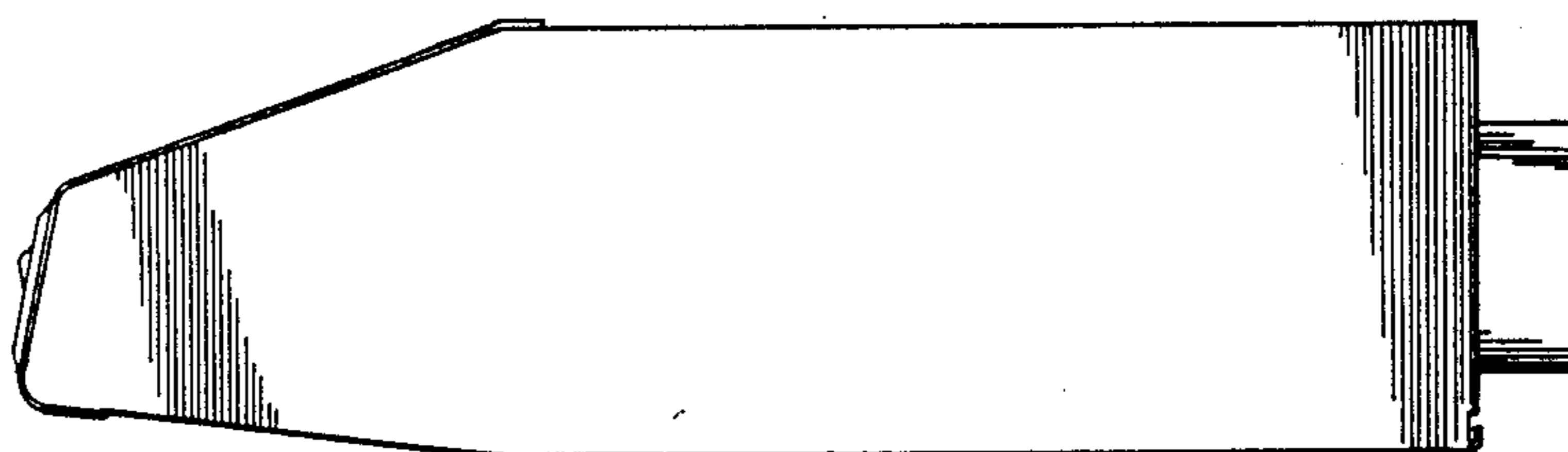


FIG. 4.

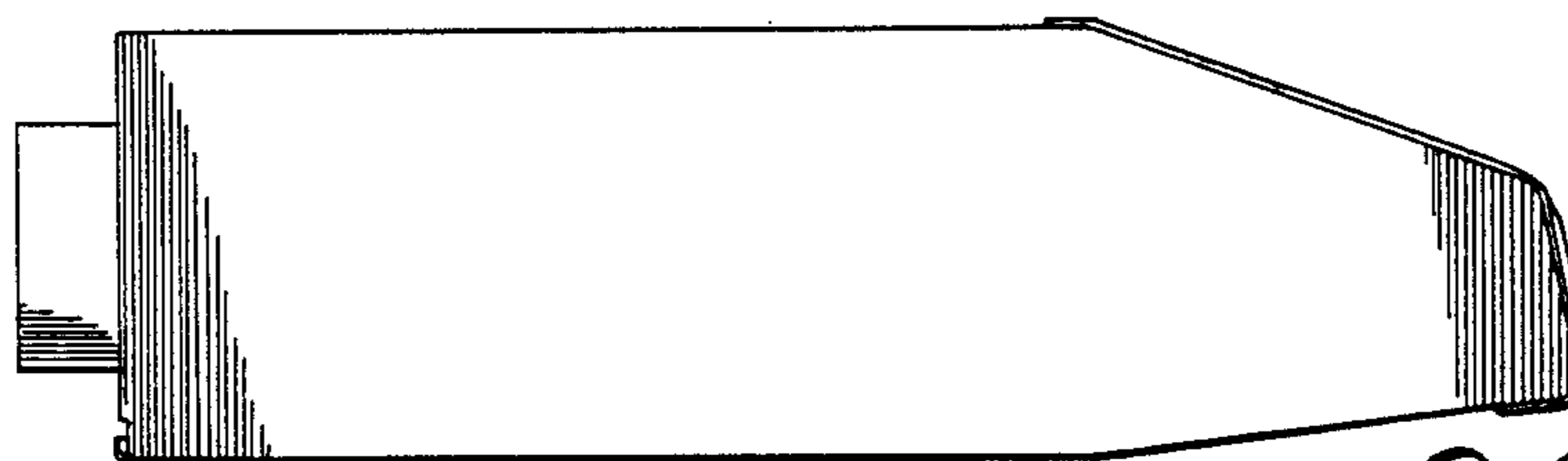
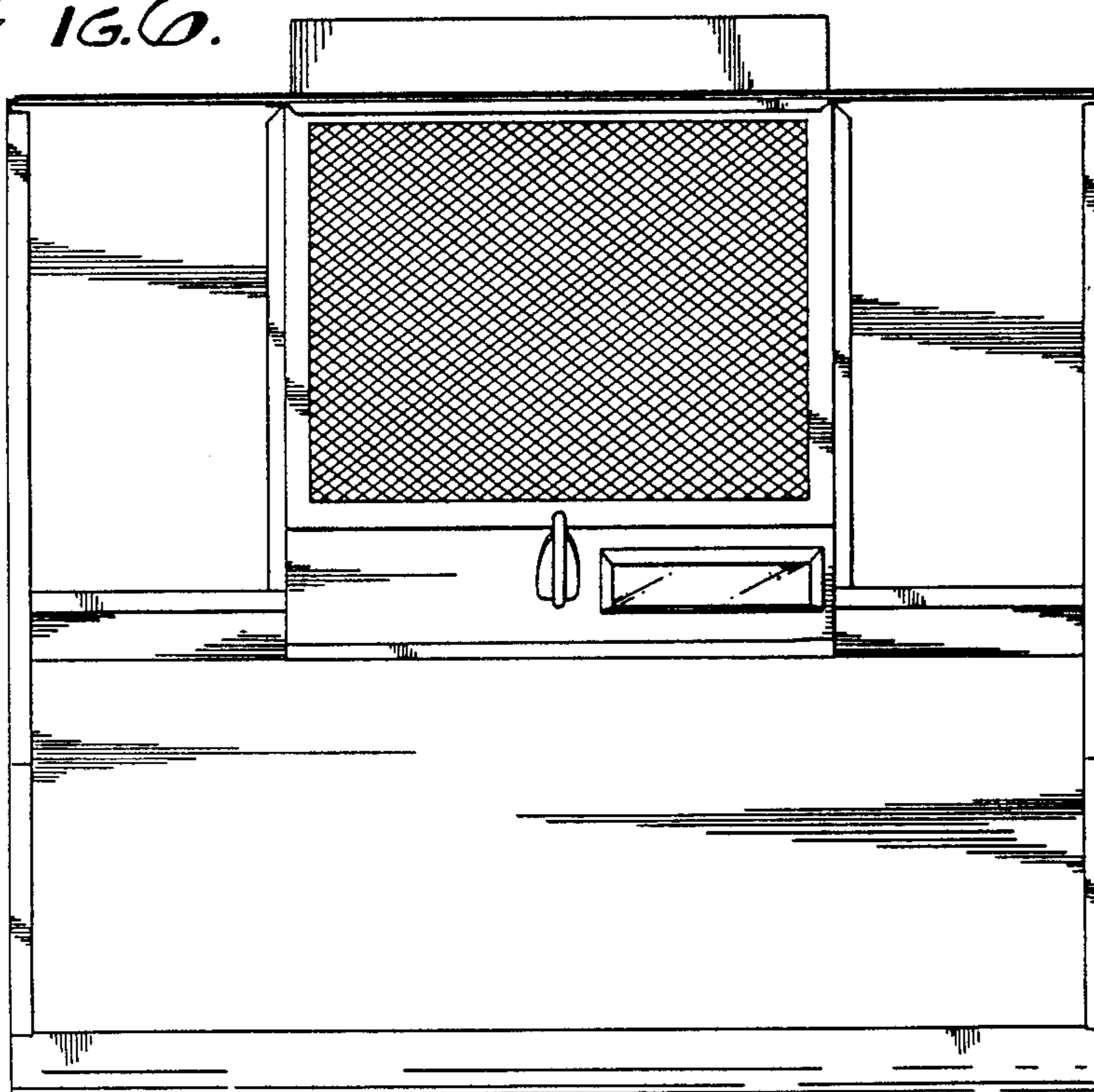


FIG. 5.

FIG. 6.



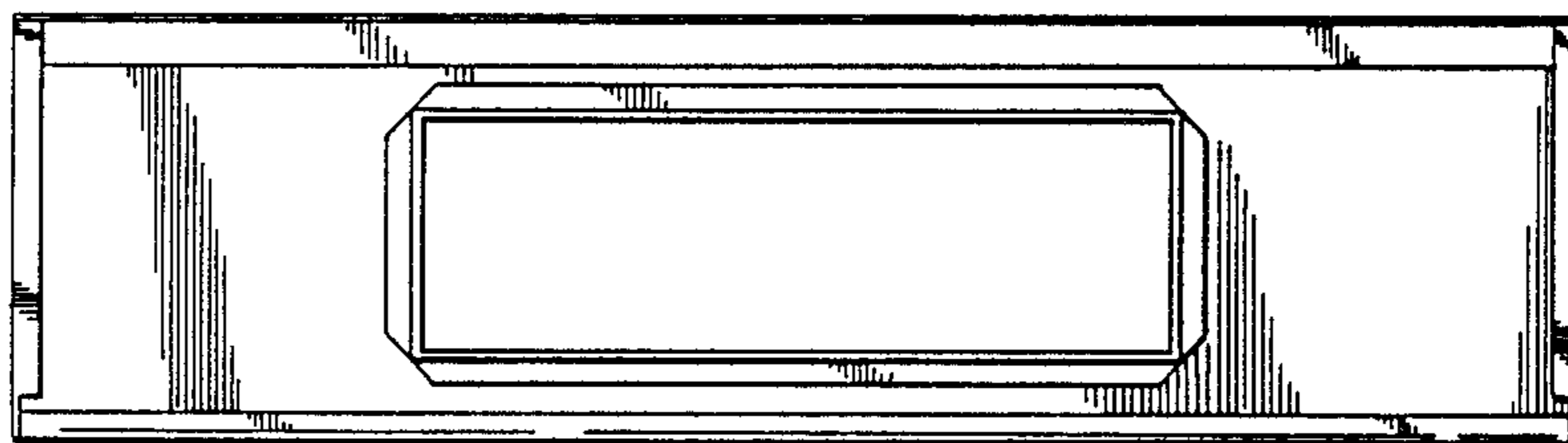


FIG. 7.

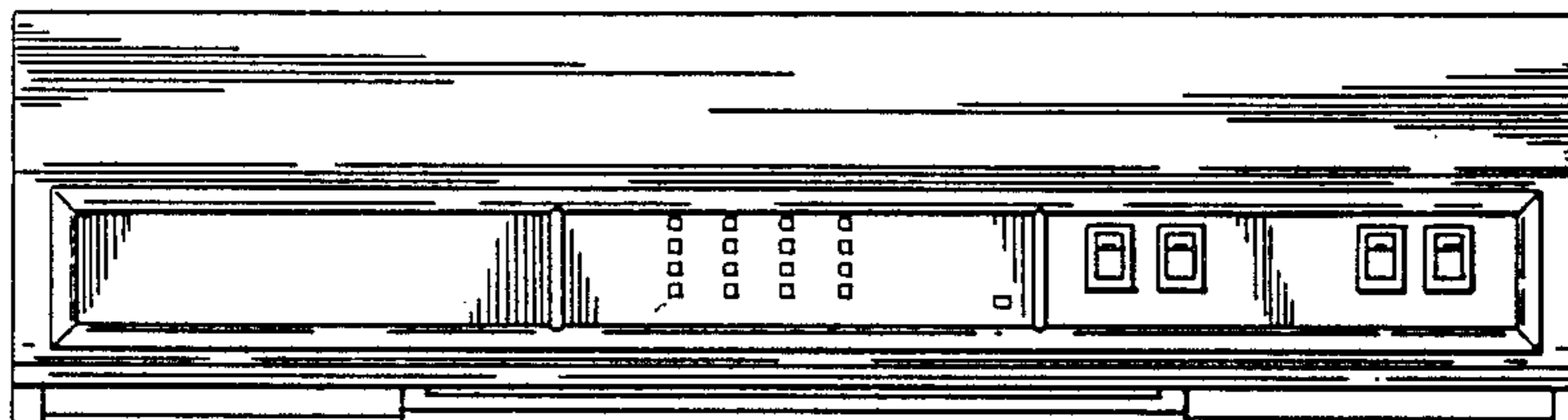


FIG. 8.

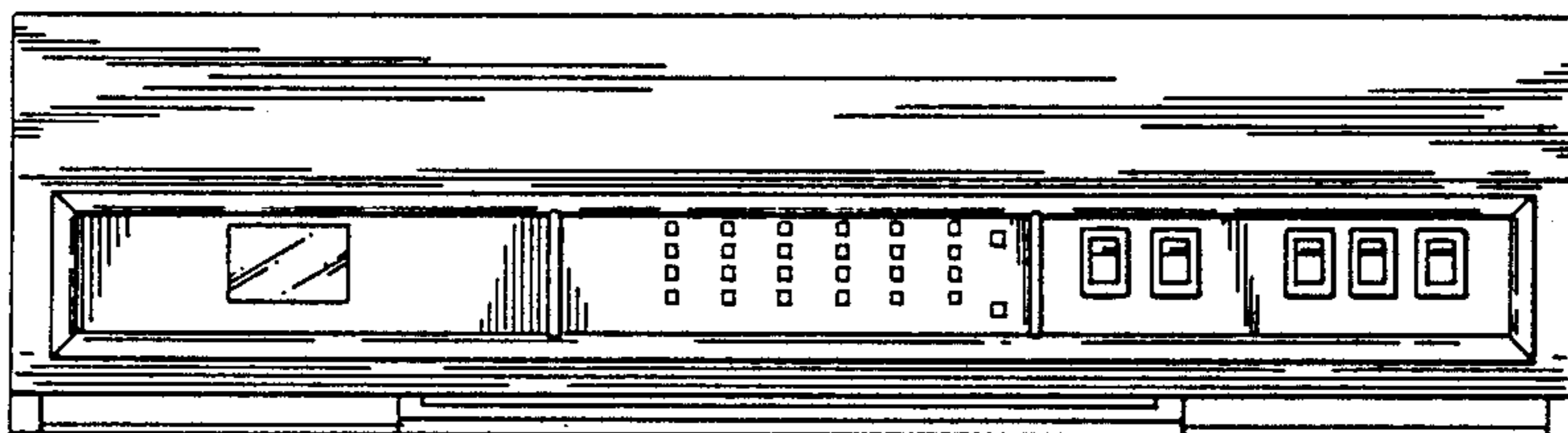


FIG. 9.

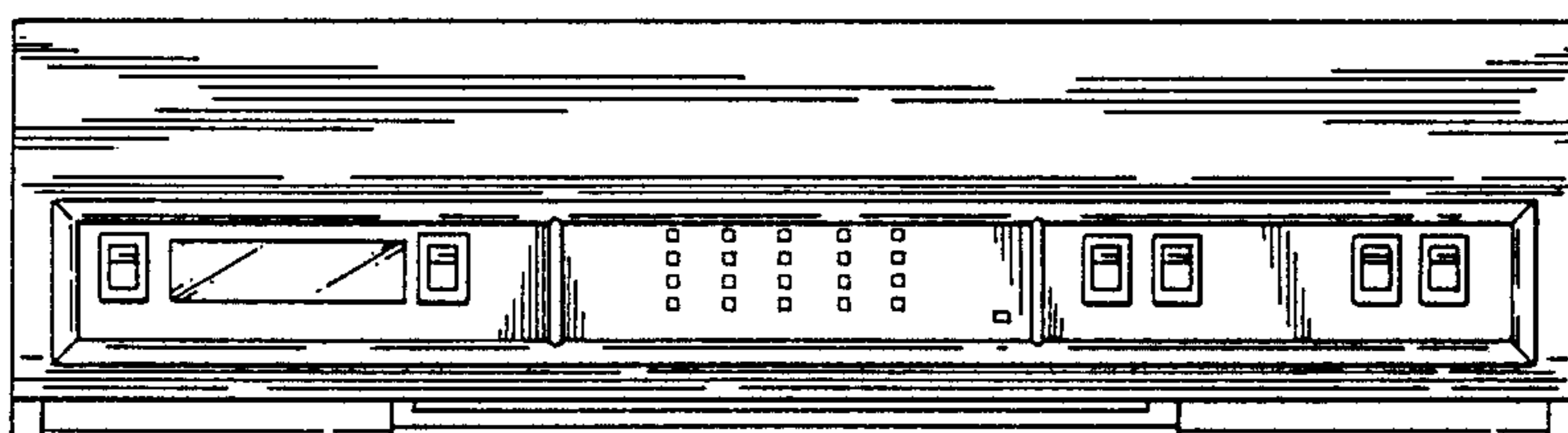


FIG. 10.

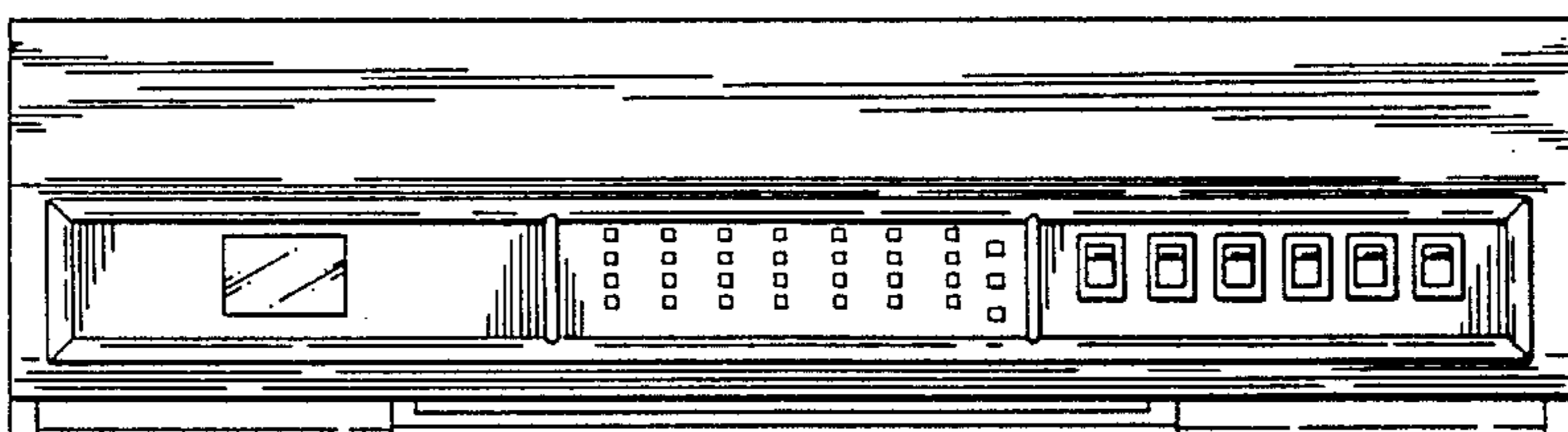


FIG. 11.

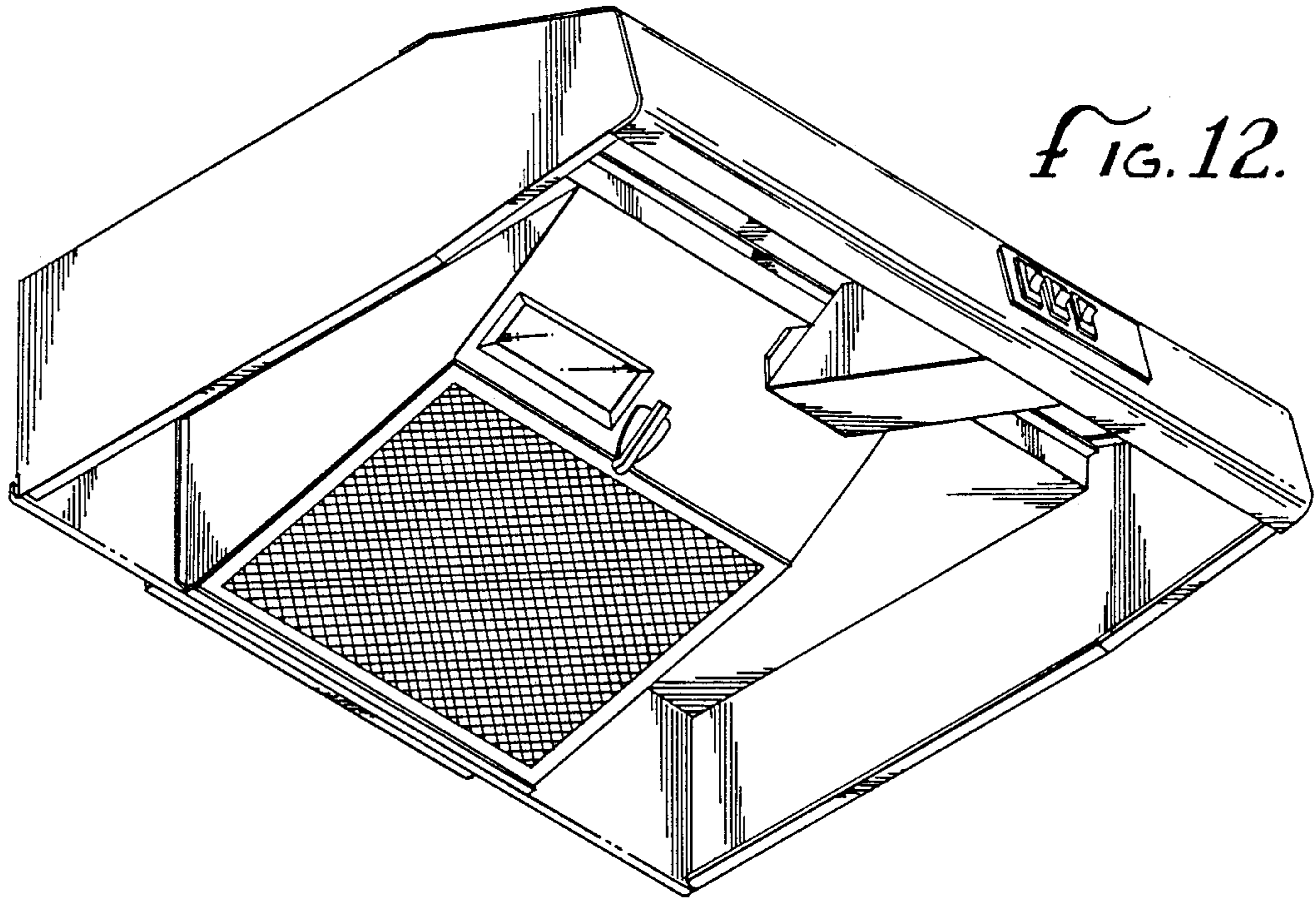


FIG. 12.

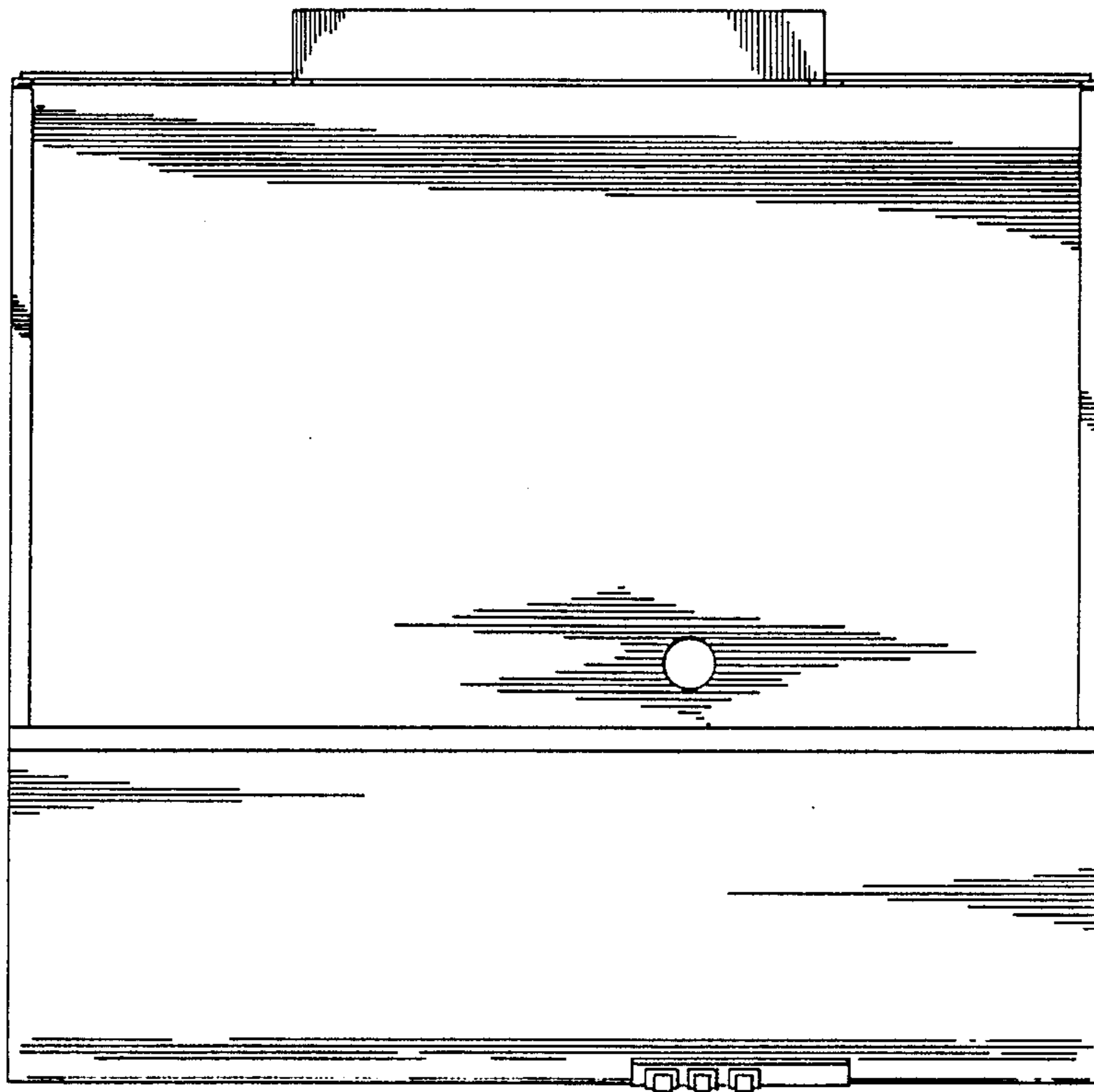


FIG. 13.

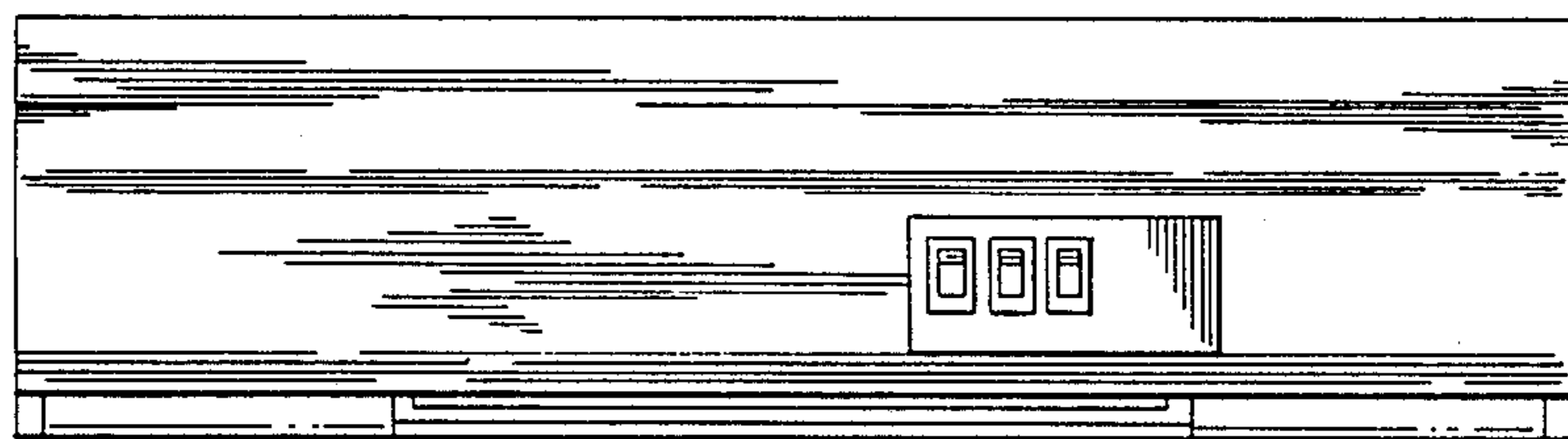


FIG. 14.

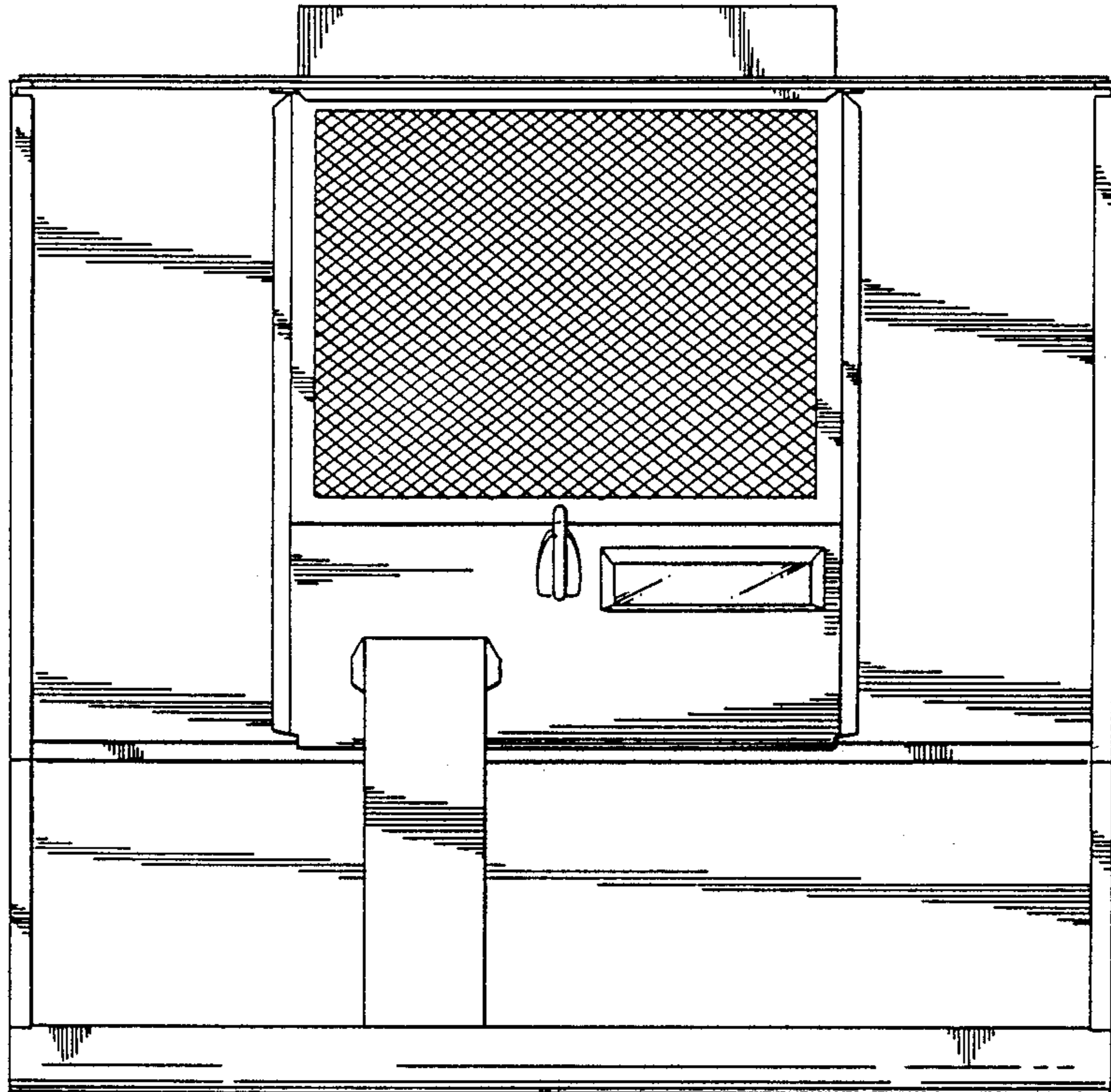


Fig. 15.

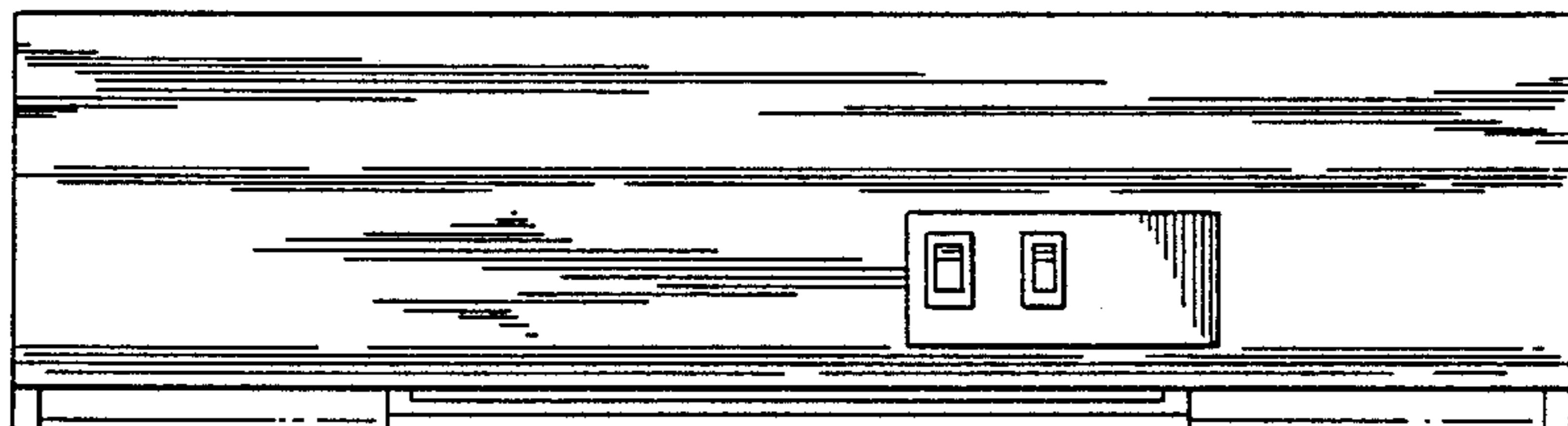


Fig. 16.

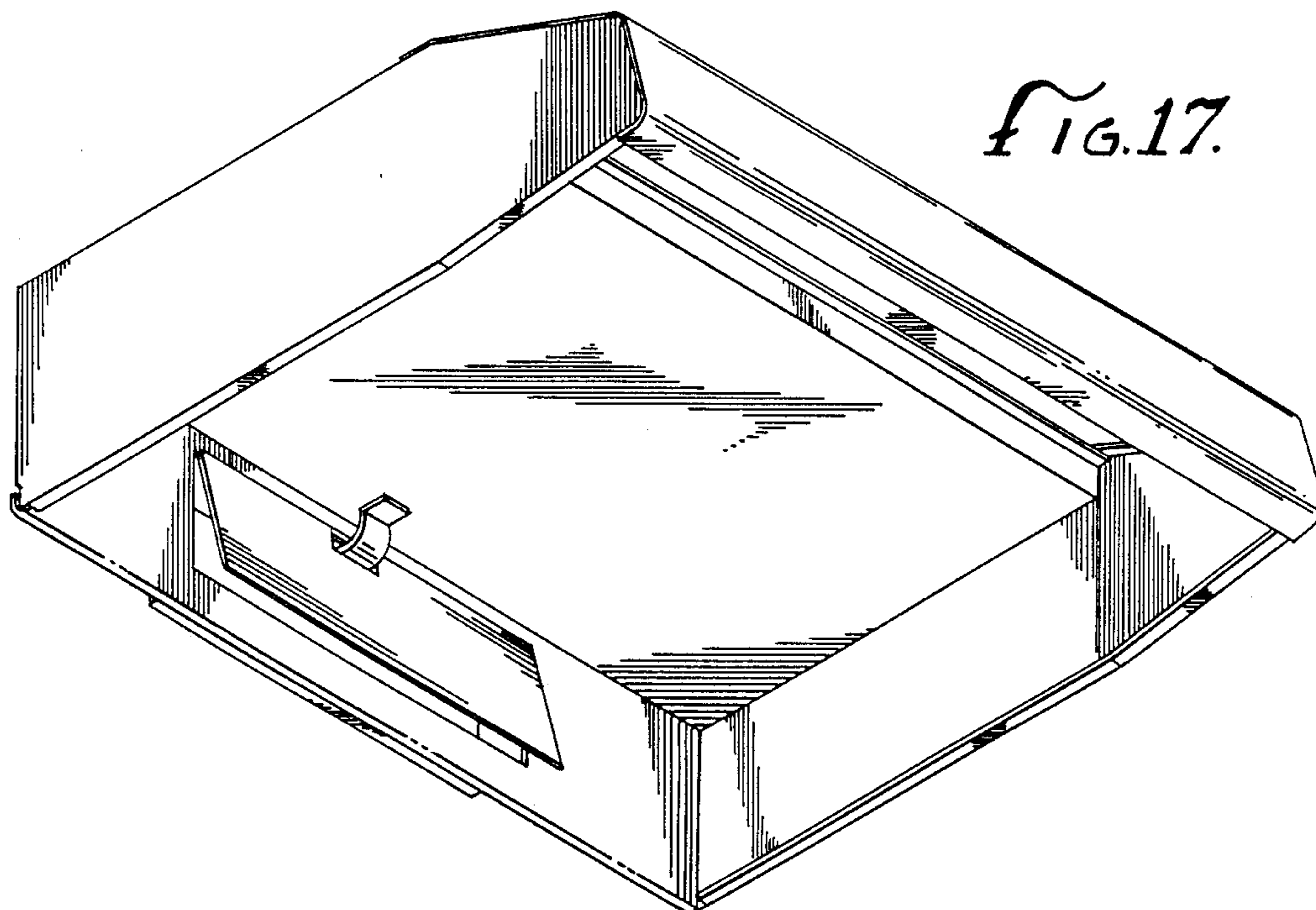


Fig. 17.

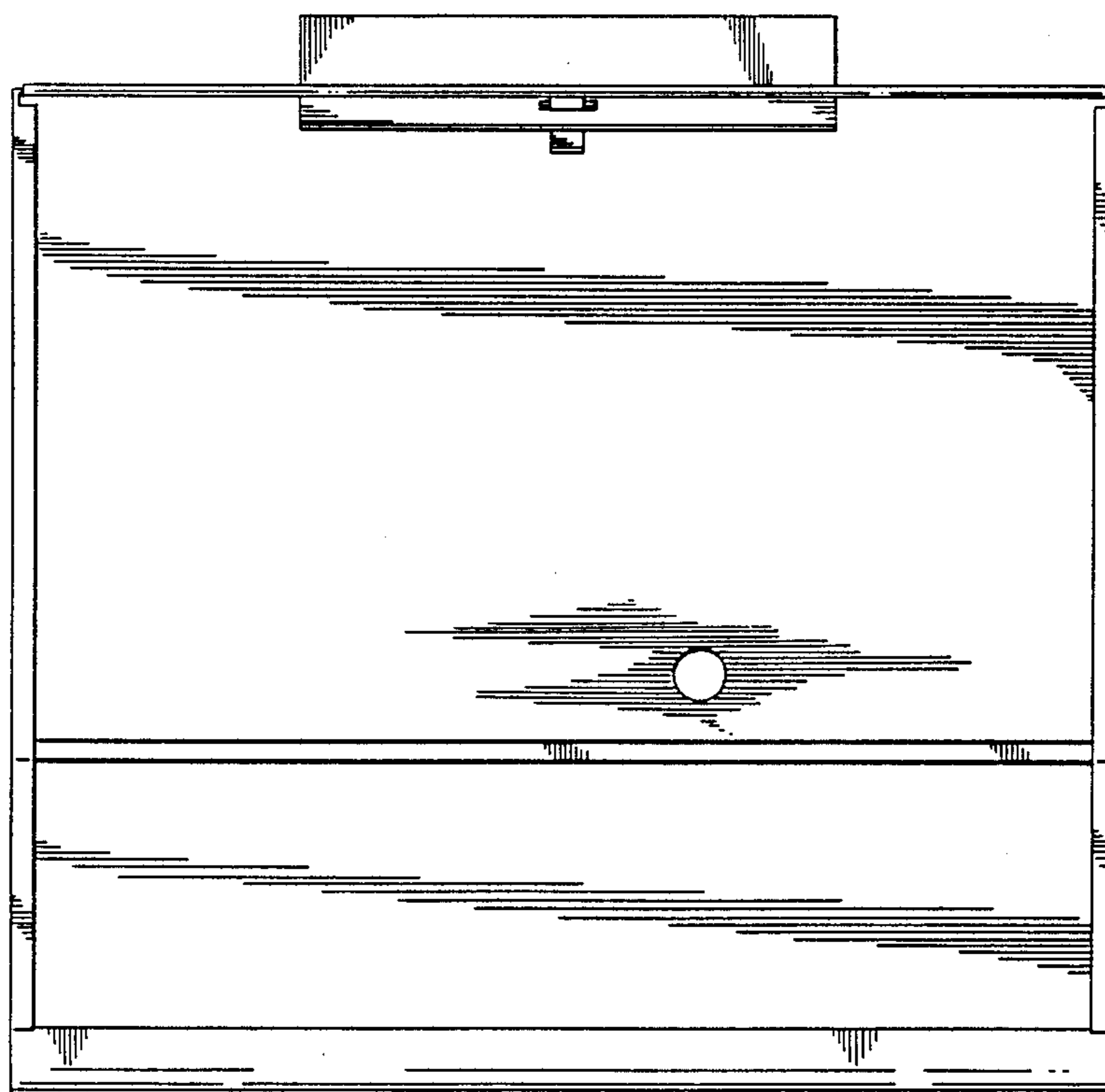


Fig. 18.

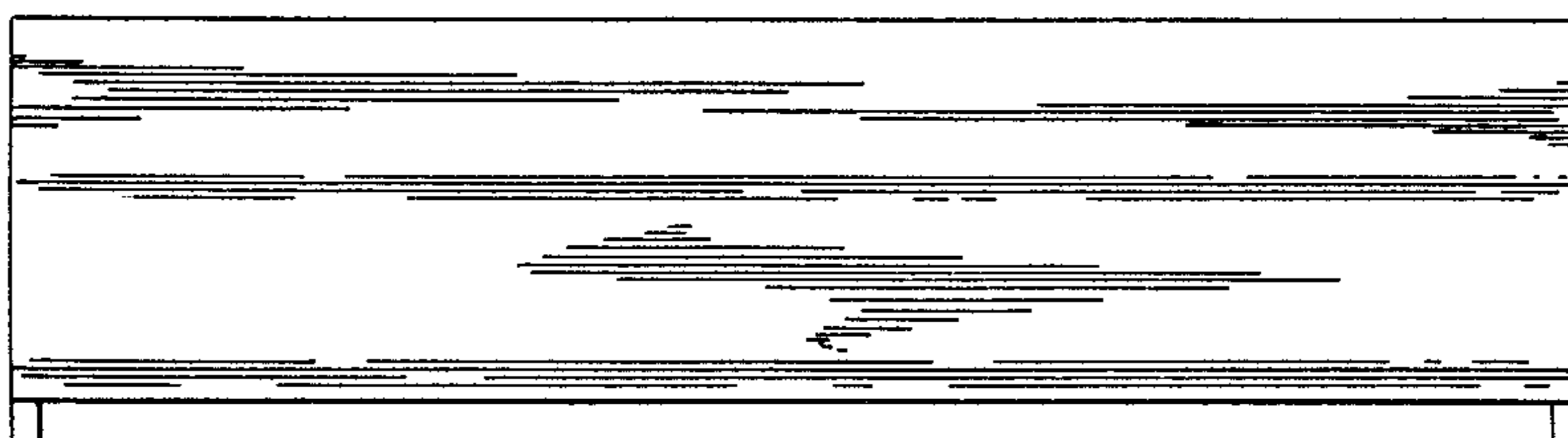


Fig. 19.