

[54] HEATER FOR PLASTIC OR POLYVINYL CHLORIDE CONDUIT

[76] Inventors: Michael D. Kirkes, 99 Sunvalley Ct., Merced, Calif. 95348; Steven P. Wallace, 833 S. Rose, Turlock, Calif. 95380

[**] Term: 14 Years

[21] Appl. No.: 146,149

[22] Filed: Jan. 19, 1988

[52] U.S. Cl. D23/314

[58] Field of Search D23/314; 219/535, 521

[56] References Cited

U.S. PATENT DOCUMENTS

- 4,052,593 10/1977 Ebert 219/521
- 4,749,843 6/1988 Abramson 219/521

OTHER PUBLICATIONS

Ensley Tool Co., Inc. Catalog 19 entitled Ensley Get--The--Job--Done Tools, cover page, index and p. 10, published prior to Jan. 1988.

Primary Examiner—James M. Gandy
Assistant Examiner—Lisa Lichtenstein
Attorney, Agent, or Firm—Lothrop & West

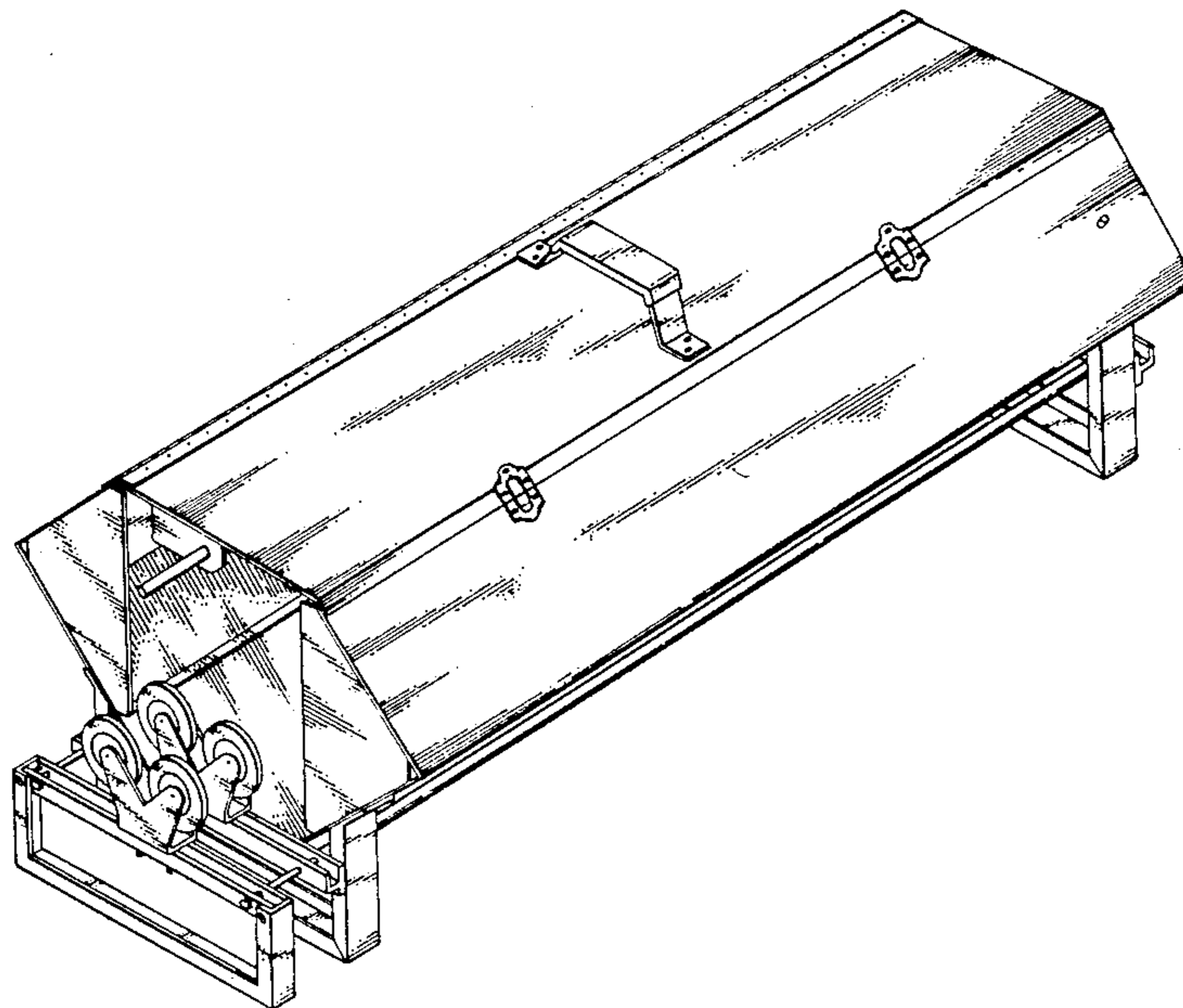
[57] CLAIM

The ornamental design for a heater for plastic or polyvinyl chloride conduit, as shown and described.

DESCRIPTION

FIG. 1 is a left front perspective of a heater for plastic or polyvinyl chloride conduit, showing our new design; FIG. 2 is a front elevational view, thereof; FIG. 3 is a rear elevational view, thereof; FIG. 4 is a top plan view, thereof; FIG. 5 is a bottom plan view, thereof; FIG. 6 is a left end elevational view thereof; FIG. 7 is a right end elevational view thereof; and FIG. 8 is a front elevational view thereof, with the conduit support subframe in extended condition.

The representation of the piece of polyvinyl chloride conduit shown in broken lines in FIG. 8 is included solely for purposes of illustration, and forms no part of the claimed design.



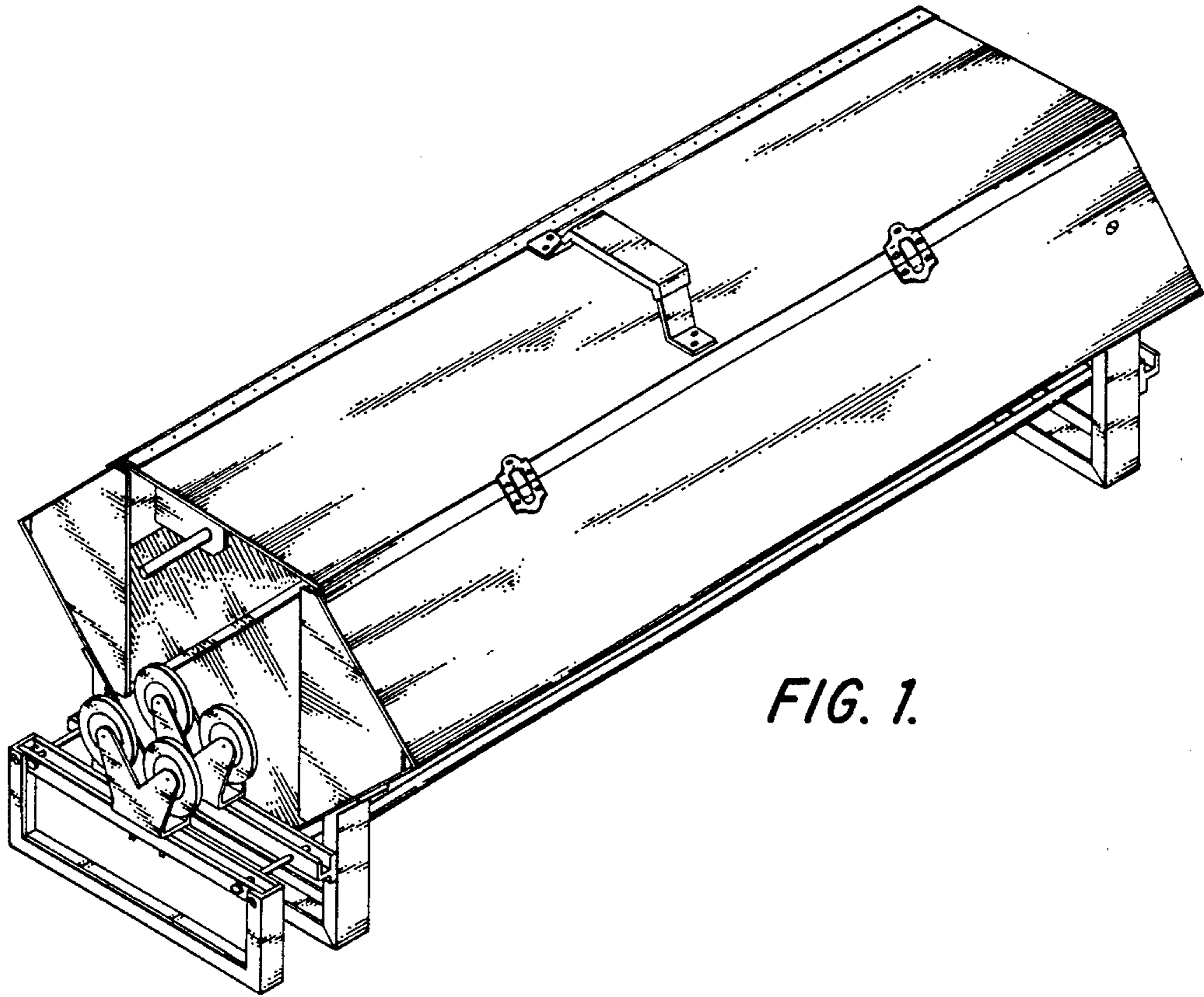


FIG. 1.

FIG. 2.

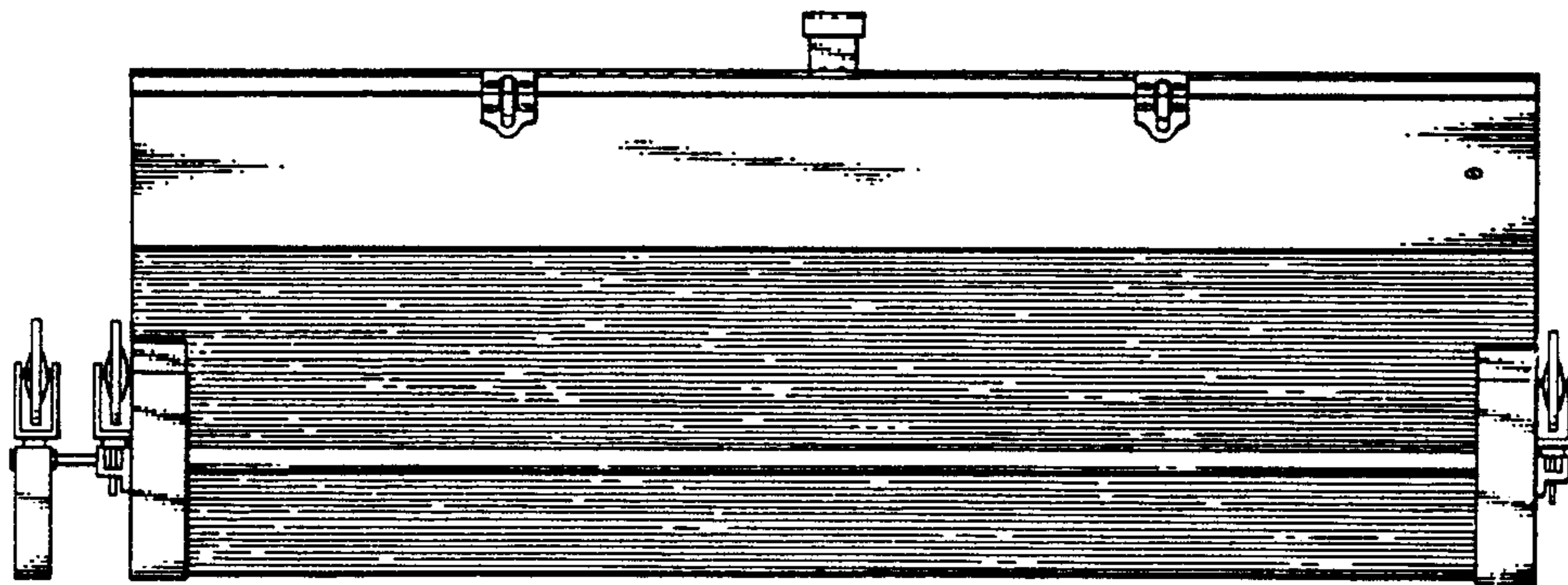


FIG. 3.

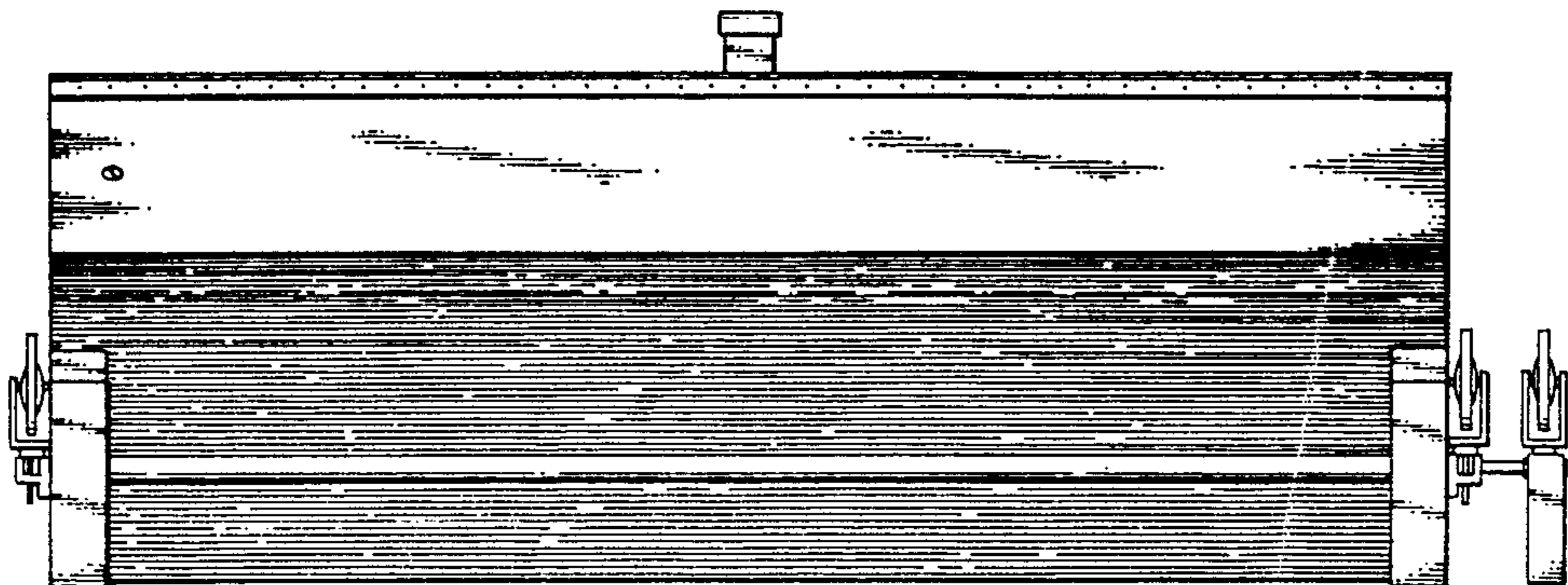


FIG. 4.

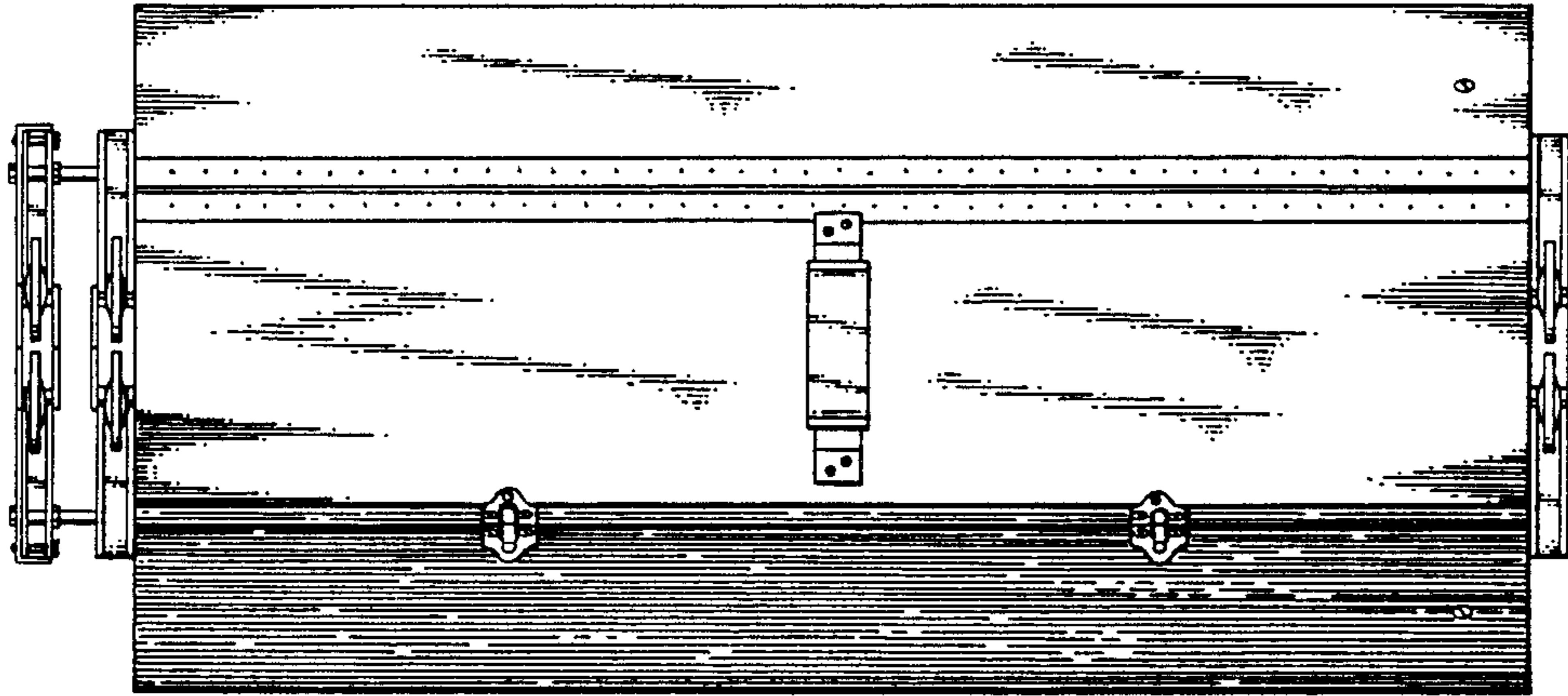


FIG. 5.

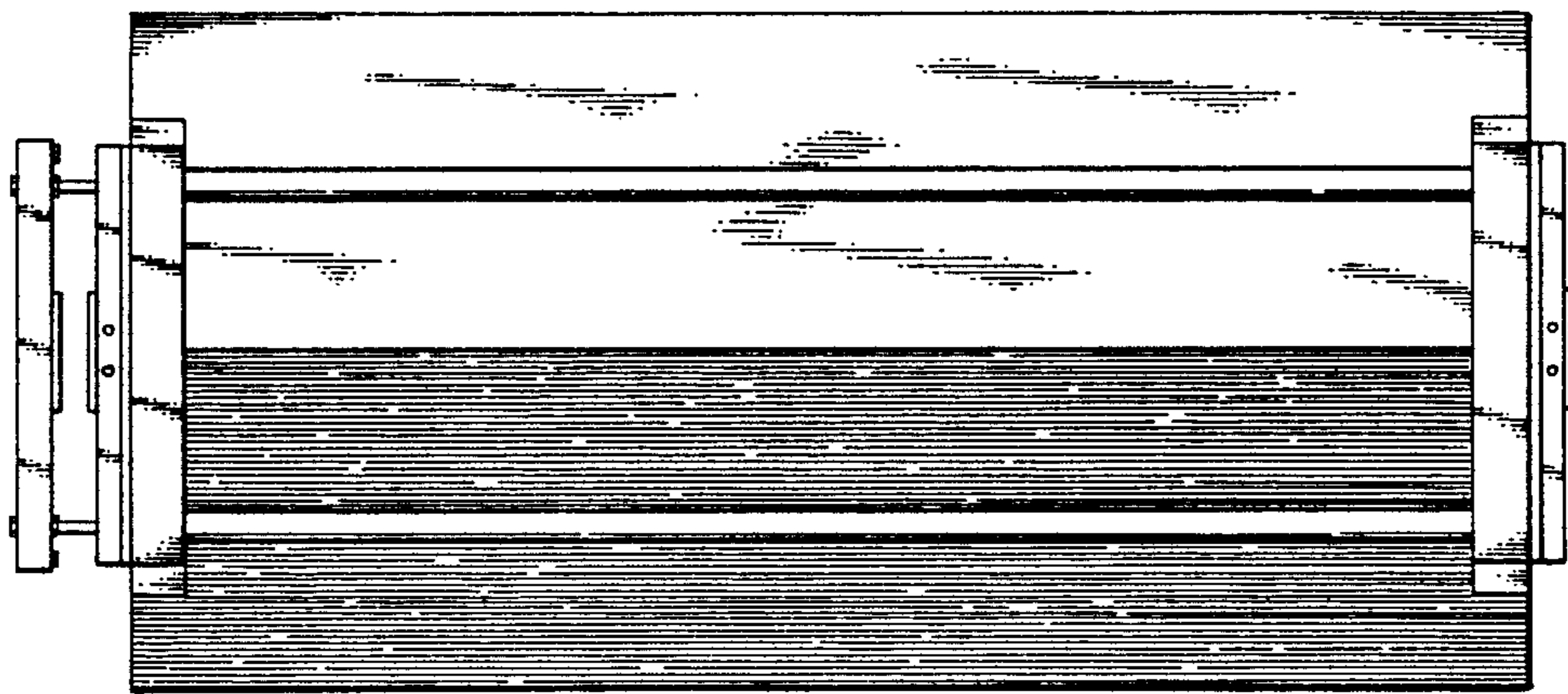


FIG. 6.

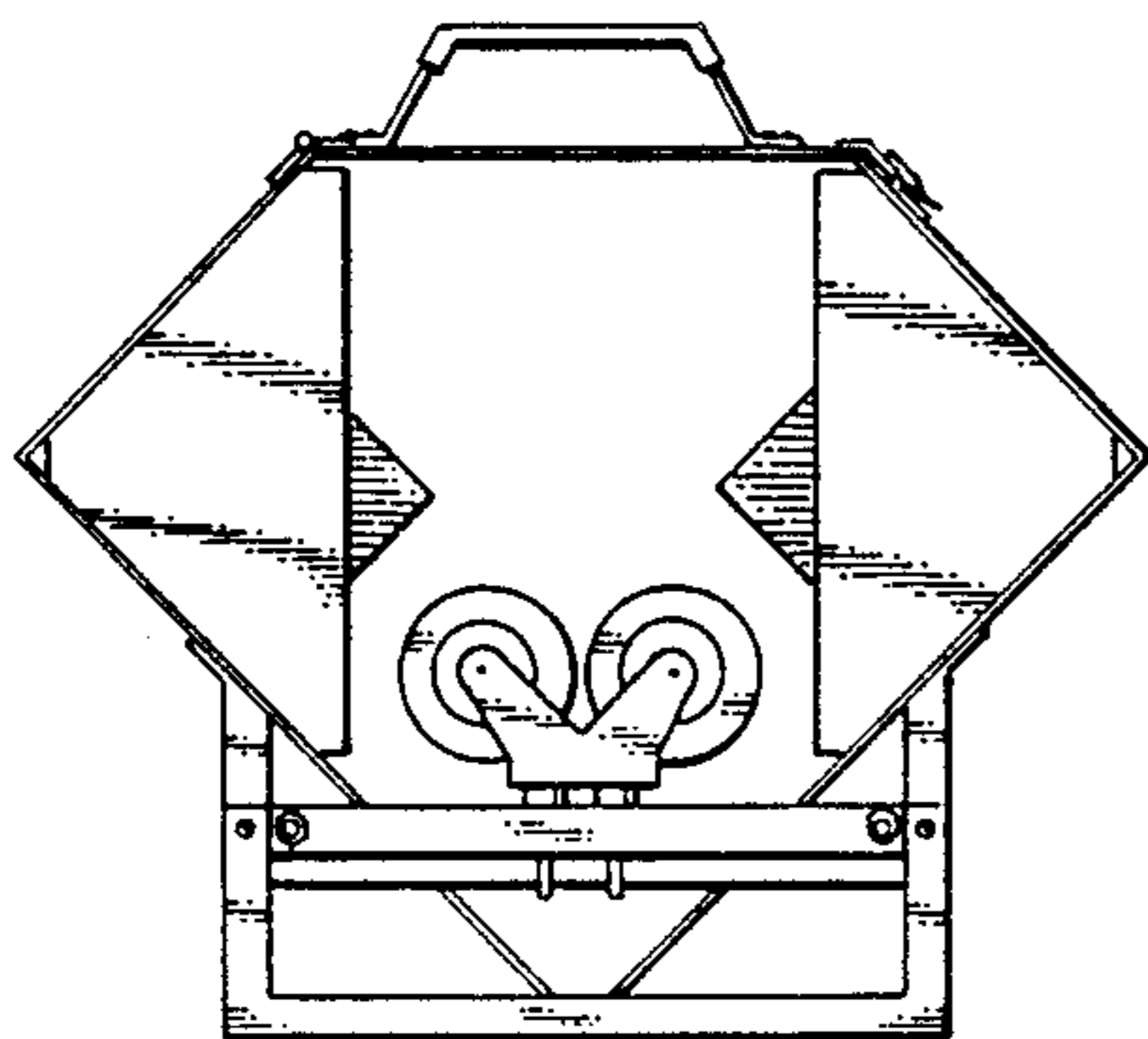


FIG. 7.

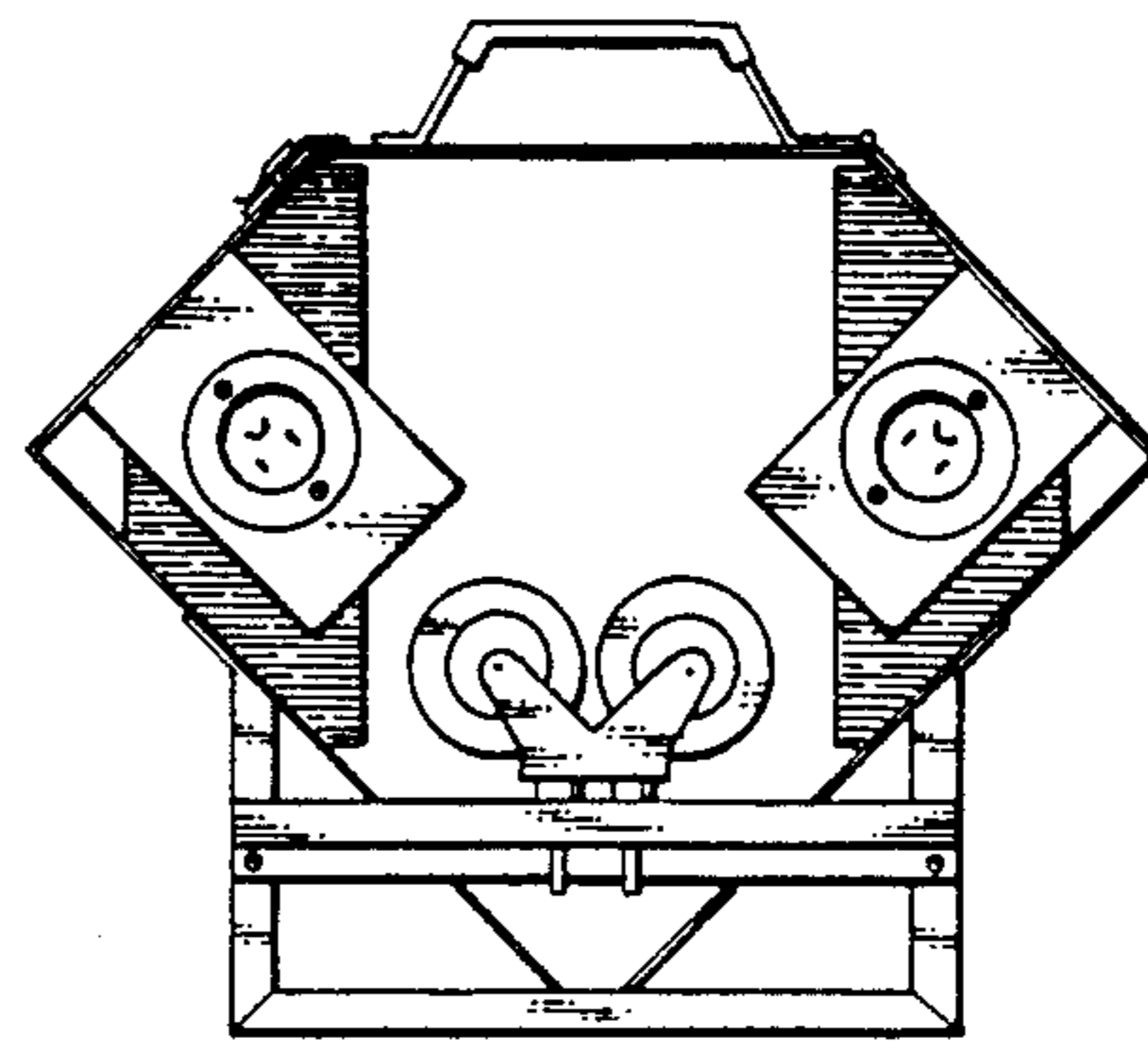


FIG. 8.

