

[54] SPOUT

[75] Inventors: Herbert V. Kohler, Jr., Kohler; Alan D. Bengtson, Sheboygan; Thomas E. Gaffney, Sheboygan; Mary J. Reid, Sheboygan, all of Wis.

[73] Assignee: Kohler Co., Kohler, Wis.

[**] Term: 14 Years

[21] Appl. No.: 130,842

[22] Filed: Dec. 9, 1987

[52] U.S. Cl. D23/255

[58] Field of Search D23/255, 256, 257, 238-243; 137/801; 4/191, 192

[56] References Cited

U.S. PATENT DOCUMENTS

- D. 287,160 12/1986 Rademacher D23/242
- D. 290,159 6/1987 Jans D23/242
- D. 291,241 8/1987 Rademacher D23/257
- D. 299,851 2/1989 Rademacher D23/241
- D. 301,517 6/1989 Anawalt D23/255
- 1,417,583 5/1922 Stratton .

OTHER PUBLICATIONS

Sherle Wagner catalog, pp. 95 and 97, dated 1984. Sovereign TM series brochure dated 1987, and Emperor TM series brochure dated 1987, both of Kallista, Inc., both admitted prior art.

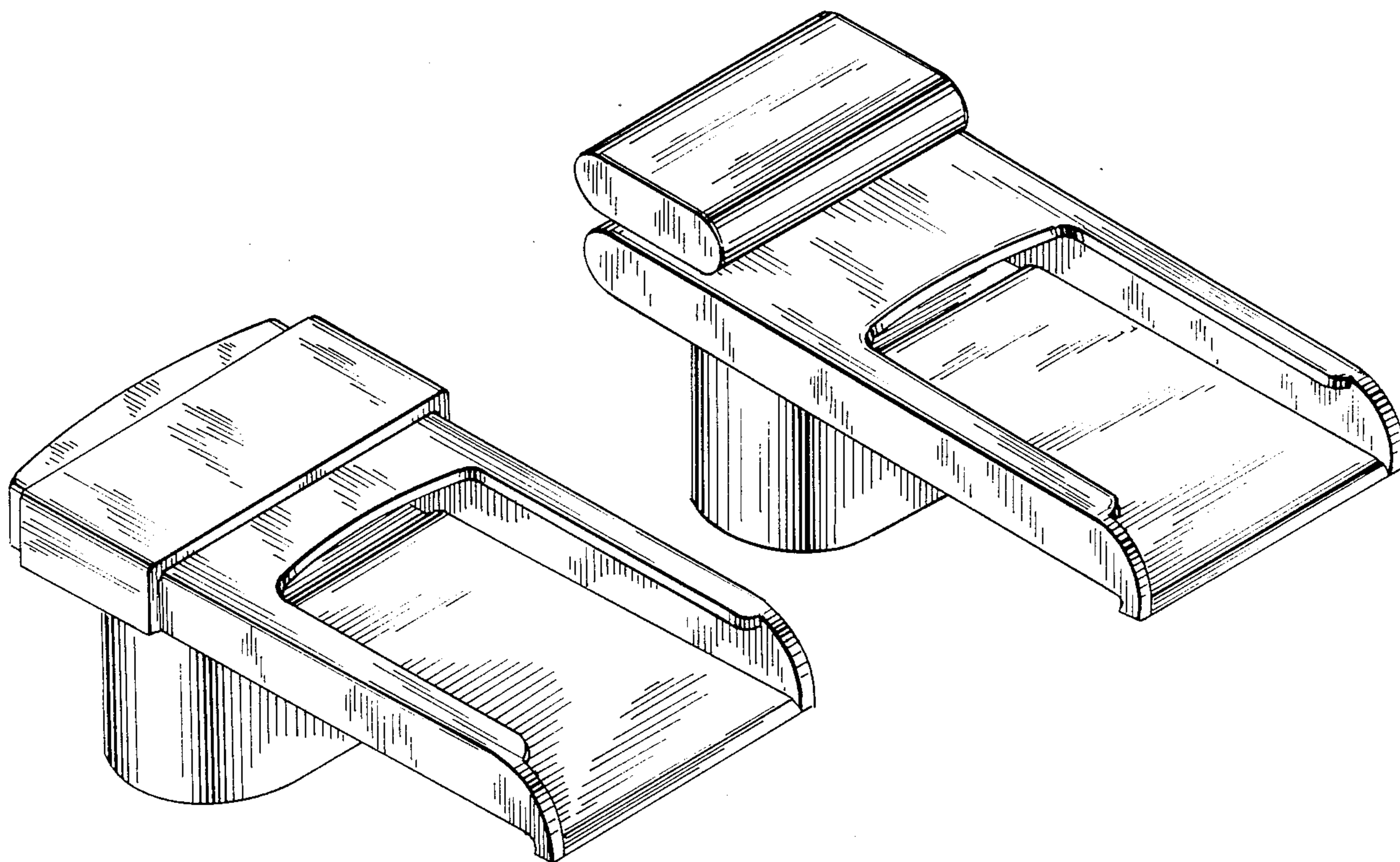
Primary Examiner—A. Hugo Word
Assistant Examiner—Stella M. Reid
Attorney, Agent, or Firm—Quarles & Brady

[57] CLAIM

The ornamental design for a spout, as shown and described.

DESCRIPTION

FIG. 1 is a front top perspective view of a spout showing our new design;
 FIG. 2 is a top plan view thereof;
 FIG. 3 is a bottom plan view thereof;
 FIG. 4 is a front elevational view thereof;
 FIG. 5 is a rear elevational view thereof;
 FIG. 6 is a right side elevational view thereof, the left side being a mirror image of the right side;
 FIG. 7 is a top plan view of a second embodiment of a spout showing our new design;
 FIG. 8 is a bottom plan view thereof;
 FIG. 9 is a front elevational view thereof;
 FIG. 10 is a rear elevational view thereof;
 FIG. 11 is a right side elevational view thereof, the left side being a mirror image of the right side;
 FIG. 12 is a front top perspective view of a third embodiment of a spout showing our new design;
 FIG. 13 is a top plan view thereof;
 FIG. 14 is a bottom plan view thereof;
 FIG. 15 is a front elevational view thereof;
 FIG. 16 is a rear elevational view thereof;
 FIG. 17 is a right side elevational view thereof, the left side being a mirror image of the right side;
 FIG. 18 is a top plan view of a fourth embodiment of a spout showing our new design;
 FIG. 19 is a bottom plan view thereof;
 FIG. 20 is a front elevational view thereof;
 FIG. 21 is a rear elevational view thereof;
 FIG. 22 is a right side elevational view thereof, the left side being a mirror image of the right side;
 The broken line showing of the fitting attachment structures in FIGS. 3, 8, 14 and 19 is for illustrative purposes only and forms no part of the claimed design.



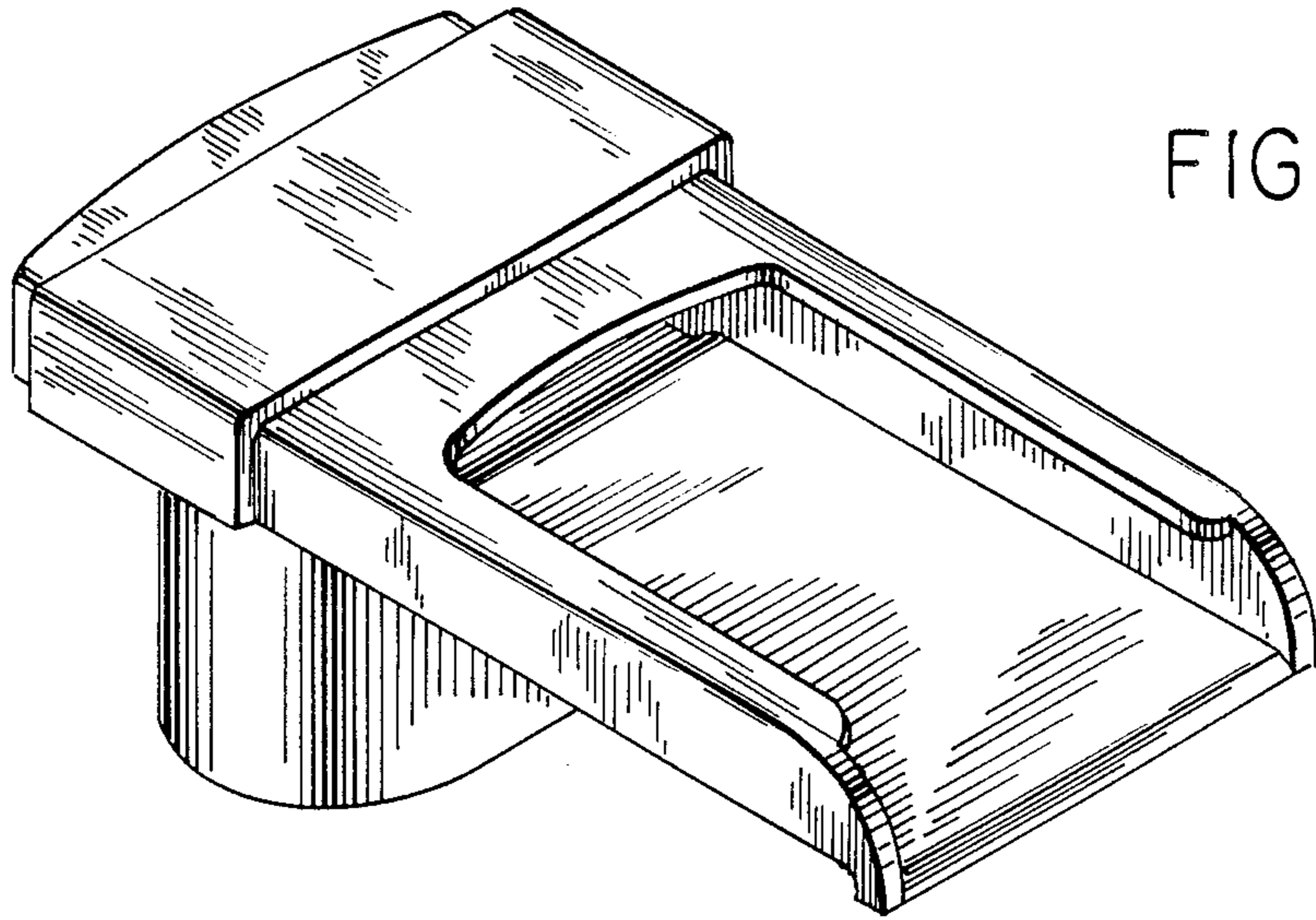


FIG. 1

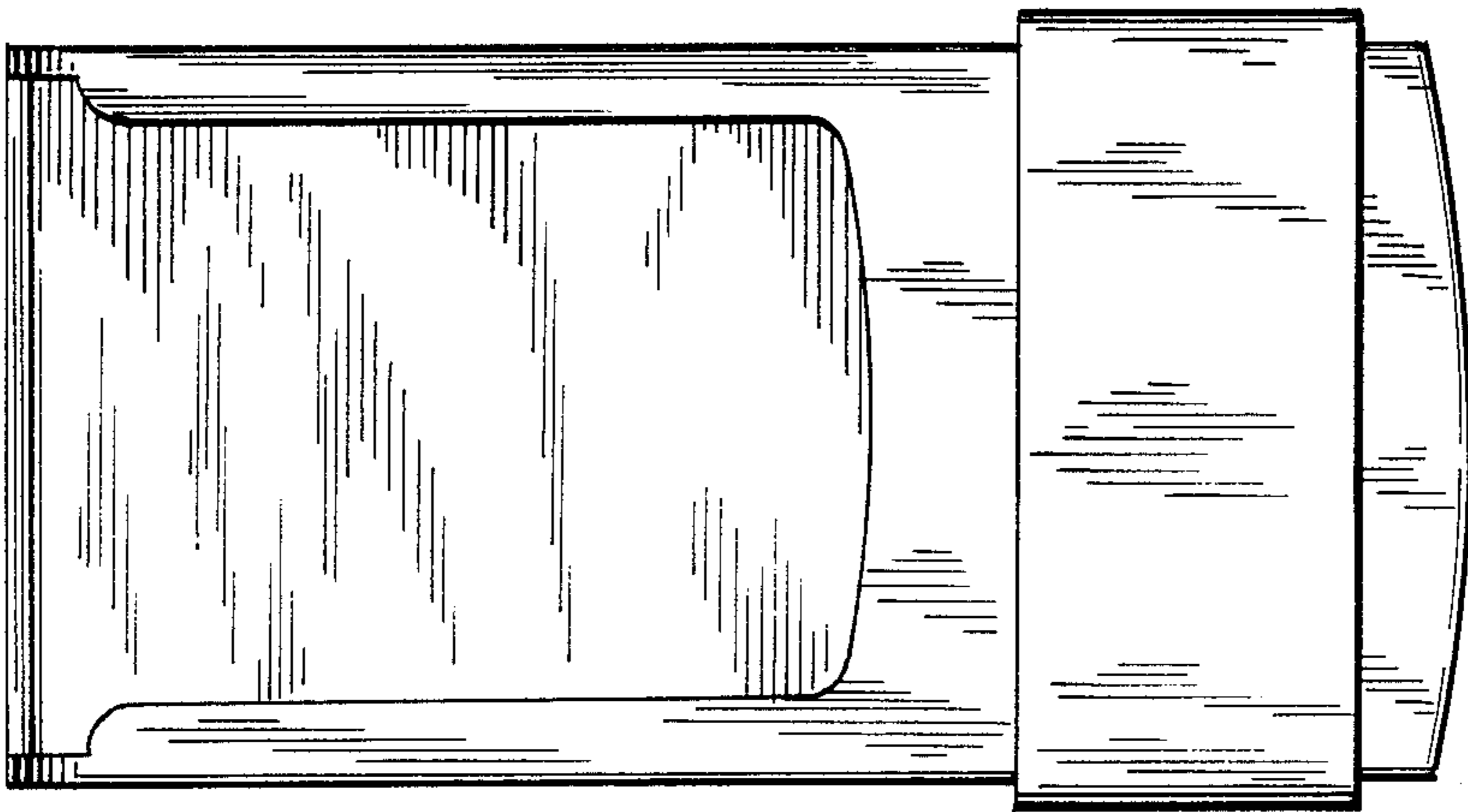


FIG. 2

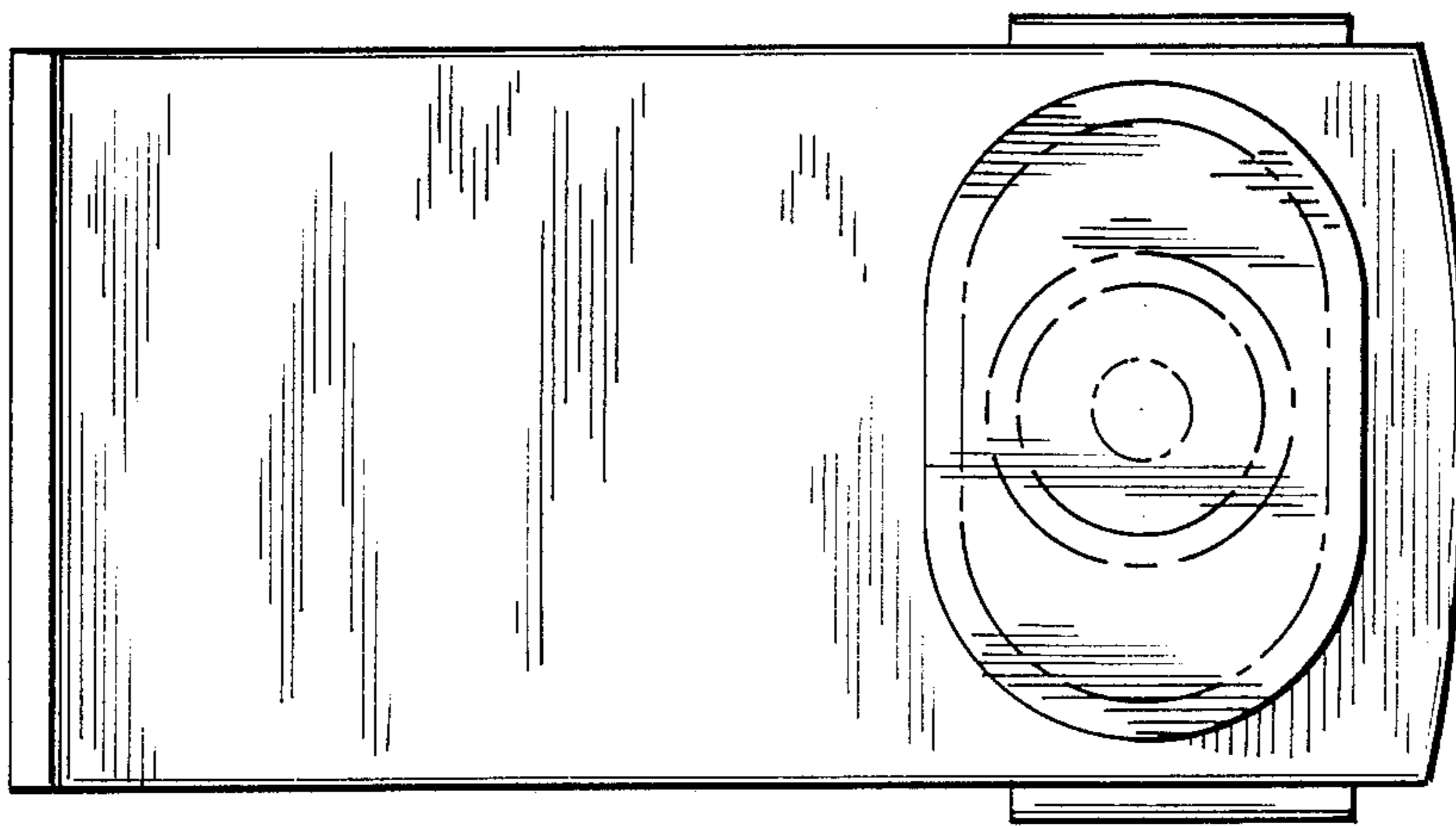


FIG. 3

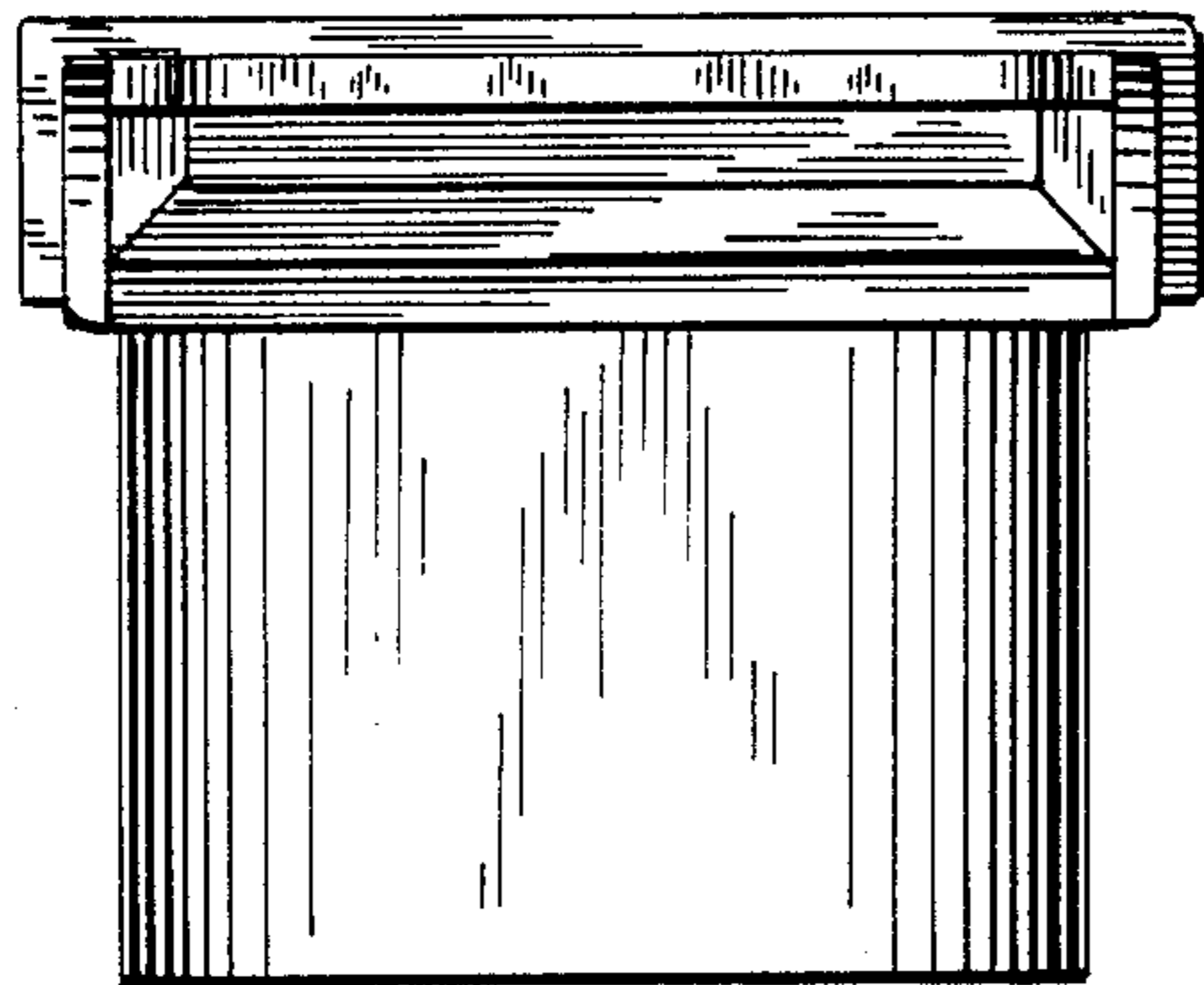


FIG. 4

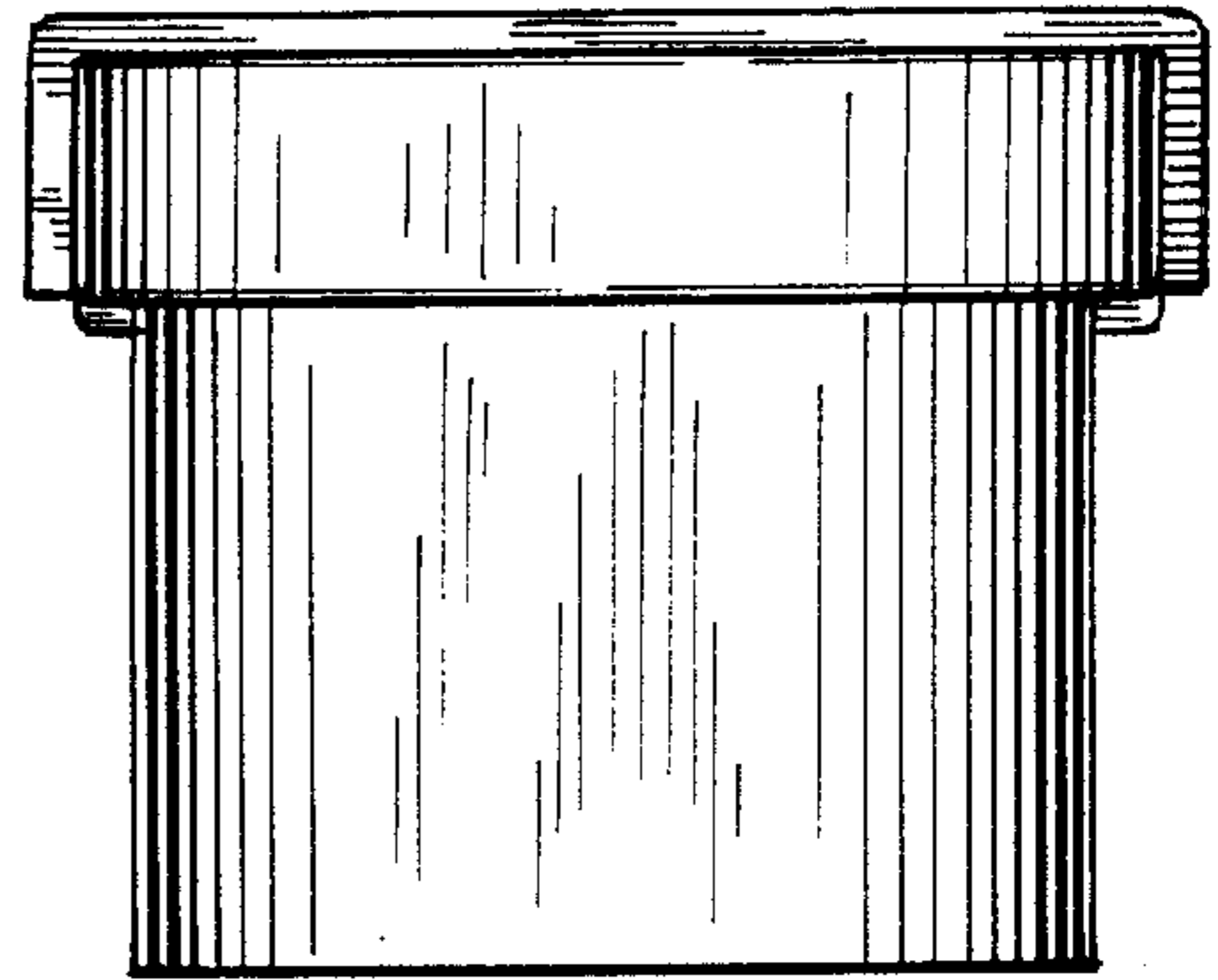


FIG. 5

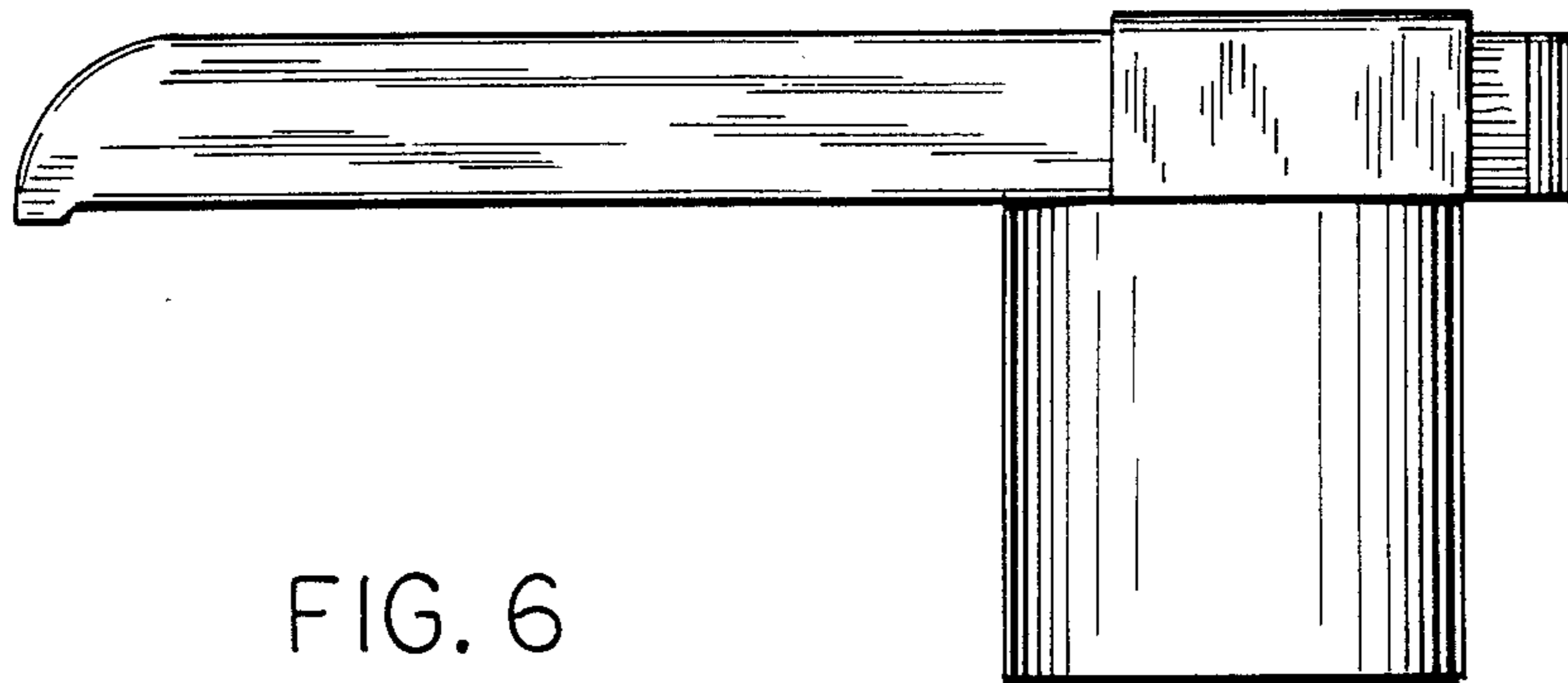


FIG. 6

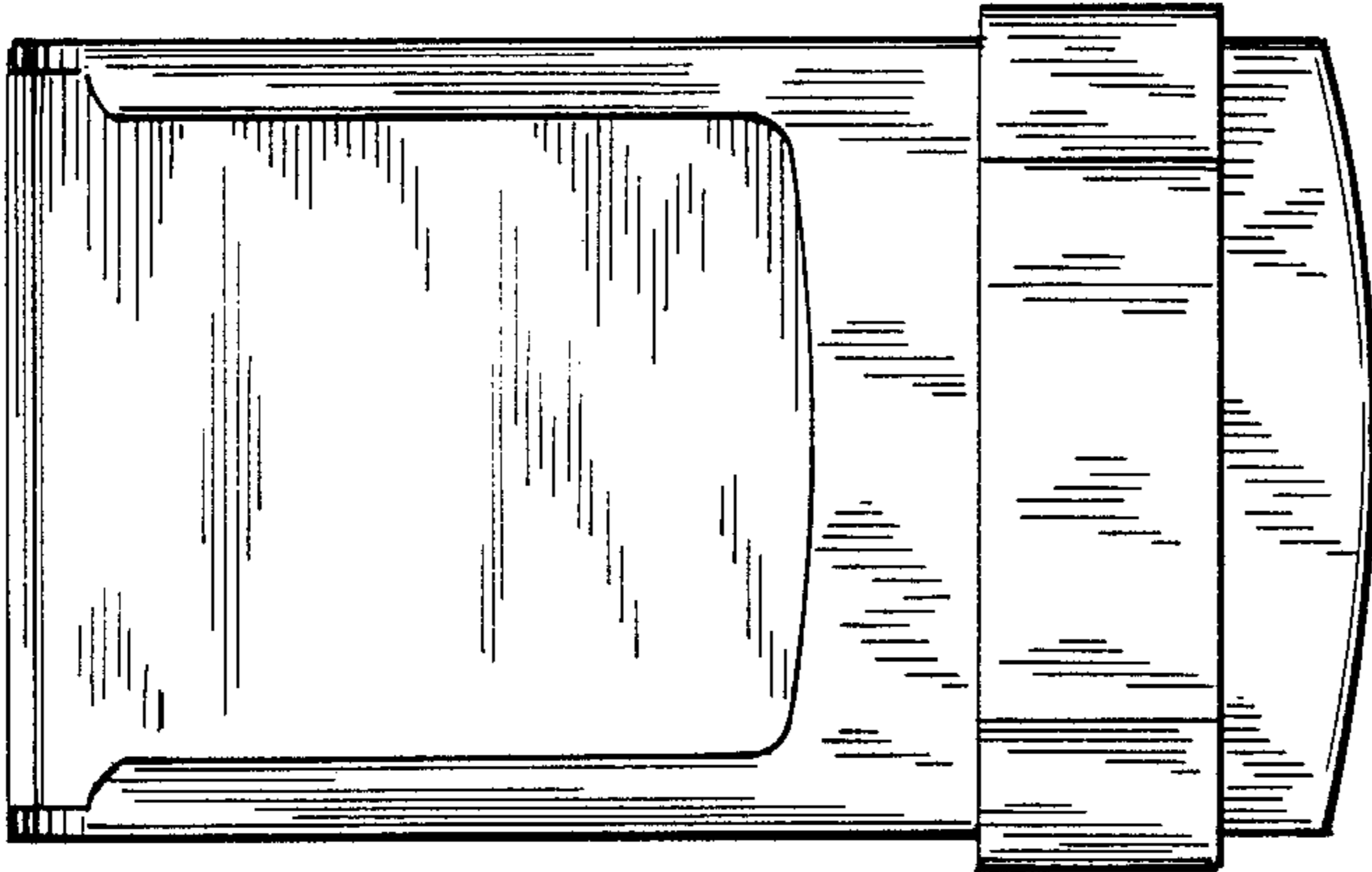


FIG. 7

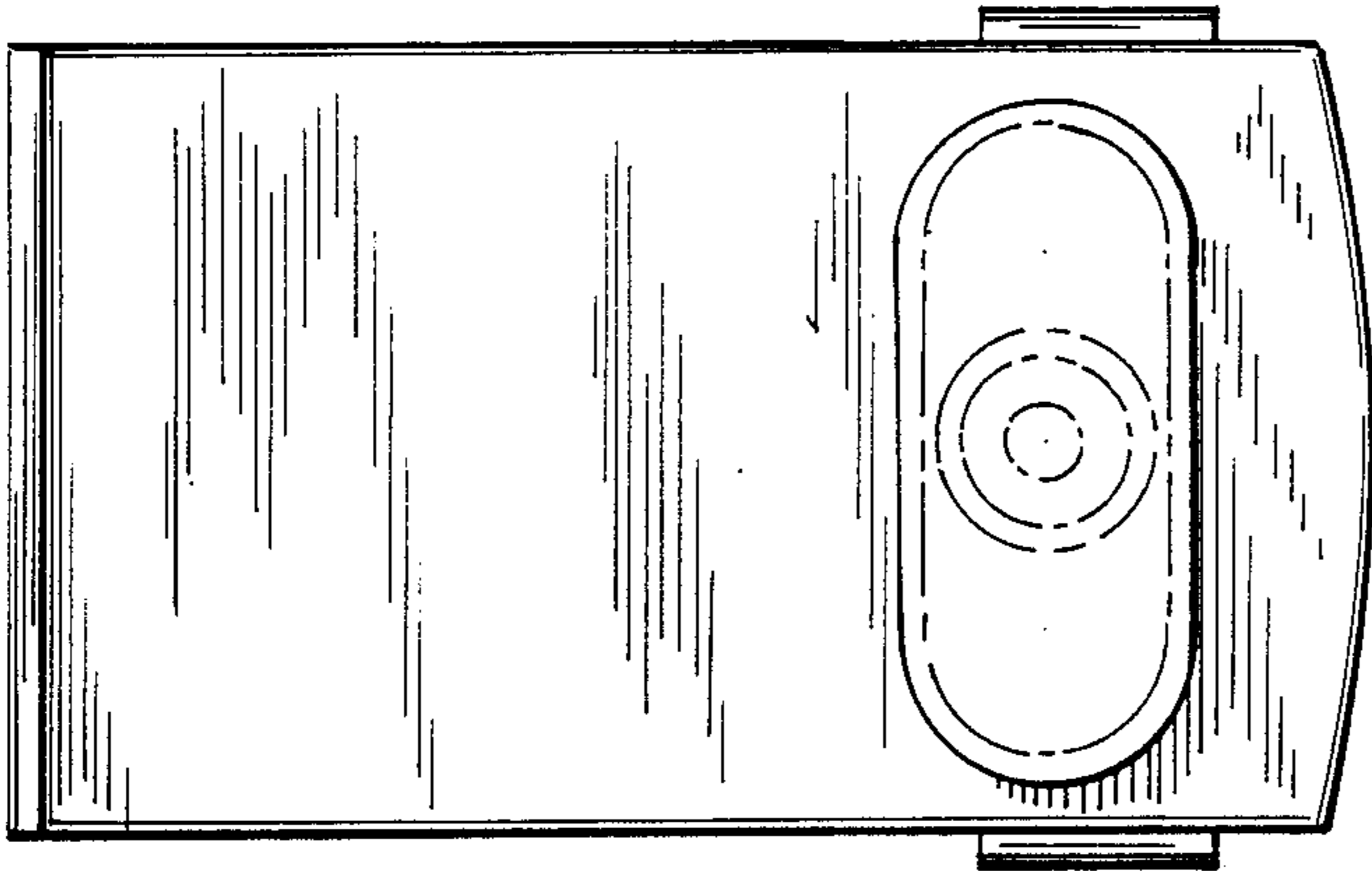


FIG. 8

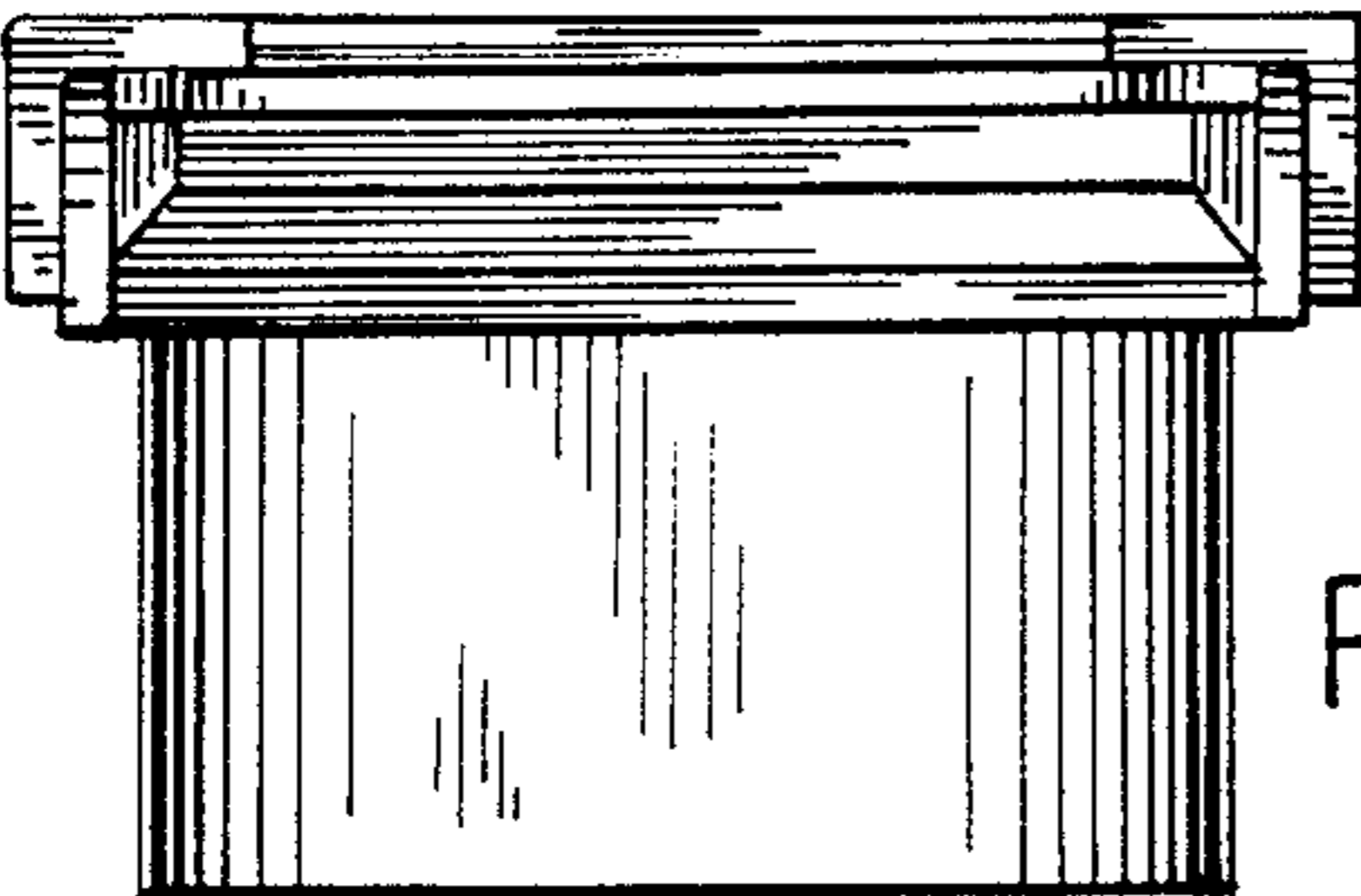


FIG. 9

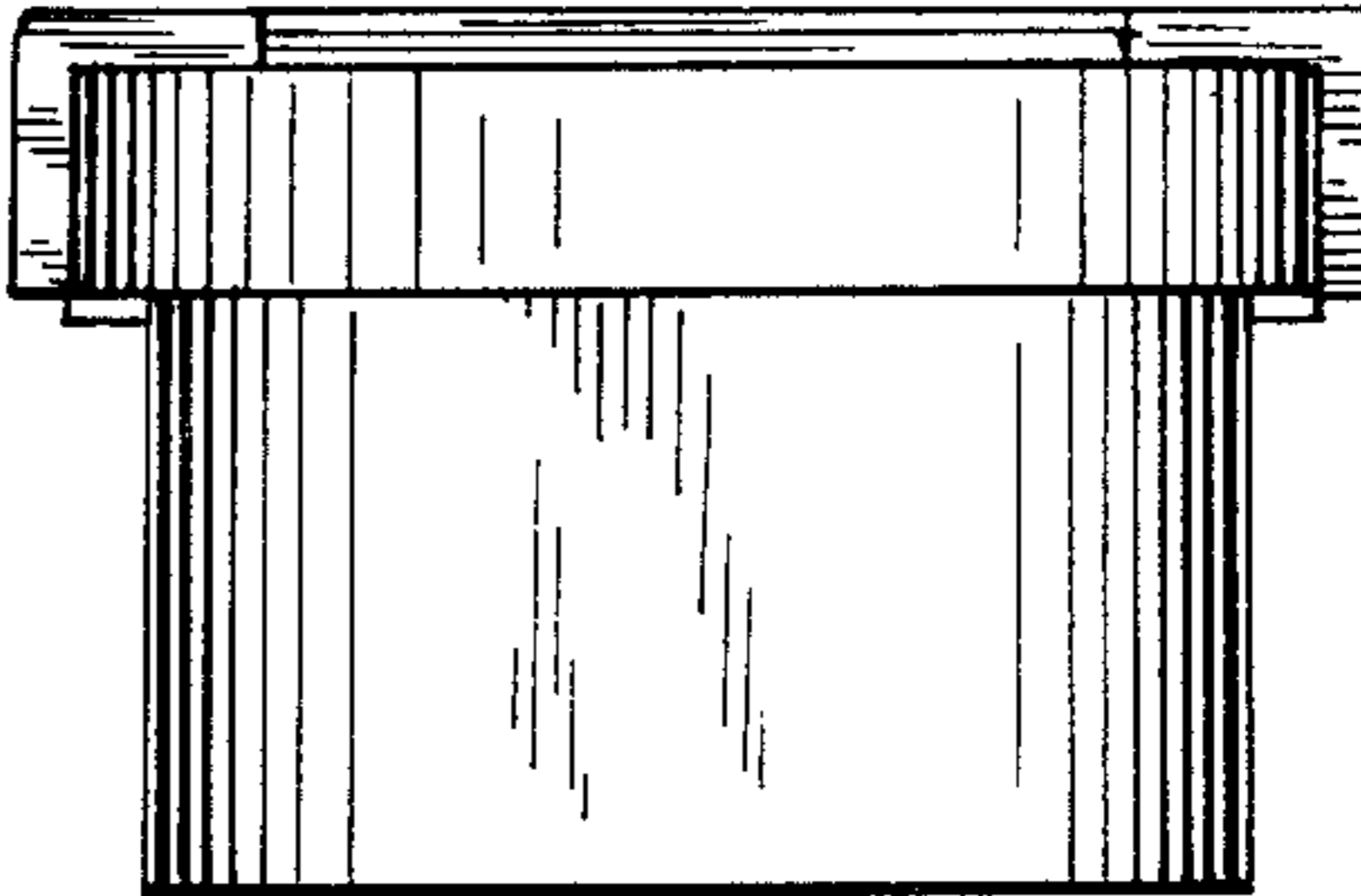


FIG. 10

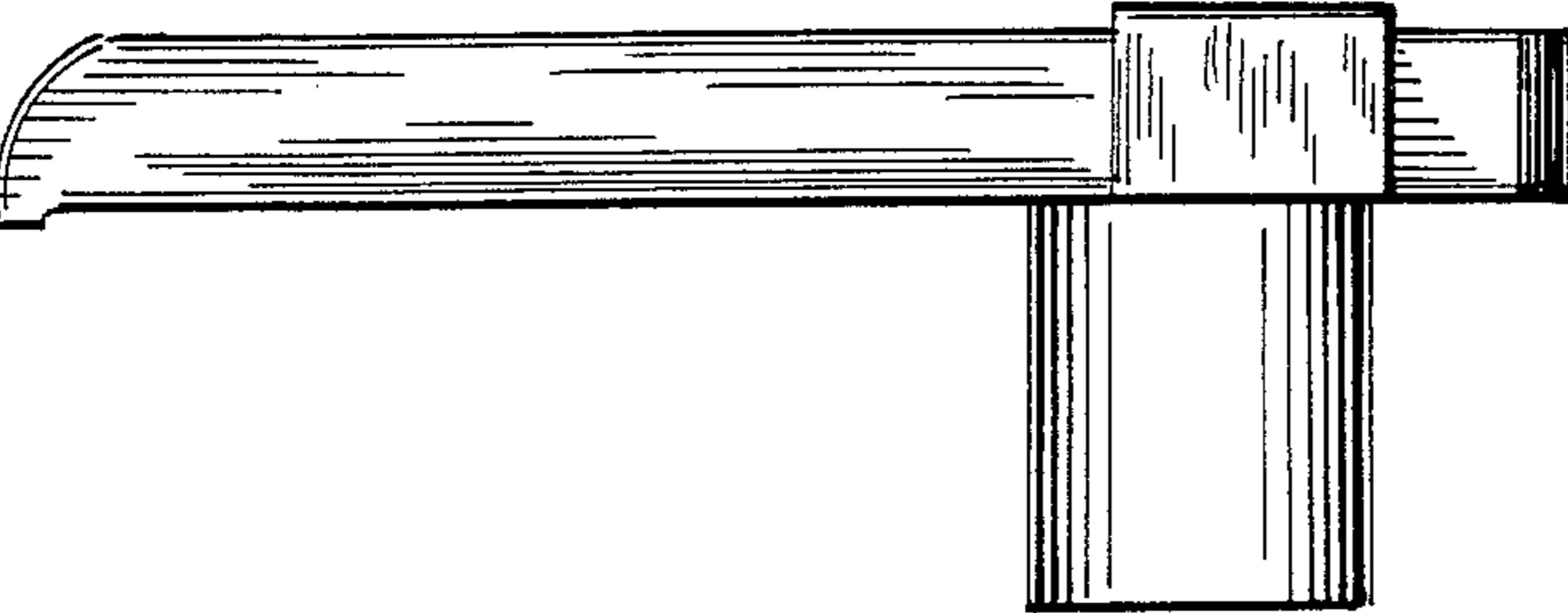


FIG. 11

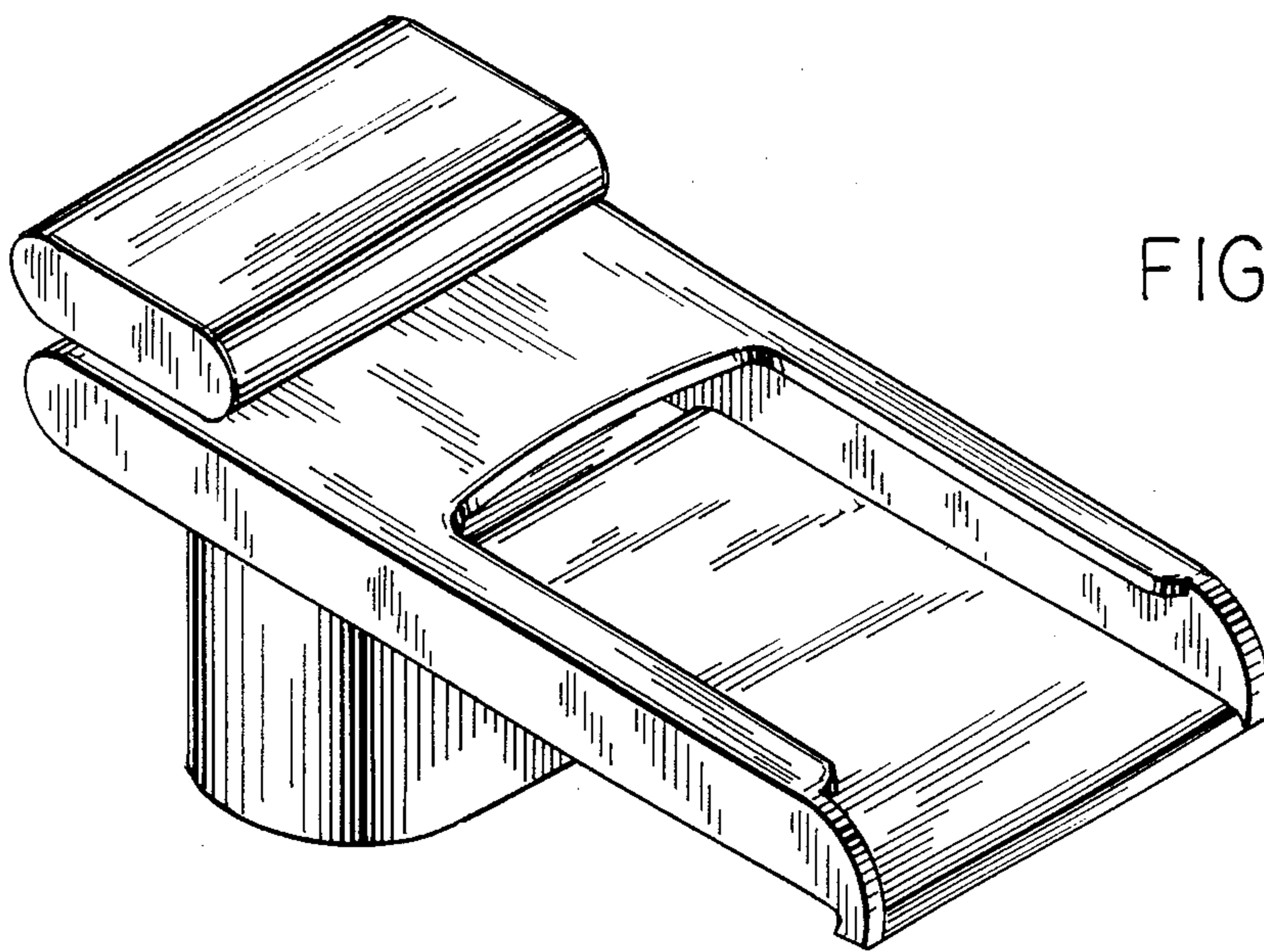


FIG. 12

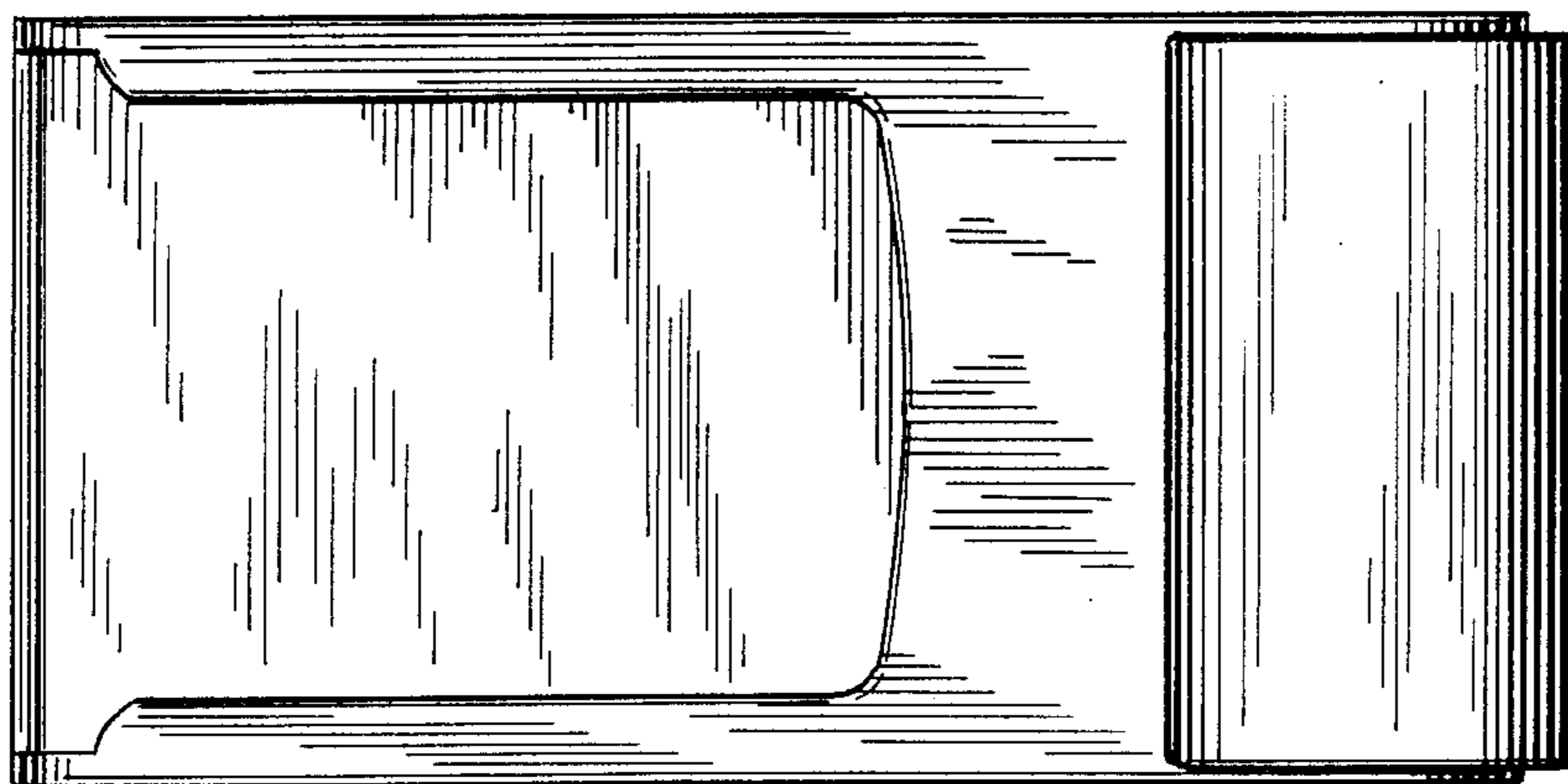


FIG. 13

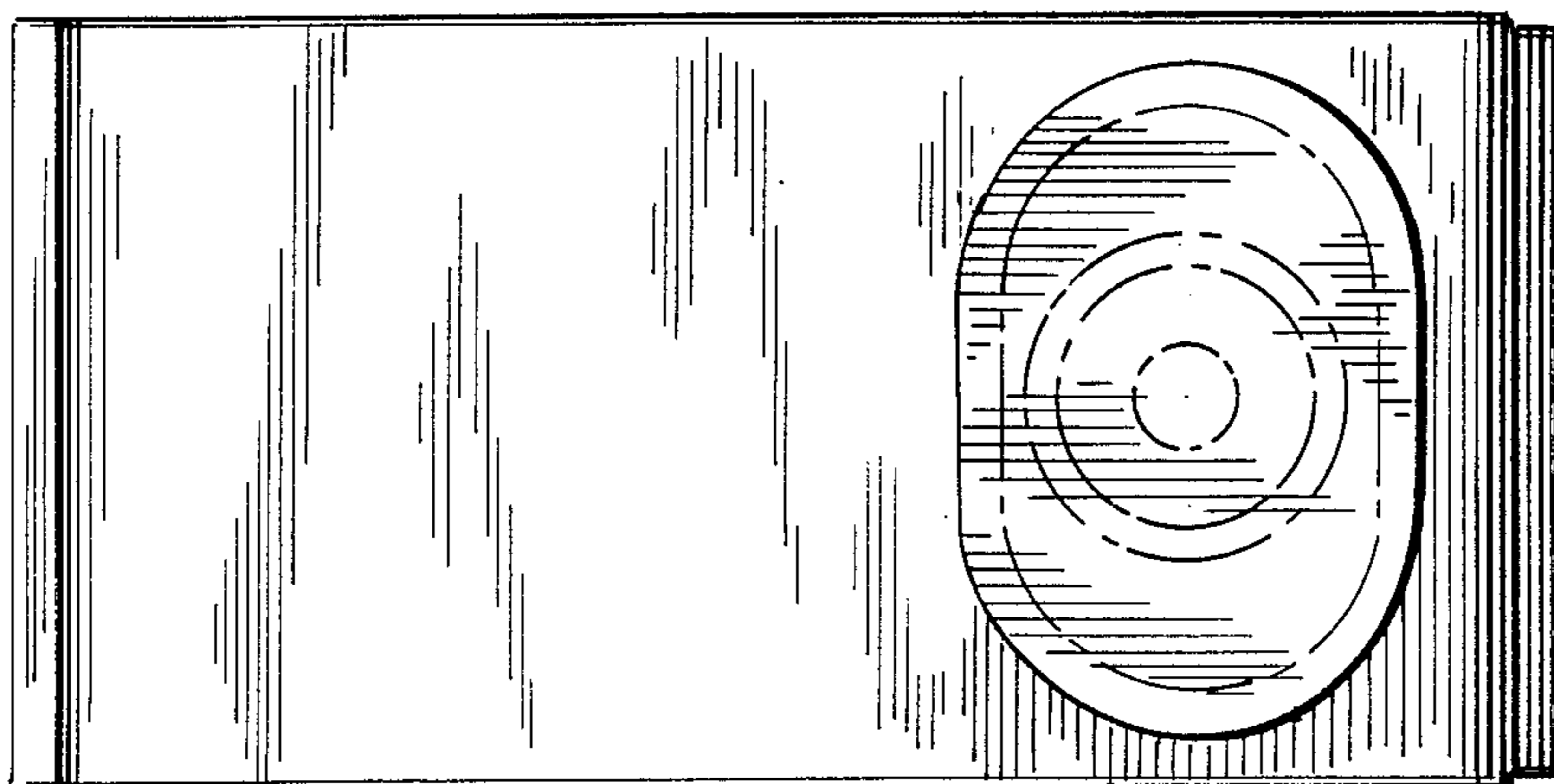


FIG. 14

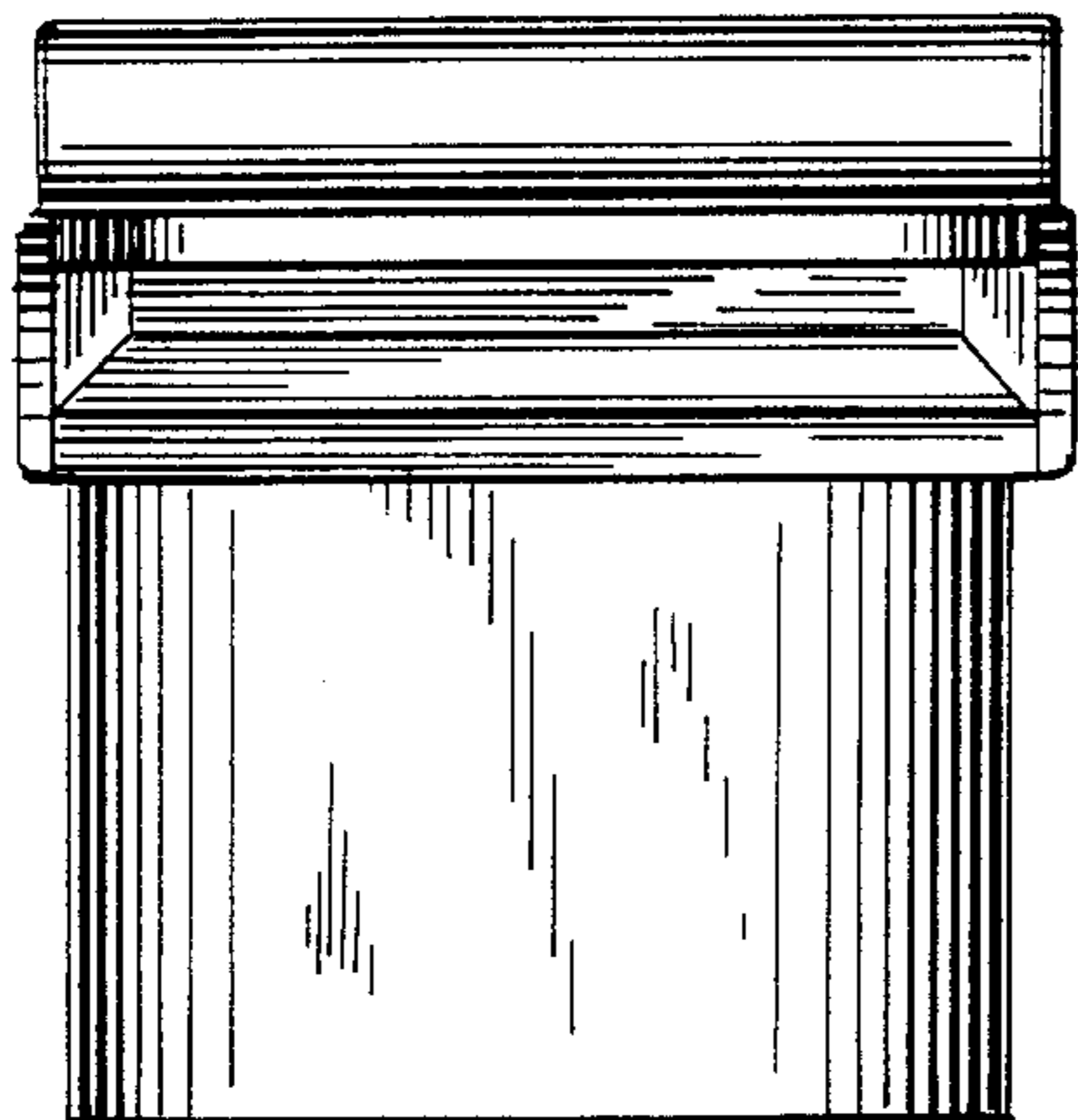


FIG. 15

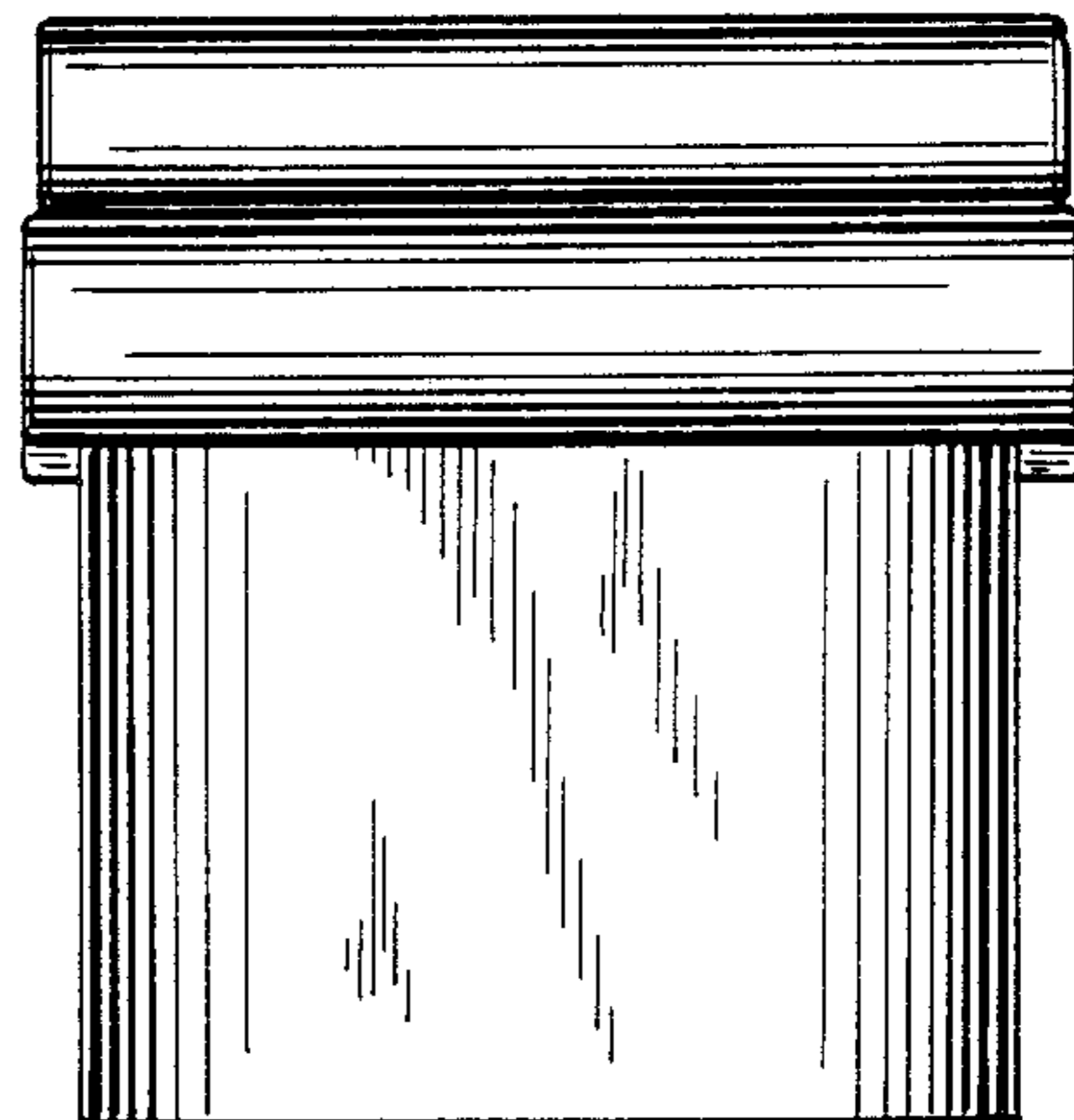


FIG. 16

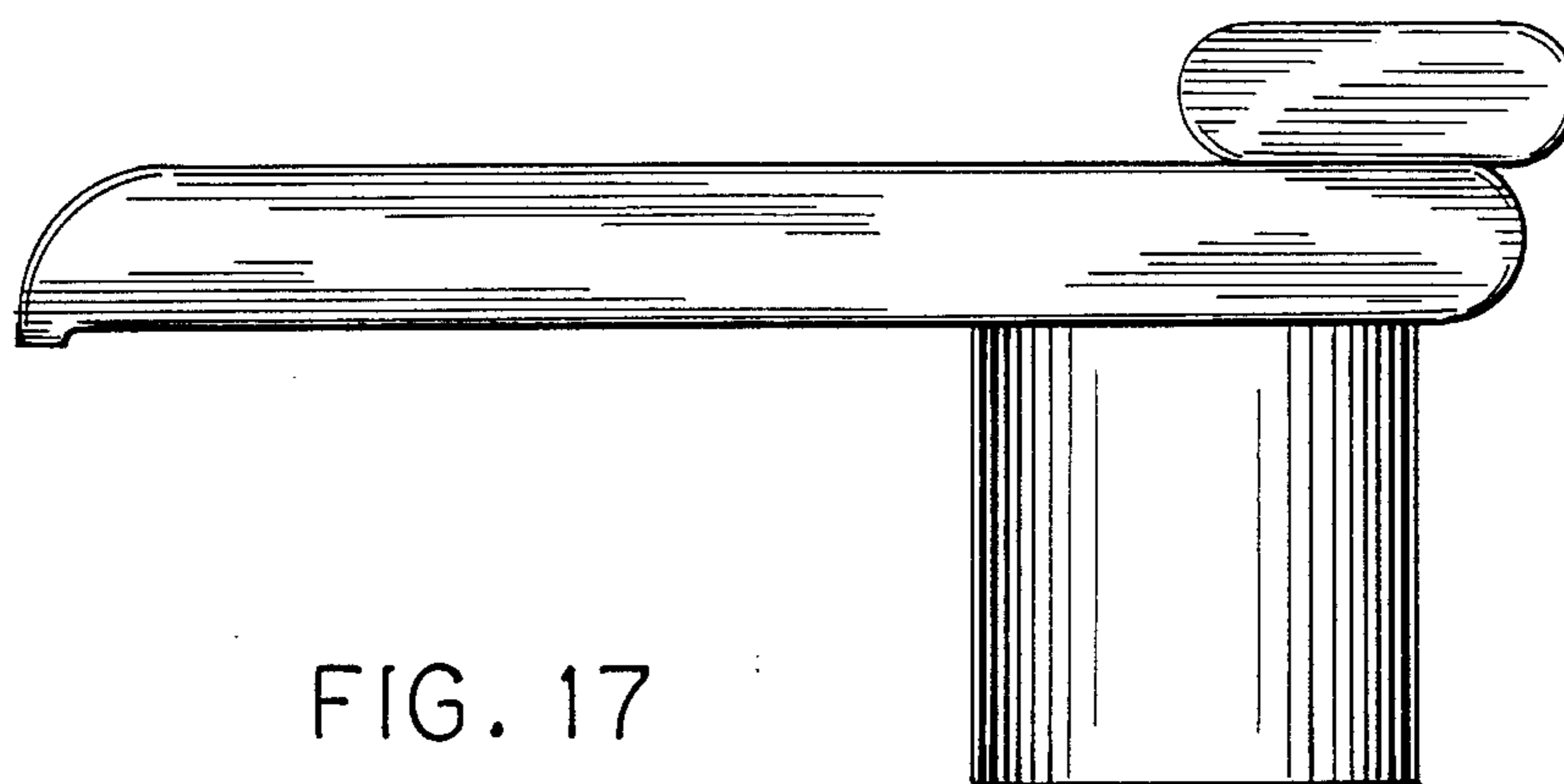


FIG. 17

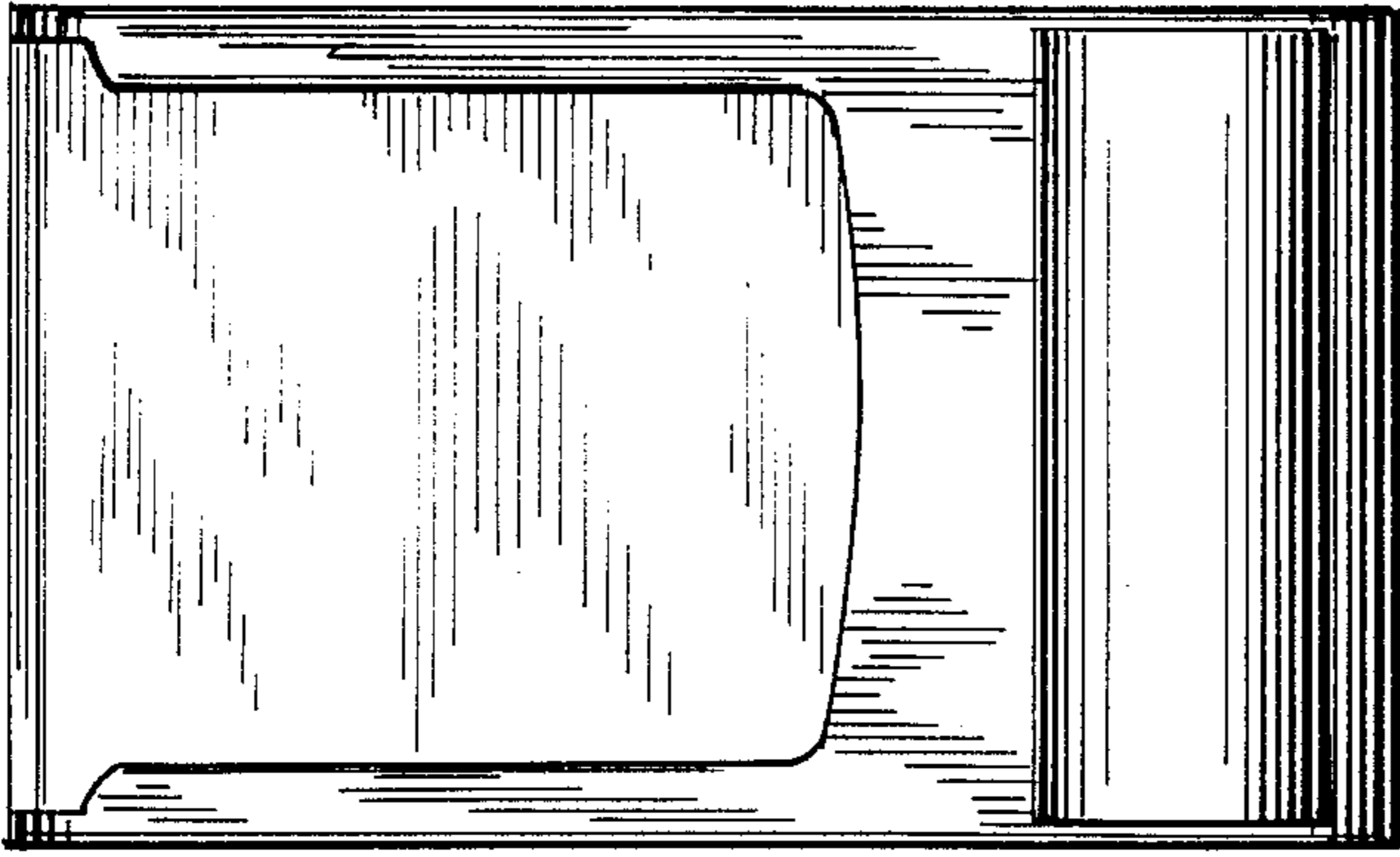


FIG. 18

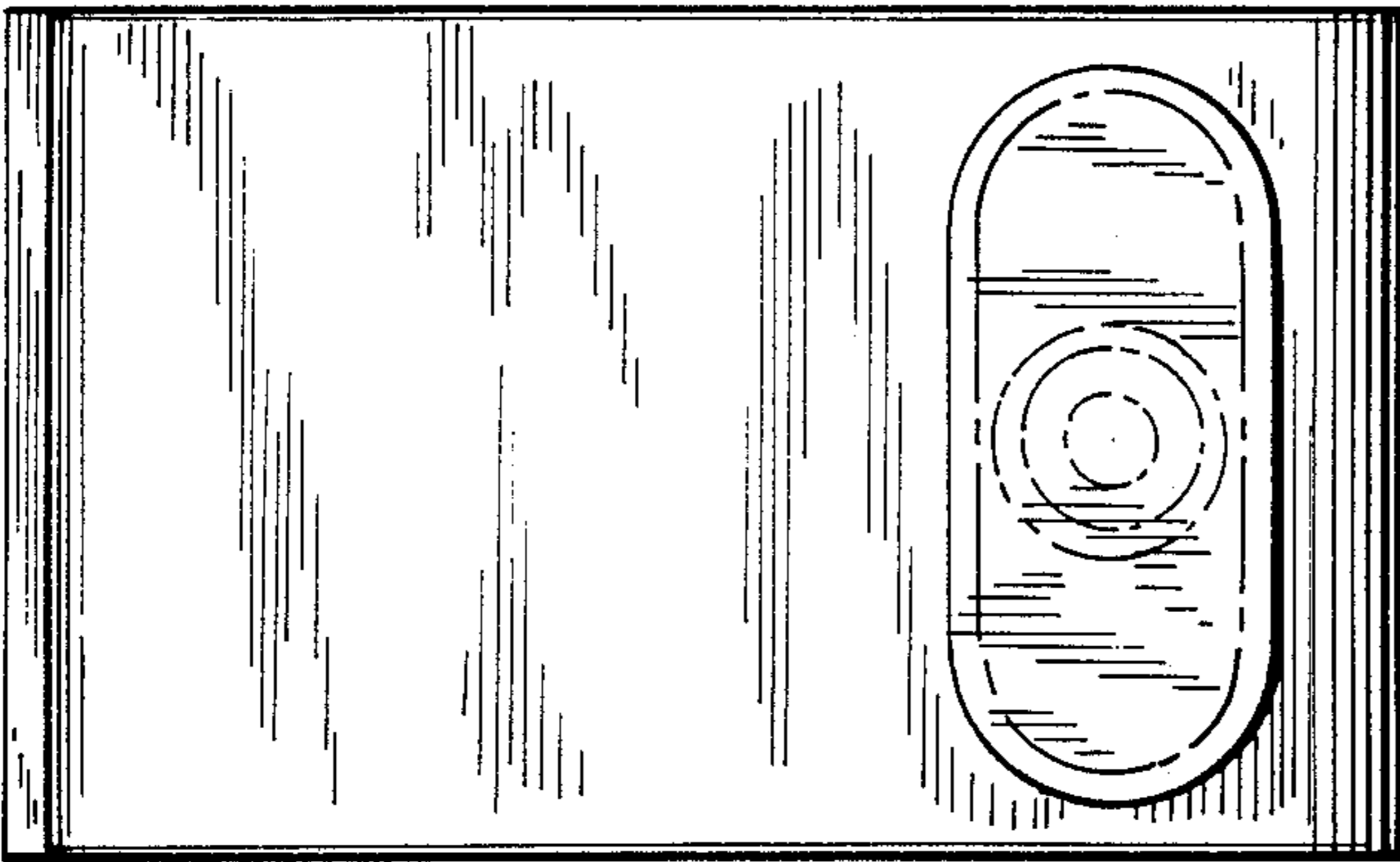


FIG. 19

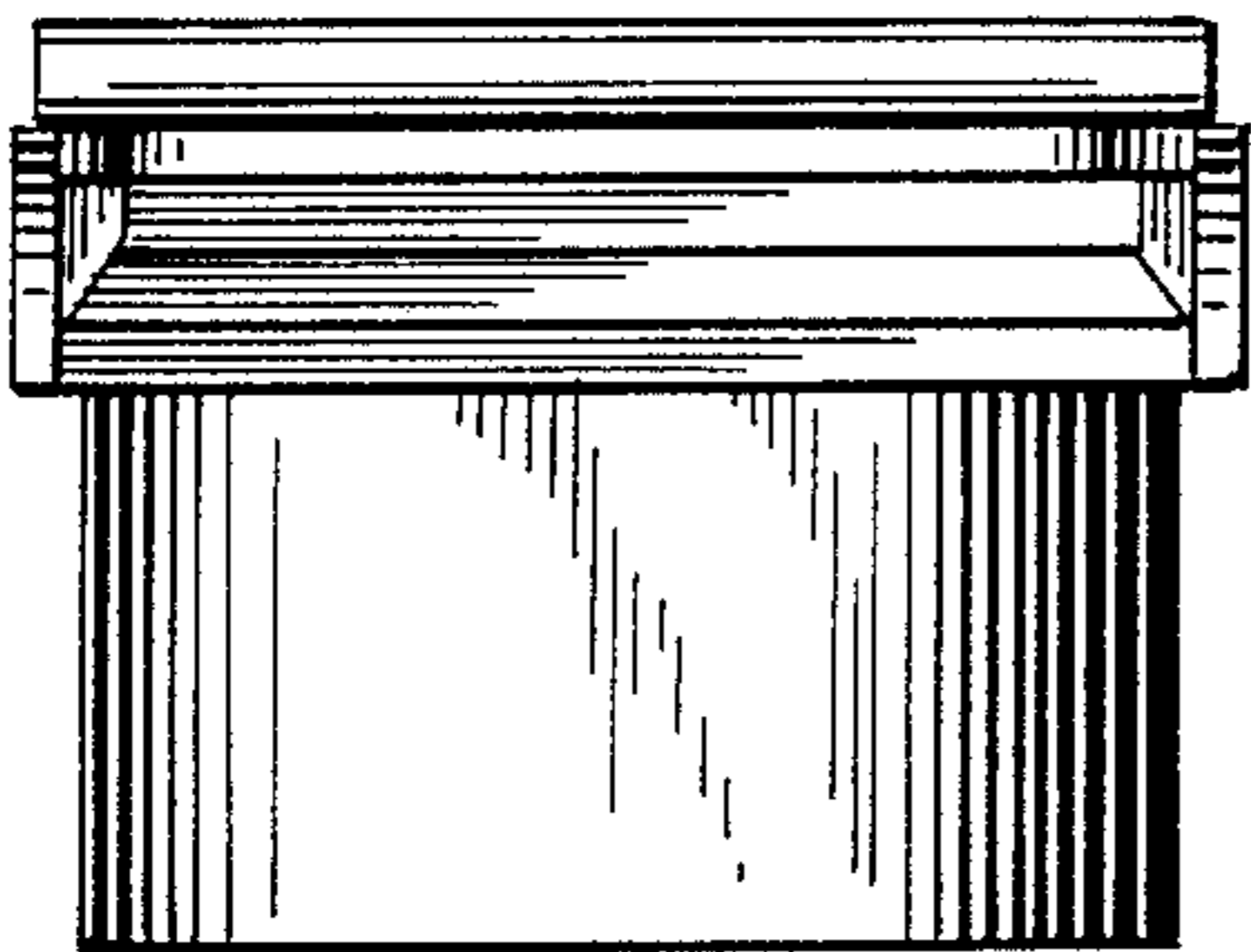


FIG. 20

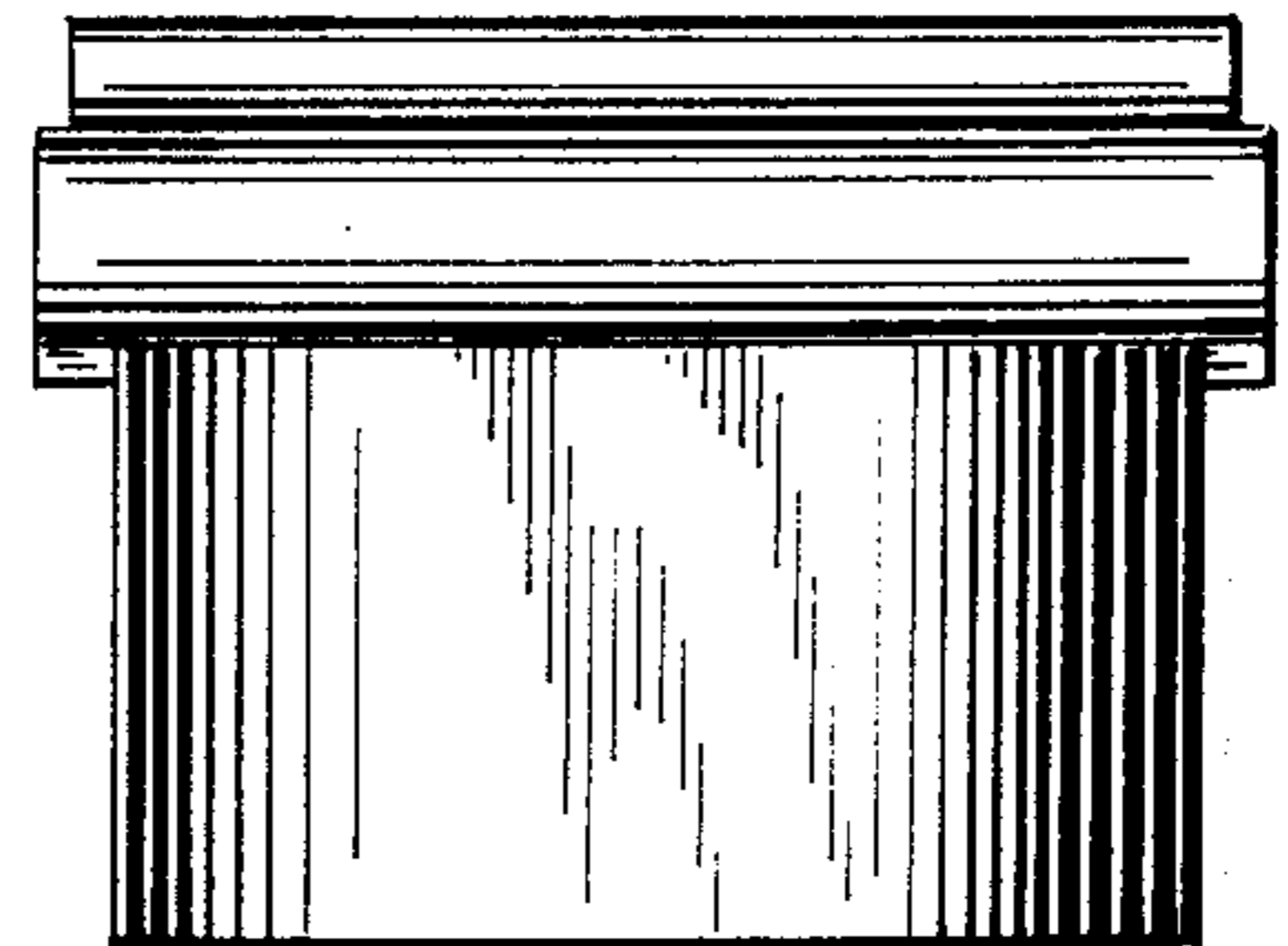


FIG. 21

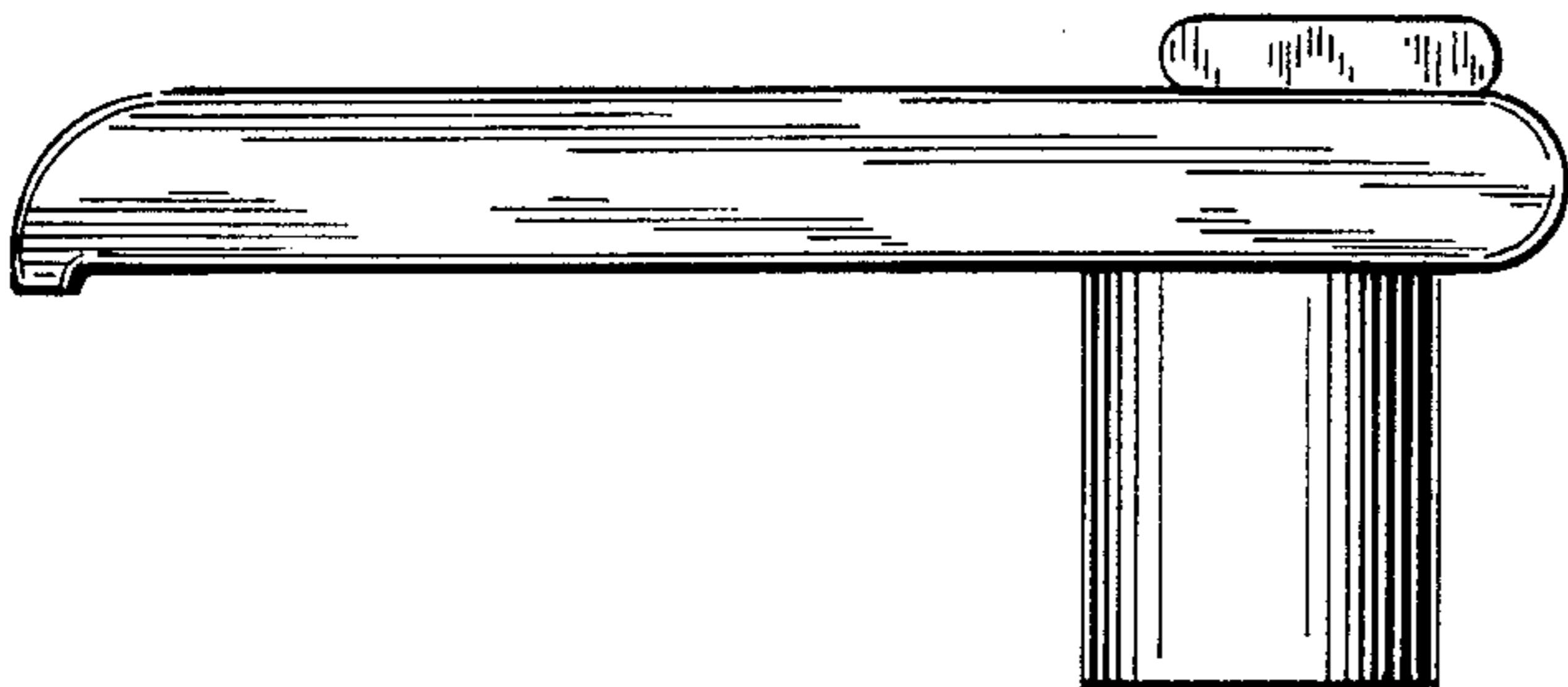


FIG. 22