

- [54] COUNTERTOP HOME WATER PURIFIER
- [75] Inventors: **Thomas Carrano**, Fairfield; **Raymond Petrucci**, Middlebury, both of Conn.
- [73] Assignee: **Cuno, Incorporated**, Meriden, Conn.
- [**] Term: **14 Years**
- [21] Appl. No.: **283,943**
- [22] Filed: **Dec. 13, 1988**
- [52] U.S. Cl. **D23/207**
- [58] Field of Search 210/86-87, 210/90-93, 104, 135-136, 198.1, 205-206, 231, 241, 244-245, 257.1-257.2, 258, 260-261, 269, 275, 282, 287-290, 295, 321.6, 321.64, 321.78, 416.3, 443-449; D23/207-210; D7/309-310, 372-374

[56] **References Cited**
U.S. PATENT DOCUMENTS

- D. 249,275 9/1978 Mackay et al. D23/209
- D. 254,892 5/1980 Smit D7/309

- D. 278,650 4/1985 Slovak et al. D23/209
- 528,652 11/1894 Bowden 210/443 X
- 2,988,221 6/1961 Culp 210/104
- 4,321,754 1/1982 LaFontaine 210/282 X
- 4,695,375 9/1987 Tyler 210/257.2 X

Primary Examiner—Susan J. Lucas
Assistant Examiner—M. H. Tung
Attorney, Agent, or Firm—Weingram & Zall

[57] **CLAIM**

The ornamental design for countertop home water purifier, as shown and described.

DESCRIPTION

FIG. 1 is a top front perspective view of a countertop home water purifier showing our new design, on an enlarged scale;
 FIG. 2 is a top plan view thereof;
 FIG. 3 is a front elevational view thereof;
 FIG. 4 is a rear elevational view thereof;
 FIG. 5 is a bottom plan view thereof; and
 FIG. 6 is a right side elevational view thereof, the left side being a mirror image.

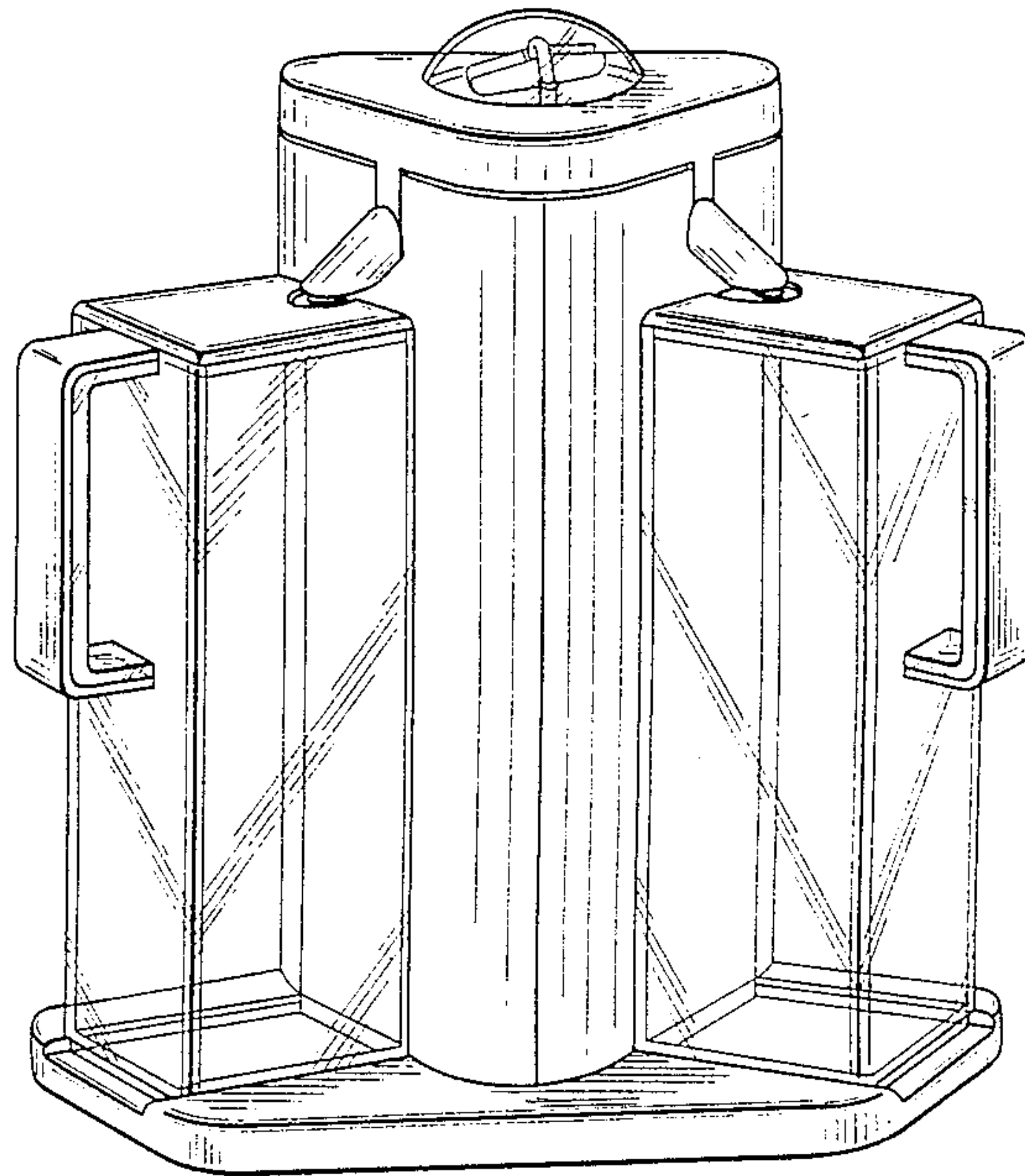


FIG-1

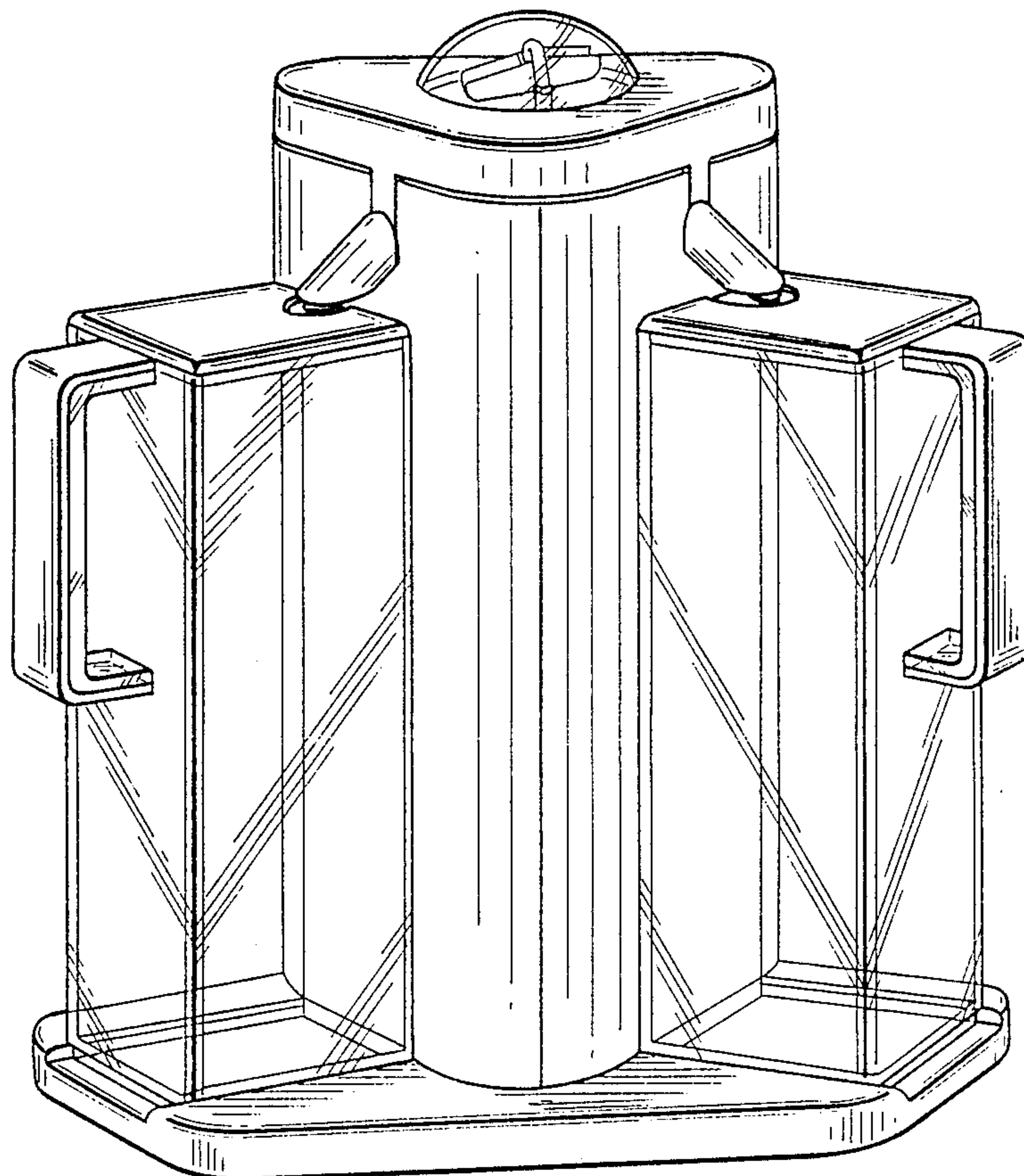


FIG-2

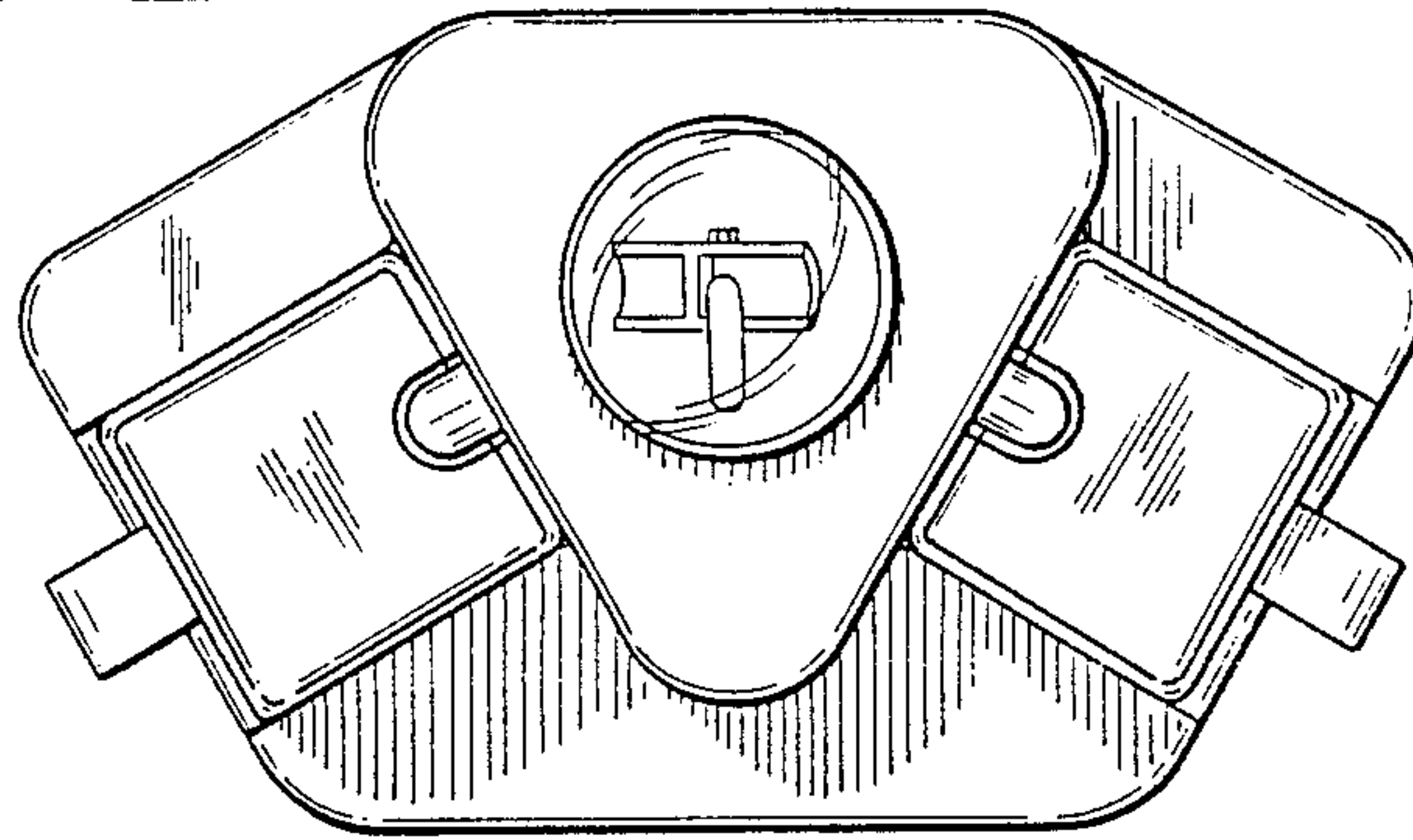


FIG-3

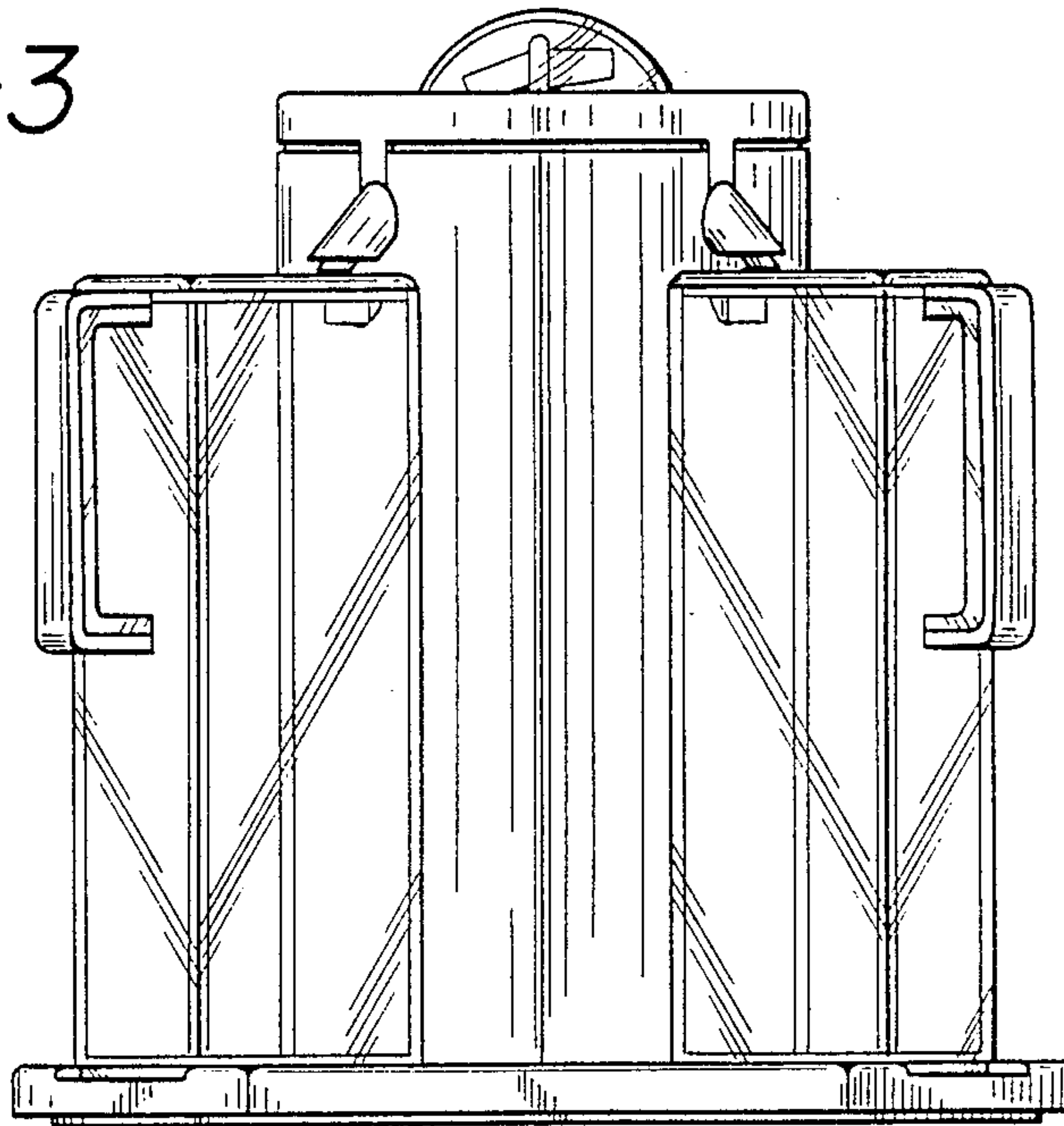


FIG-4

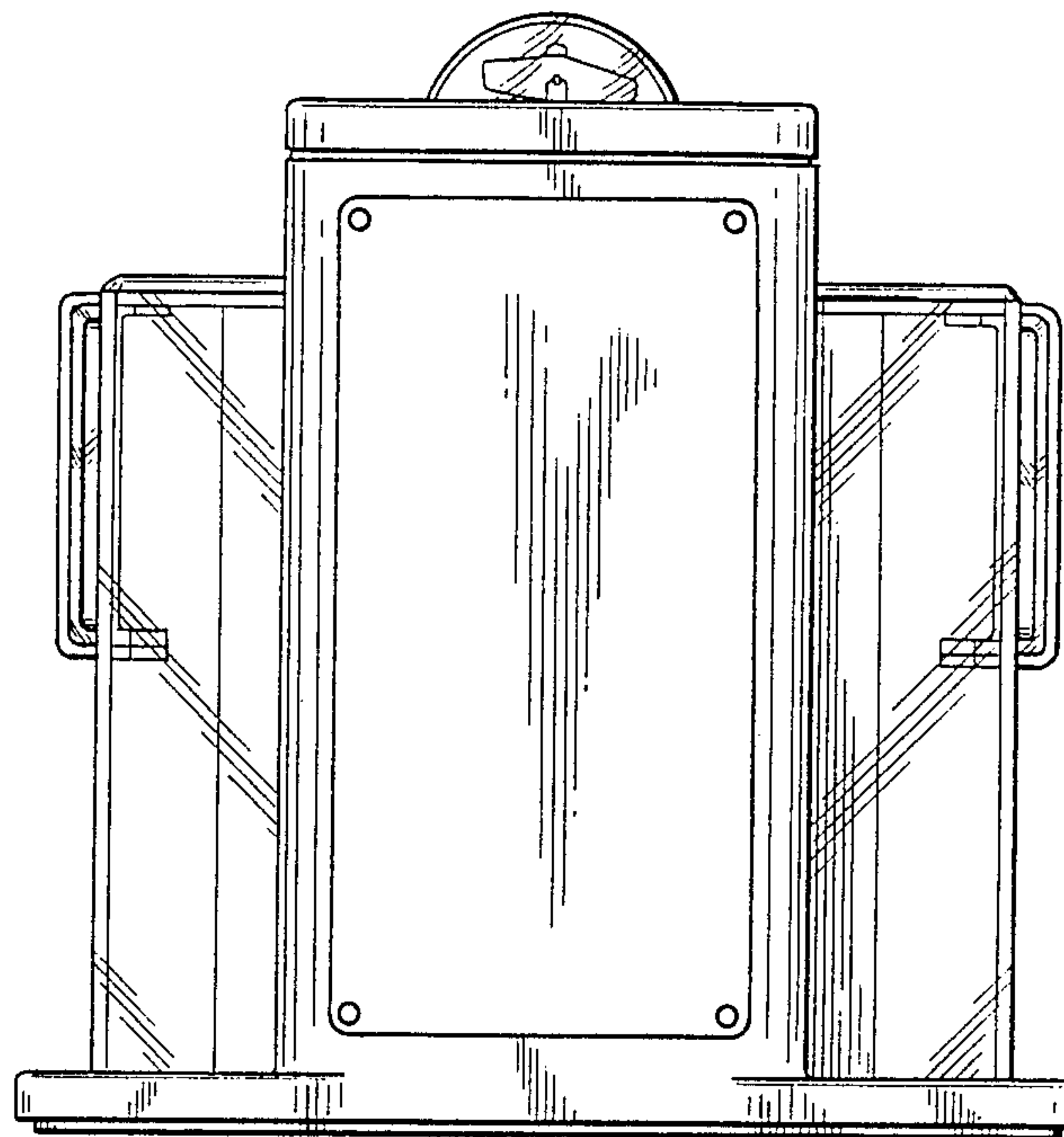


FIG-5

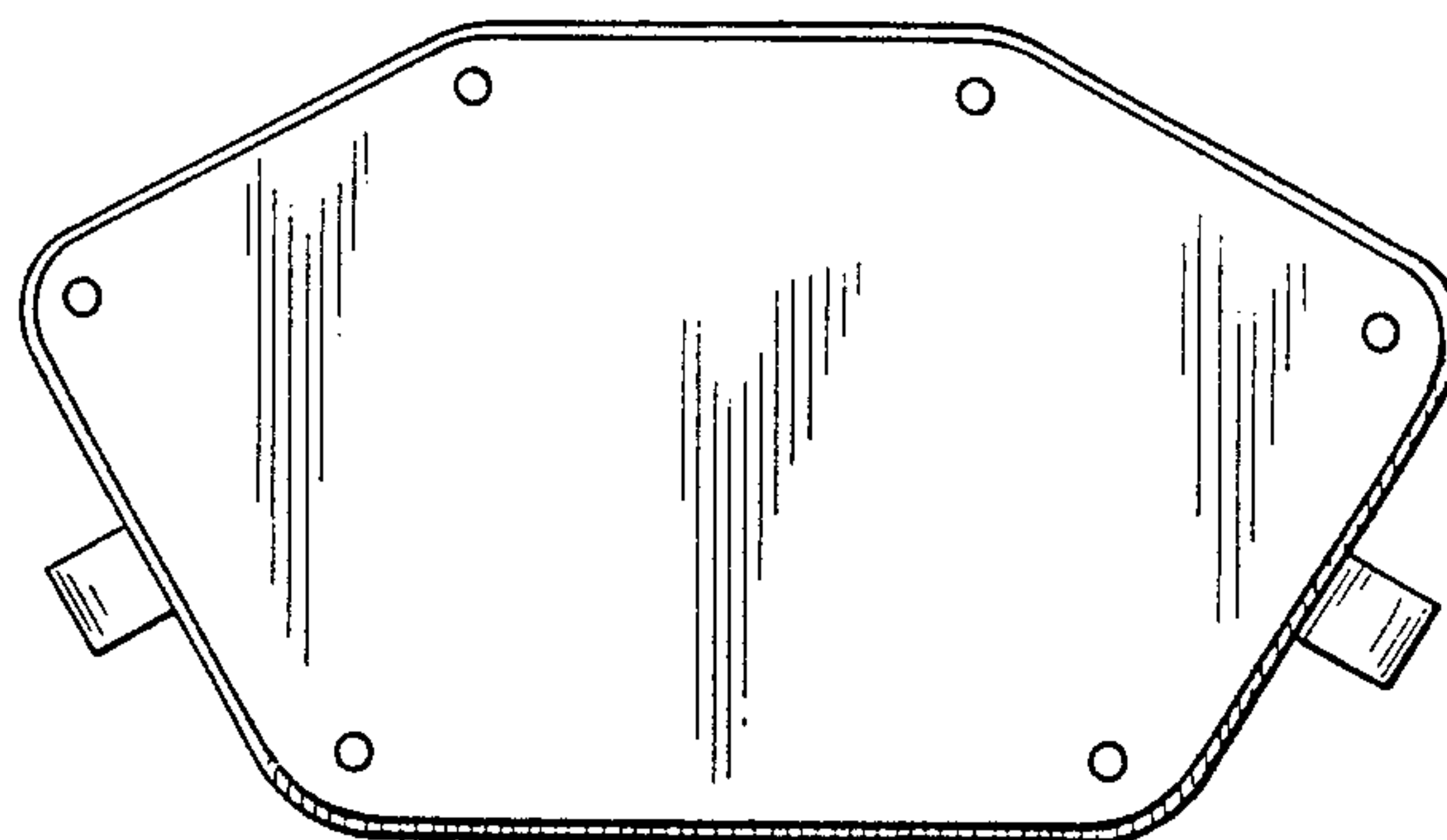


FIG-6

