

[54] **MOTOR DRIVEN TOY CAN**
 [75] **Inventors: Yasuta Satoh; Yasuyuki Moriyama,**
 both of Nagareyama, Japan
 [73] **Assignee: Takara Co., Ltd., Tokyo, Japan**
 [**] **Term: 14 Years**
 [21] **Appl. No.: 435,079**
 [22] **Filed: Nov. 13, 1989**
 [30] **Foreign Application Priority Data**
 May 11, 1989 [JP] Japan 1-17192
 [52] **U.S. Cl. D21/150; D9/307**
 [58] **Field of Search D9/307, 311, 316, 352;**
 D21/59, 109, 150, 177; 496/175, 303, 396, 129,
 176, 268, 323, 359; 272/8 N, 27 N; D16/102;
 220/1 BG, 1 R

[56] **References Cited**
U.S. PATENT DOCUMENTS
 D. 156,088 11/1949 Foster D16/102
 D. 170,962 12/1953 Bloch D16/102
 D. 271,663 12/1983 Stark et al. D9/307
 2,194,537 4/1939 Adams .
 4,762,229 8/1988 Wickre 220/1 BC
 4,775,351 10/1988 Provenzano, Jr. et al. .
 4,852,763 8/1989 Dimberio D9/368

4,860,908 8/1989 Rumble 220/1 R
 4,903,424 2/1990 Satoh et al. .
 4,930,654 6/1990 Thibeault et al. D9/368

FOREIGN PATENT DOCUMENTS

60-175079 9/1985 Japan .
 774379 5/1957 United Kingdom .

Primary Examiner—Charles A. Rademaker
Attorney, Agent, or Firm—Price, Gess & Ubell

[57] **CLAIM**

The ornamental design for a motor driven toy can, as shown and described.

DESCRIPTION

FIG. 1 is a front perspective view of a motor driven toy can showing our new design;
 FIG. 2 is a front elevational view thereof;
 FIG. 3 is a rear elevational view thereof;
 FIG. 4 is a left side elevational view thereof;
 FIG. 5 is a top plan view thereof;
 FIG. 6 is a bottom plan view thereof;
 FIG. 7 is a front elevational view thereof in transitory condition;
 FIG. 8 is a front perspective view of a modified embodiment of the design shown in FIGS. 1 through 7; and,
 FIG. 9 is a front perspective view of a second modified embodiment of the design shown in FIGS. 1 through 7.

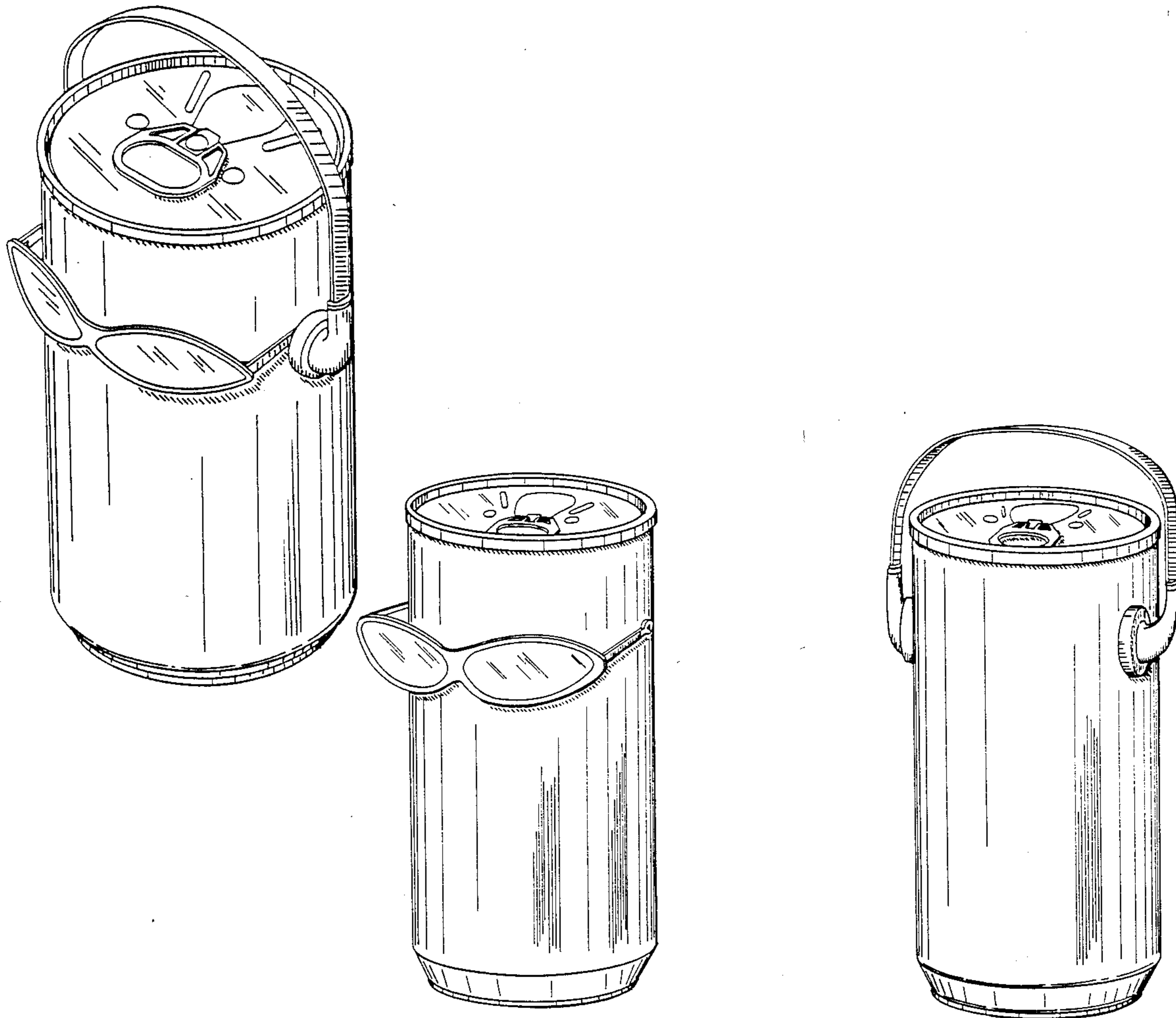


FIG. 2

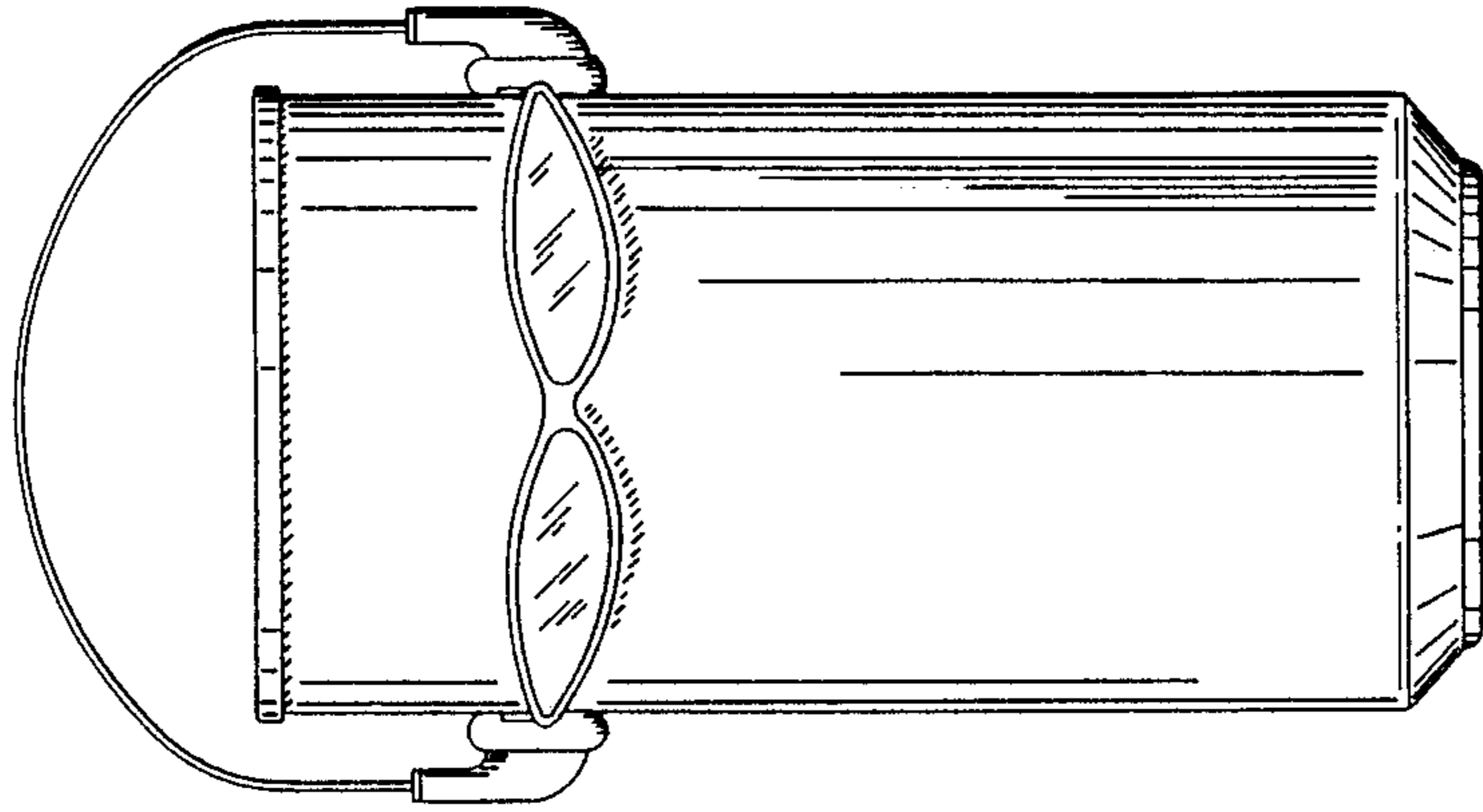


FIG. 1

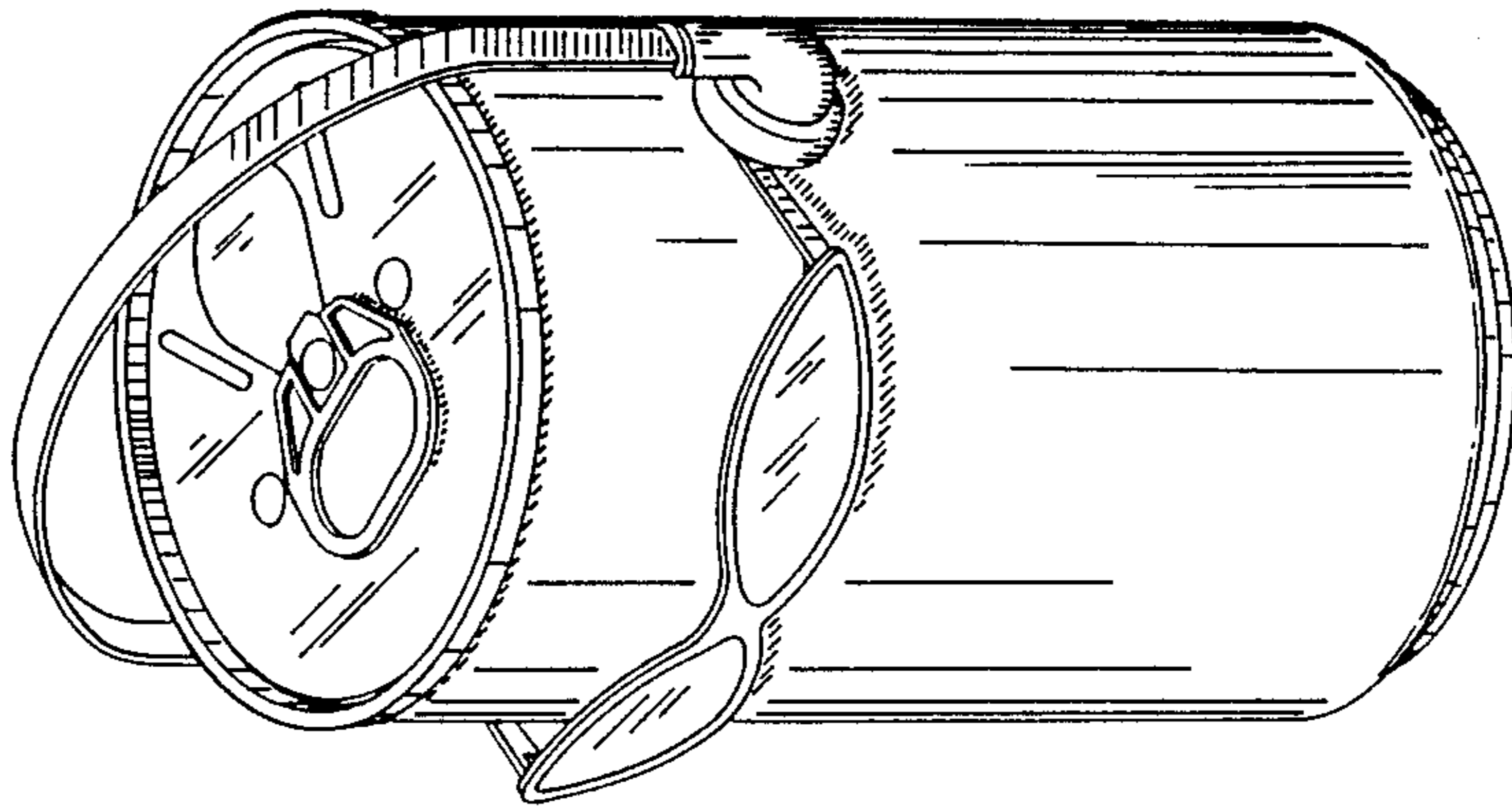


FIG. 4

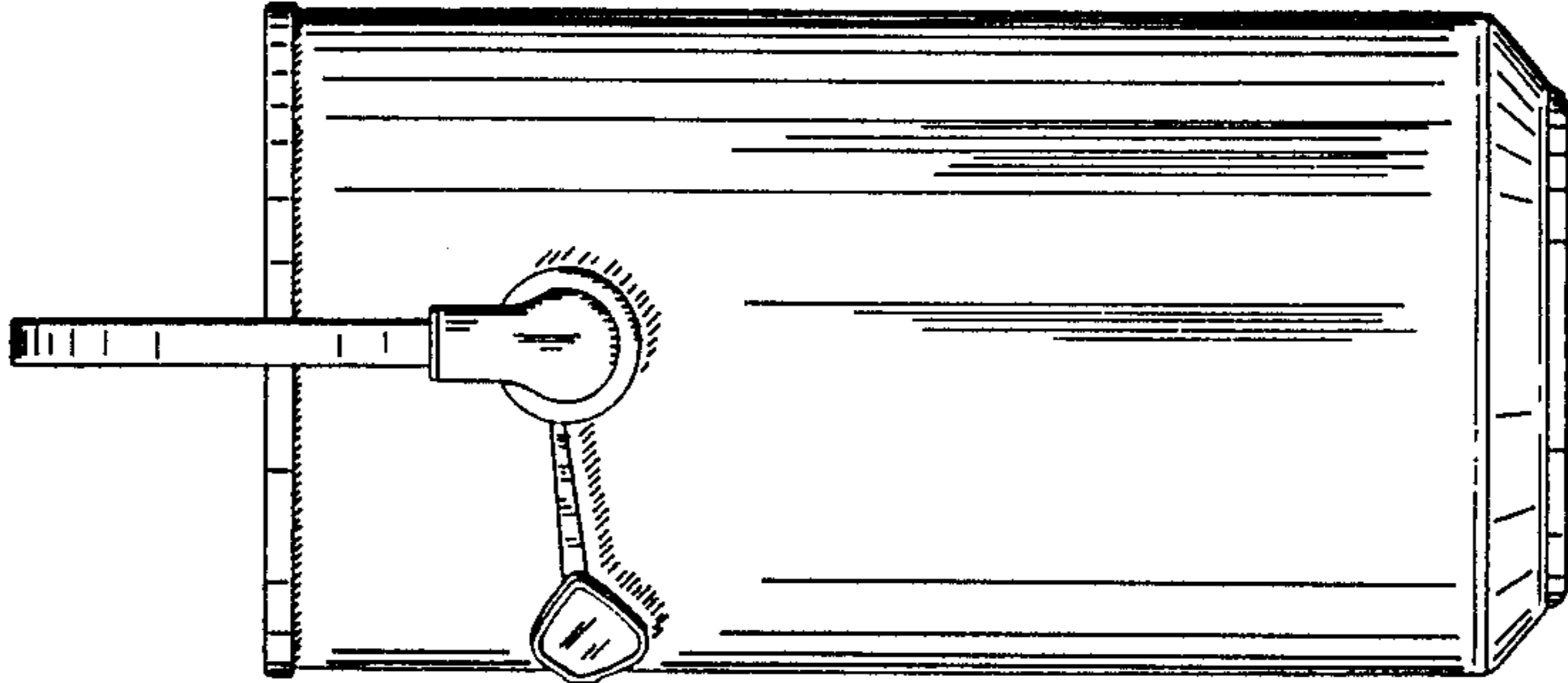


FIG. 3

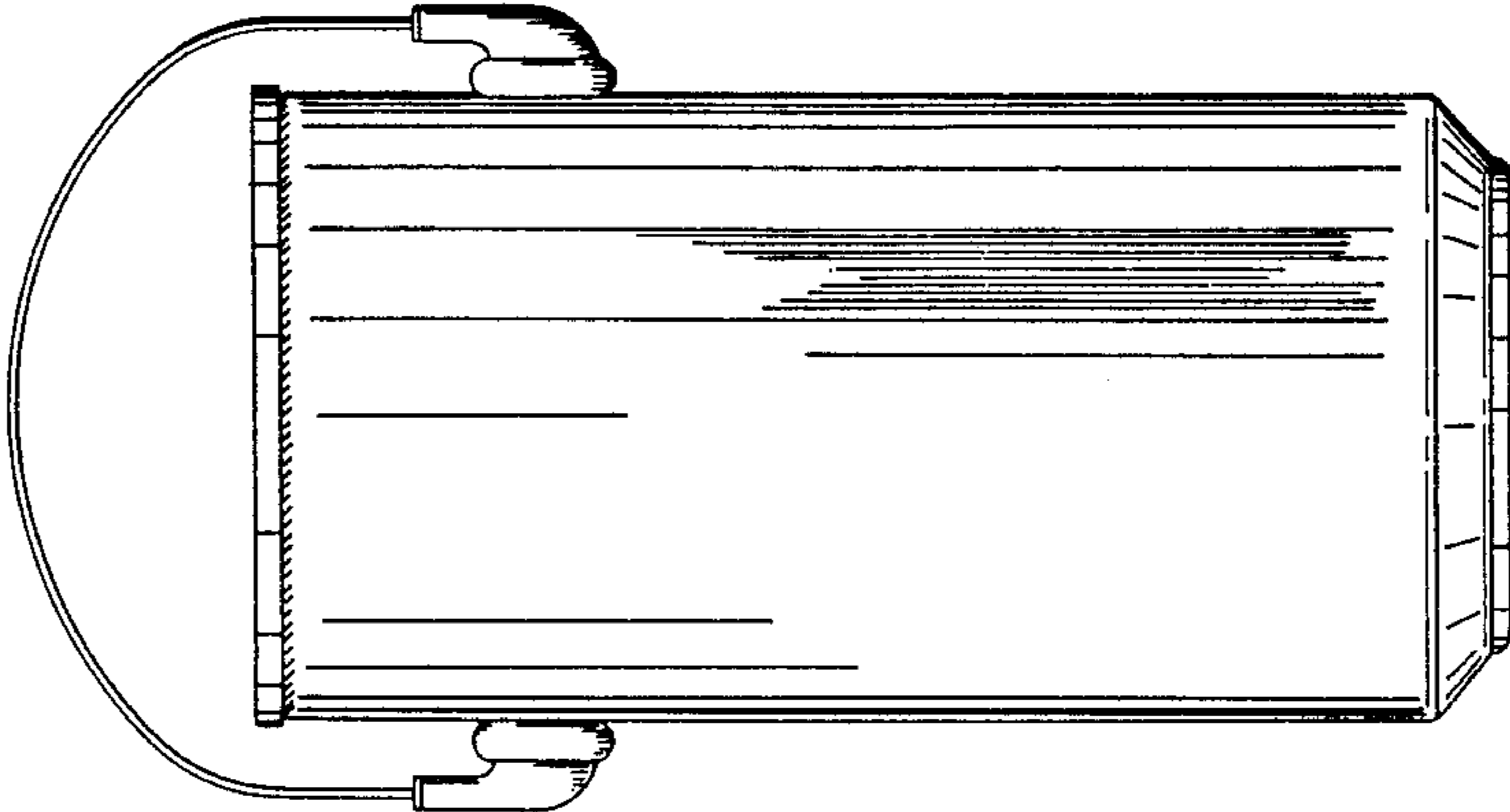


FIG. 7

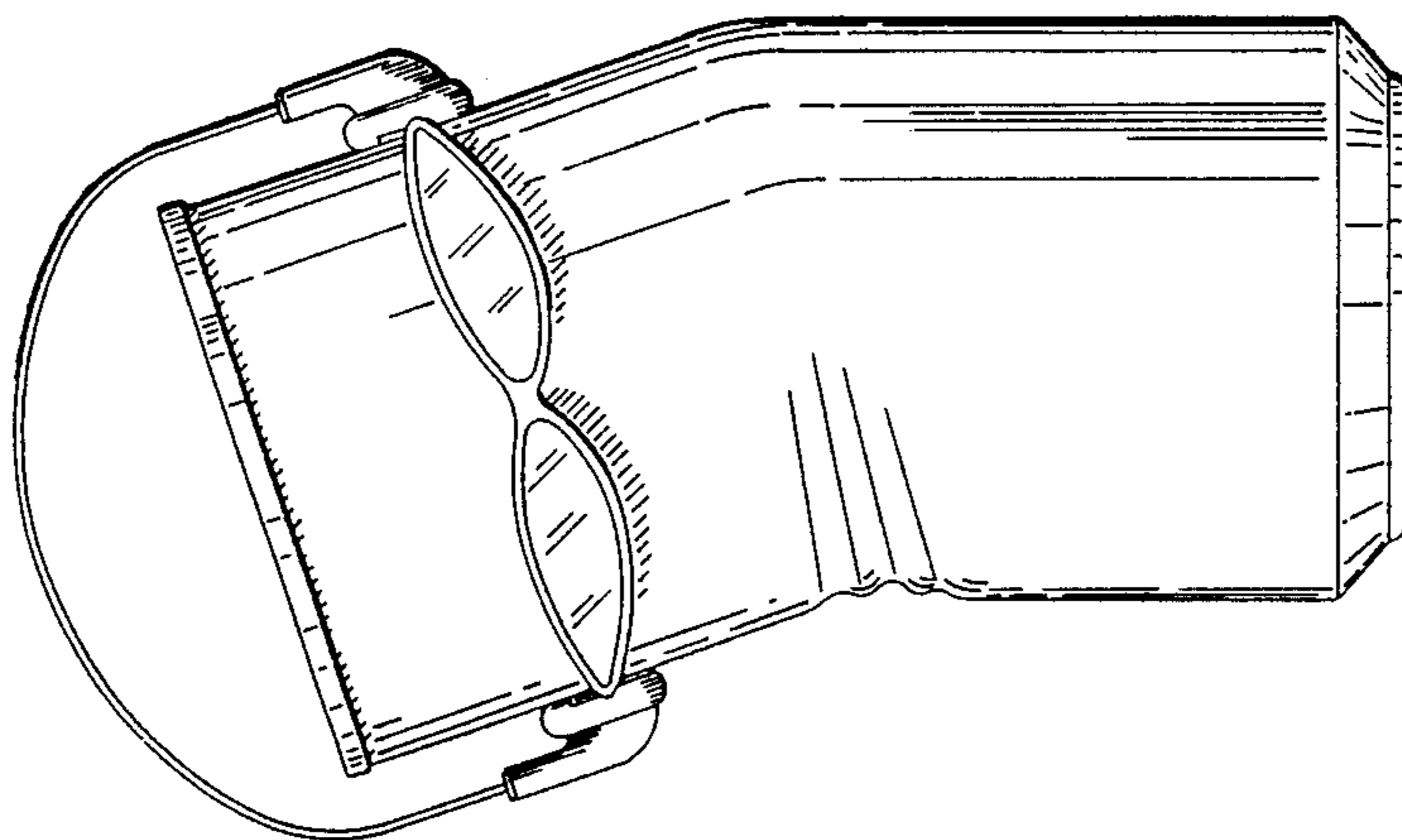


FIG. 5

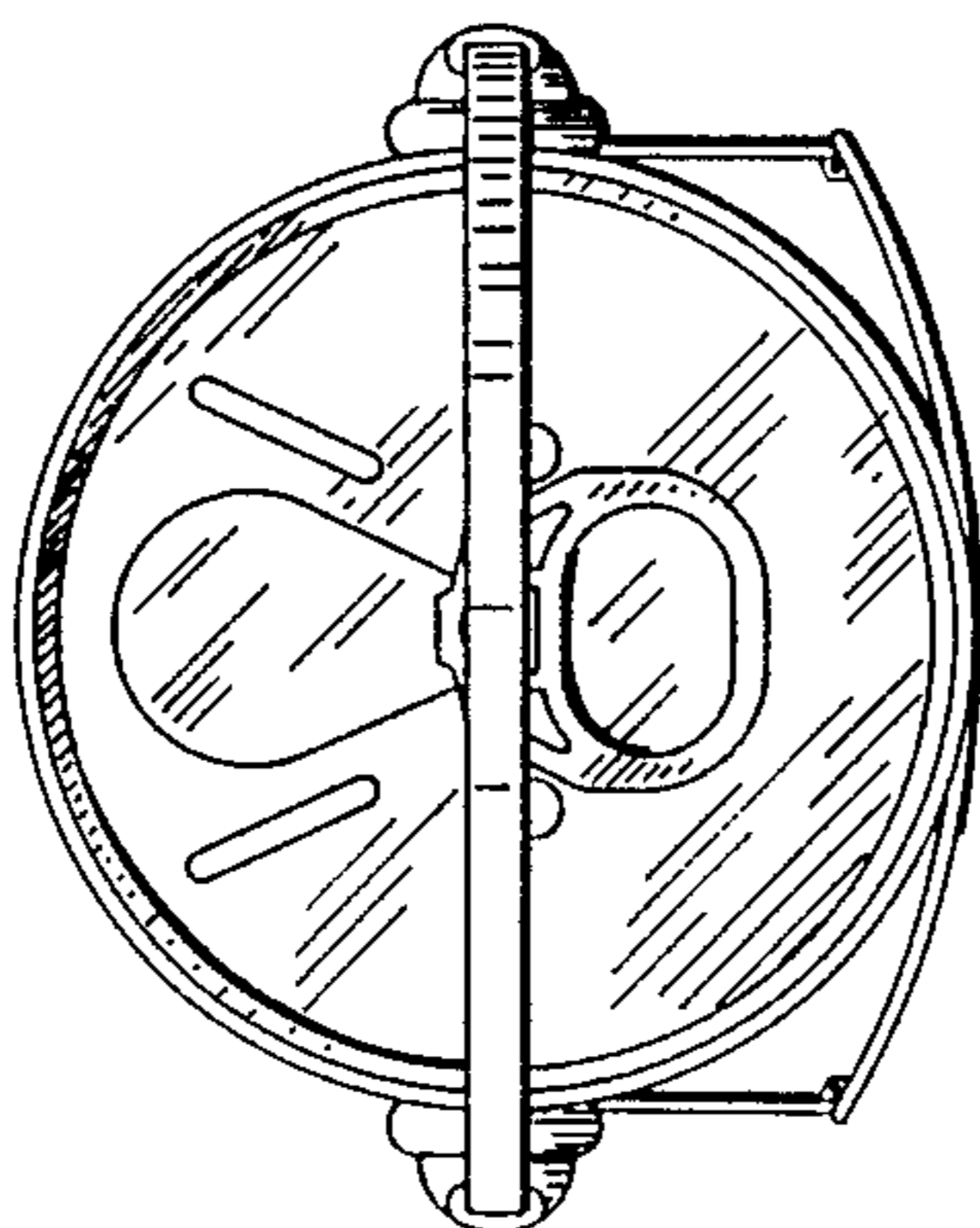


FIG. 6

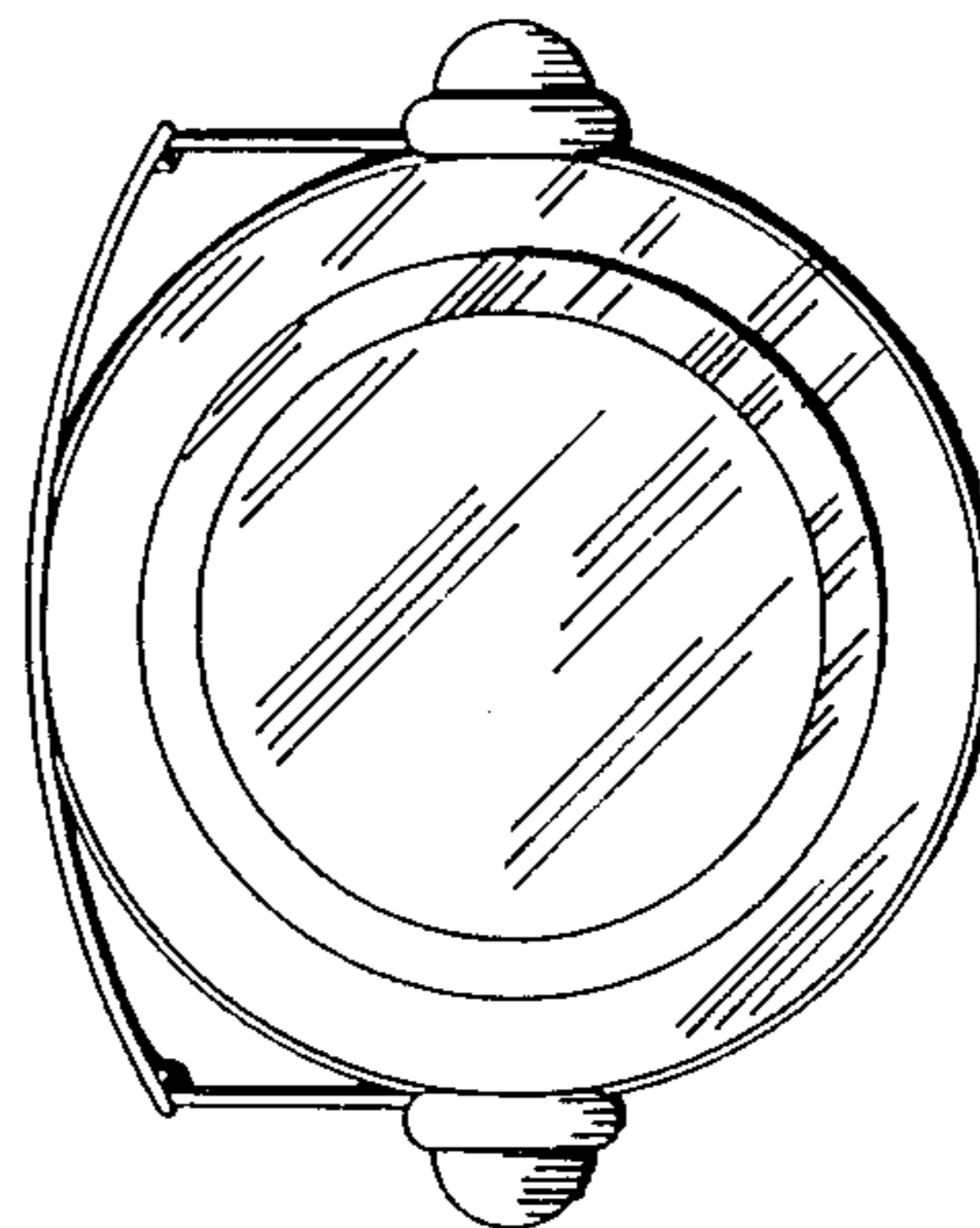


FIG. 9

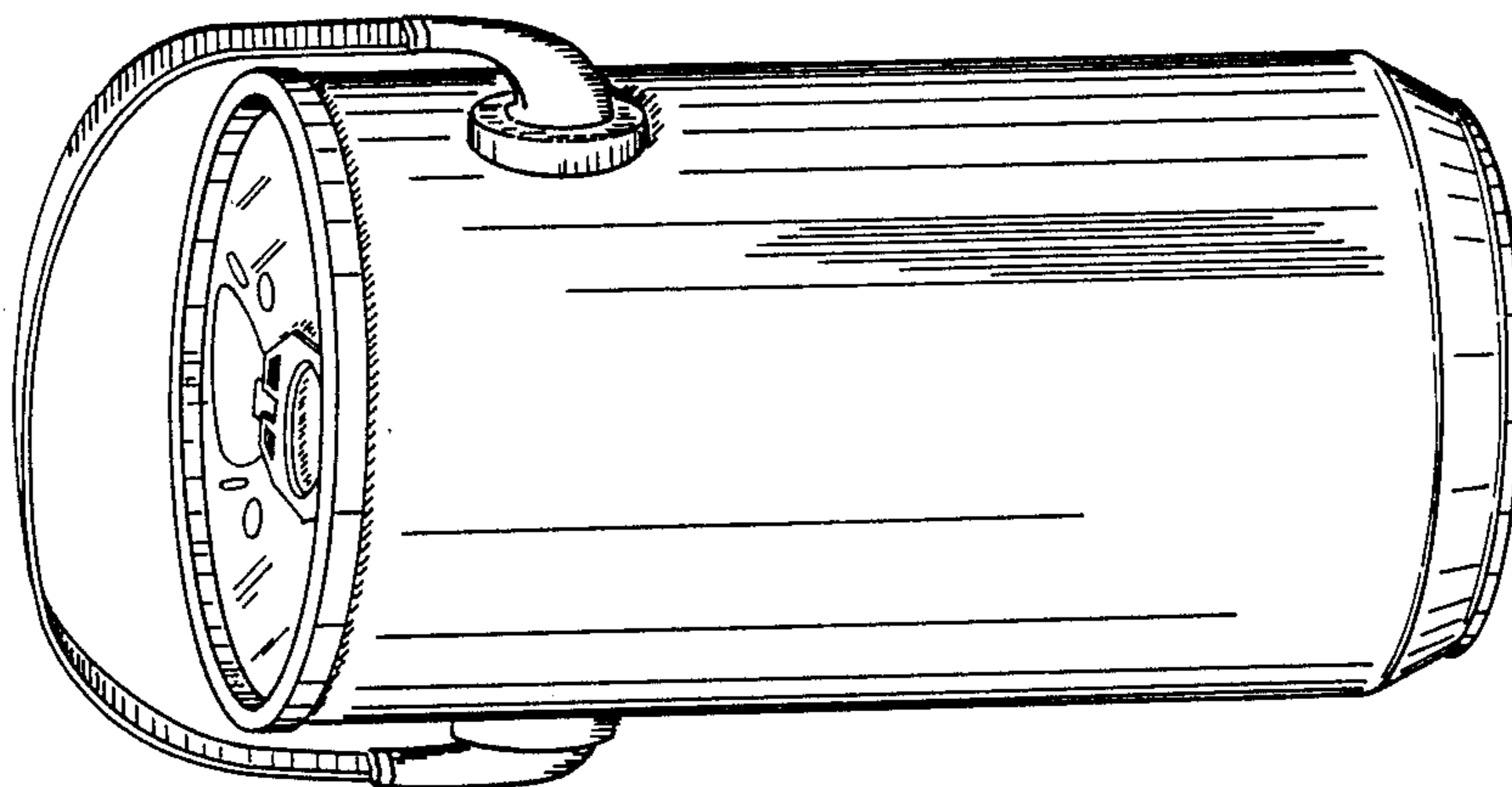


FIG. 8

