

[54] WHEELED DOLL HOUSE

[75] Inventors: Douglas Polumbaum, Roxbury, Conn.; Jerrold J. Krumholz, Maplewood, N.J.

[73] Assignee: Blue Box Toy Factory Limited, Hong Kong

[**] Term: 14 Years

[21] Appl. No.: 291,071

[22] Filed: Dec. 13, 1988

[52] U.S. Cl. D21/114

[58] Field of Search D21/59, 114-119, D21/109, 71; 446/479-481; D12/129; D34/13-19

D. 269,421 6/1983 Kassai D12/129

D. 277,202 1/1985 Appel et al. D21/114

D. 282,674 2/1986 Marschak D21/114

Primary Examiner—Charles A. Rademaker
 Attorney, Agent, or Firm—Pollock, Vande Sande & Priddy

[57] CLAIM

The ornamental design for a wheeled doll house, as shown and described.

DESCRIPTION

FIG. 1 is a top perspective view of a wheeled doll house showing our new design;

FIG. 2 is a front perspective view thereof;

FIG. 3 is a rear perspective view thereof;

FIG. 4 is another perspective view thereof with the doors in an open position;

FIG. 5 is a side perspective view thereof; and,

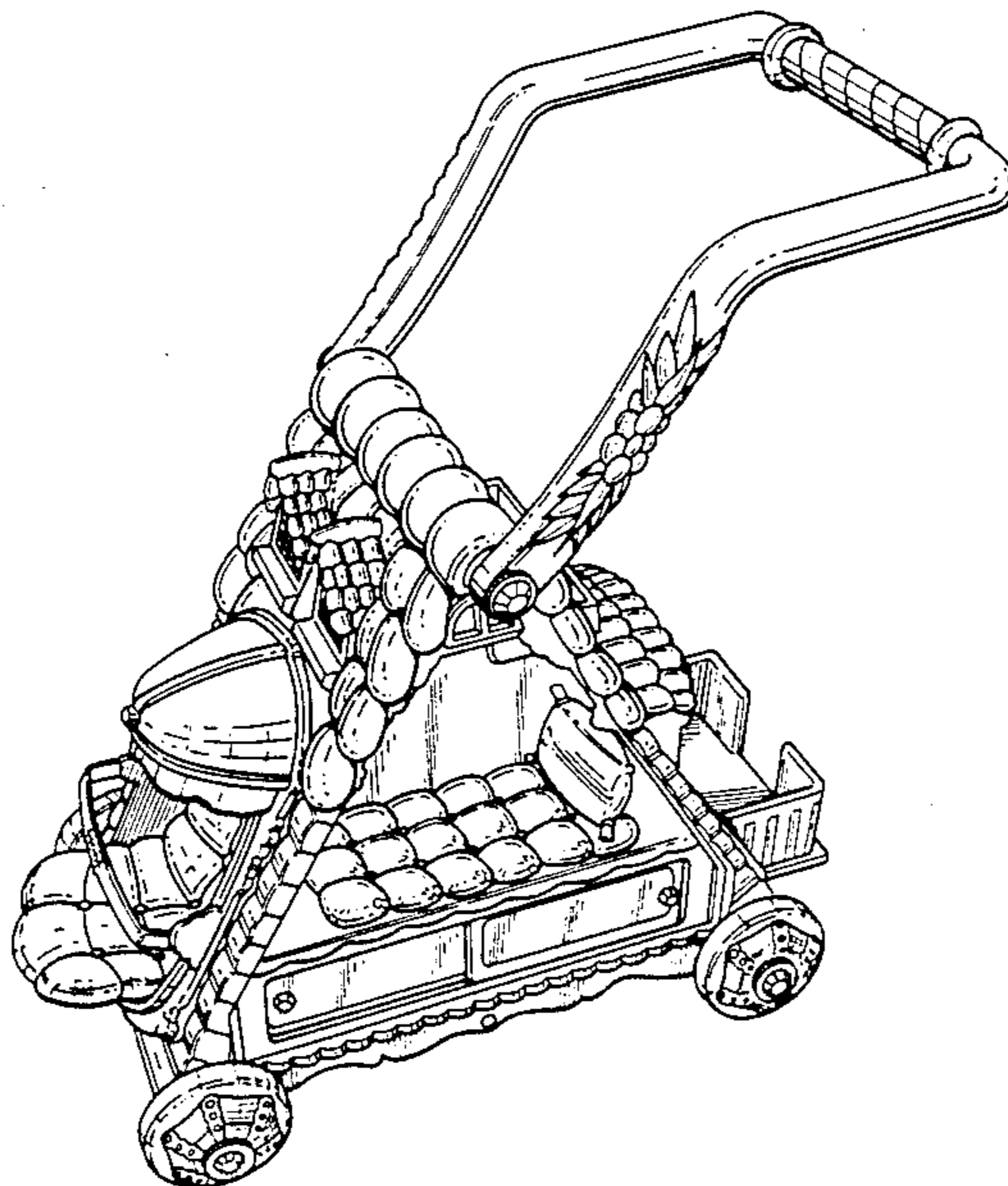
FIG. 6 is a side perspective view of the side opposite that shown in FIG. 4.

[56] References Cited

U.S. PATENT DOCUMENTS

D. 198,920 8/1964 Corbett D34/13

D. 264,955 6/1982 Johnson D12/129



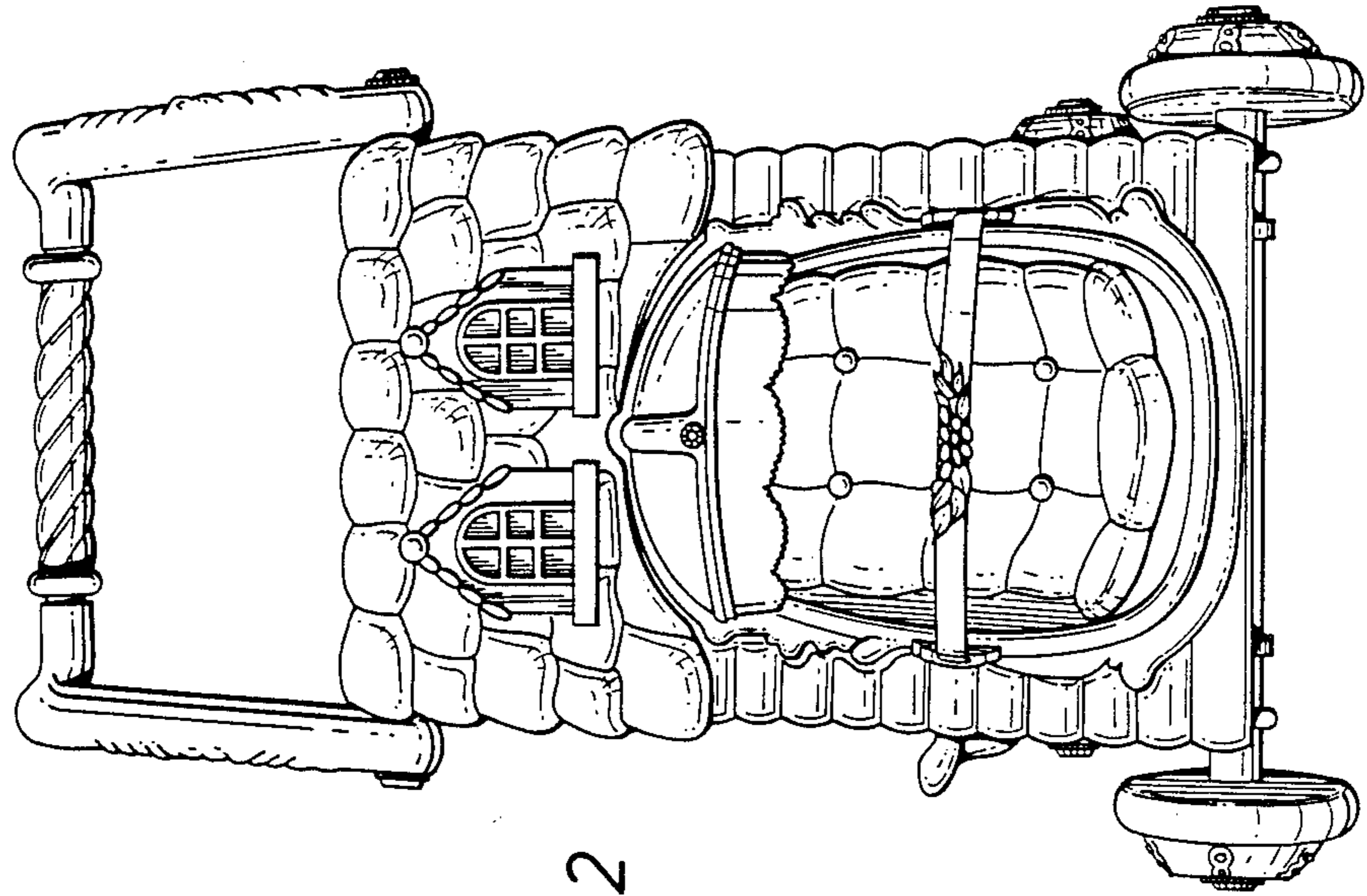


FIG. 2

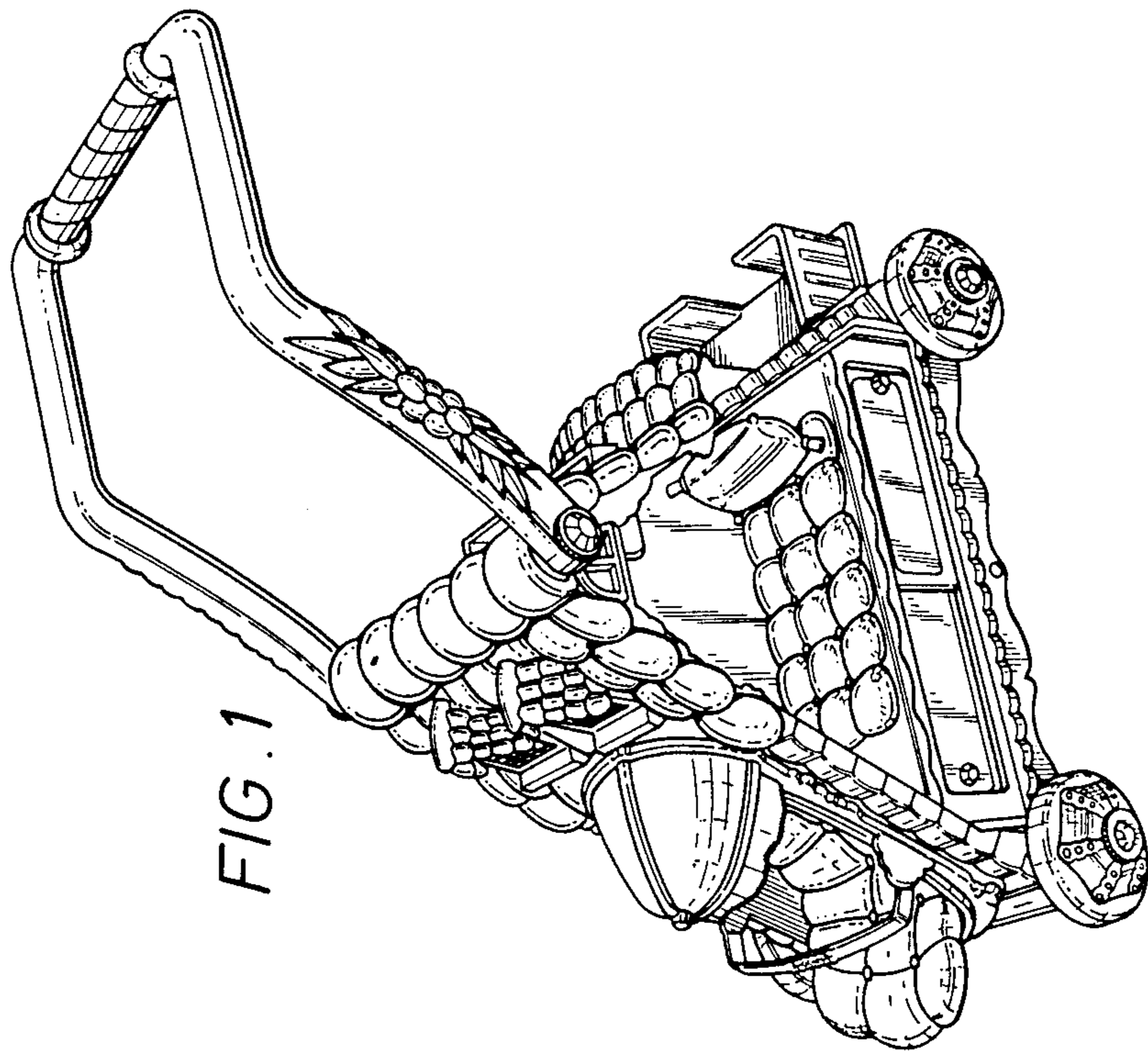


FIG. 1

FIG. 4

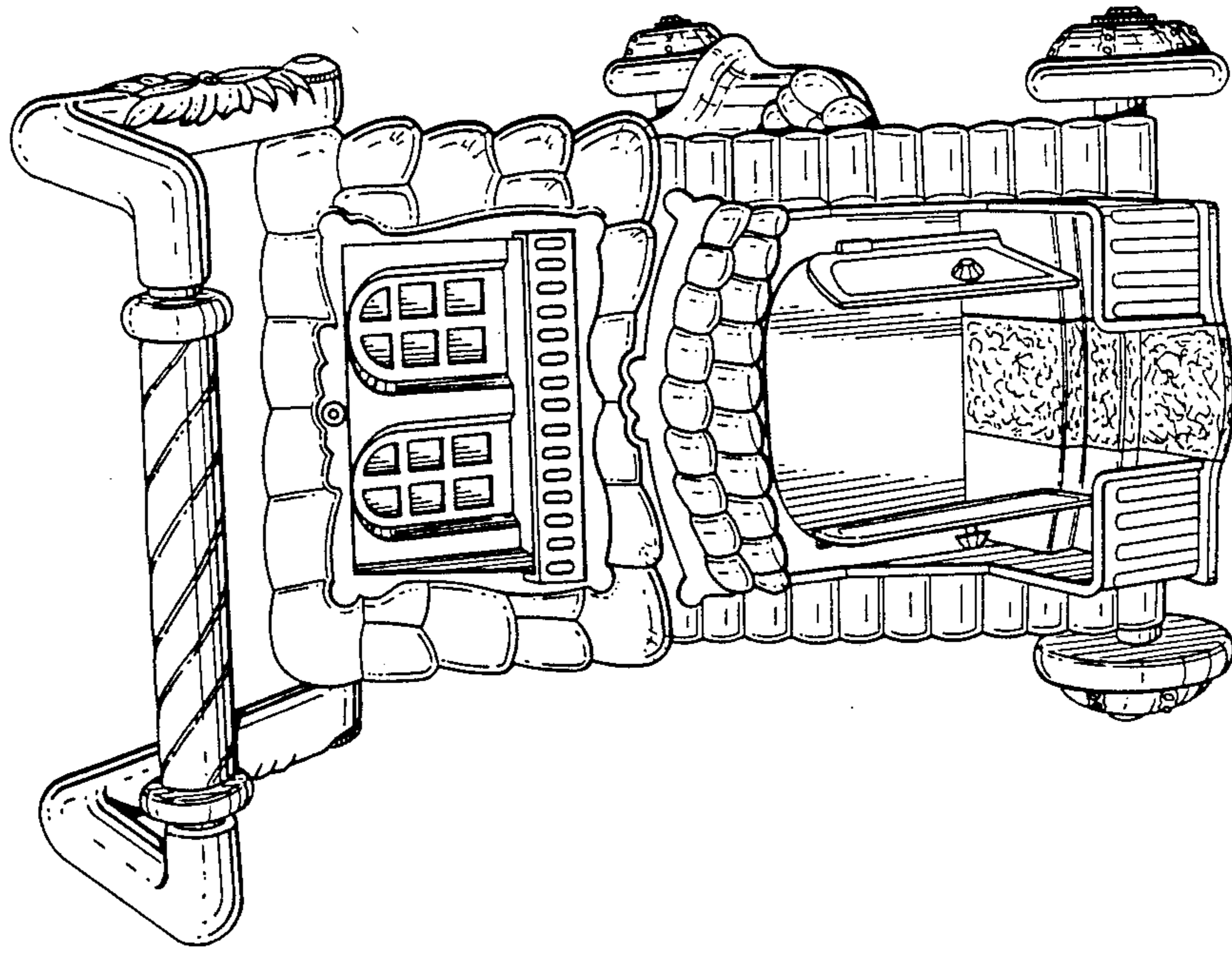
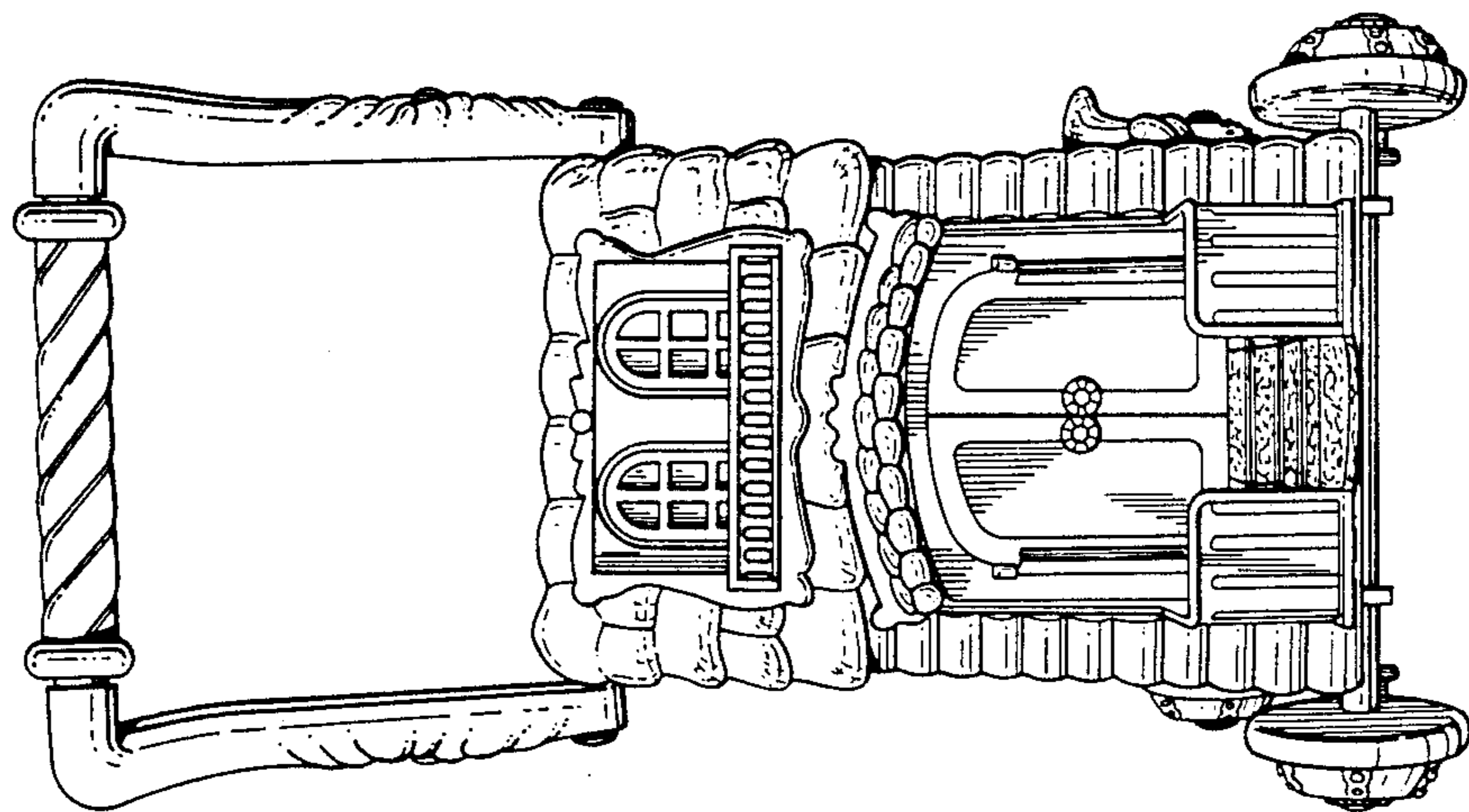


FIG. 3



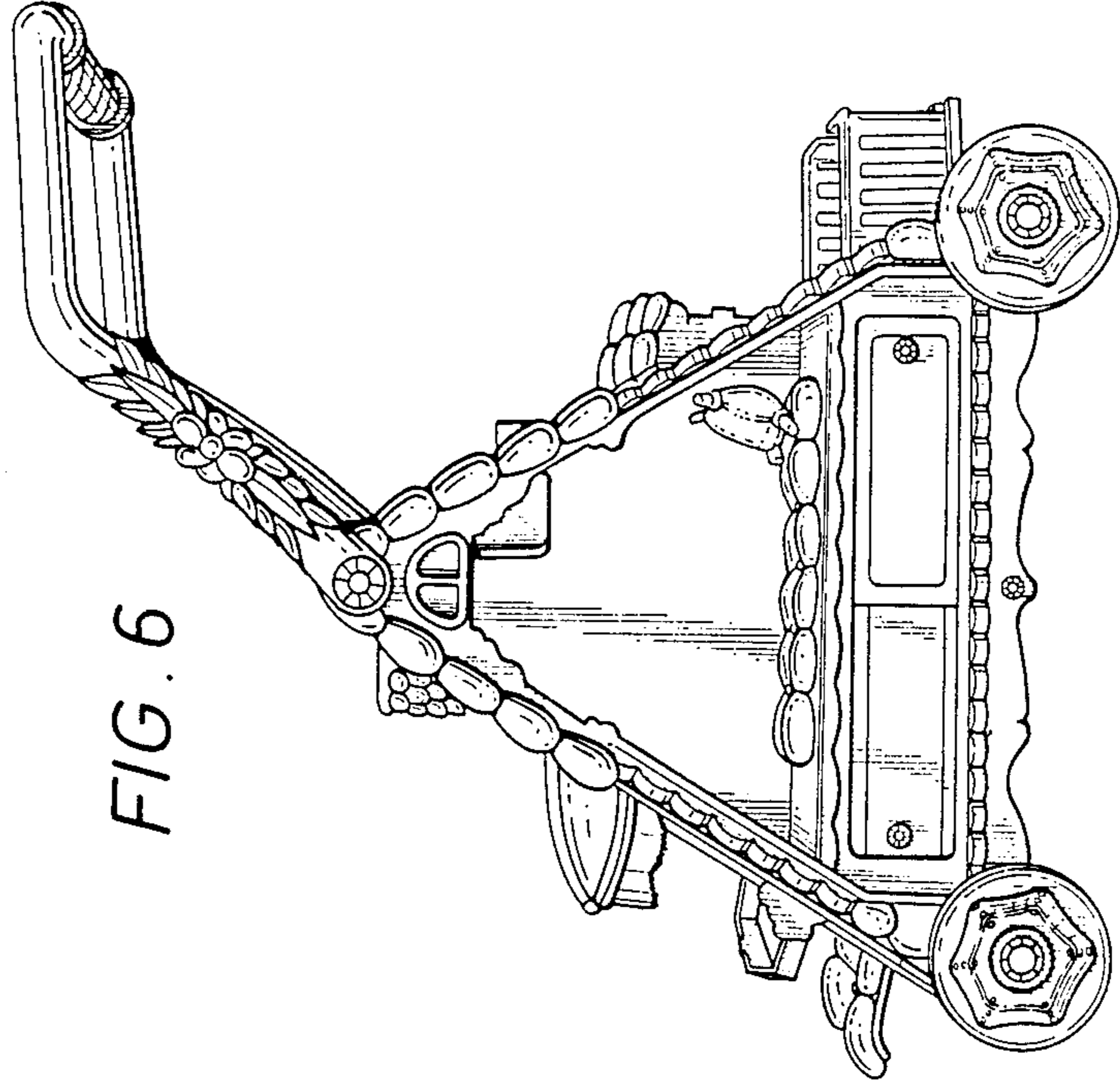


FIG. 6

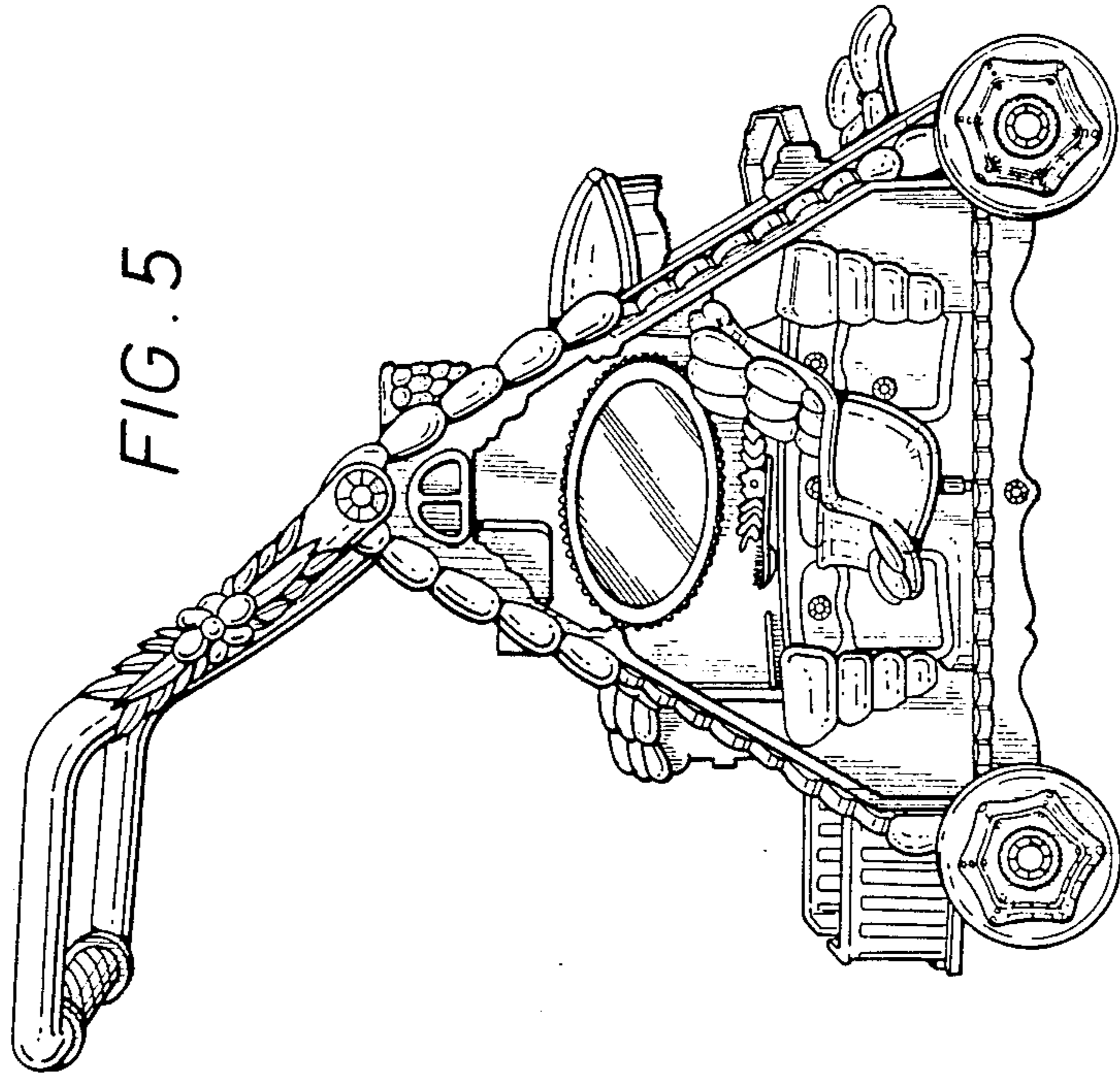


FIG. 5