

[54] **TOY LAWN MOWER**

[75] **Inventor: Ronald R. Klawitter, Berger, Mo.**

[73] **Assignee: Handi-Pac, Inc., Hermann, Mo.**

[**] **Term: 14 Years**

[21] **Appl. No.: 184,663**

[22] **Filed: Apr. 21, 1988**

[52] **U.S. Cl. D21/109**

[58] **Field of Search D21/109, 124, 122, 59;
446/144, 491; D15/14, 15**

[56] **References Cited**

U.S. PATENT DOCUMENTS

D. 179,511	1/1957	Graham et al.	D15/14
D. 249,266	9/1978	Furuya	D15/14
3,292,300	12/1966	Lescher et al.	446/144
3,838,558	10/1974	Goodchild	D15/14

OTHER PUBLICATIONS

Home Furnishings Daily, 5-18-1962, p. 20, Electric Mower.

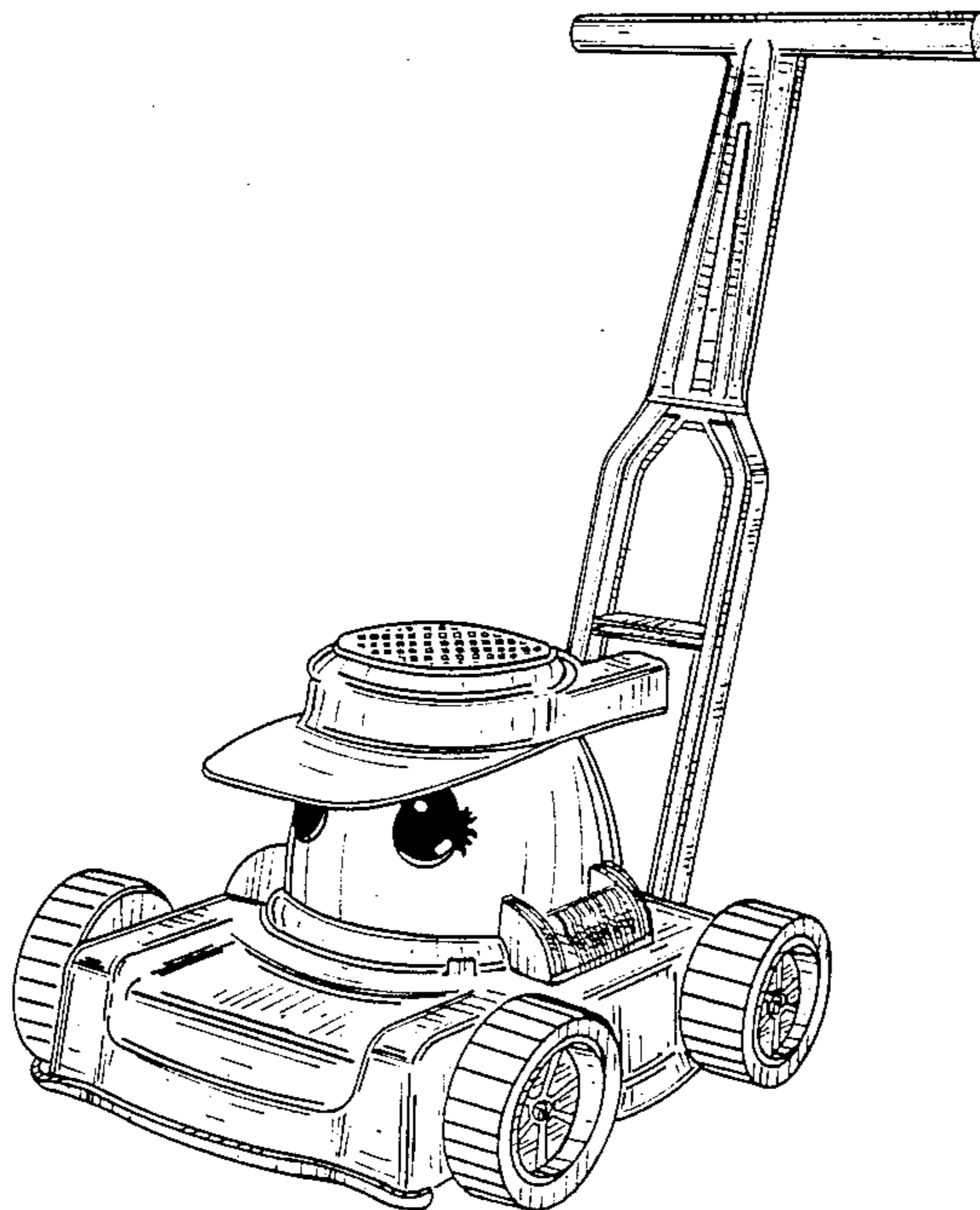
Primary Examiner—Charles A. Rademaker
Attorney, Agent, or Firm—Polster, Polster and Lucchesi;
Polster, Polster and Lucchesi

[57] **CLAIM**

The ornamental design for toy lawn mower, as shown and described.

DESCRIPTION

FIG. 1 is a front perspective view of a toy lawn mower showing my new design;
FIG. 2 is a front elevational view thereof;
FIG. 3 is a rear elevational view thereof;
FIG. 4 is a top plan view thereof;
FIG. 5 is a side elevational view thereof, the side opposite being a mirror image;
FIG. 6 is a bottom plan view thereof; and,
FIG. 7 is a side elevational view with the top removed and shown in an inverted condition.



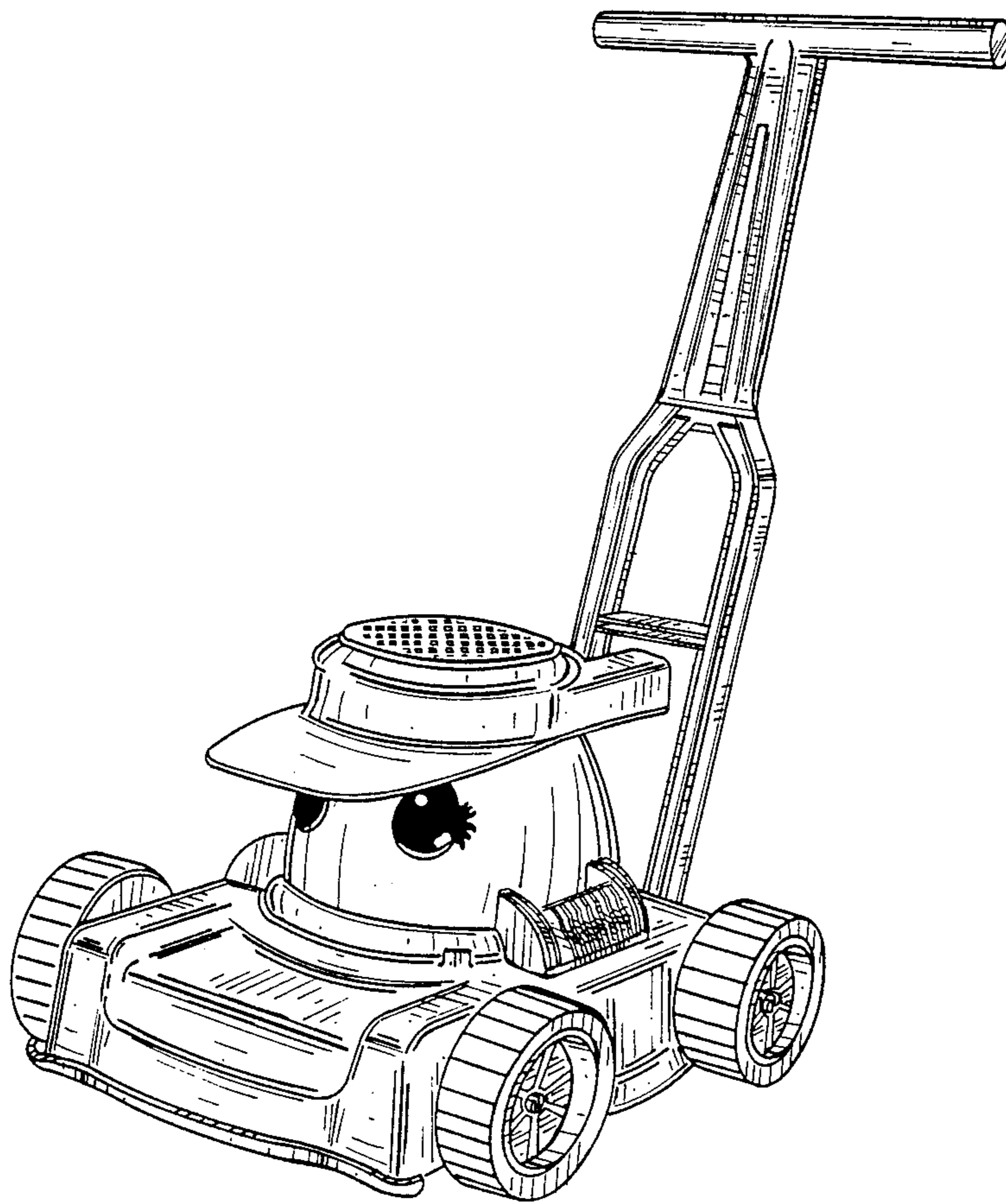


FIG. I.

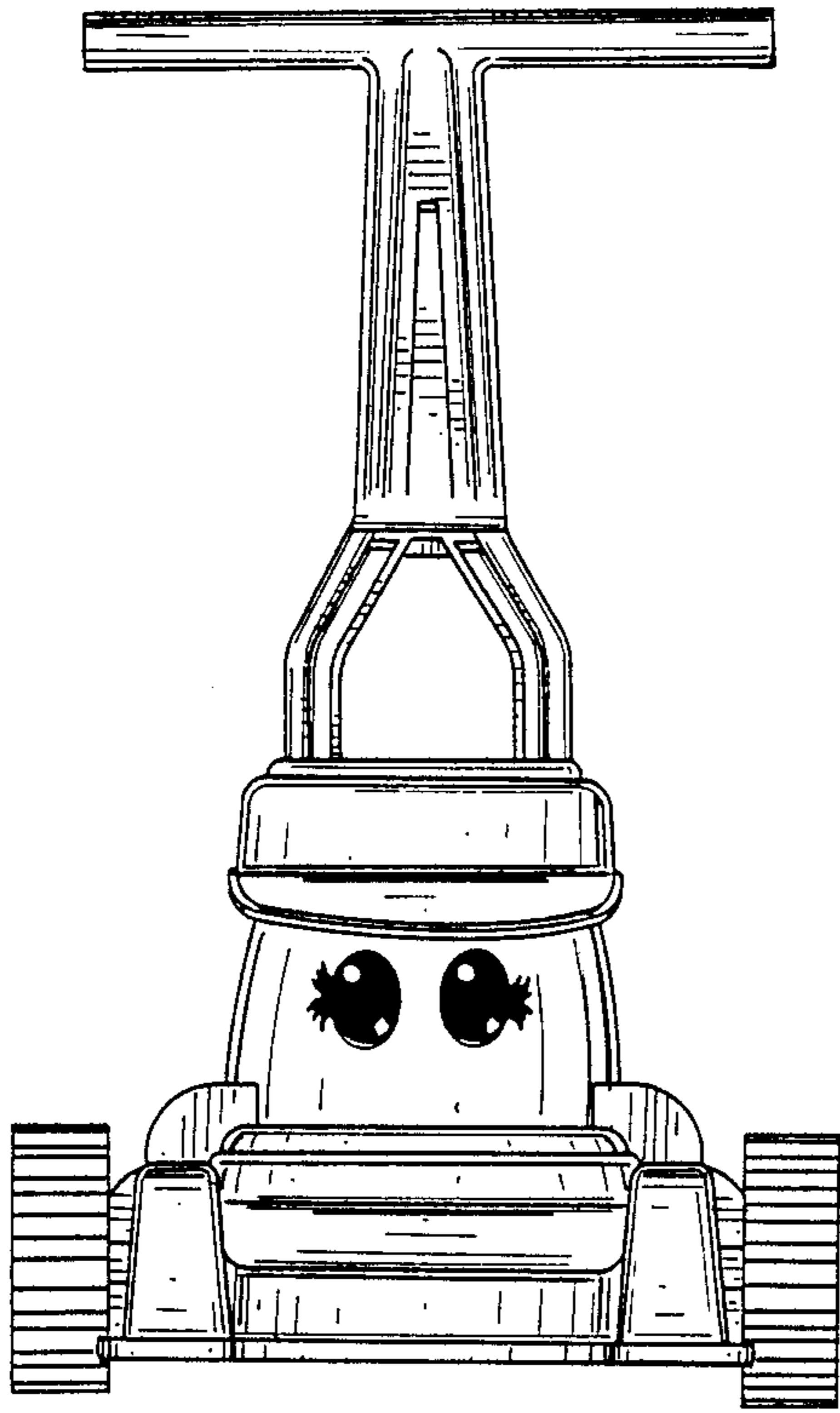


FIG. 2.

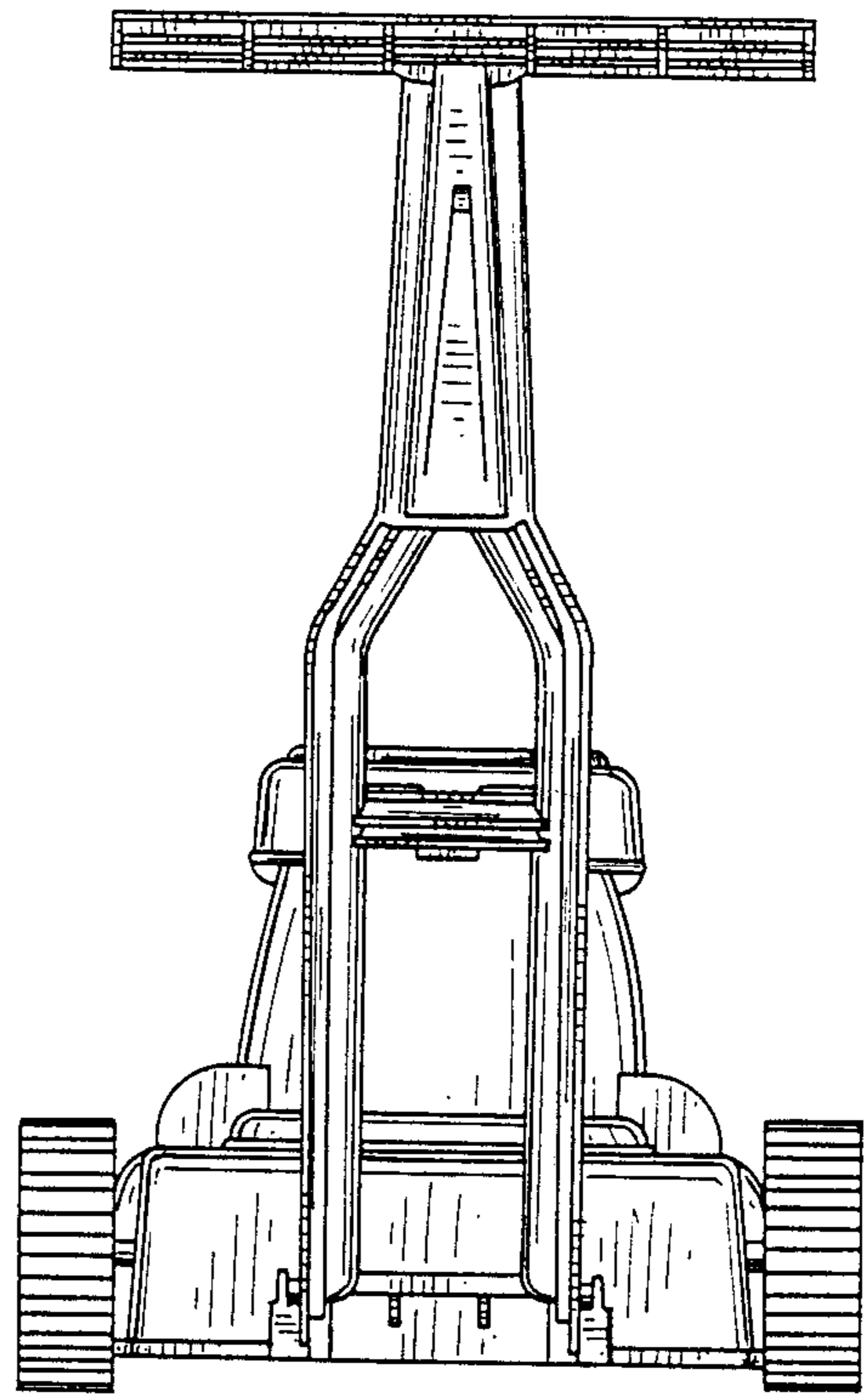


FIG. 3.

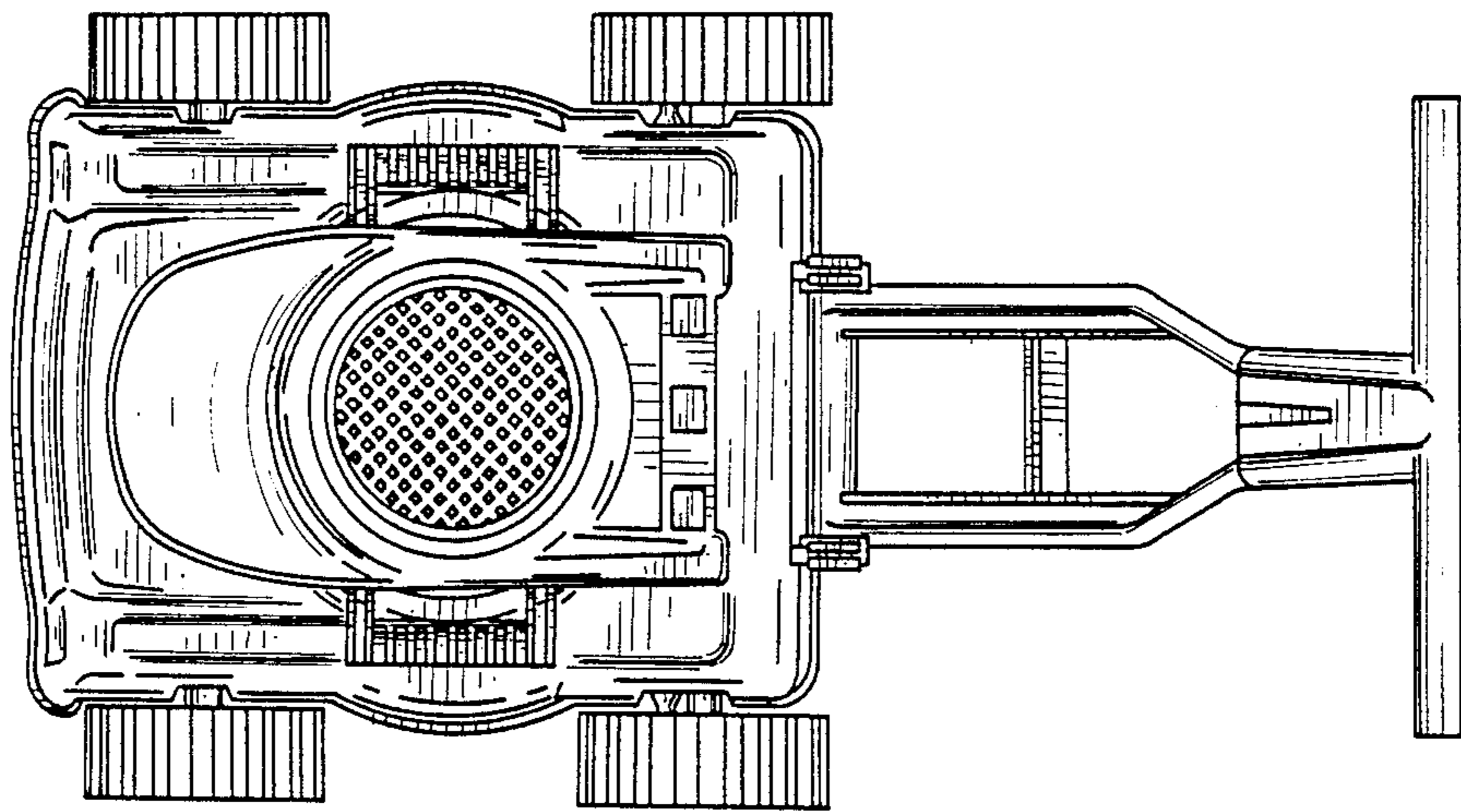


FIG. 4.

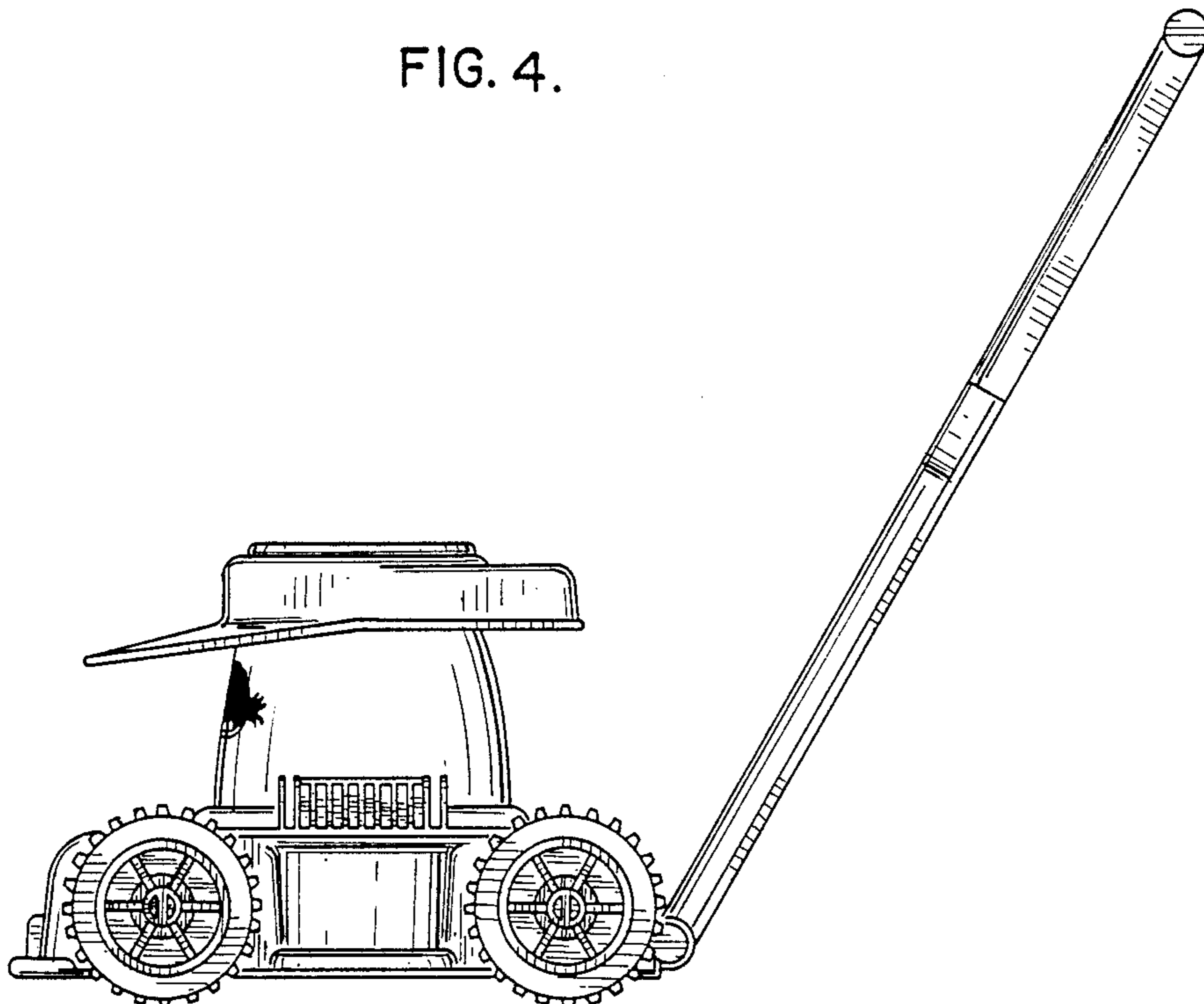


FIG. 5.

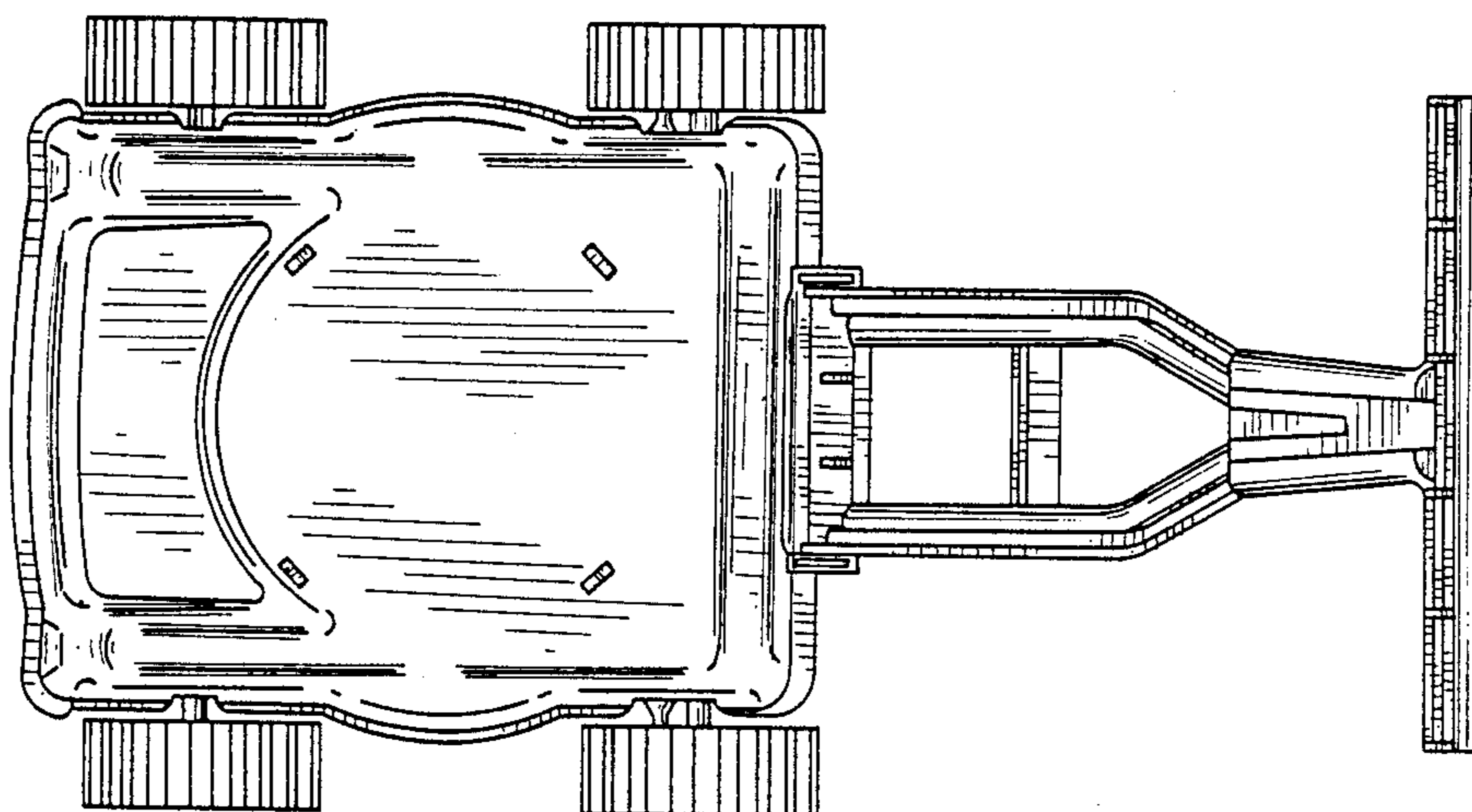


FIG. 6.

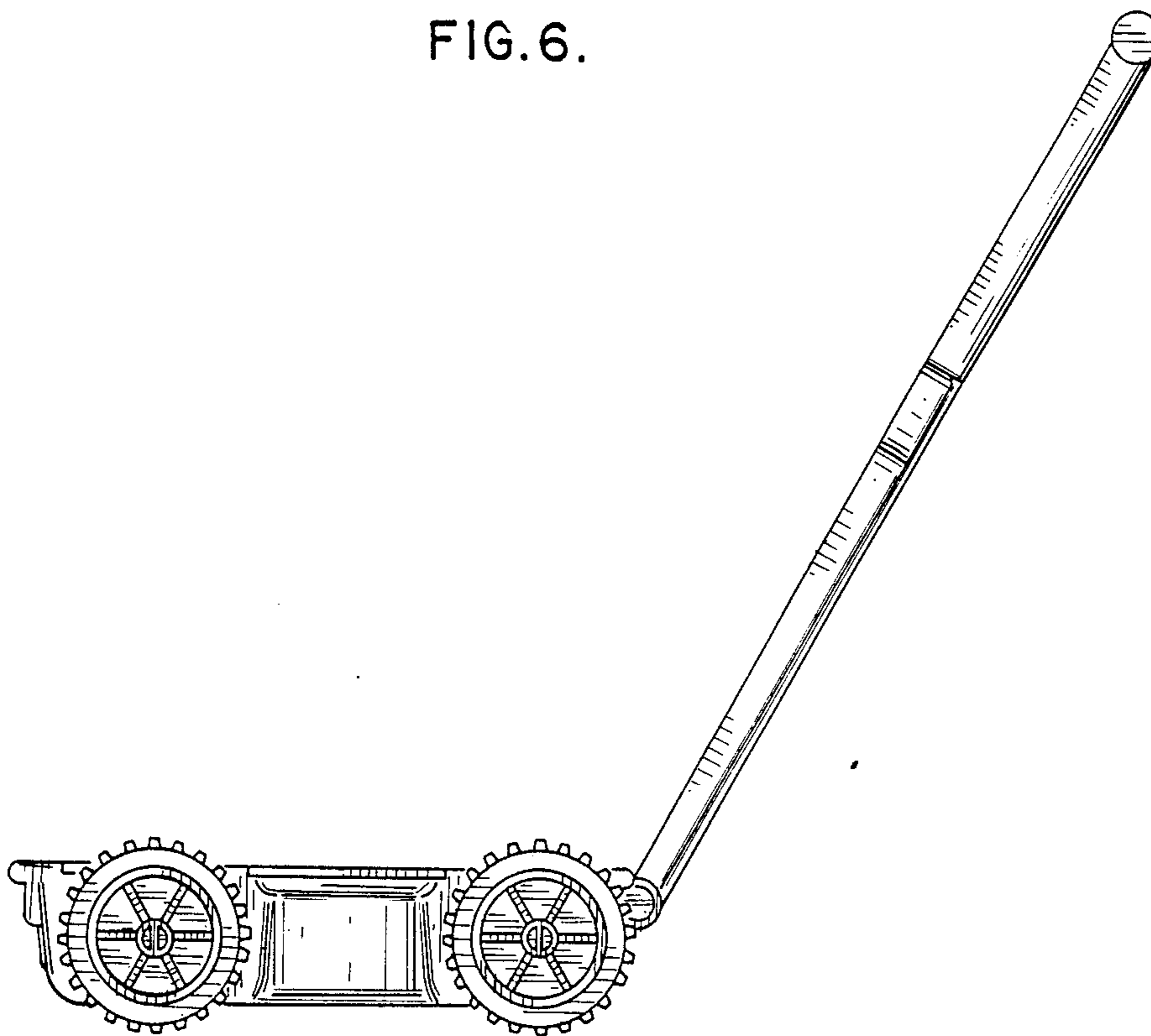


FIG. 7.