

[54] TOY AIRPLANE

[76] Inventors: Serafino Visco, Rte. 3, Box 78D, Berkeley Springs, W. Va. 25411; Glenn Nitti, P.O. Box 209, Santa Paula, Calif. 93060; Edward Mahoney, 103 N. Cortez, Prescott, Ariz. 86301

[**] Term: 14 Years

[21] Appl. No.: 270,296

[22] Filed: Nov. 14, 1988

[52] U.S. Cl. D21/87

[58] Field of Search D21/82-89; D12/343, 342; 446/62-69

[56] References Cited

U.S. PATENT DOCUMENTS

- D. 202,749 11/1965 Holtby et al. D12/343
- D. 223,716 5/1972 Choong D21/84
- D. 277,301 1/1985 Sampson D21/89

- 2,221,012 11/1940 Walker 446/62
- 3,898,763 8/1975 Rizzo 446/68

FOREIGN PATENT DOCUMENTS

- R14911 10/1956 Fed. Rep. of Germany 446/61

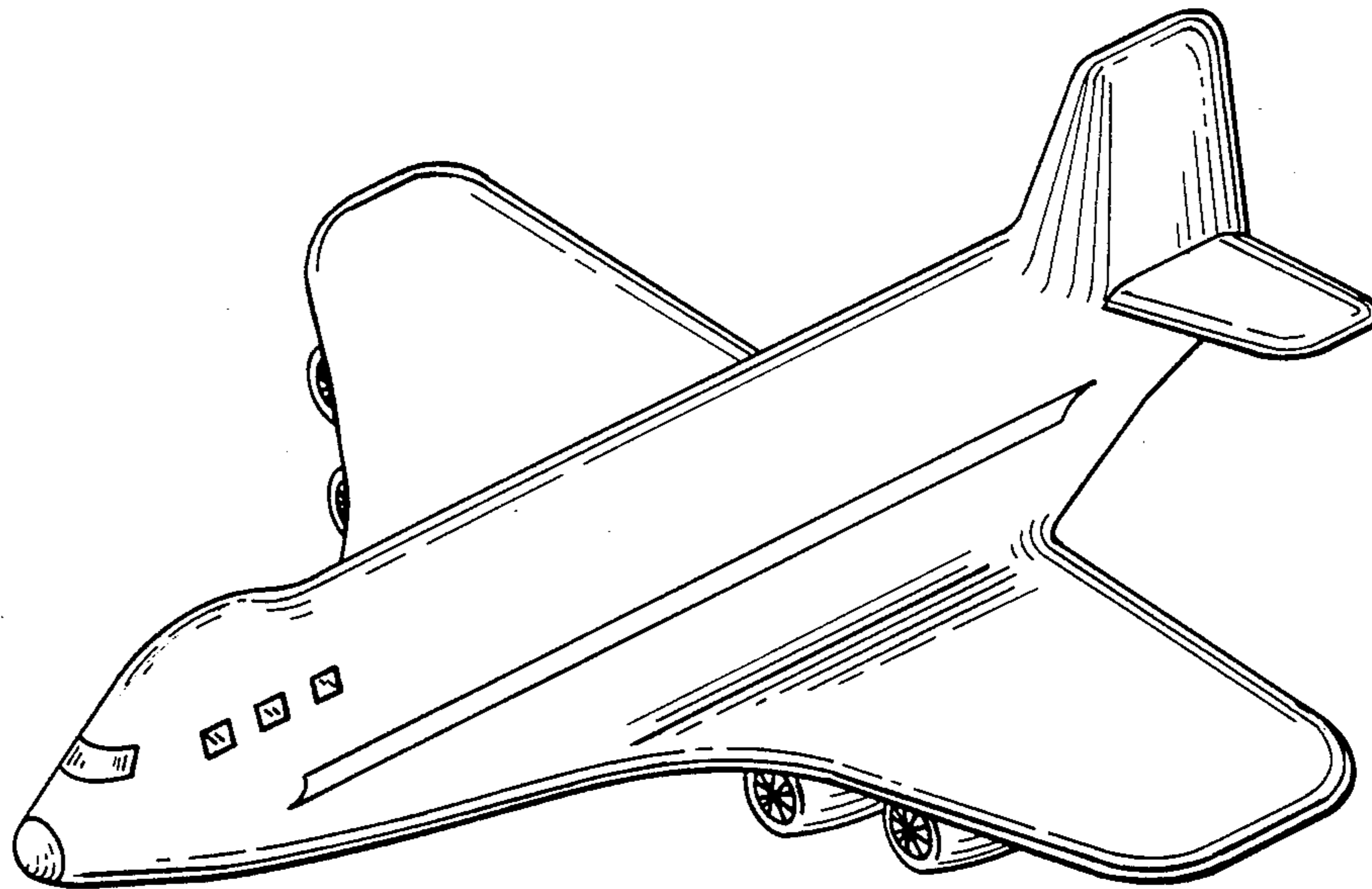
Primary Examiner—Charles A. Rademaker
Attorney, Agent, or Firm—T. M. Gernstein

[57] CLAIM

The ornamental design for a toy airplane, as shown and described.

DESCRIPTION

FIG. 1 is a perspective view of a toy airplane showing our new design;
 FIG. 2 is a side elevational view thereof, the side opposite being substantially a mirror image;
 FIG. 3 is a front elevational view thereof;
 FIG. 4 is a top plan view thereof;
 FIG. 5 is a rear elevational view thereof; and,
 FIG. 6 is a bottom plan view thereof.



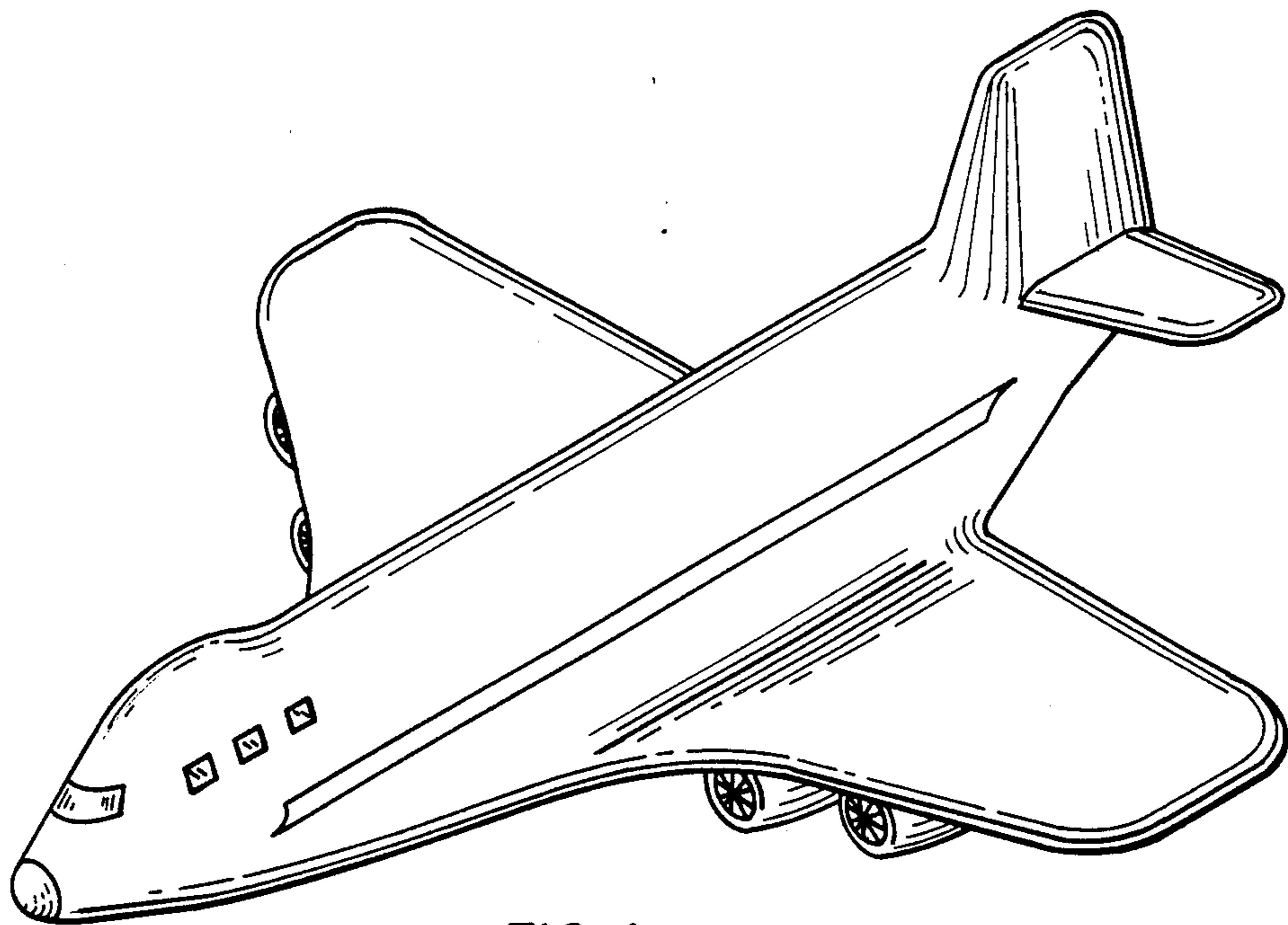


FIG. 1

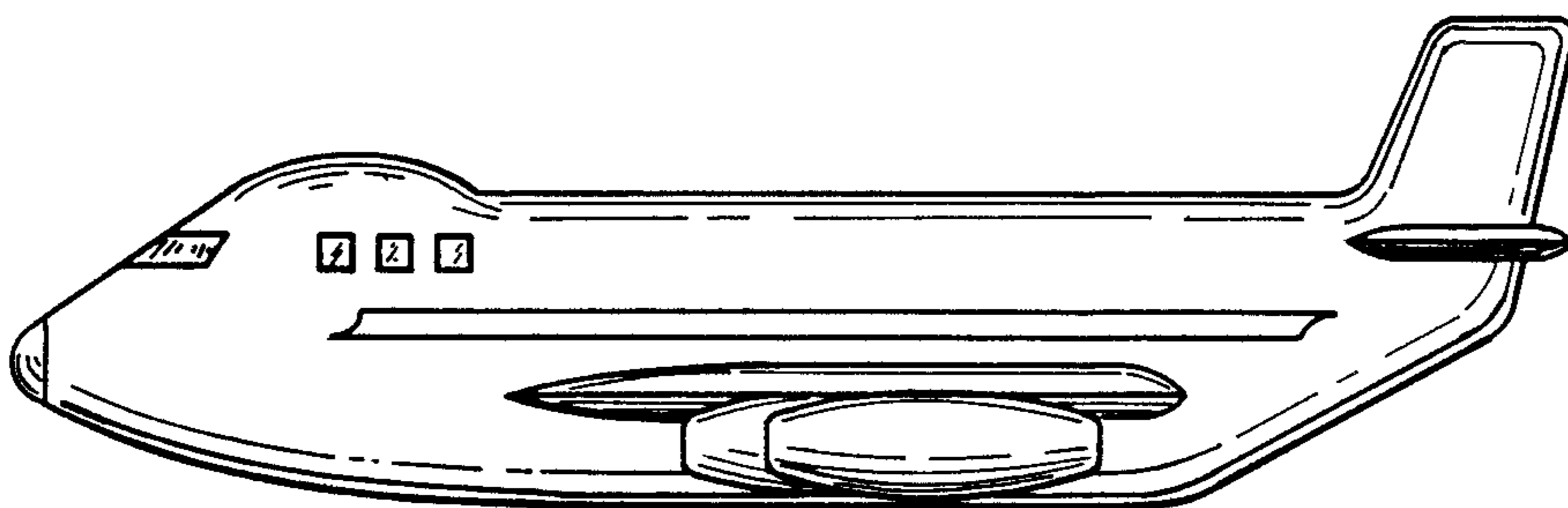


FIG. 2

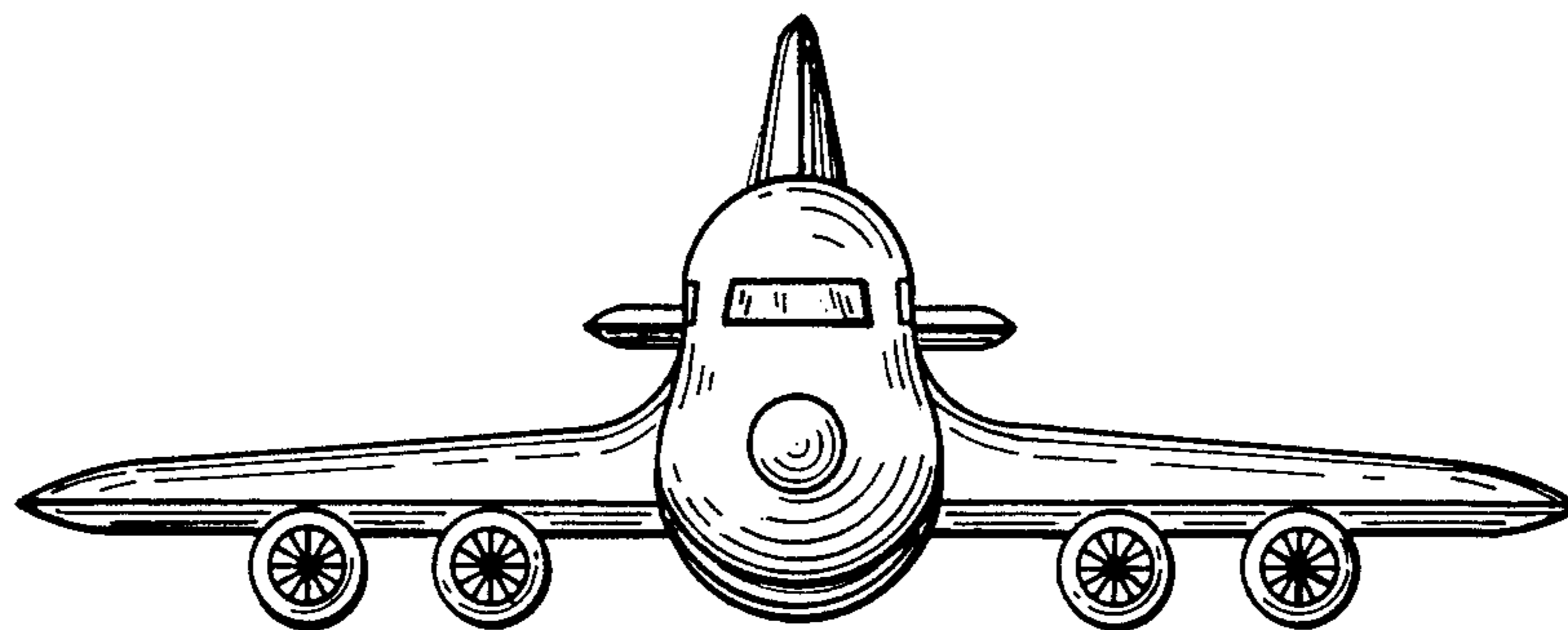


FIG. 3

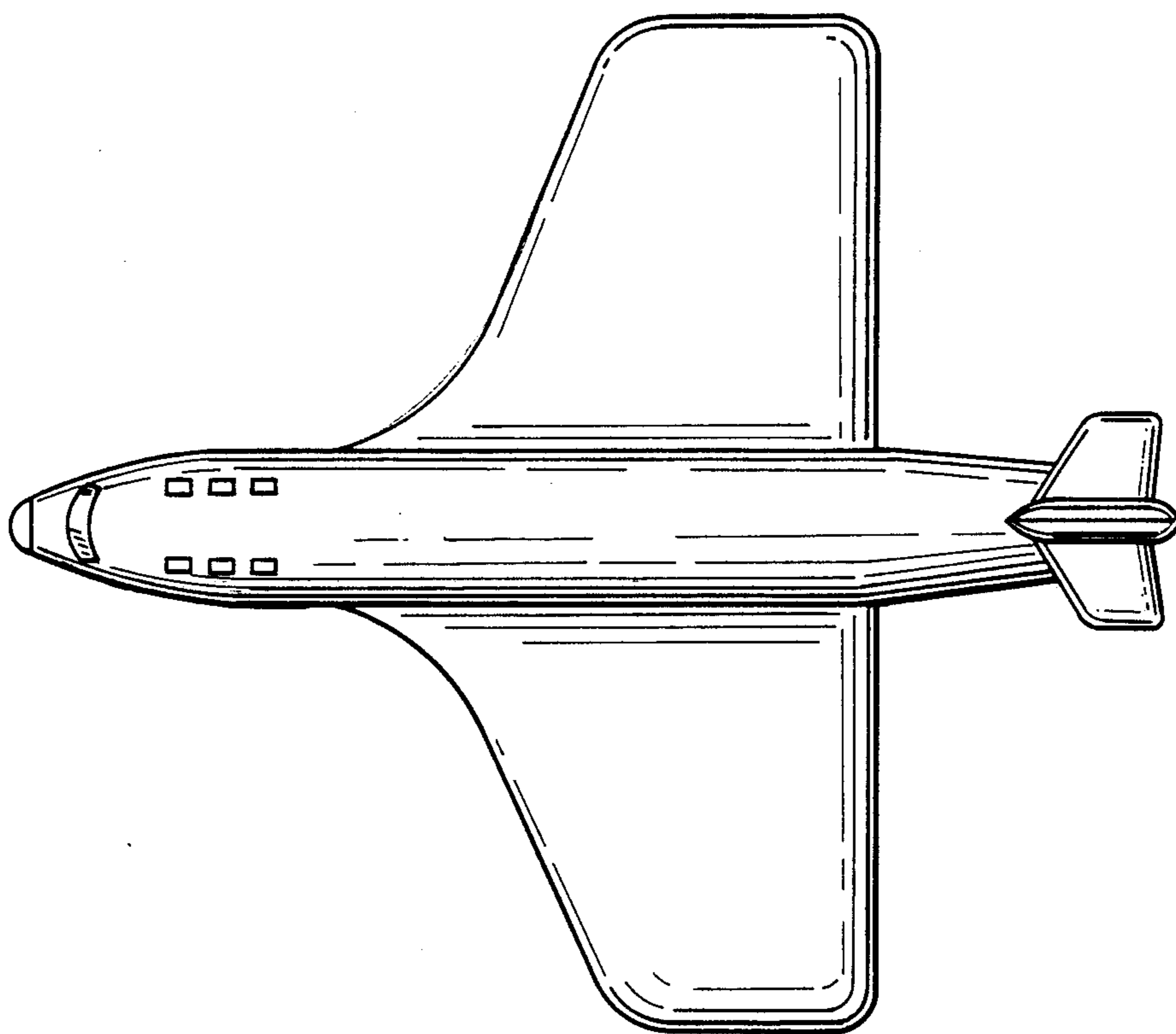


FIG. 4

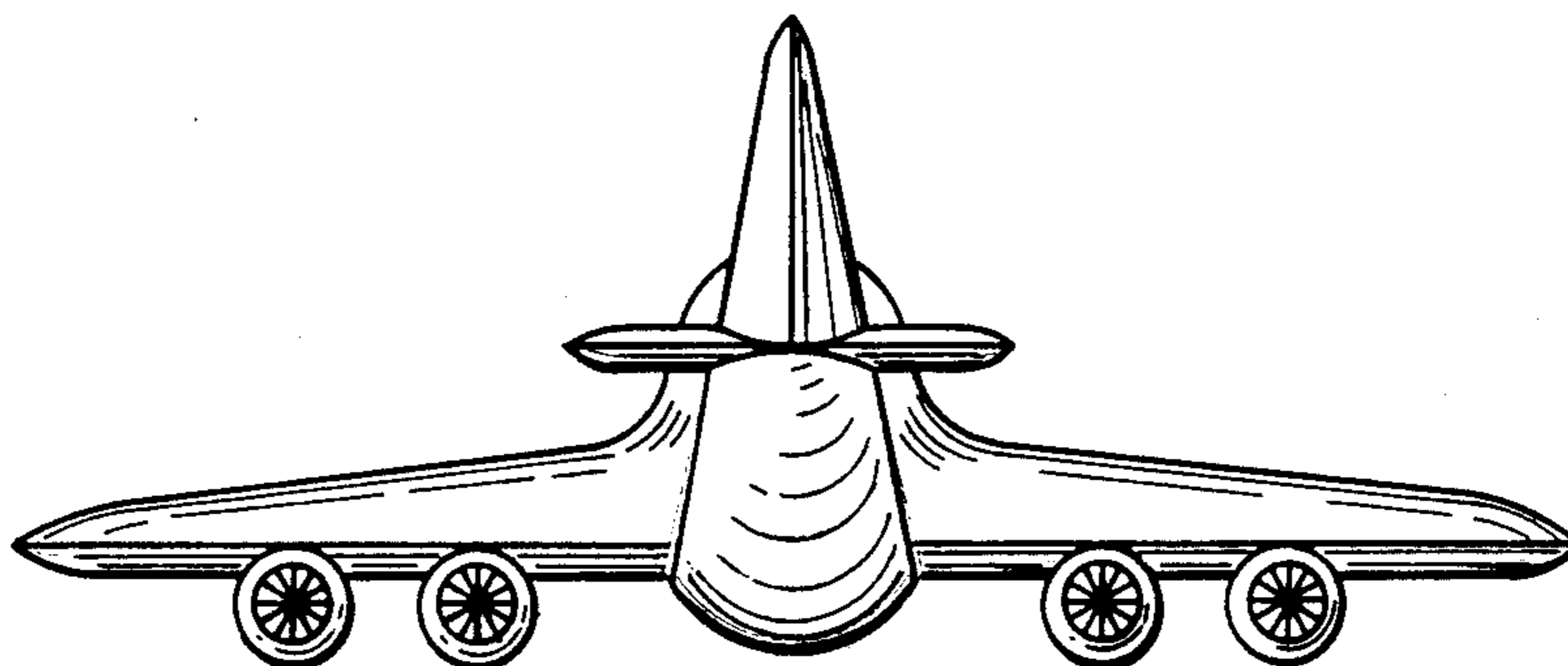


FIG. 5

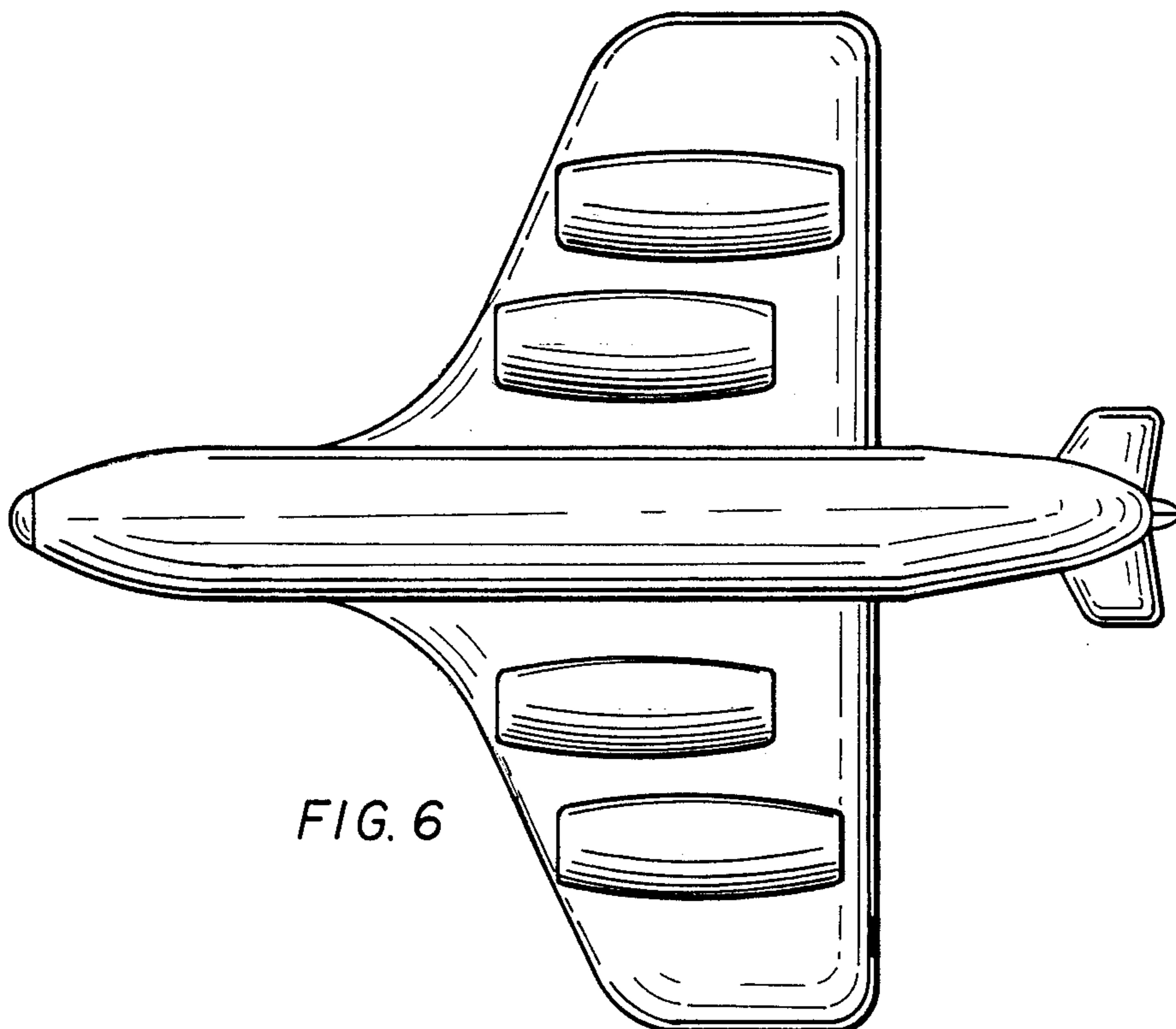


FIG. 6