

[54] WATER BALL GAME BASE

[75] Inventors: Mark W. Fuller, Studio City; Alan S. Robinson, El Monte; John Werner, Sunland, all of Calif.

[73] Assignee: WET Enterprises, Inc., Universal City, Calif.

[**] Term: 14 Years

[21] Appl. No.: 179,116

[22] Filed: Apr. 8, 1988

[52] U.S. Cl. D21/1; D21/199

[58] Field of Search D21/1, 200, 201, 199, D21/102; D23/214, 218; D14/231, 235; 273/349, 236, 260

[56]

References Cited

U.S. PATENT DOCUMENTS

D. 211,943	8/1968	Beinert	D23/214
D. 217,767	6/1970	Harness	D28/218
D. 303,292	9/1989	Poilane	D25/56
D. 305,766	1/1990	Tai	D14/235
4,526,366	7/1985	Kenoun	273/349

Primary Examiner—Melvin B. Feifer
Assistant Examiner—Philip Hyder

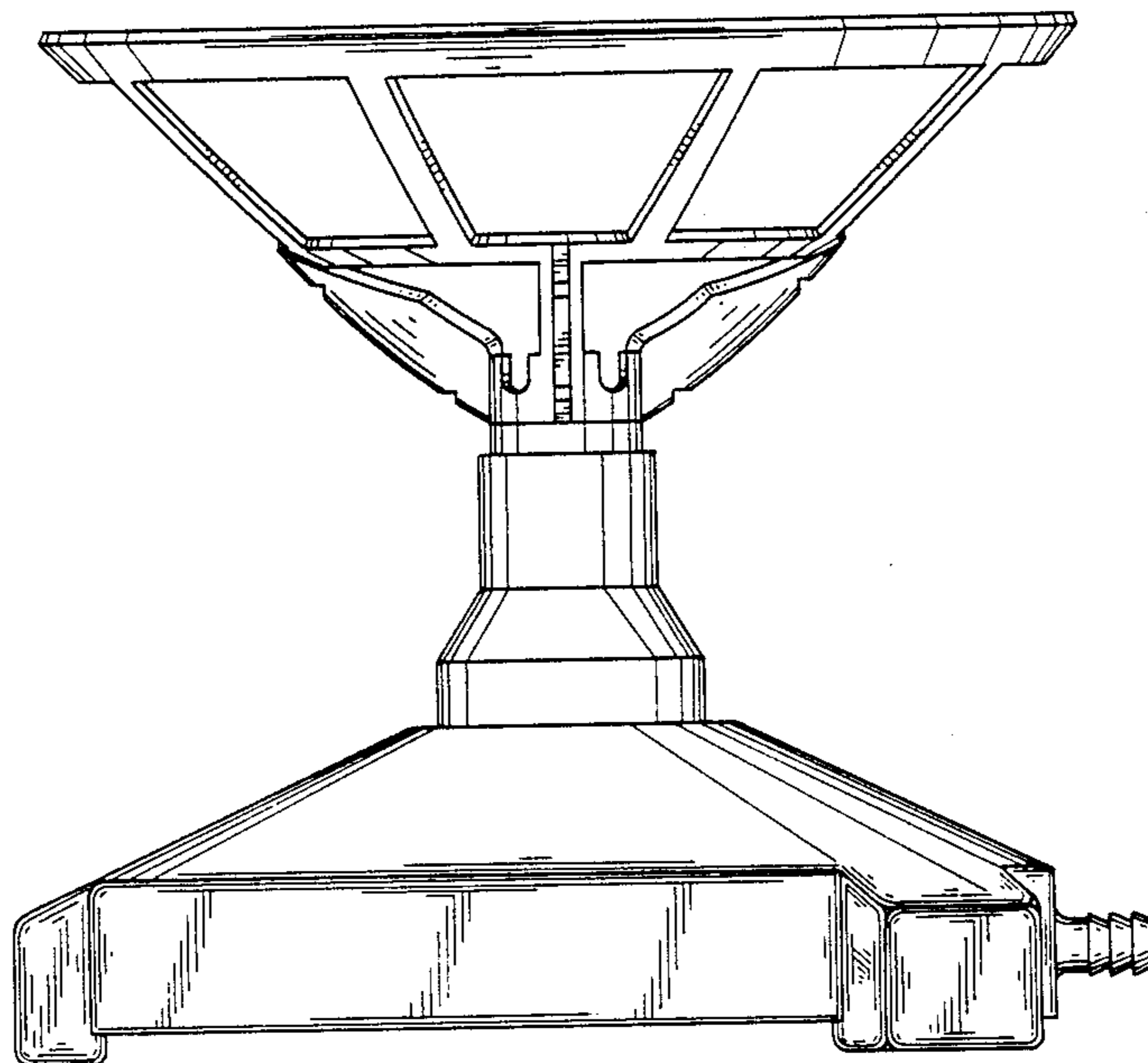
[57]

CLAIM

The ornamental design for a water ball game base, as shown.

DESCRIPTION

FIG. 1 is a top view of the water ball game base showing our new design;
FIG. 2 is a first side elevational view thereof;
FIG. 3 is a front elevational view thereof; and
FIG. 4 is a bottom view thereof.



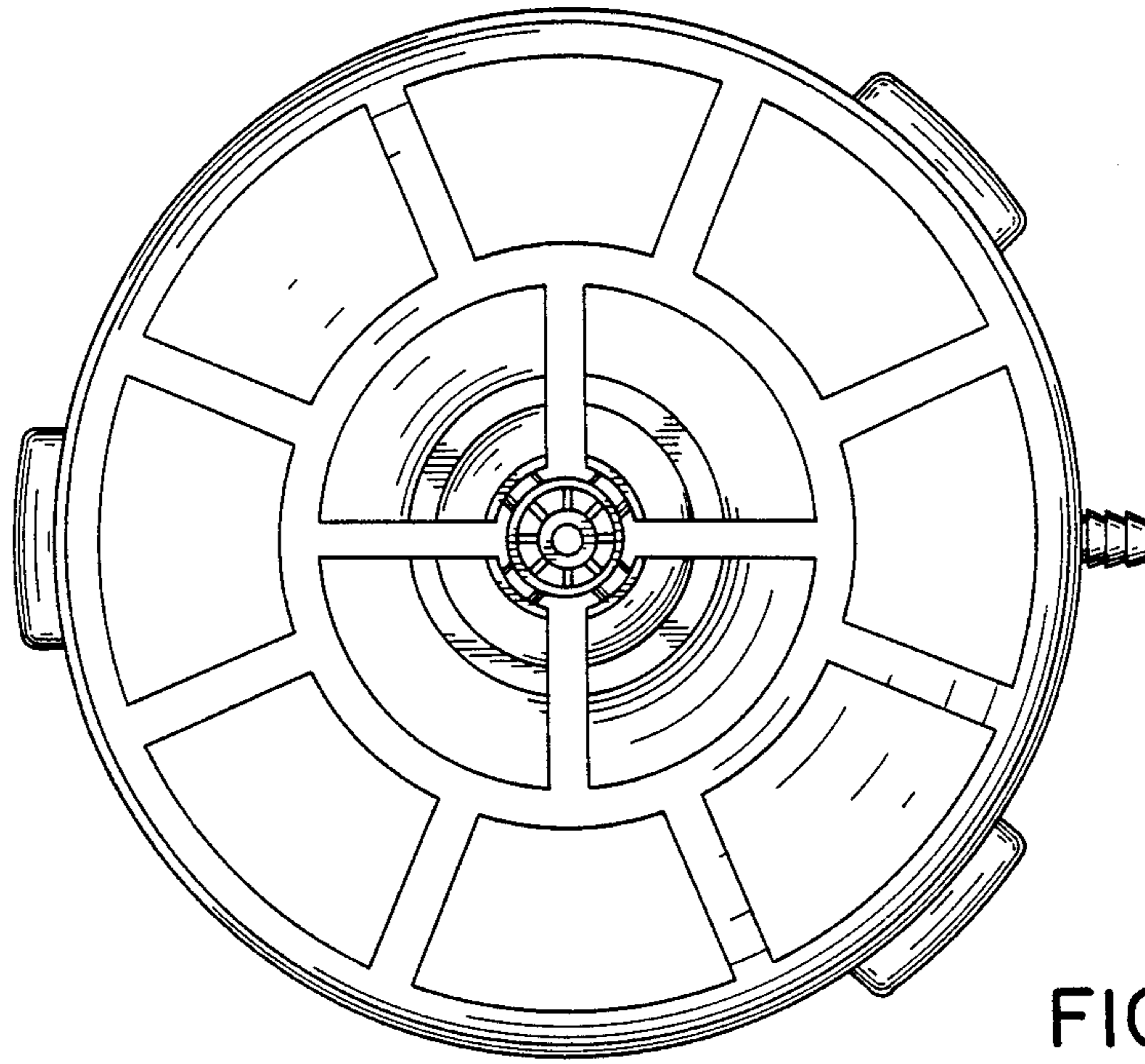


FIG. 1

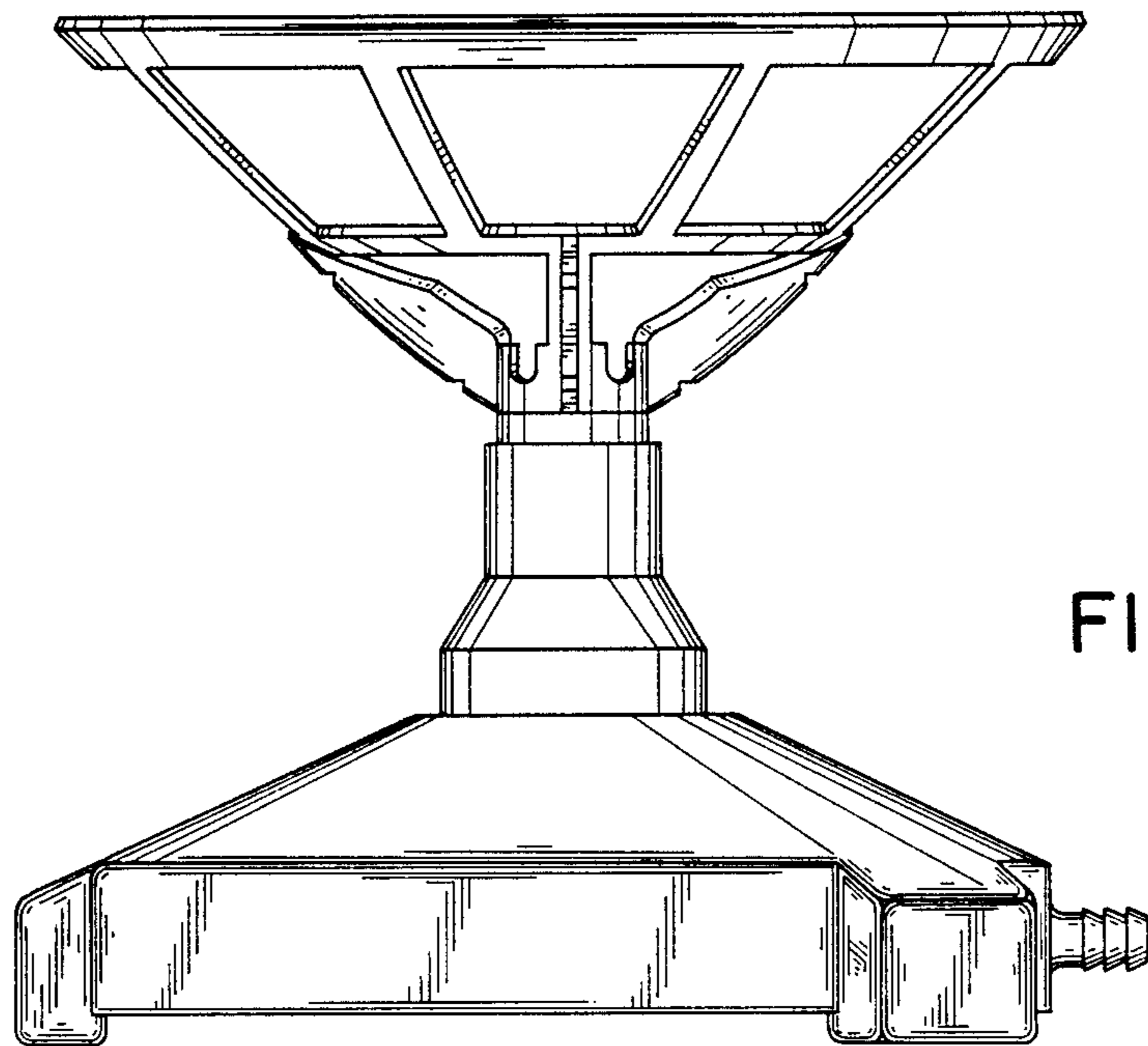


FIG. 2

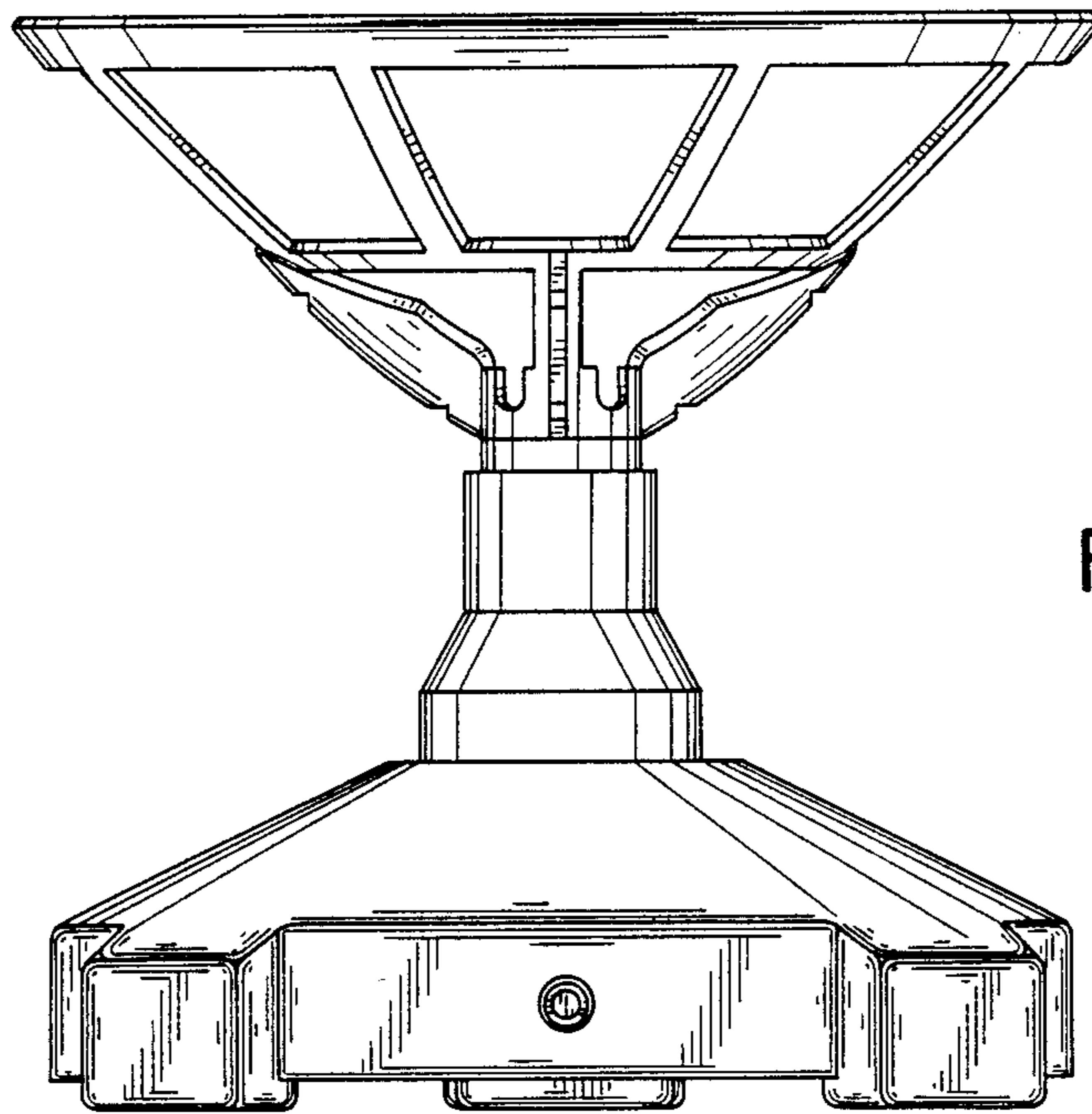


FIG. 3

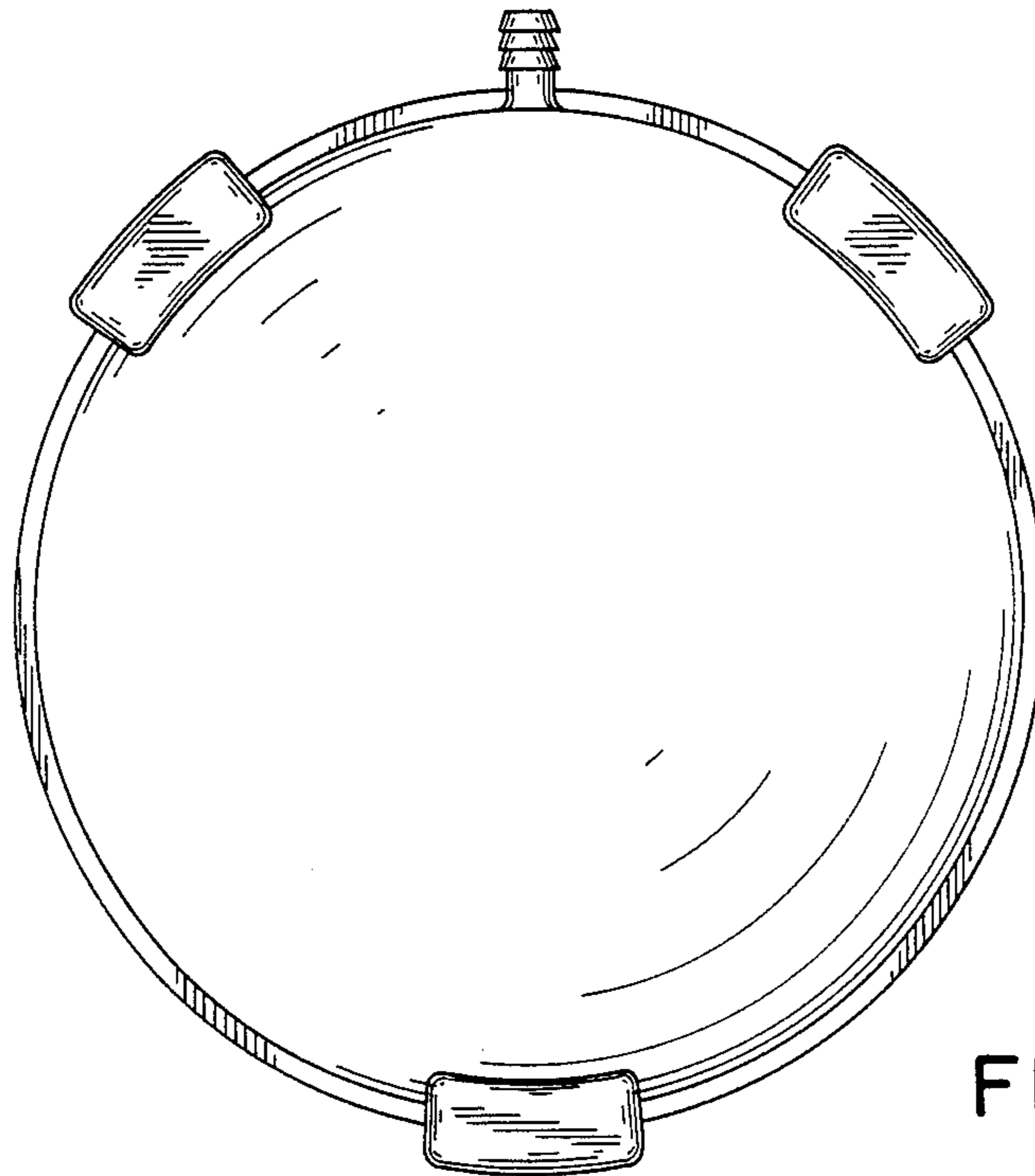


FIG. 4