

[54] SWIVEL CARD FILE

[75] Inventor: John Leszczak, Roselle Park, N.J.

[73] Assignee: The Bates Manufacturing Company, Hackettstown, N.J.

[\*\*] Term: 14 Years

[21] Appl. No.: 925,866

[22] Filed: Oct. 30, 1986

[52] U.S. Cl. .... D19/76; D19/90; D19/95

[58] Field of Search ..... D19/76, 86; 206/425; 40/404, 68, 68.6; 211/51, 126, 58

[56] References Cited

U.S. PATENT DOCUMENTS

- D. 247,042 1/1978 Neilsen et al. .... D19/76
- D. 248,962 8/1978 Glaubinger et al. .... D19/76
- D. 251,848 5/1979 Hollerith ..... D19/76

- D. 265,659 8/1982 Neilsen et al. .... D19/76
- D. 270,549 9/1983 Burton et al. .... D19/76

Primary Examiner—Bruce W. Dunkins  
Assistant Examiner—Martha Thompson  
Attorney, Agent, or Firm—Weingram & Zall

[57] CLAIM

The ornamental design for a swivel card file, as shown and described.

DESCRIPTION

FIG. 1 is a perspective view of a swivel card file showing my new design;  
FIG. 2 is a left side elevational view;  
FIG. 3 is a top plan view;  
FIG. 4 is a front elevational view;  
FIG. 5 is a rear elevational view; and  
FIG. 6 is a bottom plan view thereof.  
The design is characterized by the combination on the swivel card file disclosed and is comprised of the file unit in association with the pencil holder and the base member, all as best illustrated in FIGS. 1 and 2.

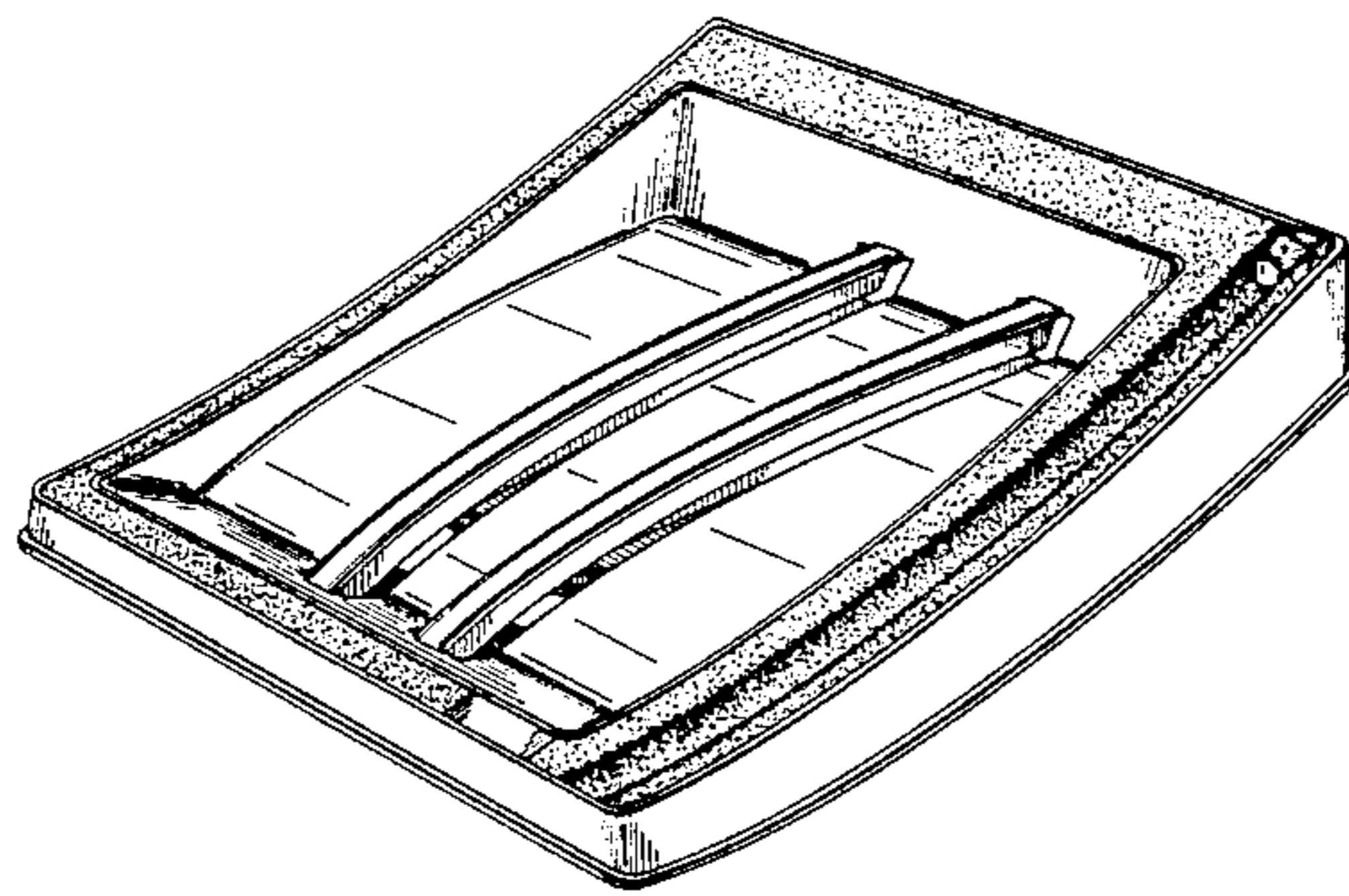


FIG-1

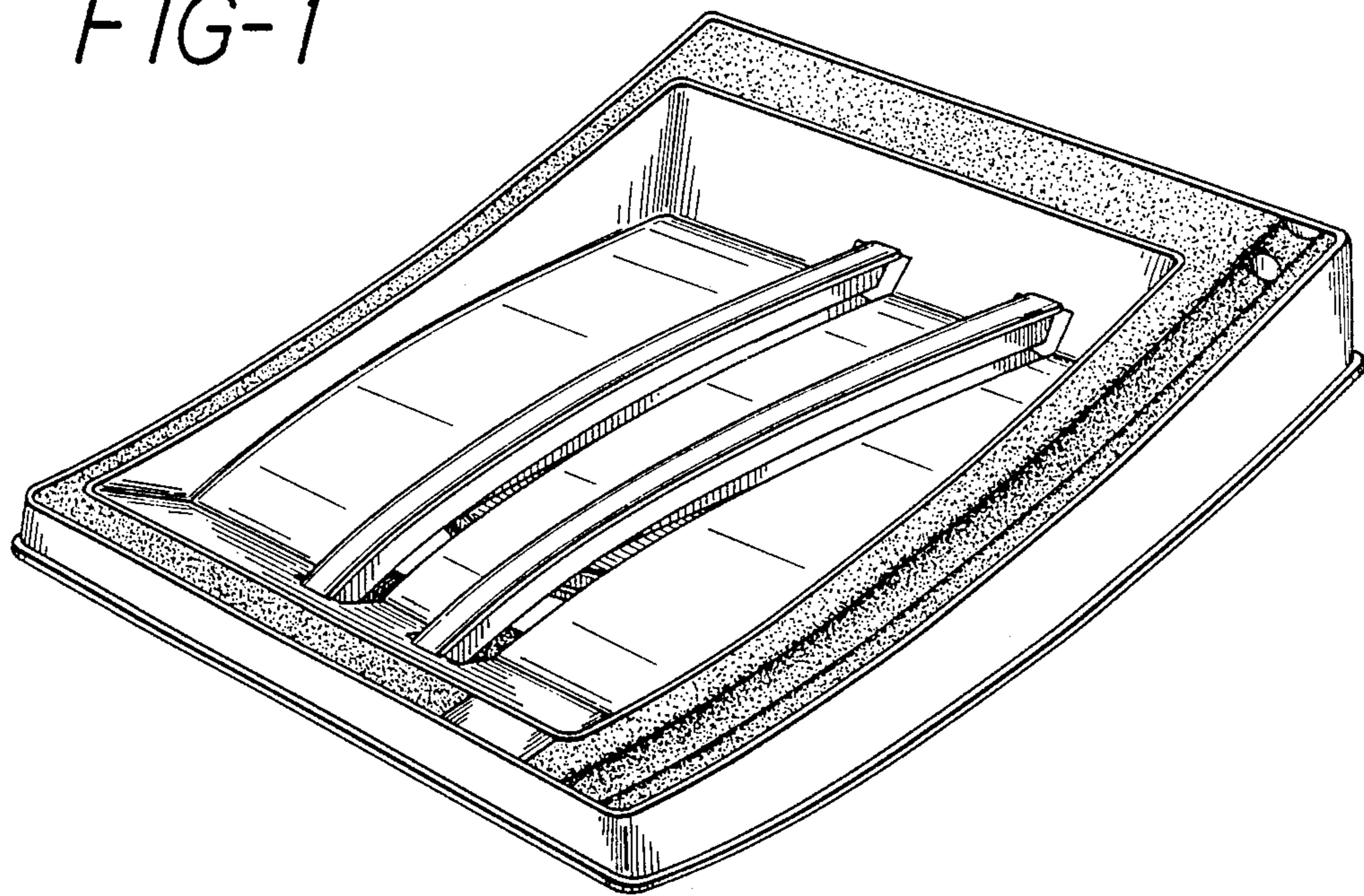


FIG-2

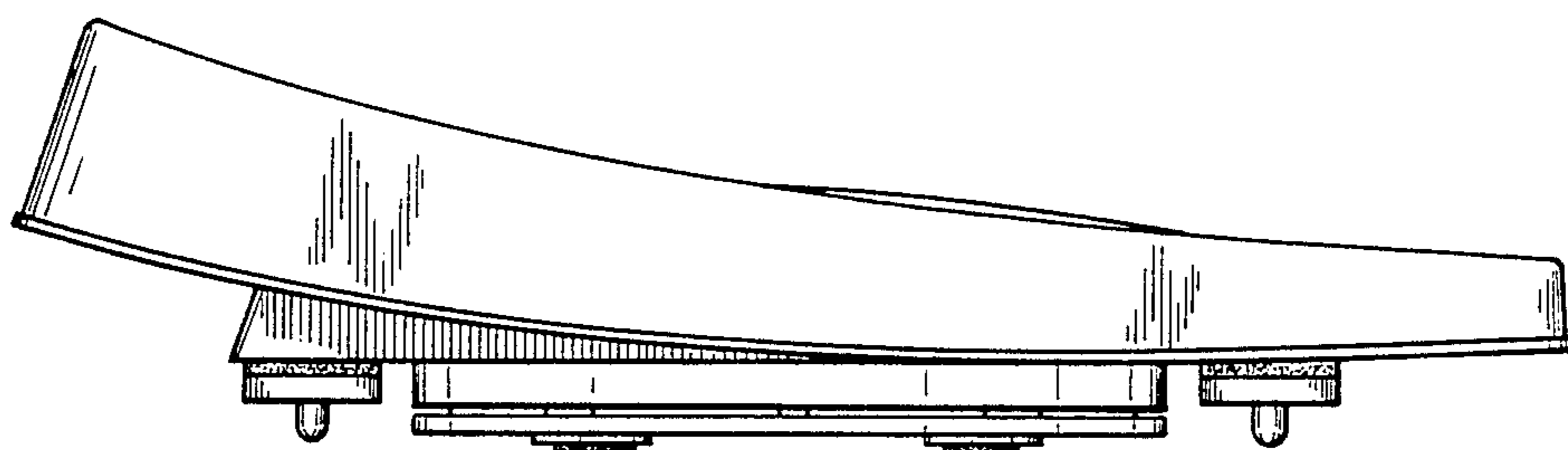


FIG-3

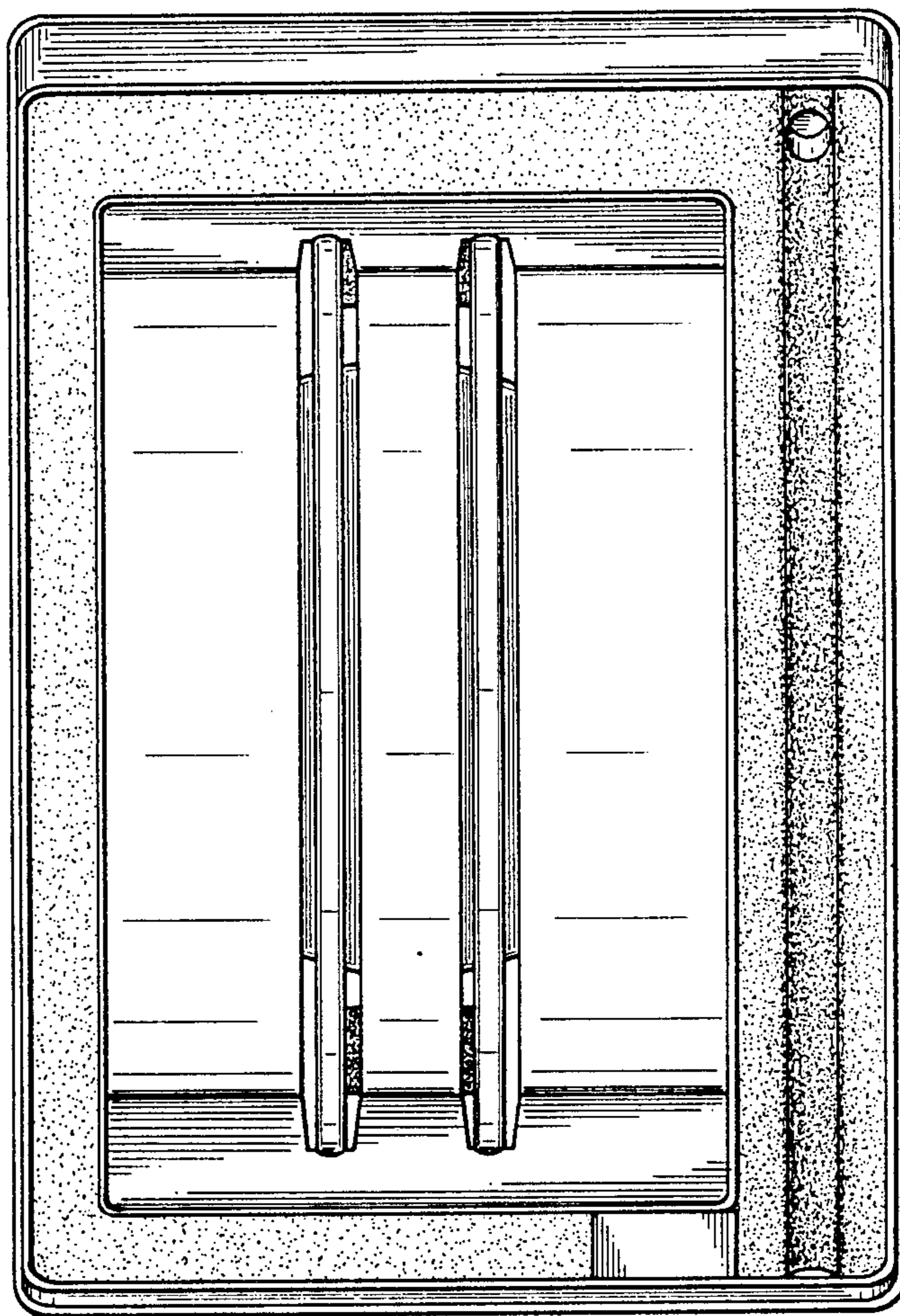


FIG-4

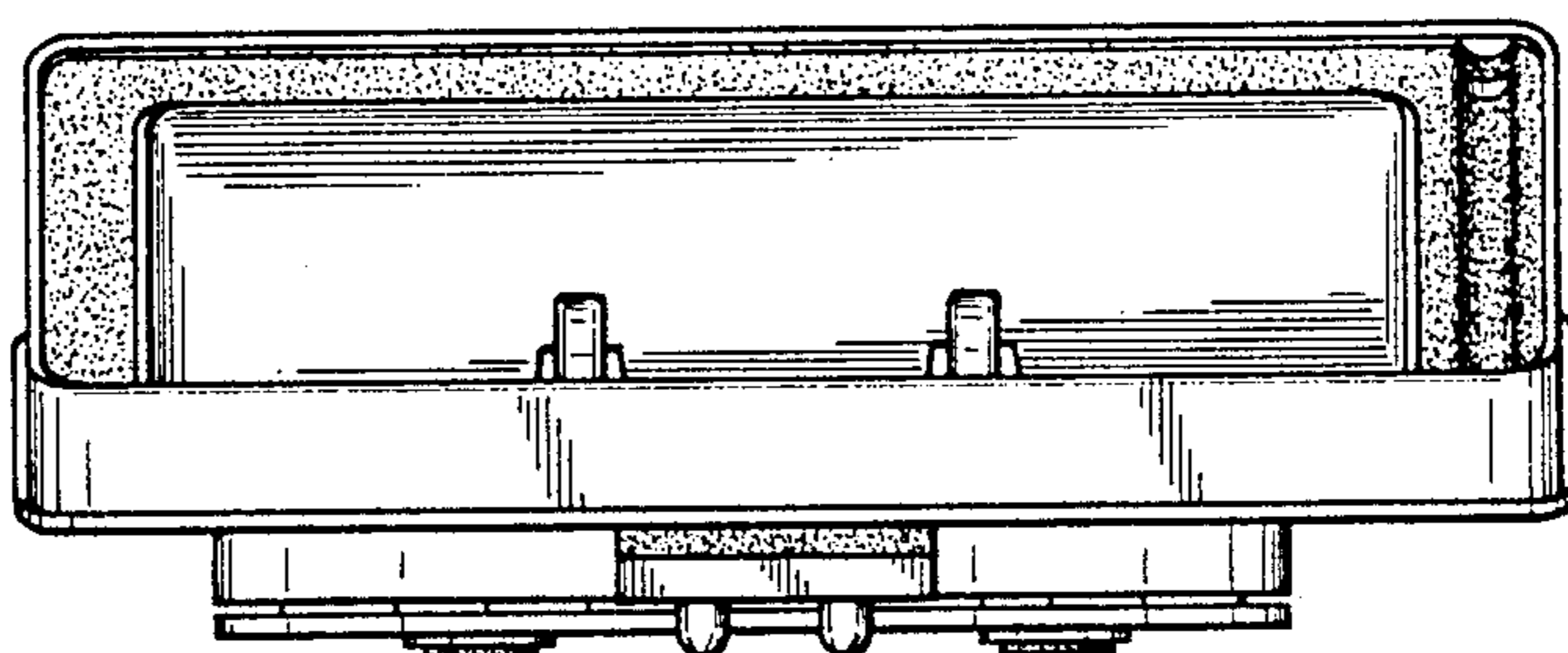


FIG-5

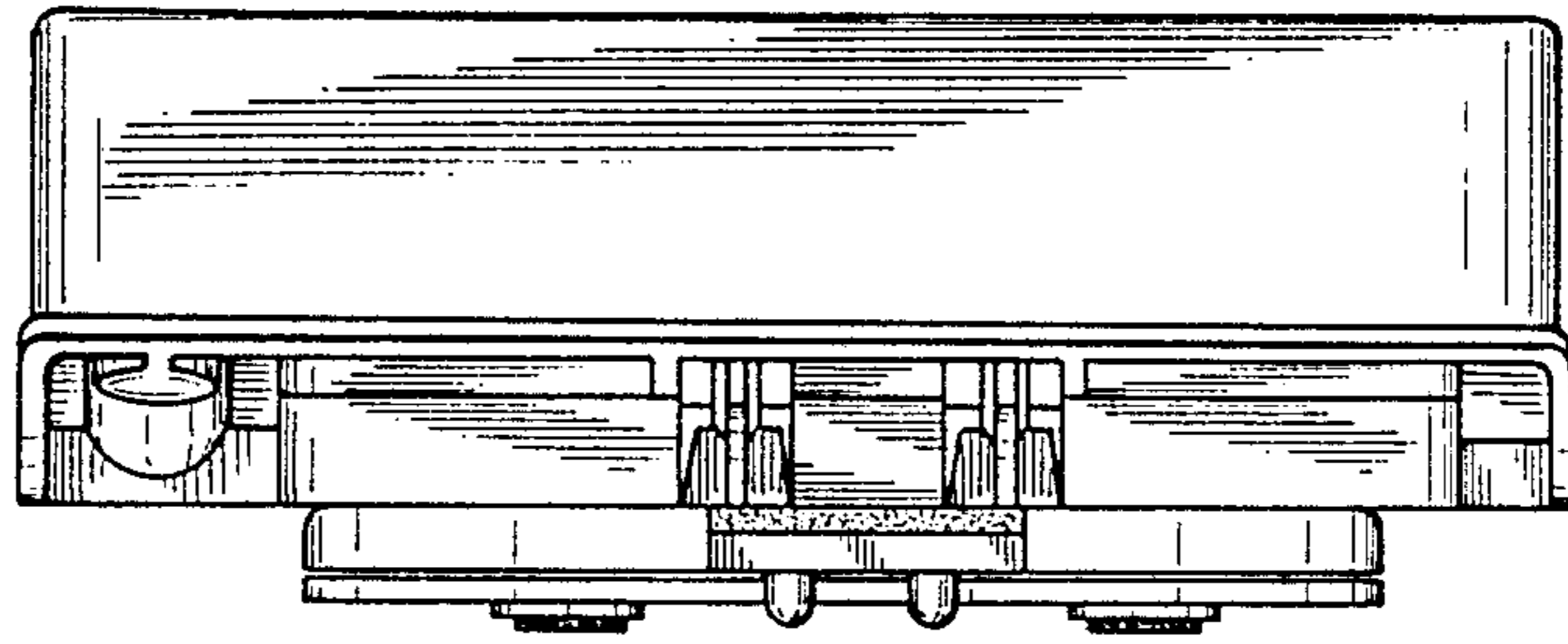


FIG-6

