

[54] ENVELOPE

[76] Inventor: Alfred W. Huber, 212 Pleasantview Ave., P.O. Box 278, Schwenksville, Pa. 19473

[**] Term: 14 Years

[21] Appl. No.: 83,101

[22] Filed: Aug. 10, 1987

[52] U.S. Cl. D19/3

[58] Field of Search D19/1, 2, 3, 4; 229/68 R, 71, 72, 73, 92.5, 80, 81; 206/620; 281/19.1, 16, 17; 282/25

[56] References Cited

U.S. PATENT DOCUMENTS

975,627	11/1910	McCloy	229/72
3,142,437	7/1964	Grant et al.	229/68 R
3,459,361	8/1969	Matson	229/72
3,540,646	11/1970	Kizler	229/72
3,979,051	9/1976	Close	229/72

Primary Examiner—Wallace R. Burke

Assistant Examiner—Pamela J. Schmidt
Attorney, Agent, or Firm—Joseph W. Molasky & Assocs.

[57] CLAIM

The ornamental design for an envelope, as shown.

DESCRIPTION

FIG. 1 is a top perspective view of an envelope showing my new design;

FIG. 2 is a top elevational view thereof;

FIG. 3 is a bottom elevational view thereof;

FIG. 4 is a right side elevational view thereof;

FIG. 5 is a left side elevational view thereof;

FIG. 6 is a bottom plan view thereof;

FIG. 7 is a top perspective view of a second embodiment of the envelope shown in FIG. 1 wherein the broken lines represent conventional stitching;

FIG. 8 is a top elevational view thereof;

FIG. 9 is a bottom elevational view thereof;

FIG. 10 is a right side elevational view thereof;

FIG. 11 is a left side elevational view thereof; and

FIG. 12 is a bottom plan view thereof.

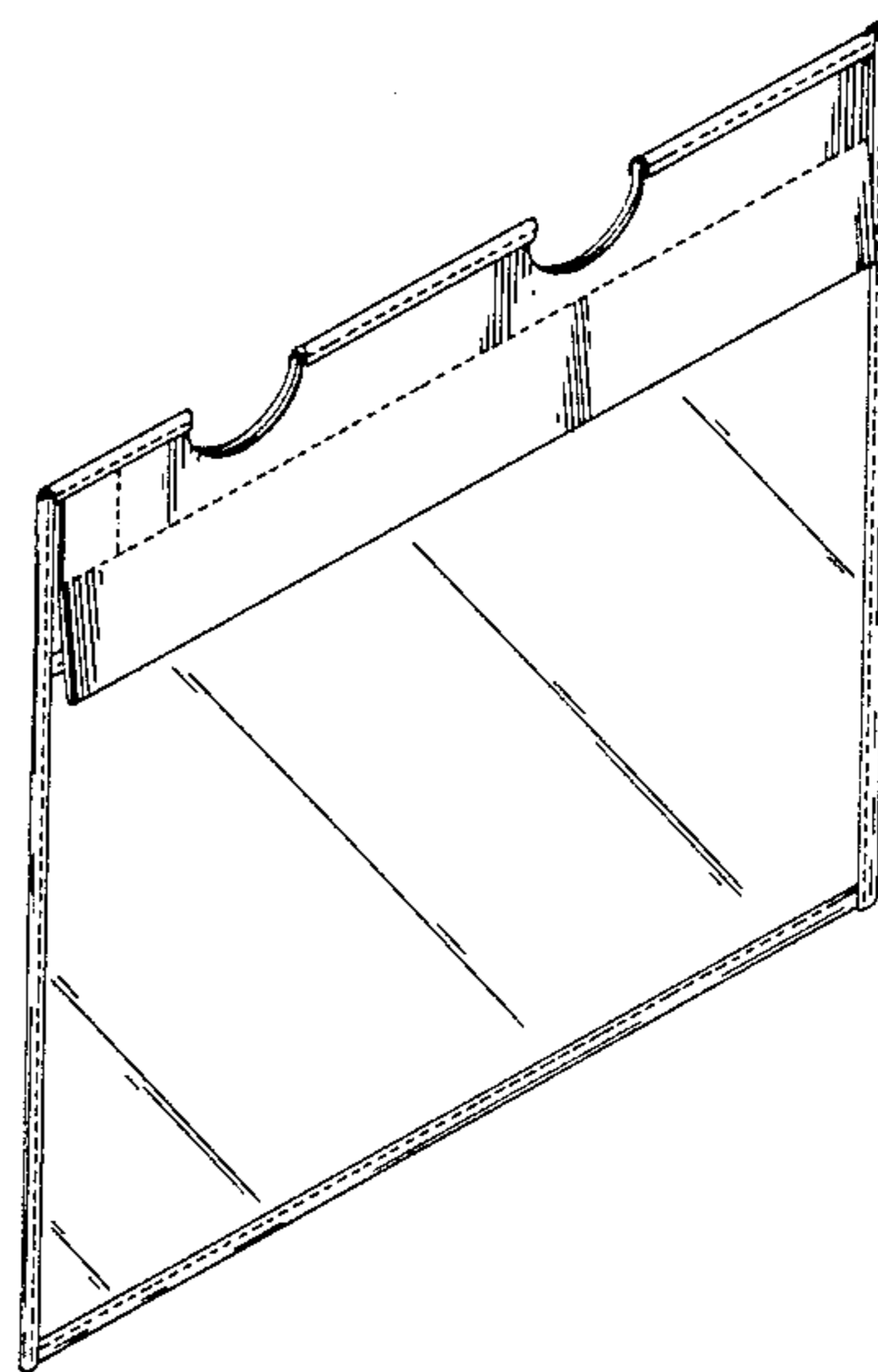
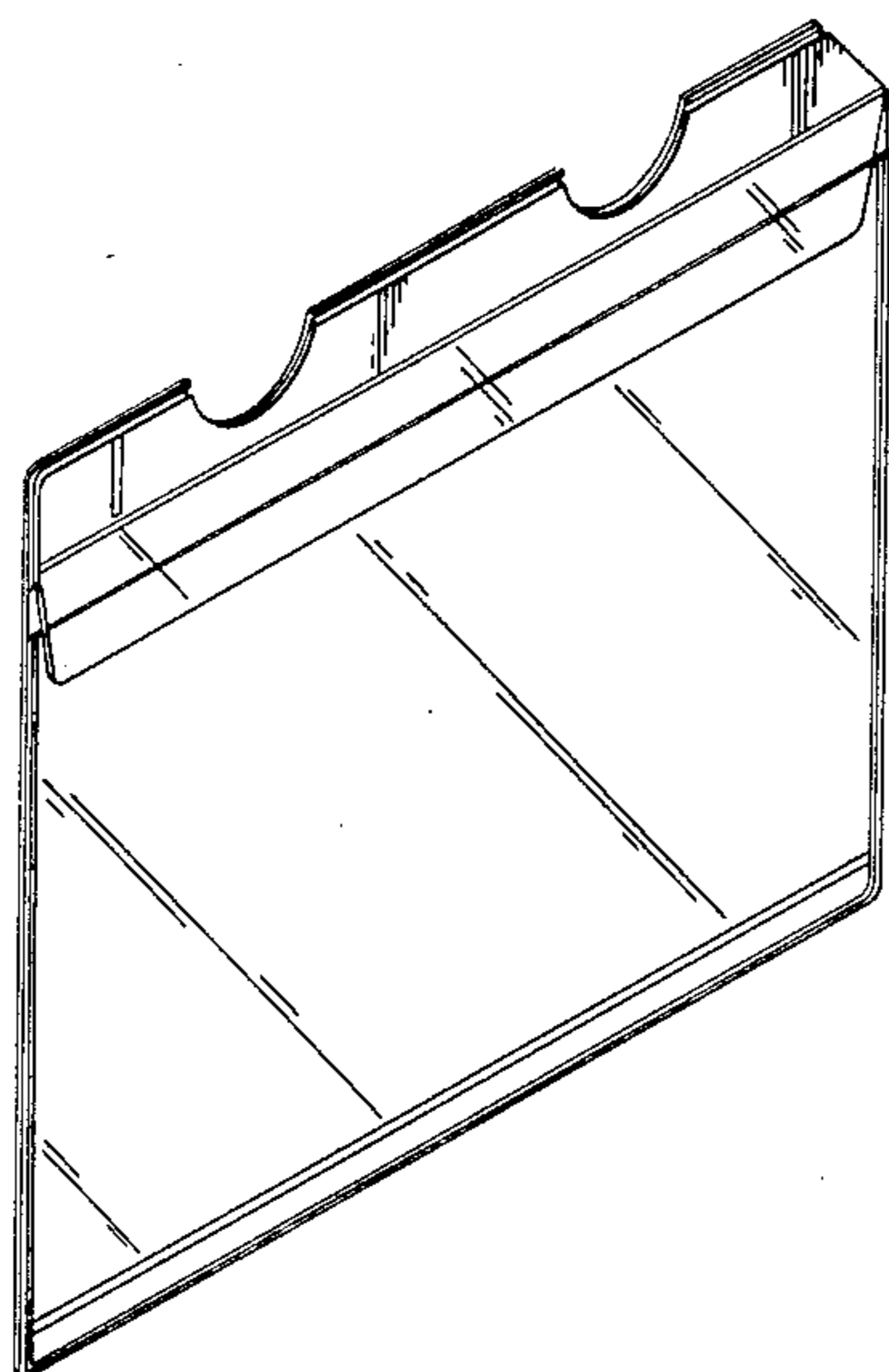


FIG. 1

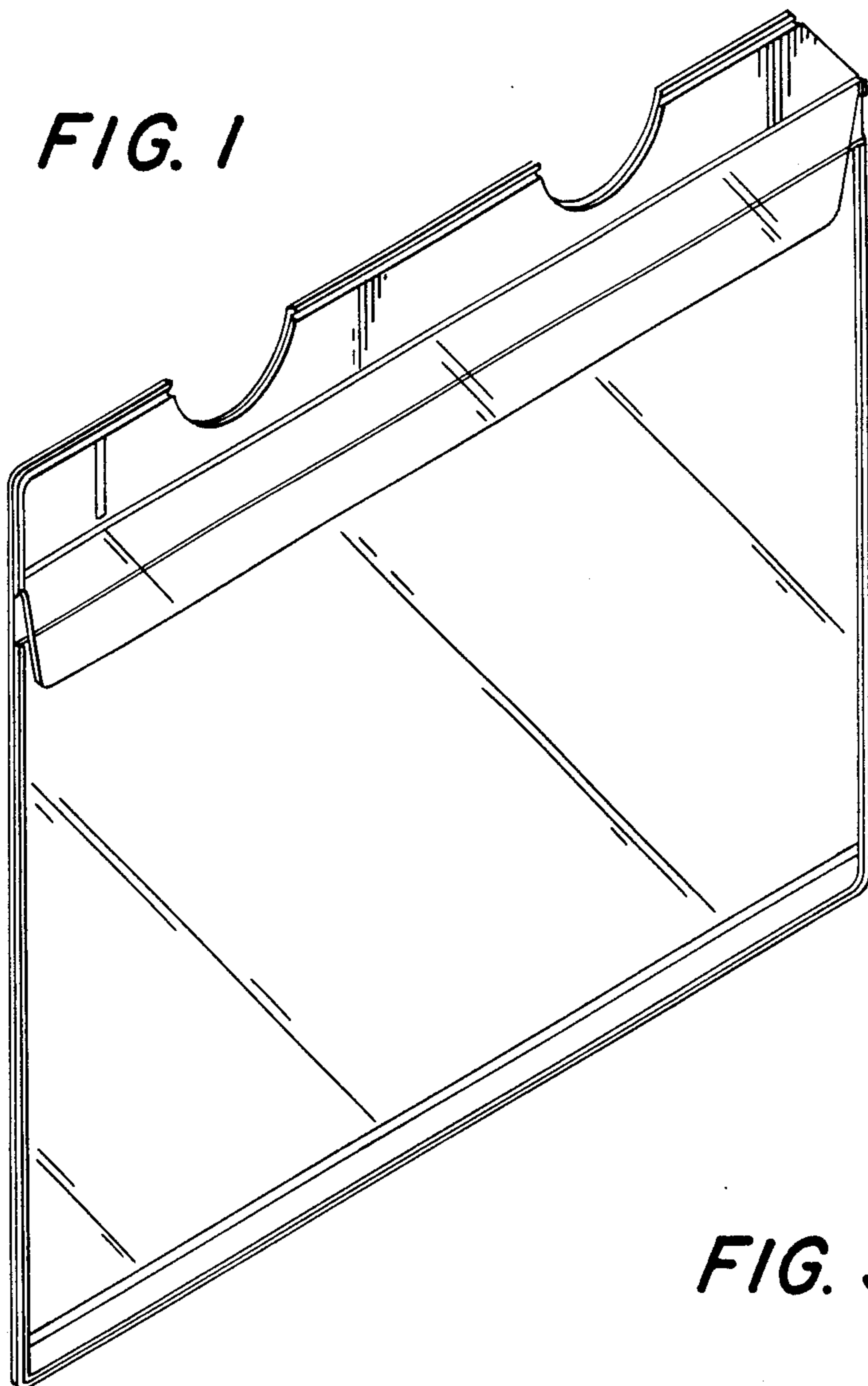


FIG. 5

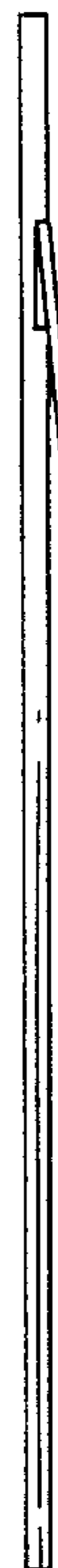
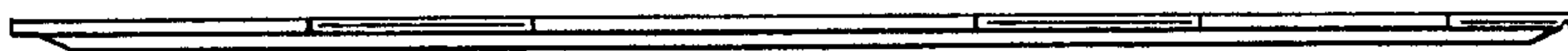


FIG. 2



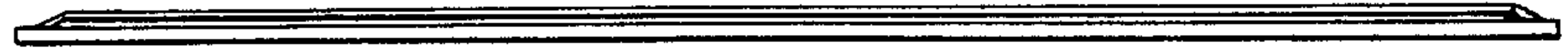


FIG. 3

FIG. 4

FIG. 6

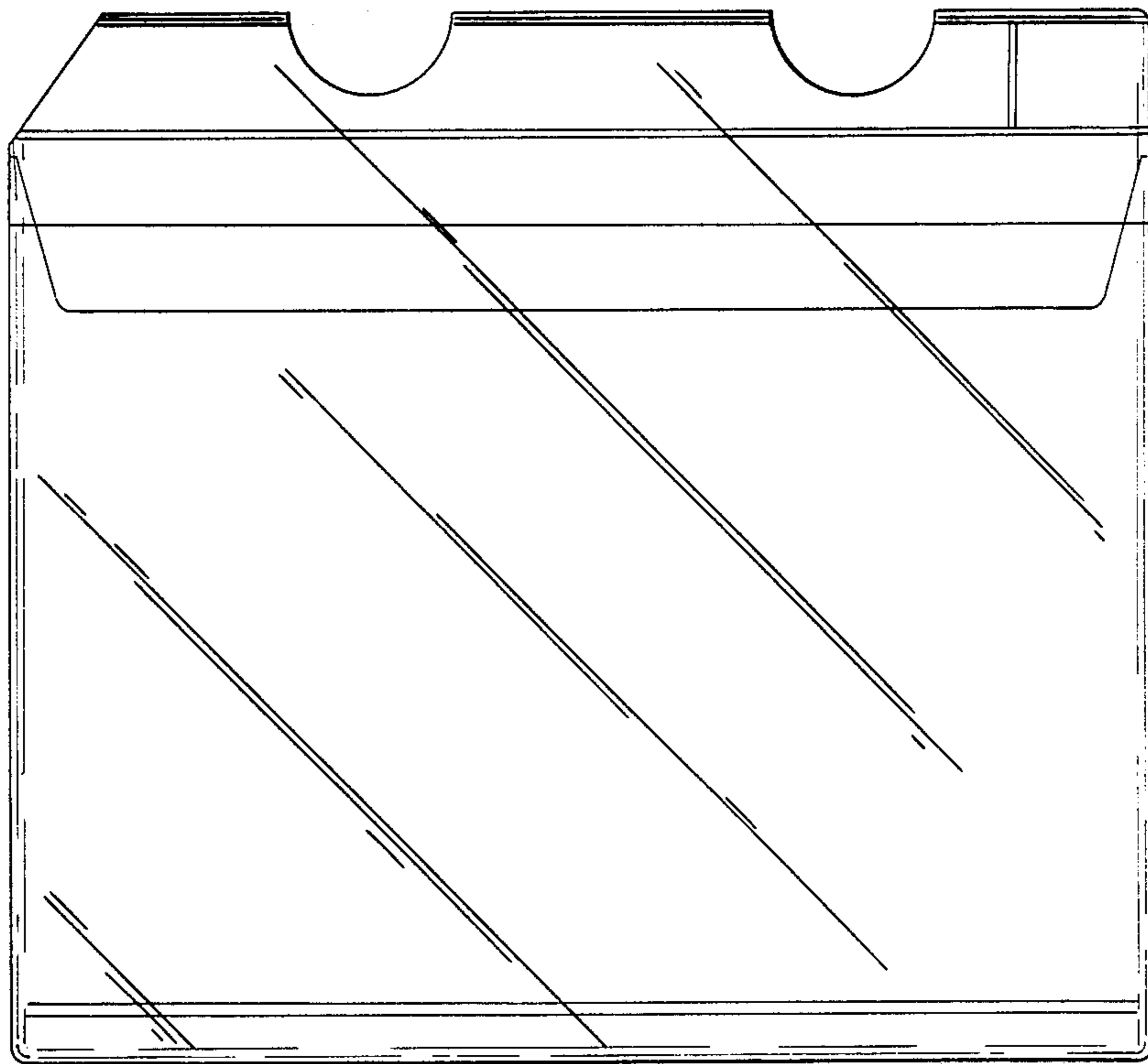


FIG. 7

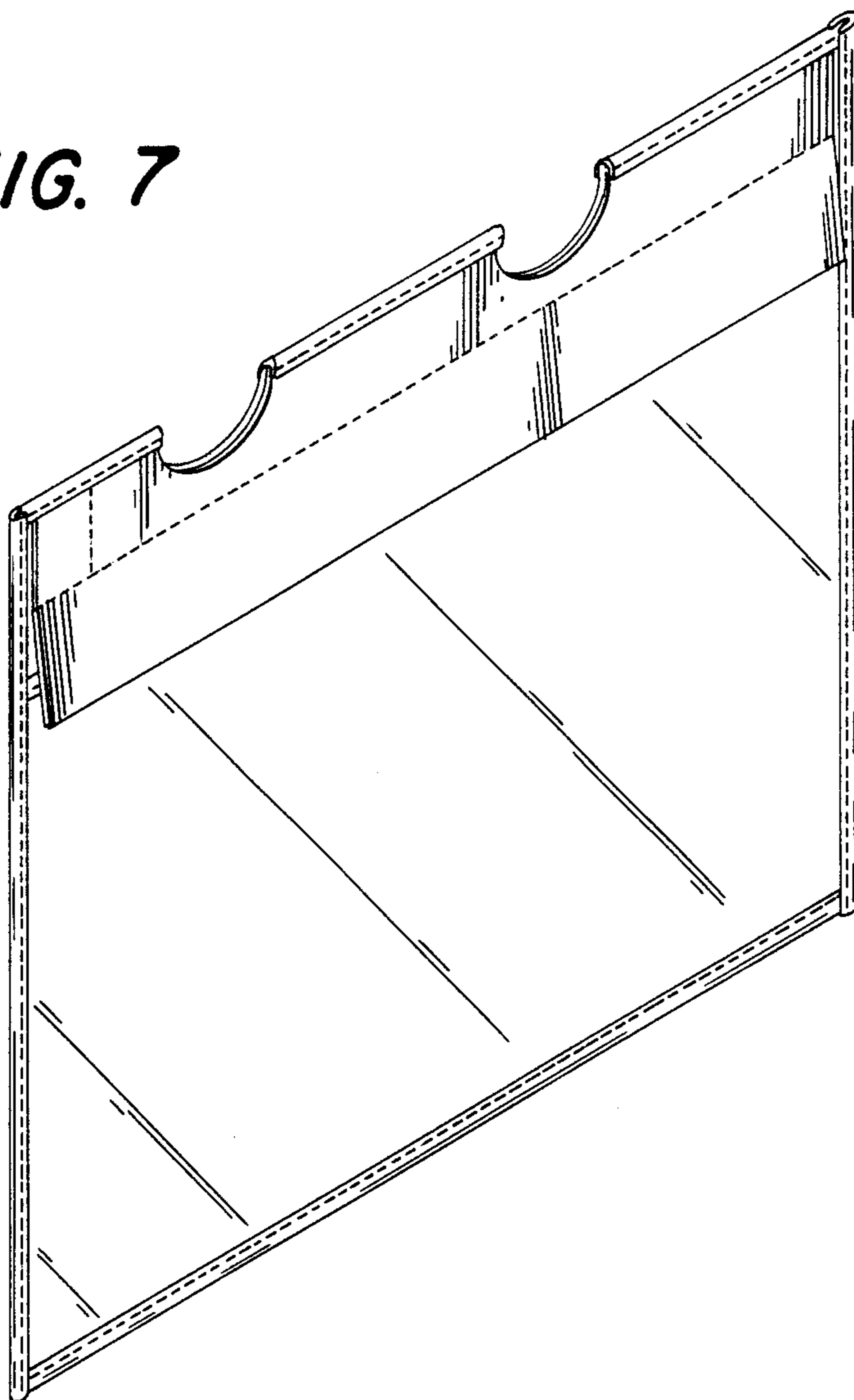
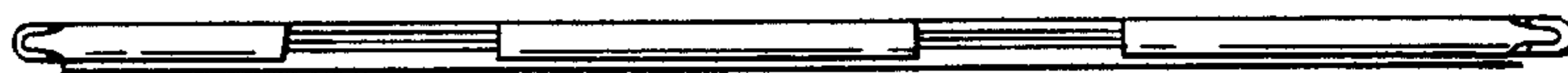


FIG. 8



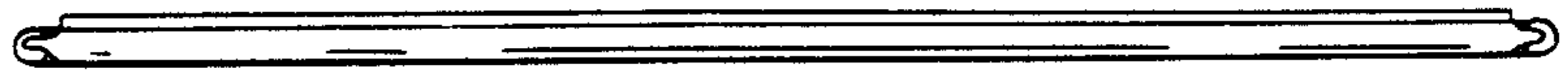


FIG. 9

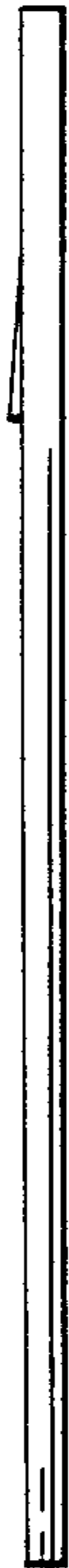


FIG. 10



FIG. 11

FIG. 12

