

United States Patent [19]

Fukuda et al.

[11] Patent Number: **Des. 312,652**

[45] Date of Patent: **** Dec. 4, 1990**

[54] **COPYING MACHINE**

[75] Inventors: **Hiroshi Fukuda; Masahiro Fukuda,**
both of Tokyo, Japan

[73] Assignee: **Fuji Photo Film Co., Ltd., Kanagawa,**
Japan

[**] Term: **14 Years**

[21] Appl. No.: **251,575**

[22] Filed: **Sep. 30, 1988**

[30] **Foreign Application Priority Data**

Apr. 20, 1988 [JP] Japan 63-16024

[52] U.S. Cl. **D18/36**

[58] Field of Search D18/13, 36-40;
D14/107, 111, 114; 355/200, 210, 233, 234

[56] **References Cited**

U.S. PATENT DOCUMENTS

D. 186,474 10/1959 Robbins D18/39

D. 240,162 6/1976 Matwey D18/36

D. 254,310 2/1980 Zick D18/36

D. 283,136 3/1986 Serbinski D18/36

D. 293,578 1/1988 Matsumoto et al. D14/111

Primary Examiner—Nelson C. Holtje
Assistant Examiner—Caron D. Veynar
Attorney, Agent, or Firm—Young & Thompson

[57] **CLAIM**

The ornamental design for a copying machine, as shown and described.

DESCRIPTION

FIG. 1 is a right, front perspective view of a copying machine showing our new design, with the paper guide in the open position;

FIG. 2 is a front elevational view thereof;

FIG. 3 is a rear elevational view thereof;

FIG. 4 is a top plan view thereof;

FIG. 5 is a bottom plan view thereof;

FIG. 6 is a left side elevational view thereof;

FIG. 7 is a right side elevational view thereof;

FIG. 8 is a right, front perspective view thereof, the paper guide in the closed position.

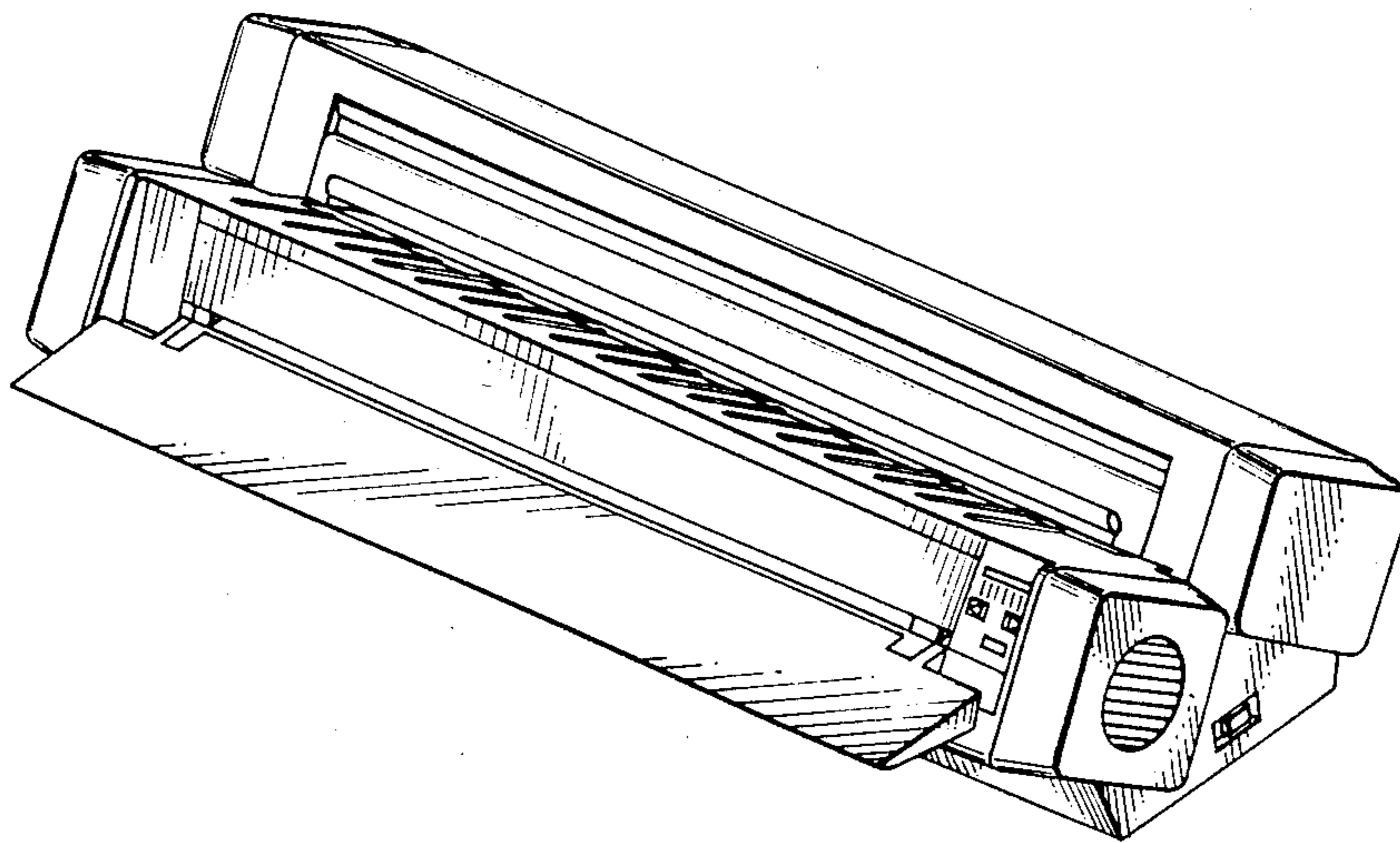


FIG. 1

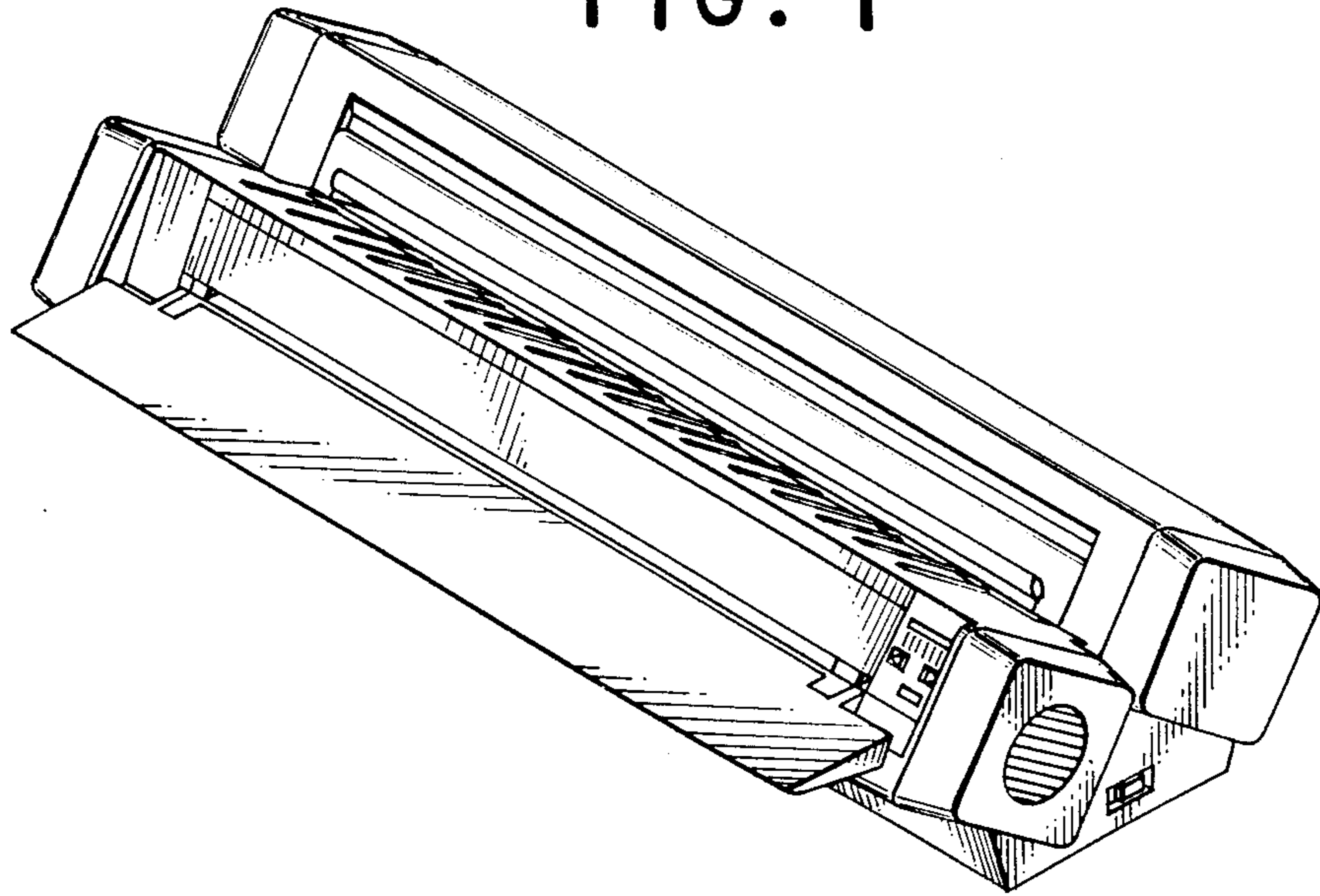


FIG. 2

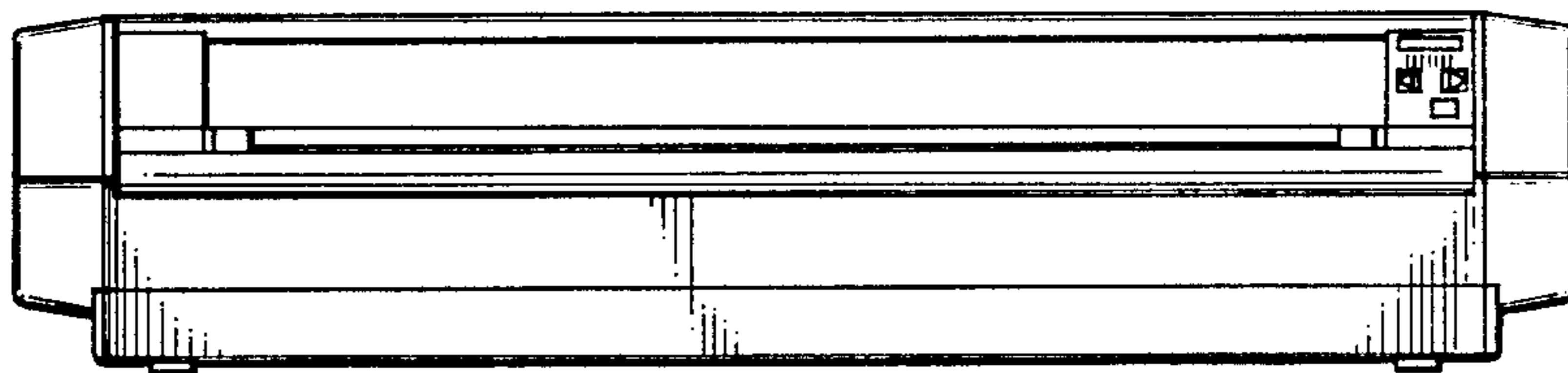


FIG. 3

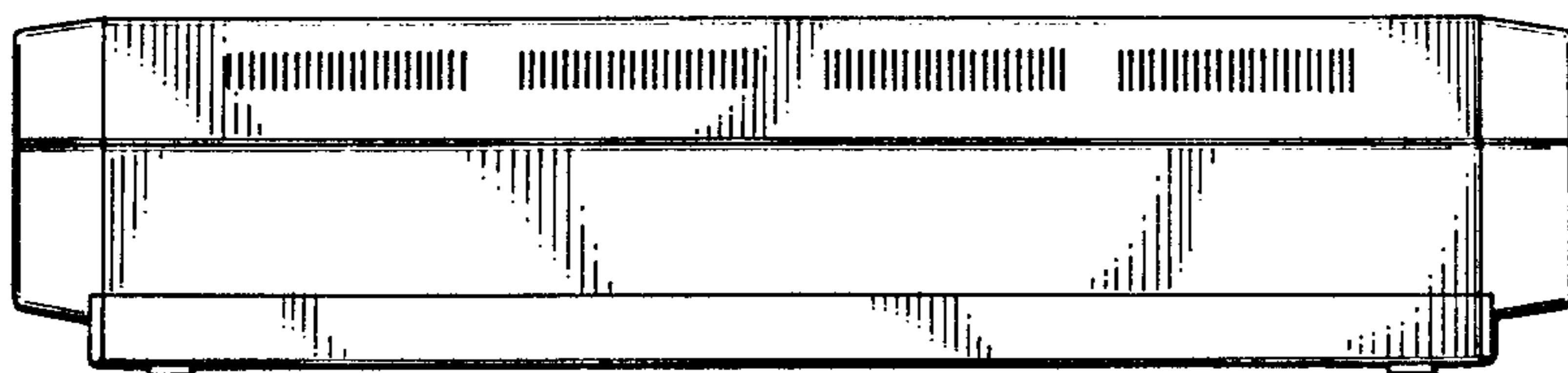


FIG. 4

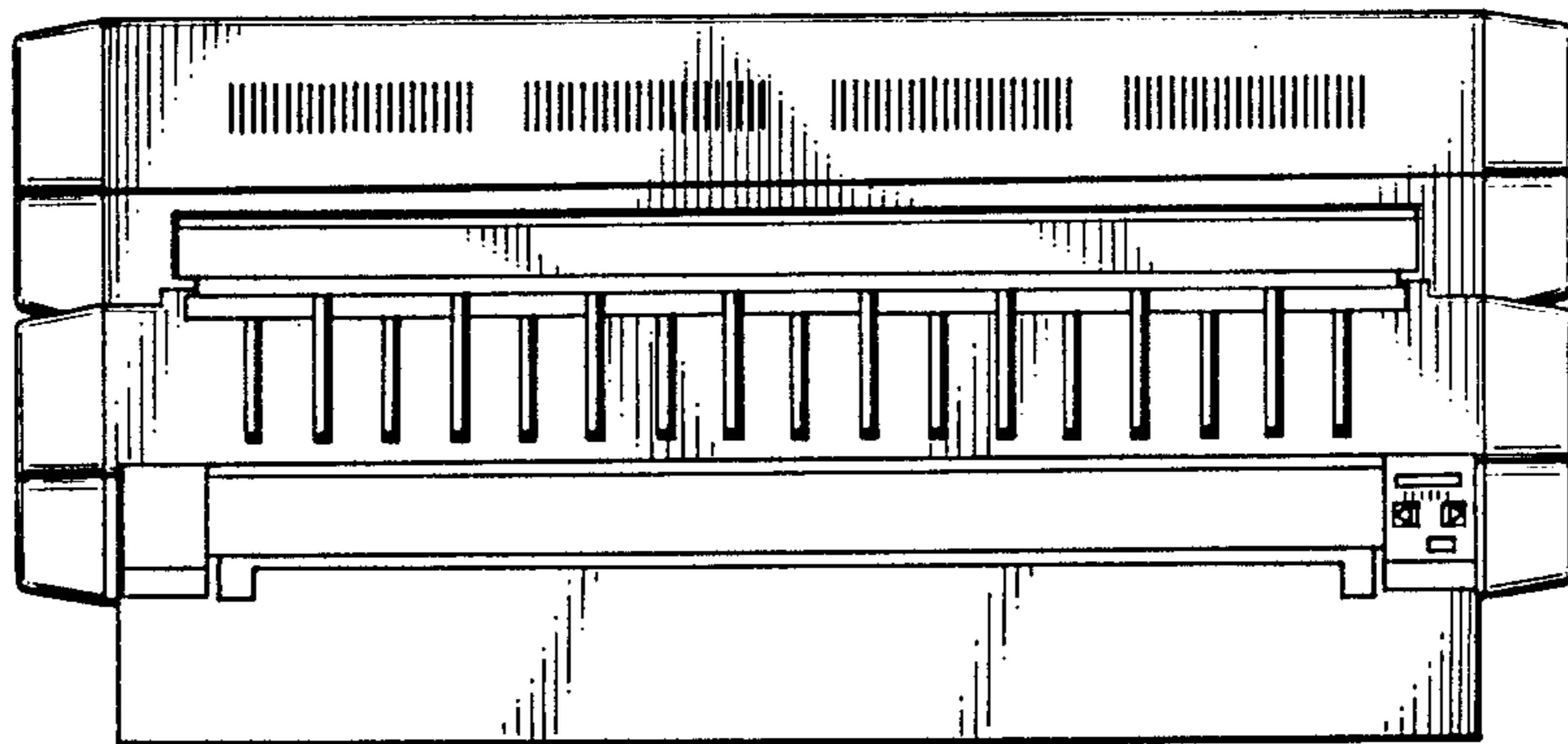


FIG. 5

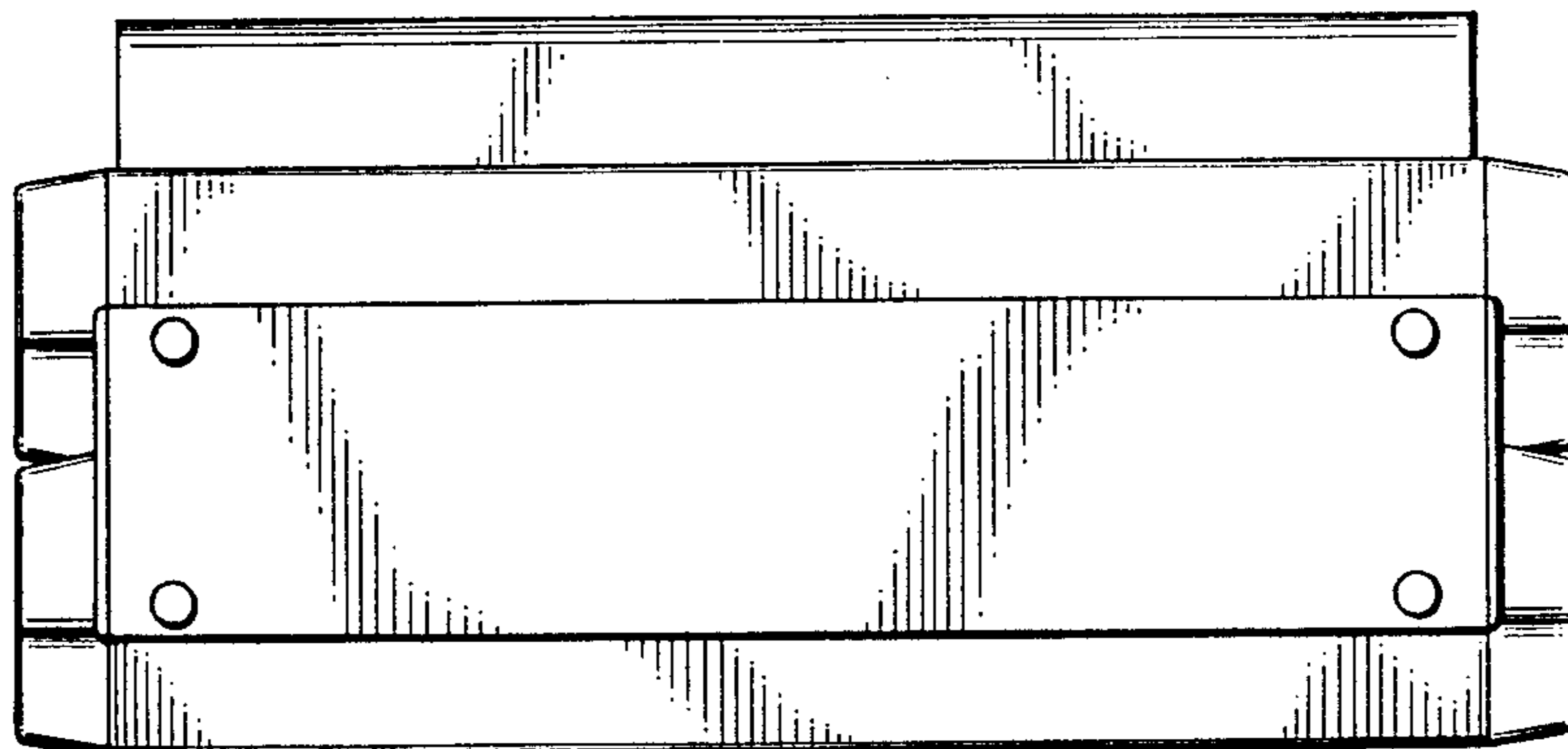


FIG. 6

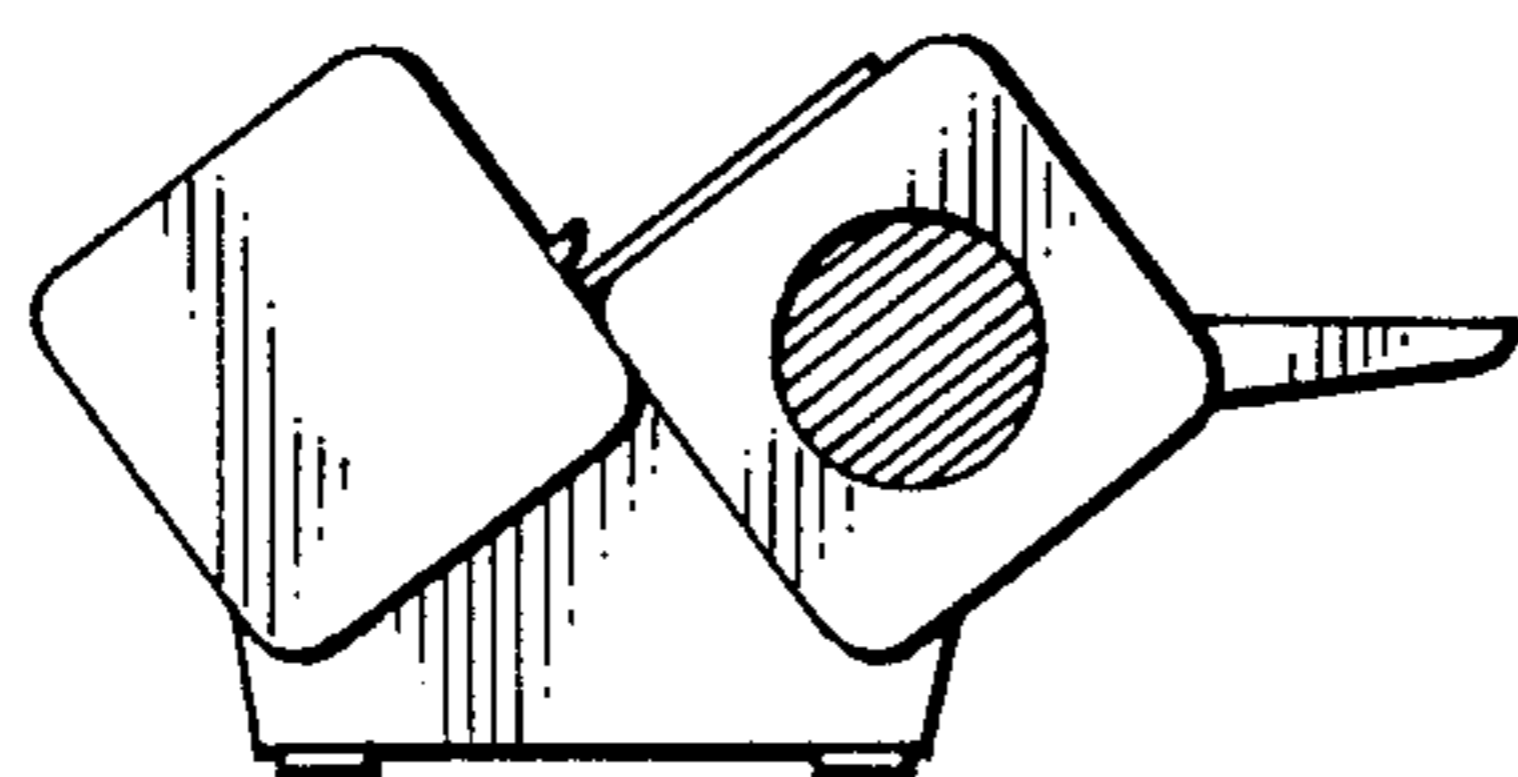


FIG. 7

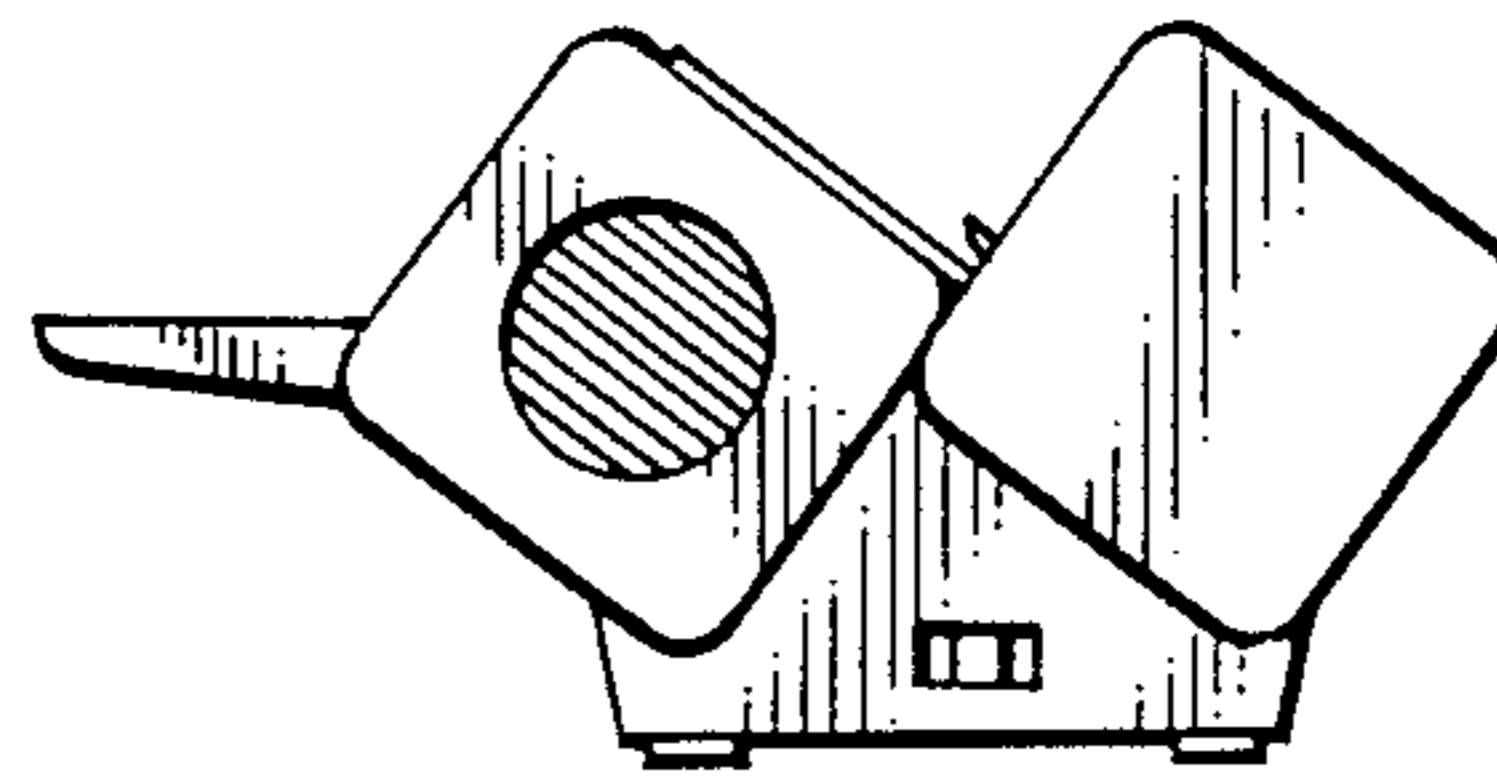


FIG. 8

