

[54] TRACTOR

[75] Inventors: Michael L. Goyen, Cedar Falls, Iowa;
William Crookes, Waldwick, N.J.

[73] Assignee: Deere & Company, Moline, Ill.

[**] Term: 14 Years

[21] Appl. No.: 235,331

[22] Filed: Aug. 22, 1988

[52] U.S. Cl. D15/23

[58] Field of Search D15/10, 22, 23, 24,
D15/26; D12/93, 96; 180/89.1, 89.12, 900

[56] References Cited

U.S. PATENT DOCUMENTS

D. 224,525 8/1972 Vansyoc et al. D15/23

D. 270,350 8/1983 Clancy et al. D15/23
D. 277,861 3/1985 Sieren et al. D15/23

OTHER PUBLICATIONS

Pages from Operator's Manuals for the 8630, 8640 and 8650 Tractors.

Primary Examiner—B. J. Bullock
Assistant Examiner—Sandra Morris

[57] CLAIM

The ornamental design for a tractor, as shown.

DESCRIPTION

FIG. 1 is a left side elevational view of a tractor, showing our new design;
FIG. 2 is a right side perspective view thereof;
FIG. 3 is a front perspective view thereof;
FIG. 4 is a rear perspective view thereof.

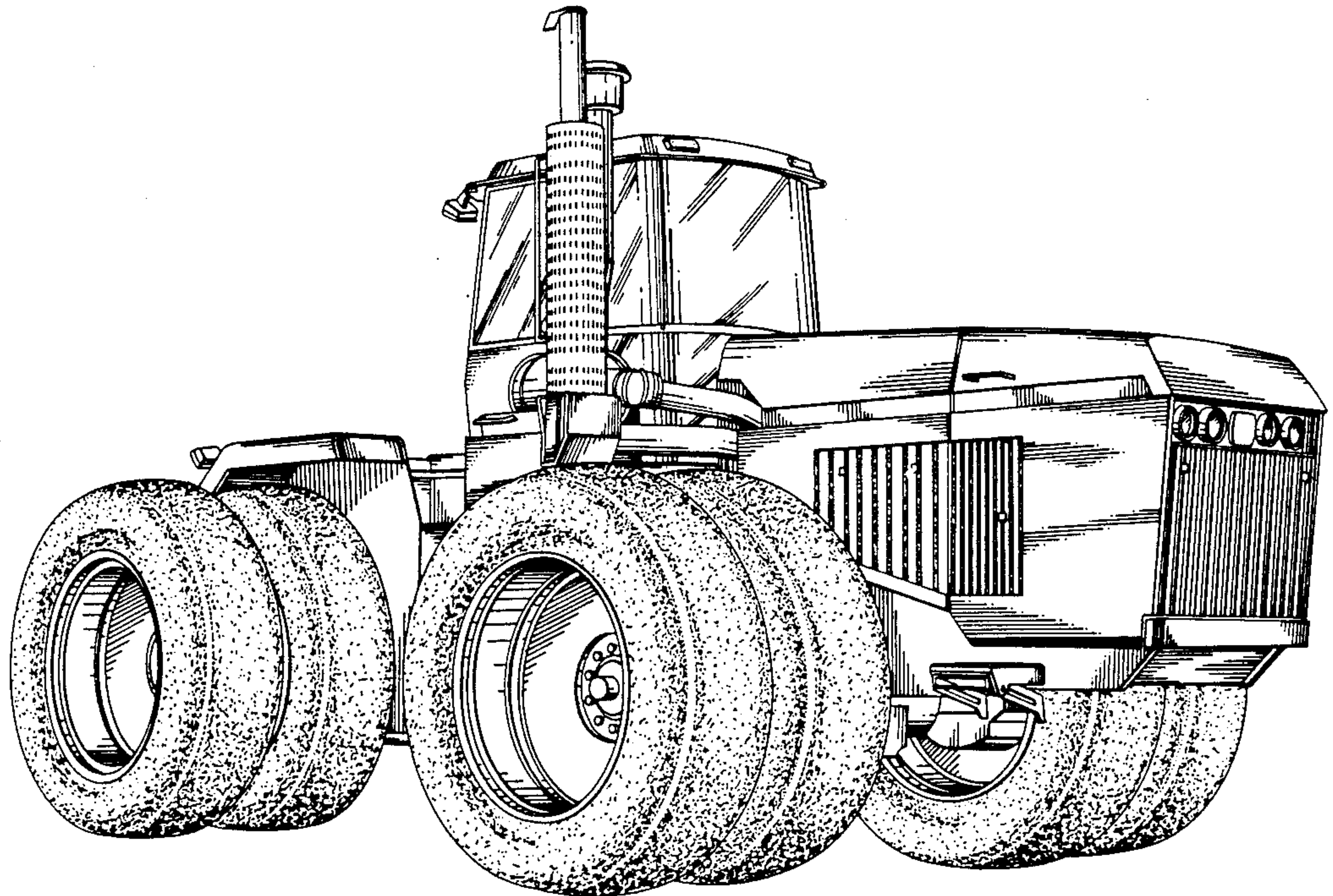


Fig. 1

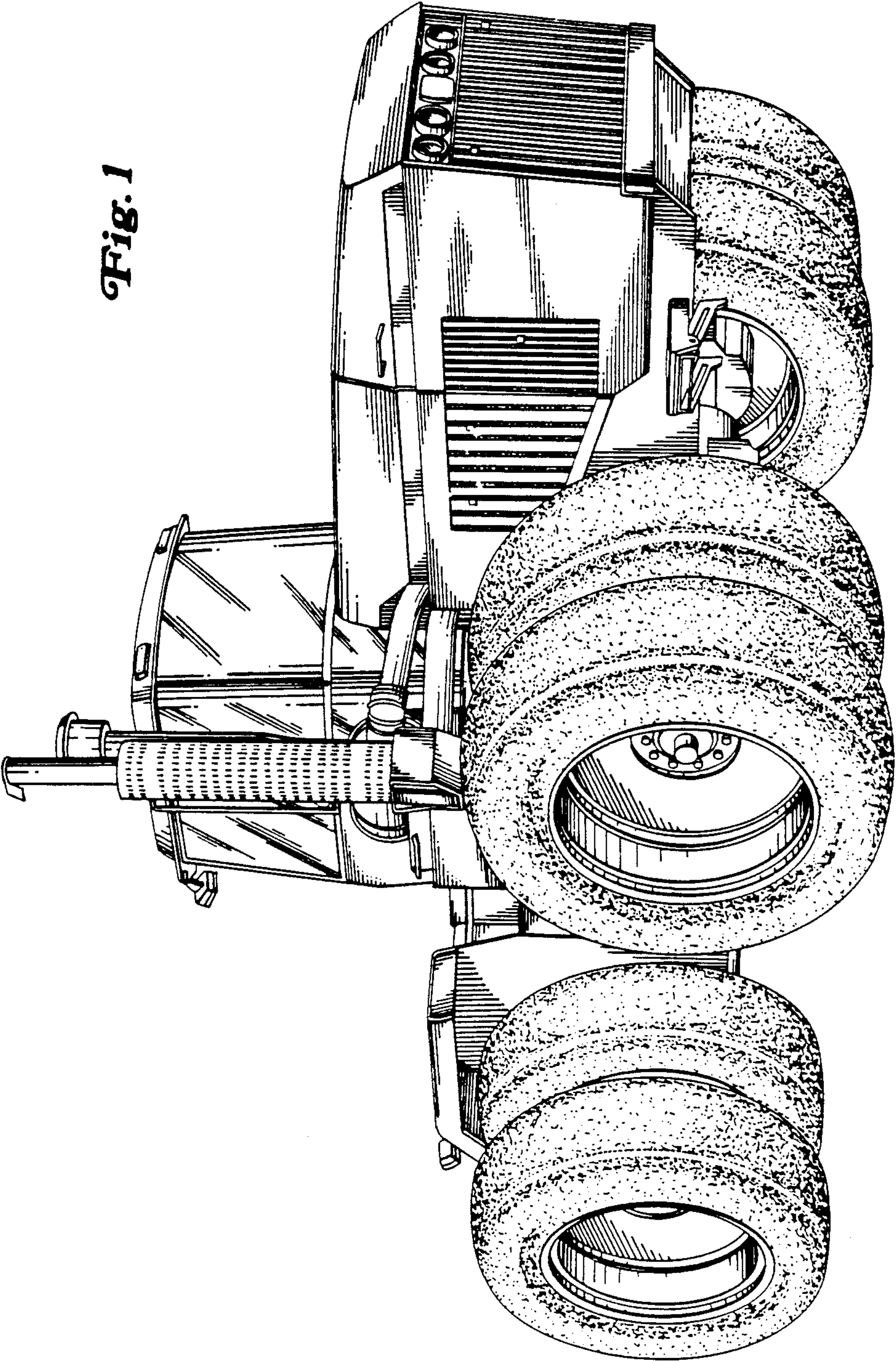


Fig. 2

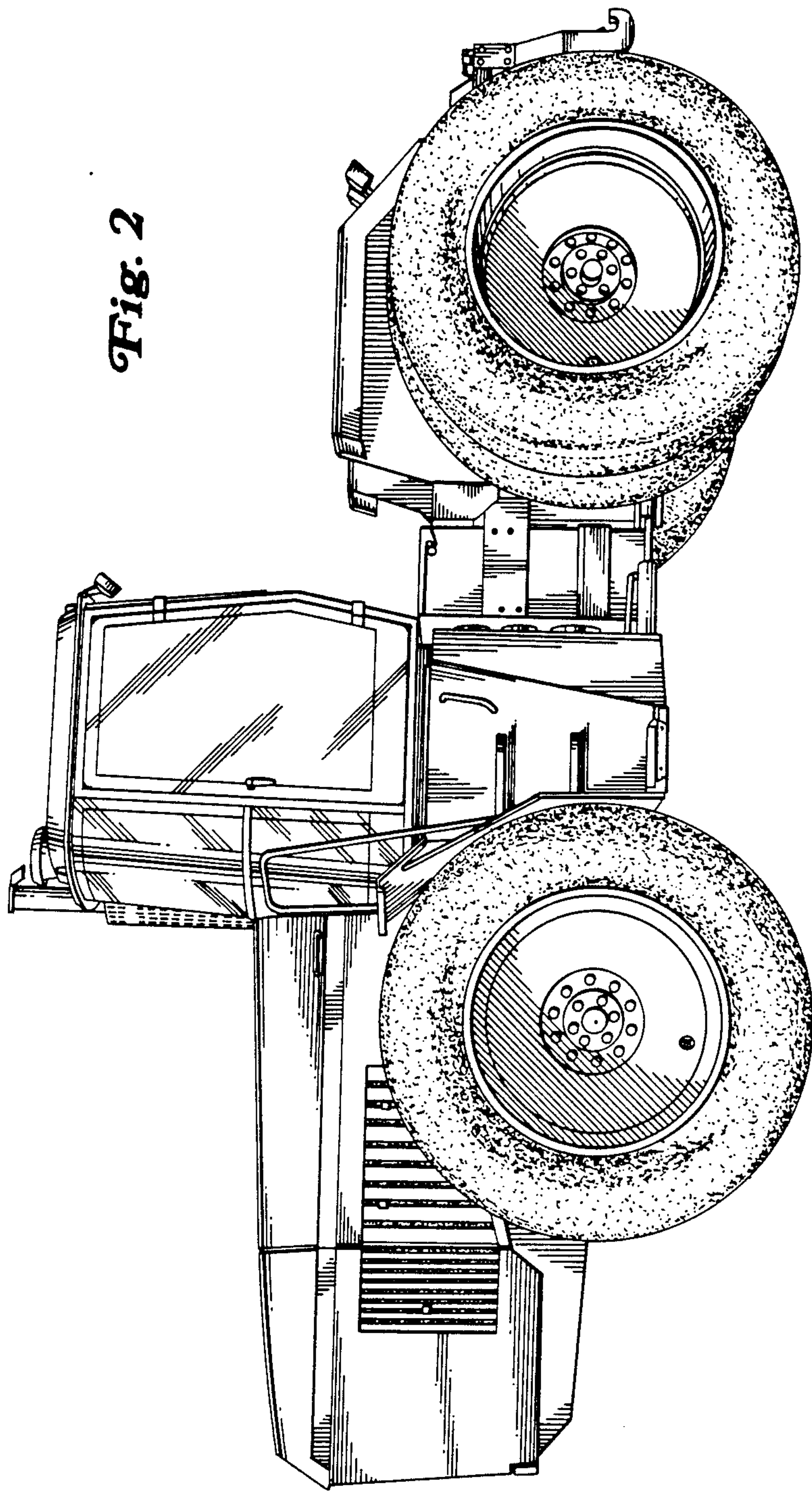


Fig. 3

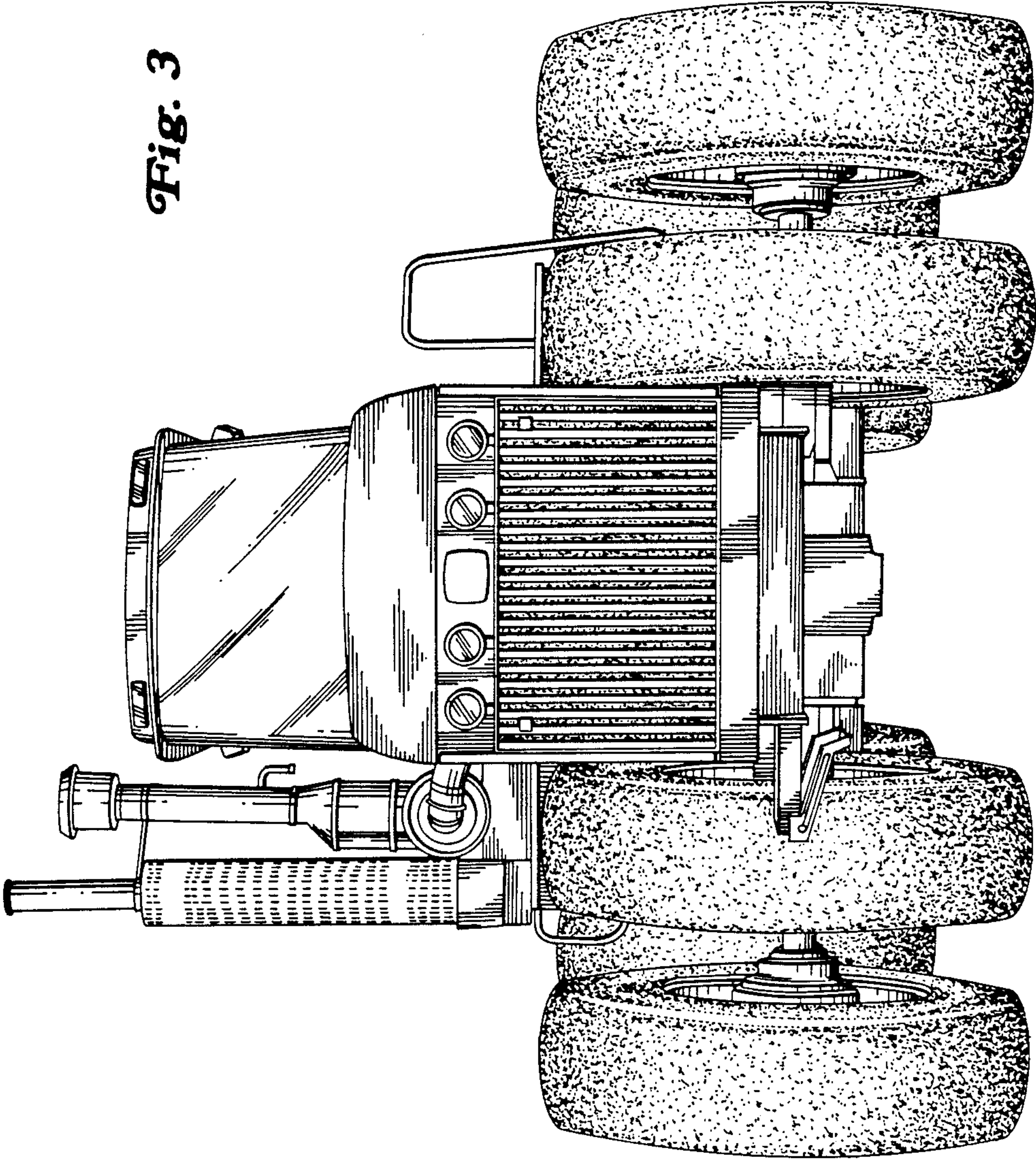
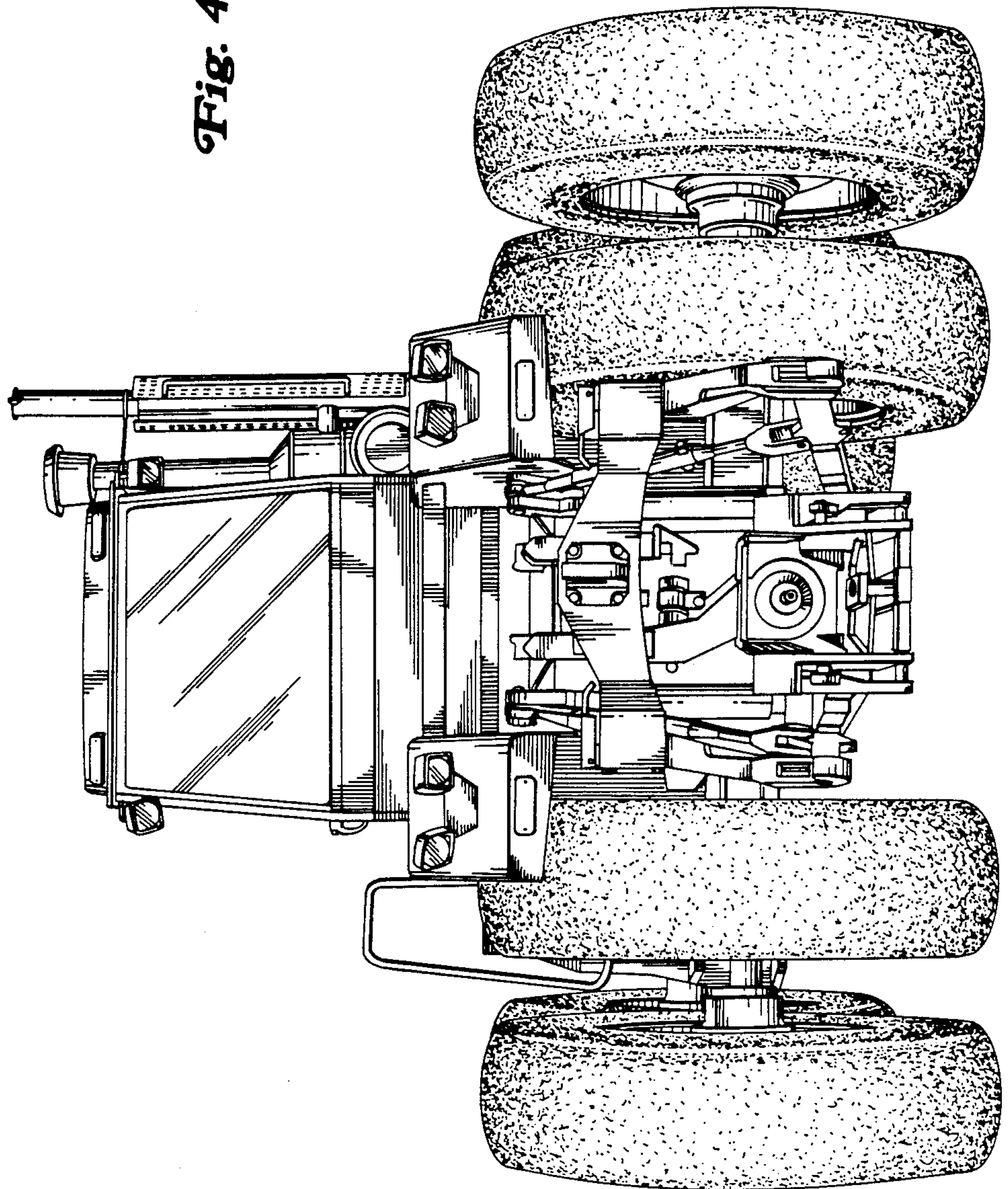


Fig. 4



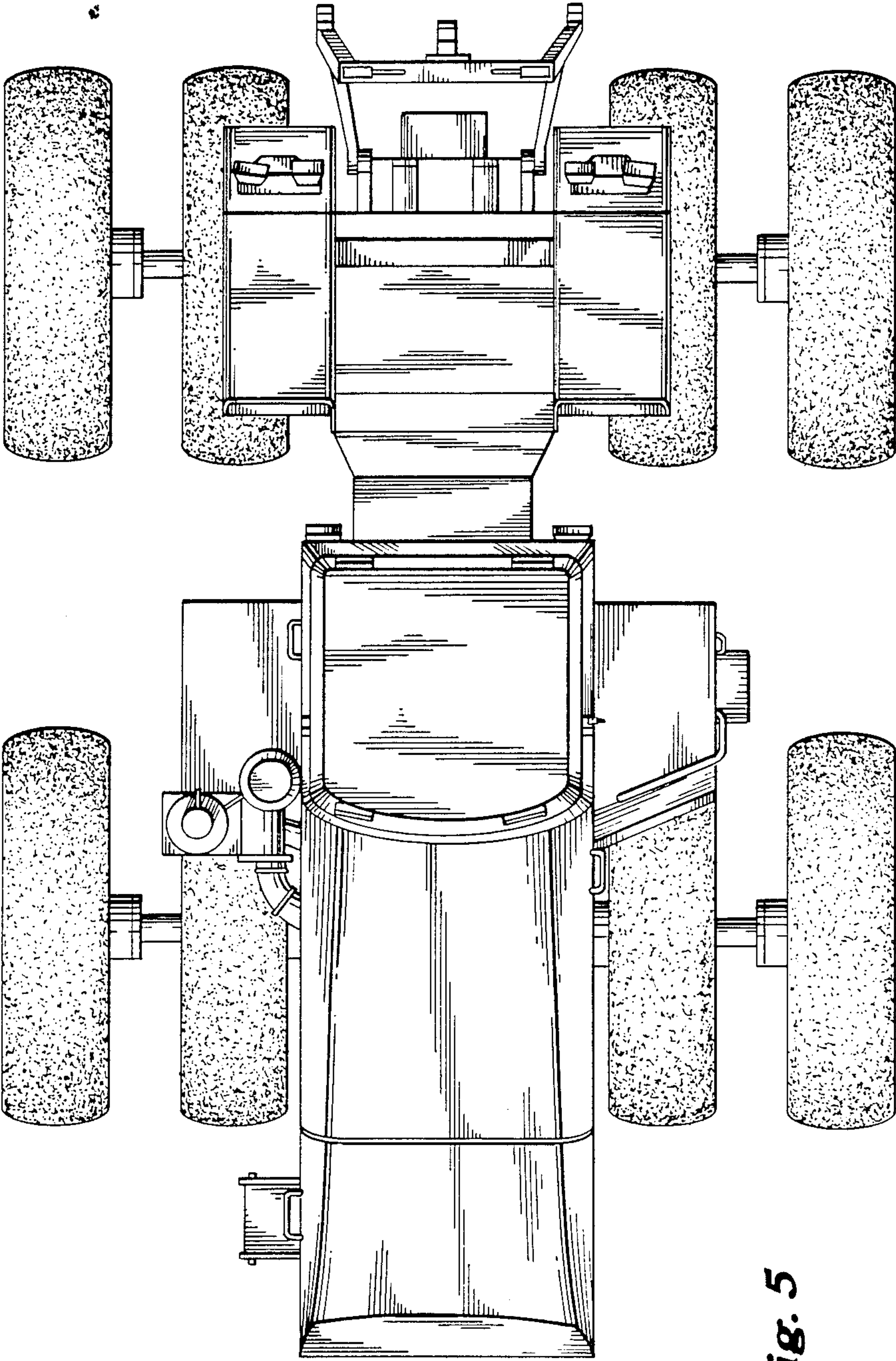


Fig. 5