

[54] VEHICULAR ADAPTOR FOR A PORTABLE RADIO

4,091,318 5/1978 Eichler et al. .... 455/90 X  
4,892,486 1/1990 Guzik et al. .... 455/90 X

[75] Inventors: Khoo B. Lay, Singapore, Singapore;  
Scott H. Richards, Sunrise; Bruce A. Claxton, Coral Springs, both of Fla.

[73] Assignee: Motorola, Inc., Schaumburg, Ill.

[\*\*] Term: 14 Years

[21] Appl. No.: 286,673

[22] Filed: Dec. 19, 1988

[52] U.S. Cl. .... D14/265; D14/137

[58] Field of Search ..... D14/137, 155, 157, 188,  
D14/194, 197-198, 257-258, 265, 299;  
455/89-90, 345-346

[56] References Cited

U.S. PATENT DOCUMENTS

- D. 244,618 6/1977 Goldman et al. .... D14/157 X
- D. 246,521 11/1977 Krumin et al. .
- D. 288,683 3/1987 Bostler et al. .
- D. 292,586 11/1987 George et al. .

OTHER PUBLICATIONS

Motorola, Inc., S.V.A. Saber Vehicular Adapter, brochure, 1988.

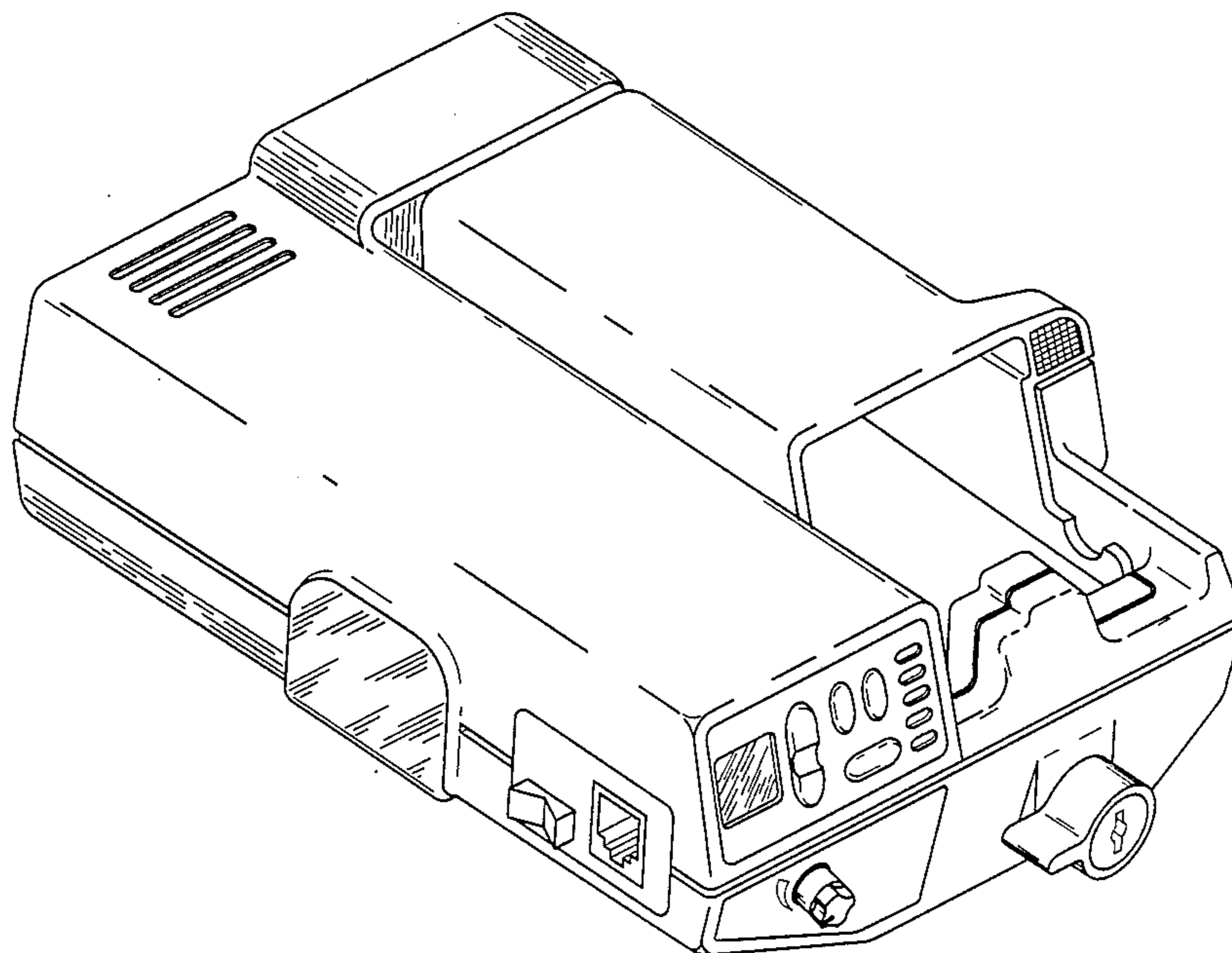
Primary Examiner—Theodore M. Shooman  
Attorney, Agent, or Firm—Daniel K. Nichols

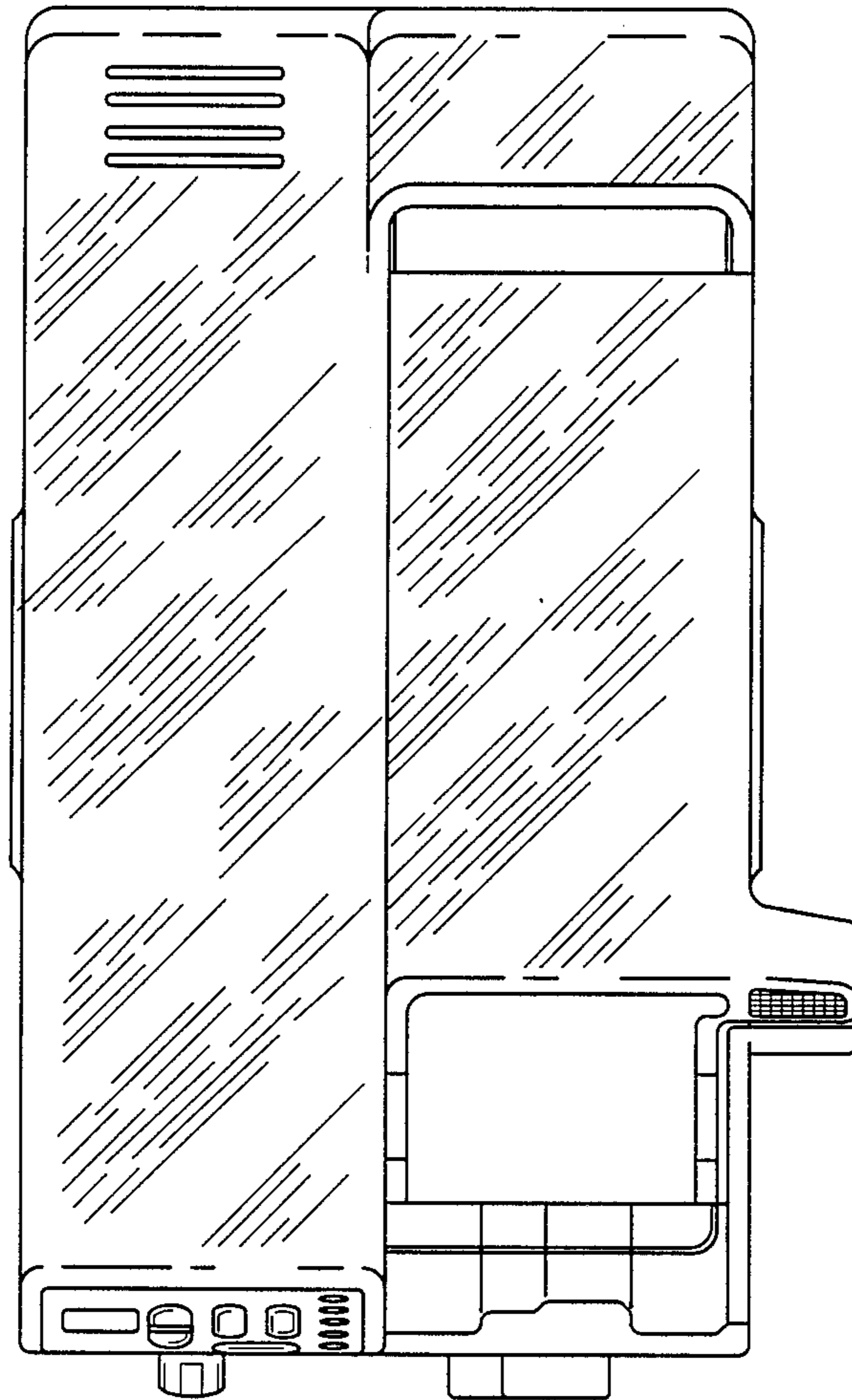
[57] CLAIM

The ornamental design for a vehicular adaptor for a portable radio, as shown.

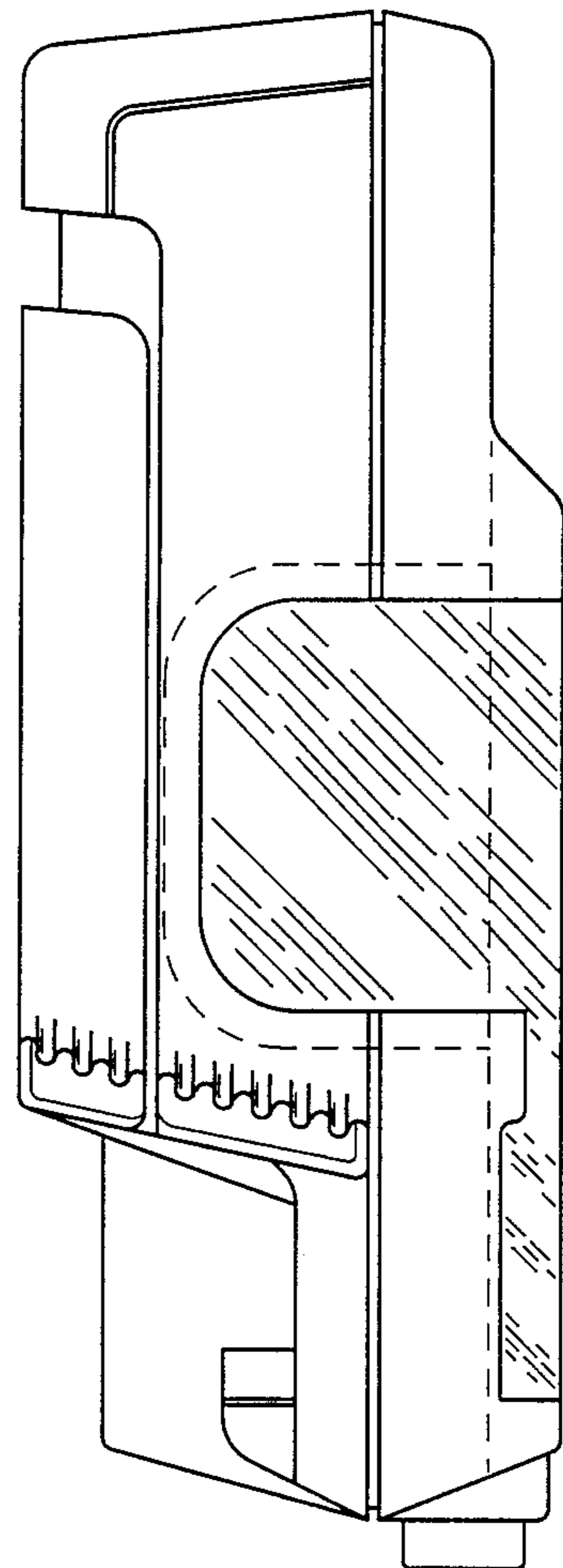
DESCRIPTION

FIG. 1 is a top plan view of a vehicular adaptor for a portable radio showing our new design; FIG. 2 is a right side elevational view thereof; FIG. 3 is a front elevational view thereof; FIG. 4 is a rear elevational view thereof; FIG. 5 is a bottom plan view thereof; FIG. 6 is a left side elevational view thereof; and FIG. 7 is a front, top and left side perspective view thereof.

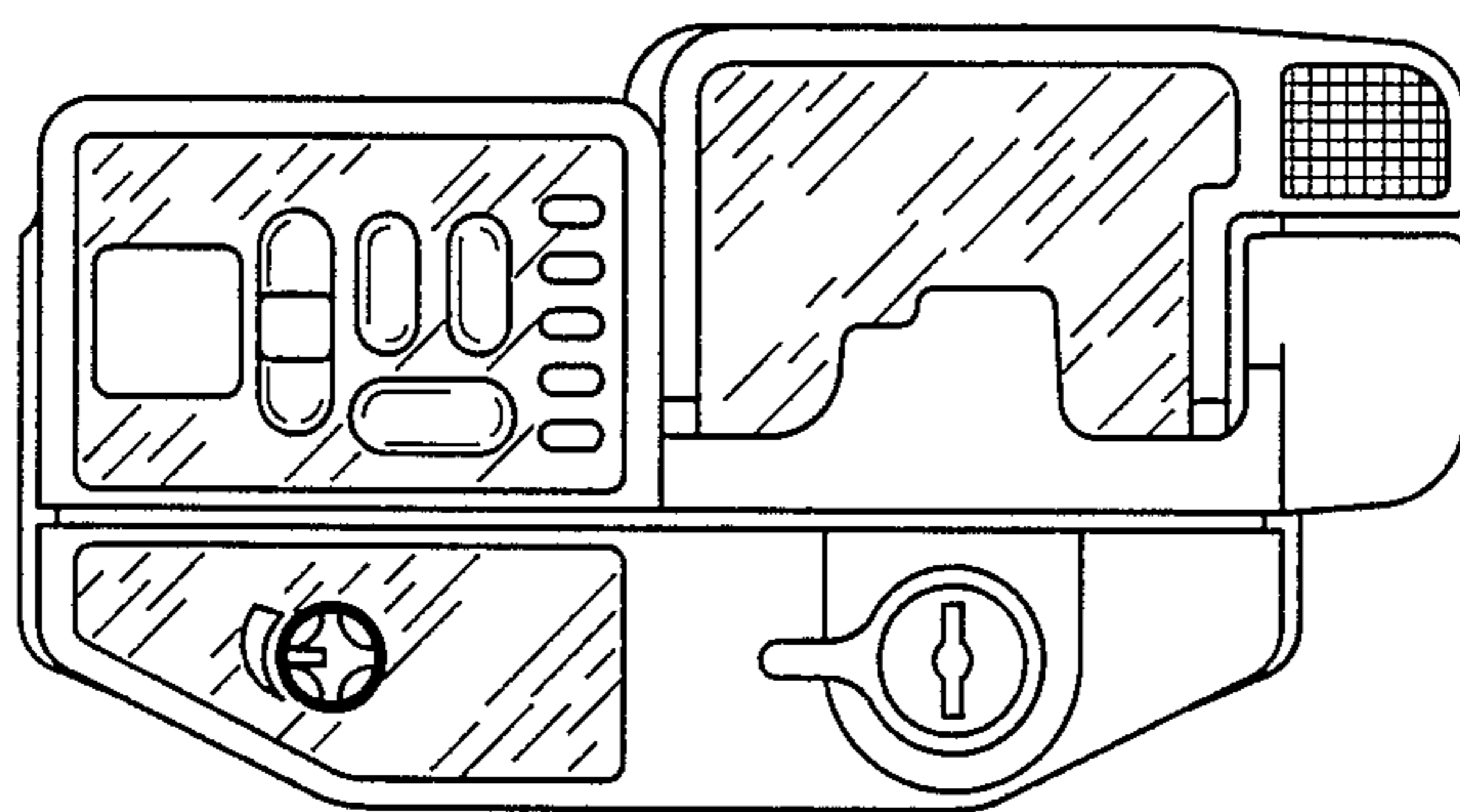




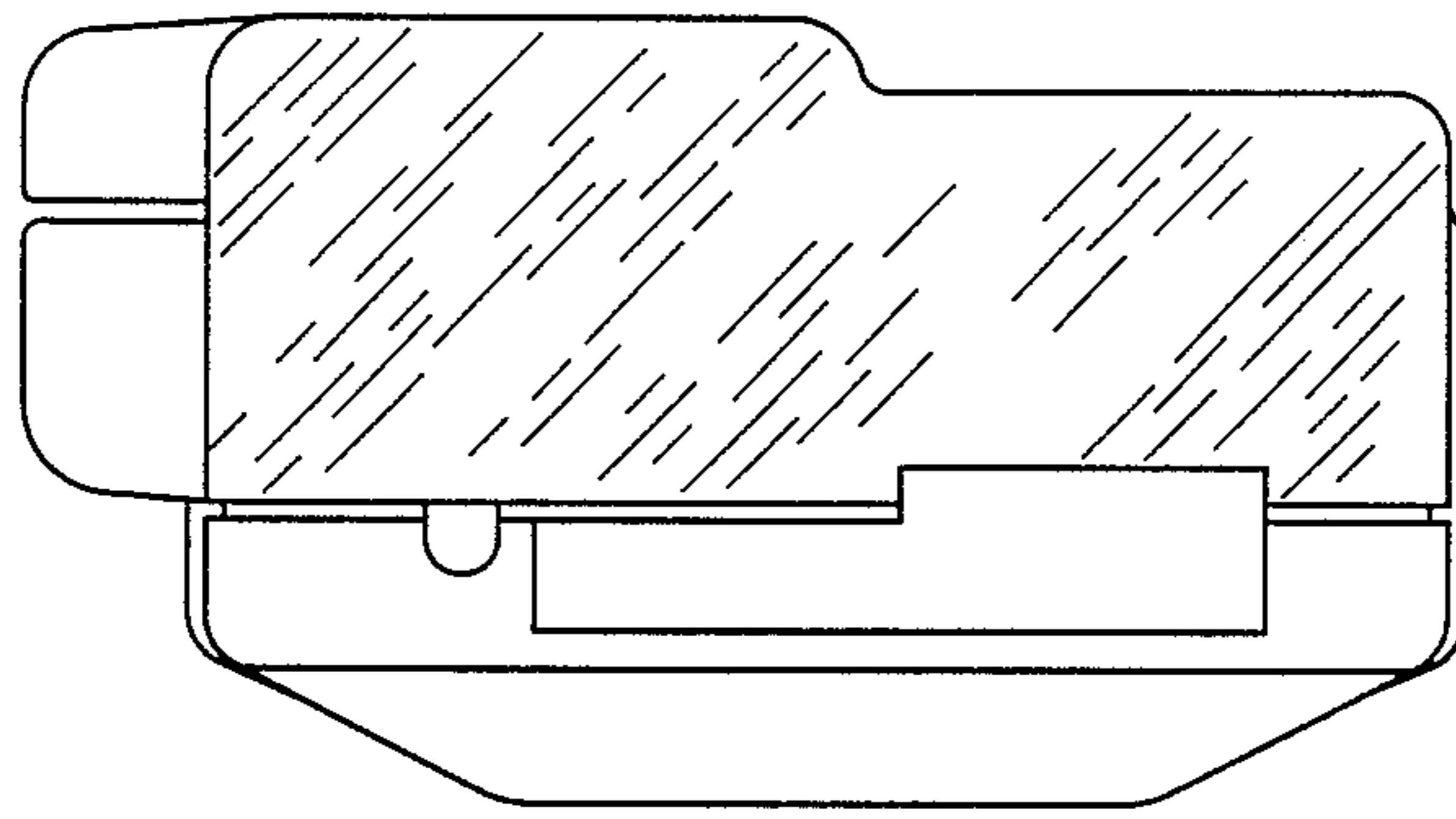
*FIG. 1*



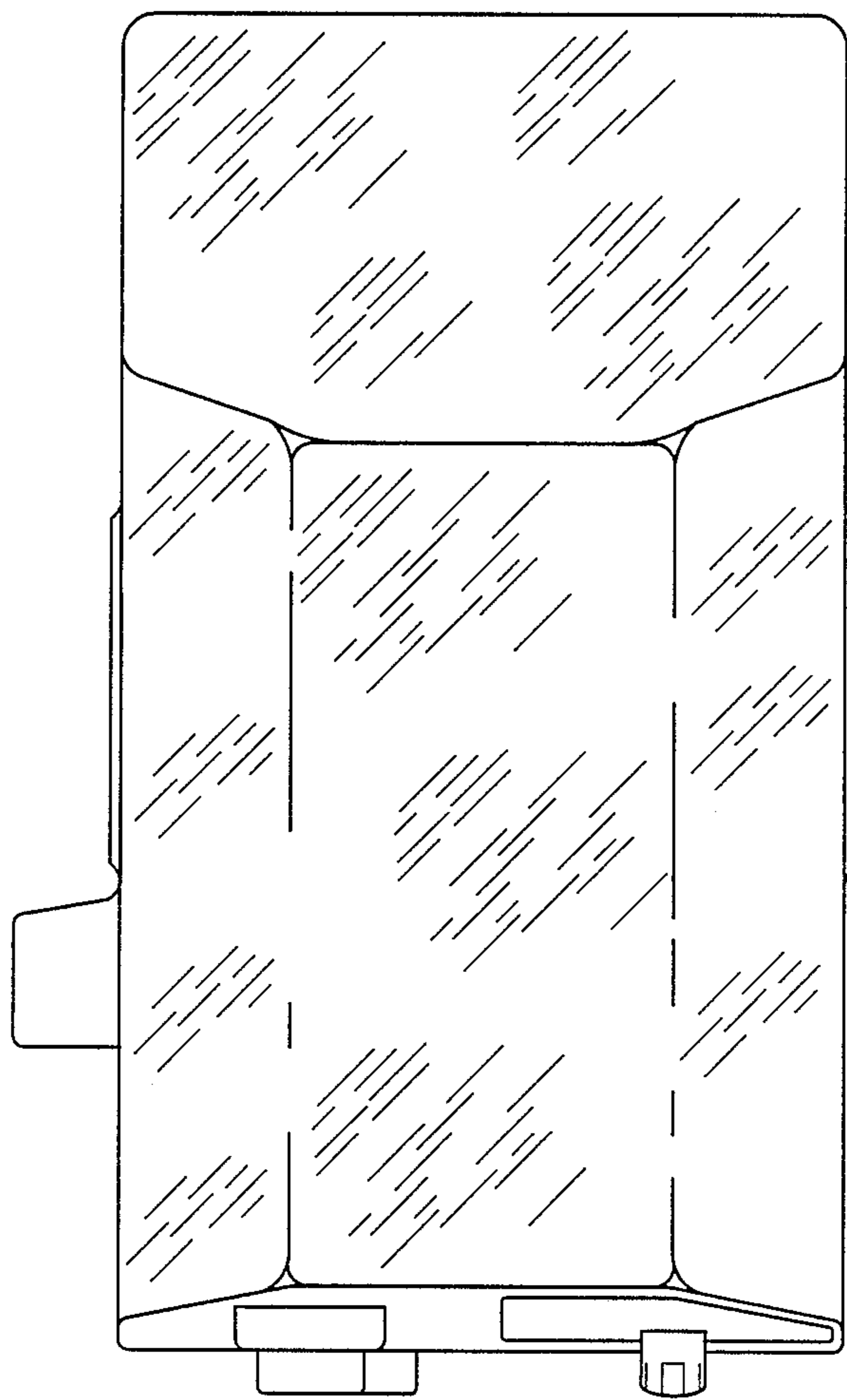
*FIG. 2*



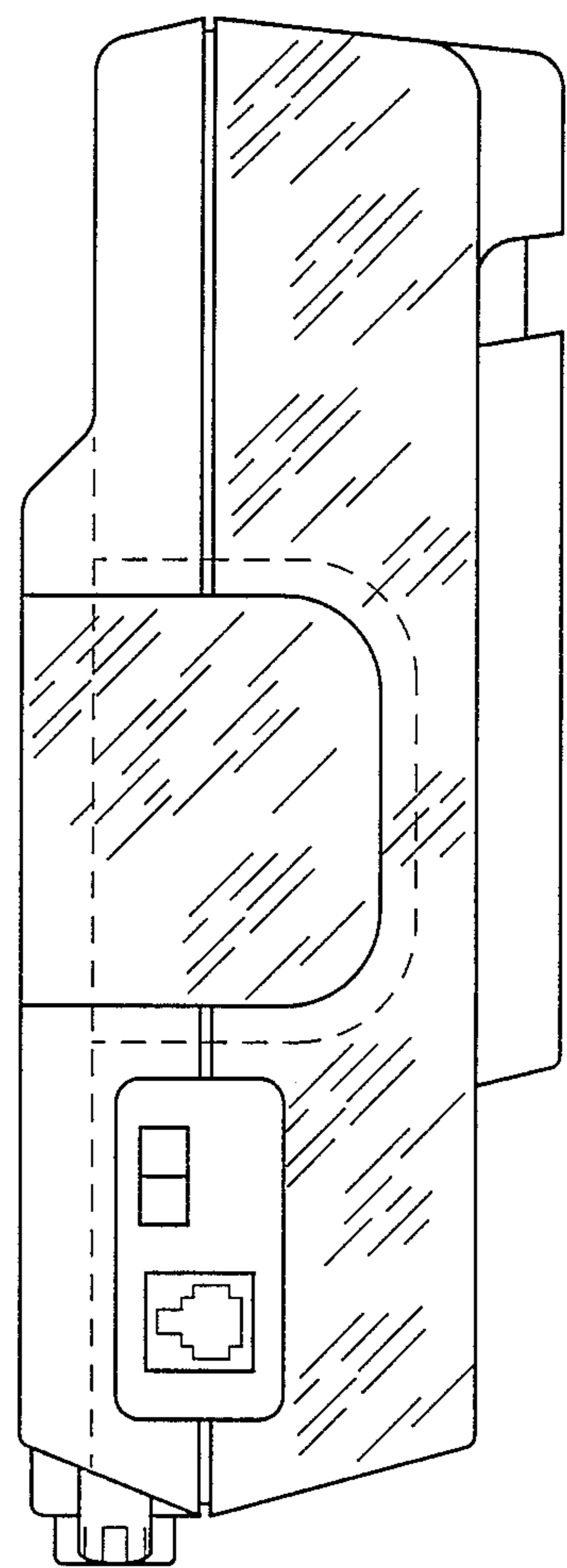
*FIG. 3*



*FIG. 4*



*FIG. 5*



*FIG. 6*

*FIG. 7*

