

[54] **RADIO RECEIVER**

[75] **Inventor: Shuhei Taniguchi, Yokohama, Japan**

[73] **Assignee: Sony Corporation, Tokyo, Japan**

[**] **Term: 14 Years**

[21] **Appl. No.: 267,783**

[22] **Filed: Nov. 7, 1988**

[30] **Foreign Application Priority Data**

May 7, 1988 [JP] Japan 63-17977

[52] **U.S. Cl. D14/196; D14/194**

[58] **Field of Search D14/188-198,
D14/163, 168, 170-171; 455/344, 347,
350-351; 312/7.1**

[56] **References Cited**

U.S. PATENT DOCUMENTS

D. 238,610	1/1976	Ohta et al.	D14/194
D. 247,493	3/1978	Kushida et al.	D14/194
D. 252,801	9/1979	Usuda	D14/171 X
D. 264,718	6/1982	Hoshino	D14/171
D. 278,906	5/1985	Nakamura	D14/194

OTHER PUBLICATIONS

Hong Kong Enterprises; 1/85; p. 312; top right-Portable Radio.

Hong Kong Enterprise; 11/86; p. 77; top-Travelling Clock.

Primary Examiner—Theodore M. Shooman
Attorney, Agent, or Firm—Lewis H. Eslinger; Jay H. Maioli

[57] **CLAIM**

The ornamental design for a radio receiver, as shown and described.

DESCRIPTION

FIG. 1 is a top, front, and right-side perspective view of a radio receiver, showing my new design;

FIG. 2 is a front and right-side perspective view thereof, shown with handle pivotted into a right-angle position;

FIG. 3 is a front elevational view thereof;

FIG. 4 is a front elevational view thereof, shown with handle pivotted into a straight position;

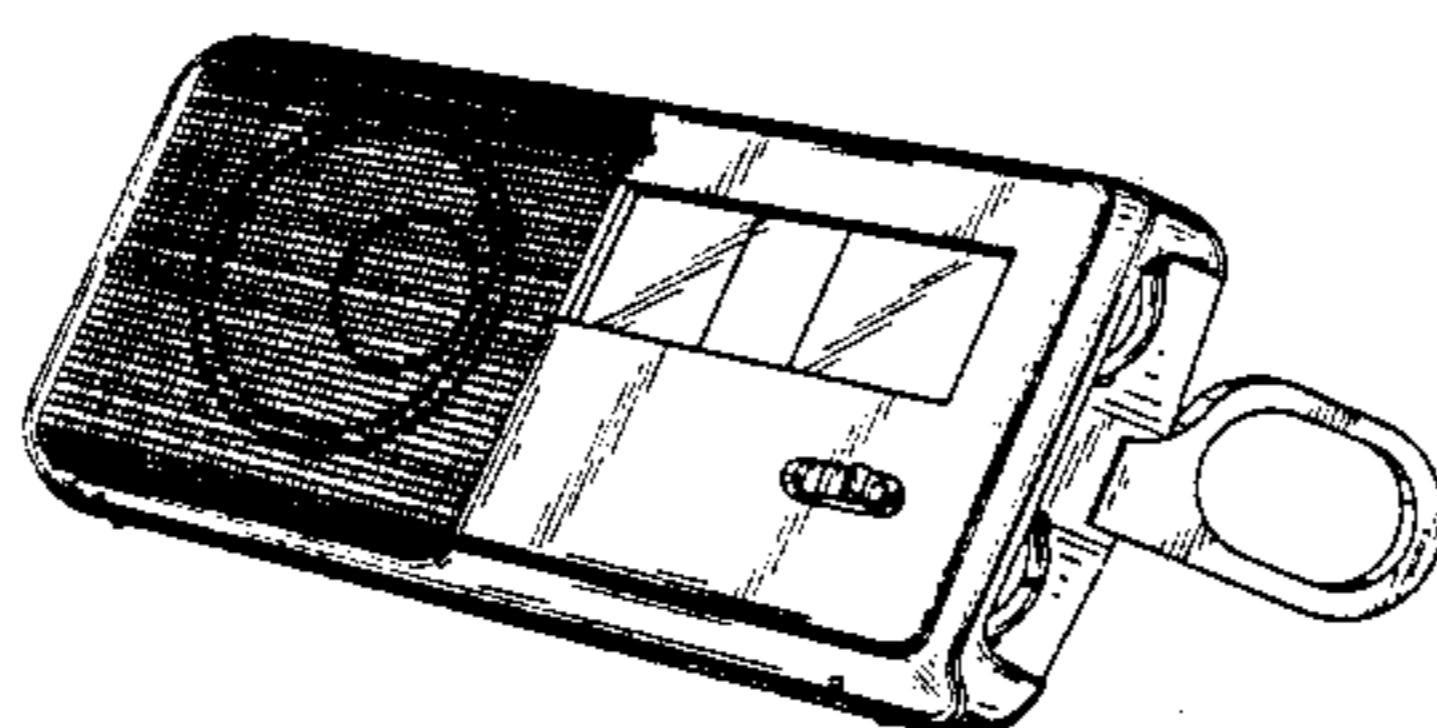
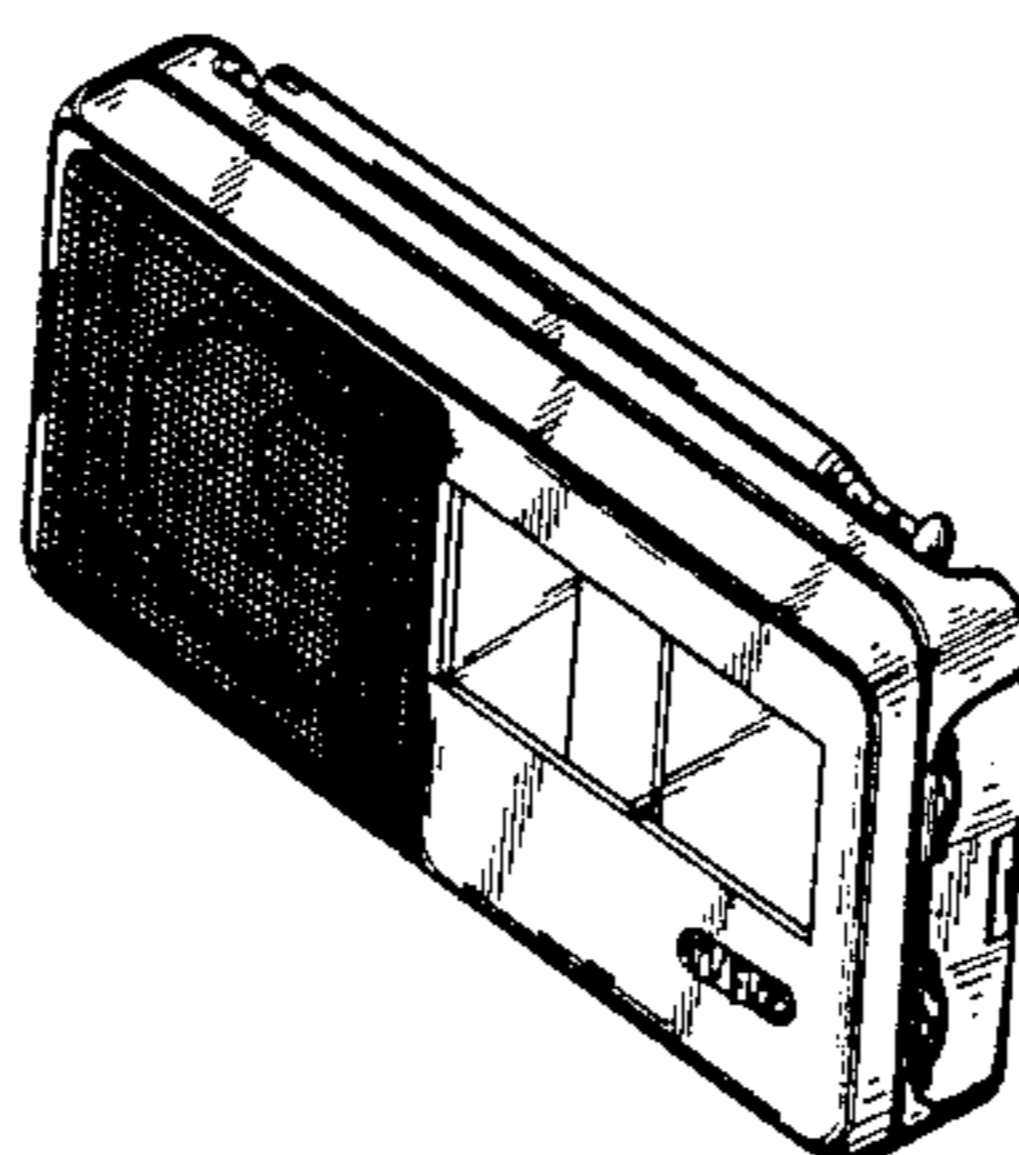
FIG. 5 is a rear elevational view thereof;

FIG. 6 is a left-side elevational view thereof;

FIG. 7 is a right-side elevational view thereof;

FIG. 8 is a top plan view thereof; and

FIG. 9 is a bottom plan view thereof.



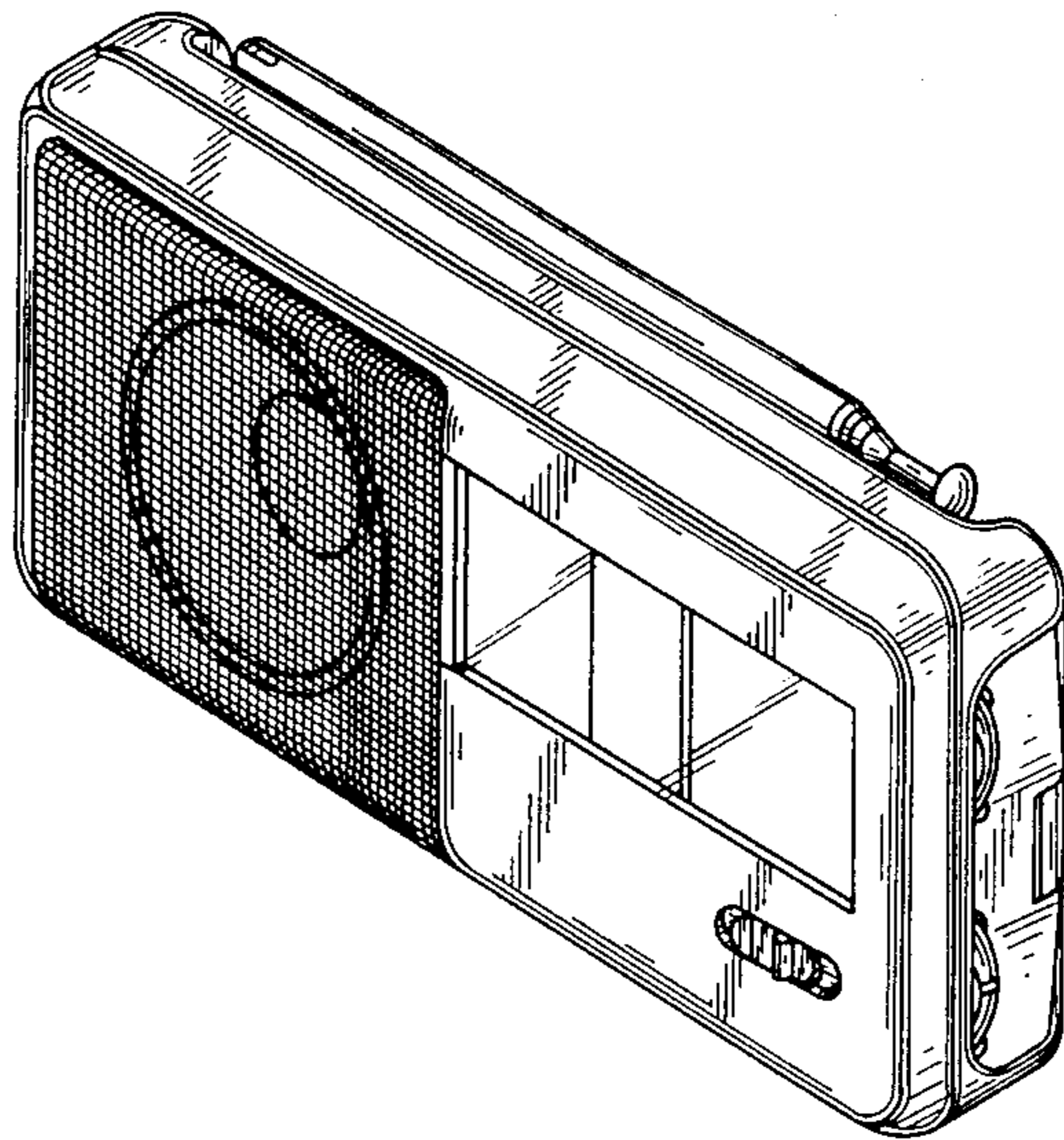


FIG. 1

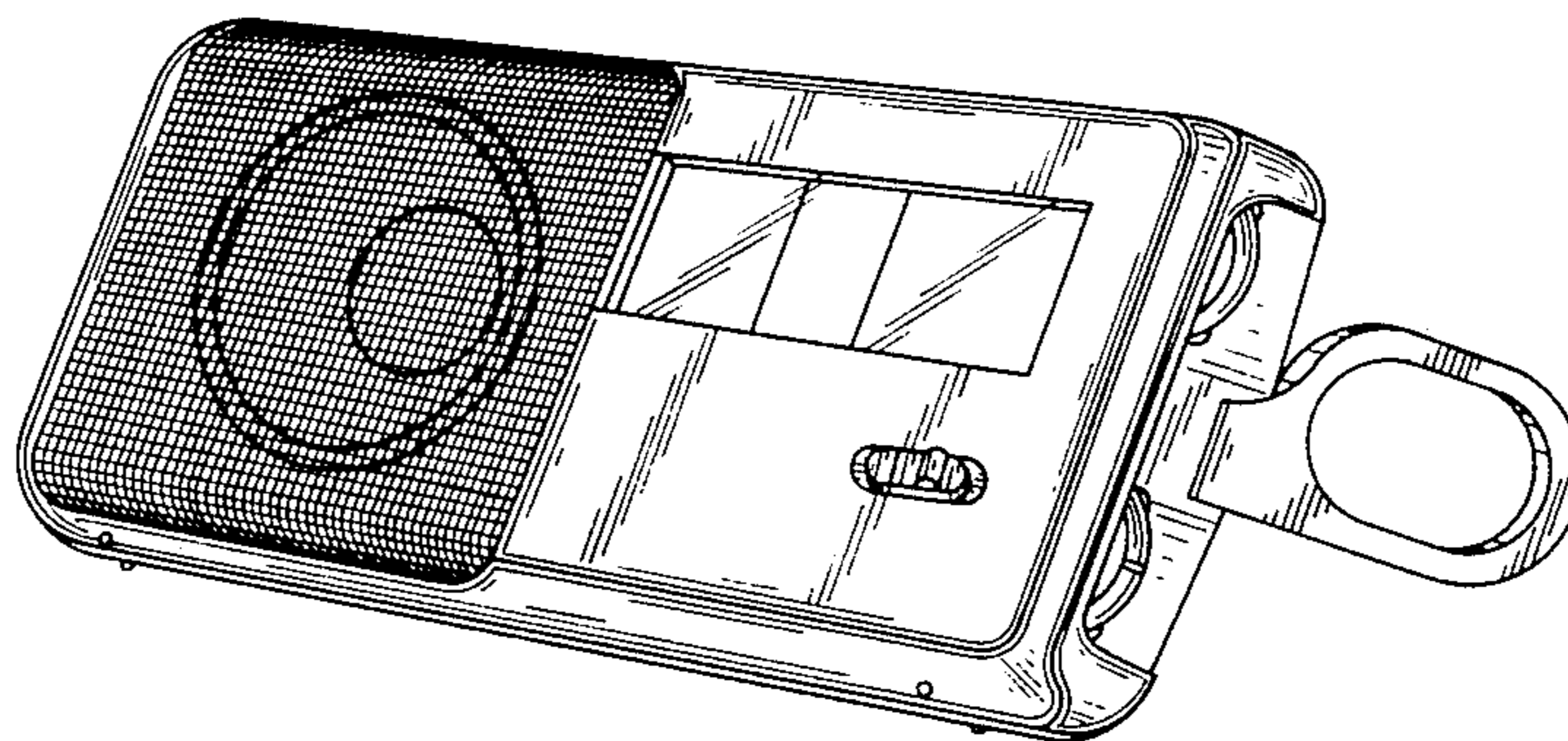


FIG. 2

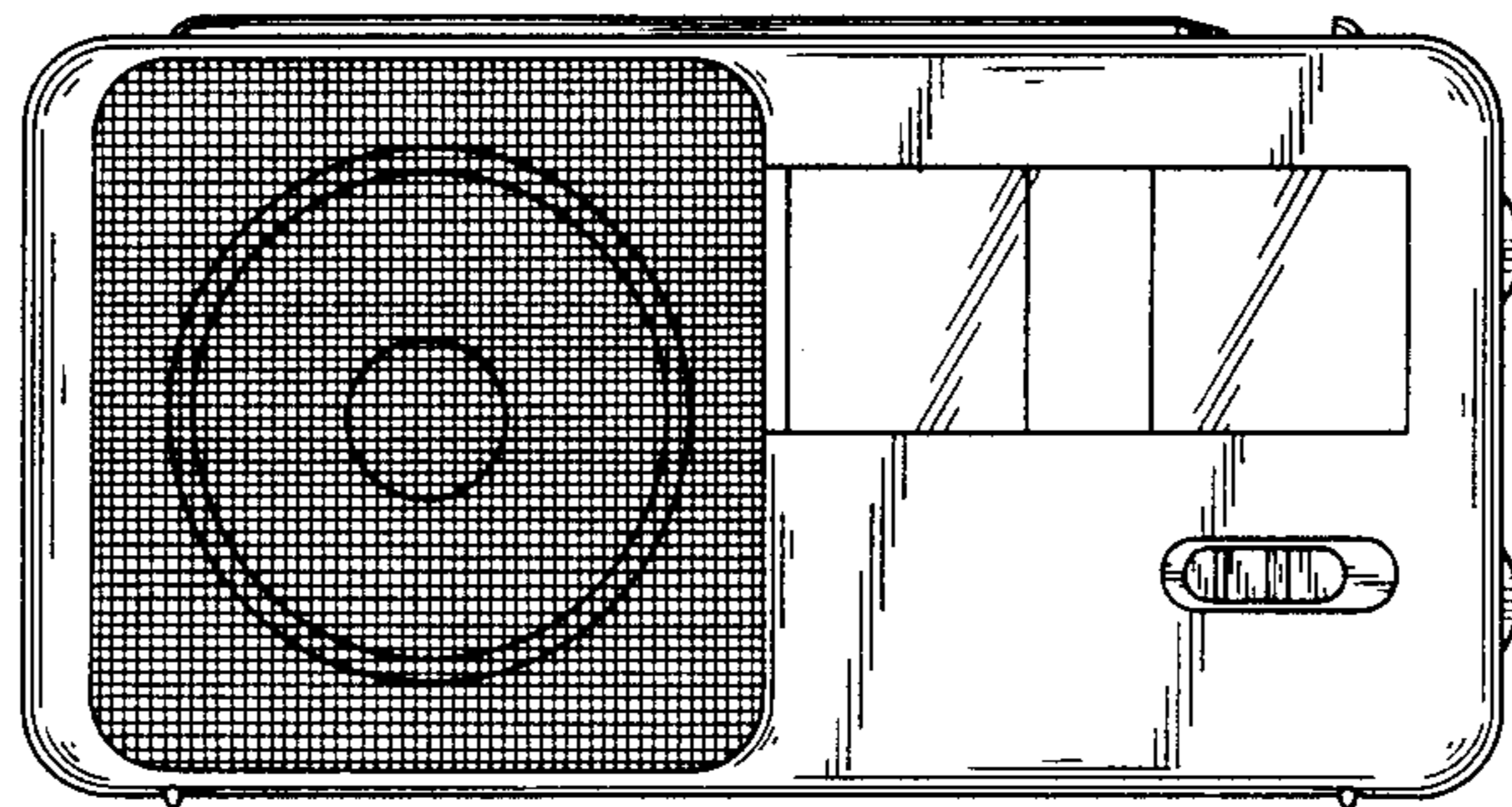


FIG. 3

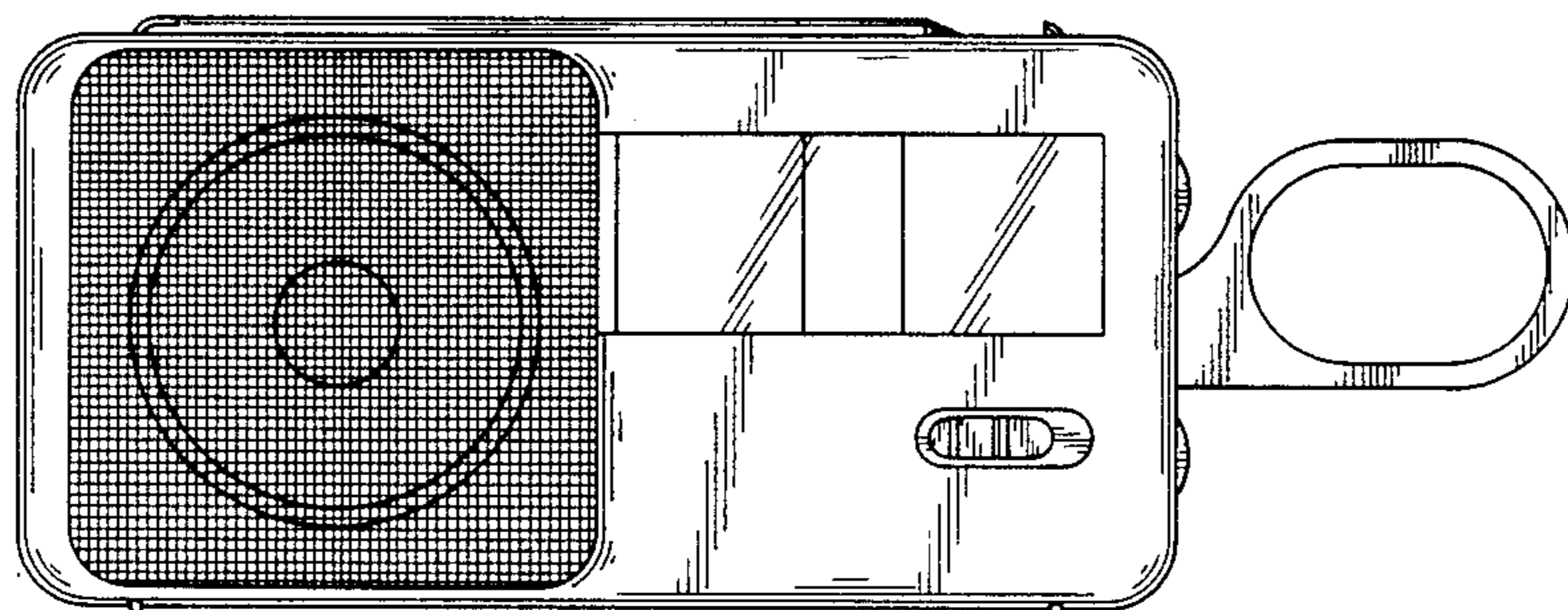


FIG. 4

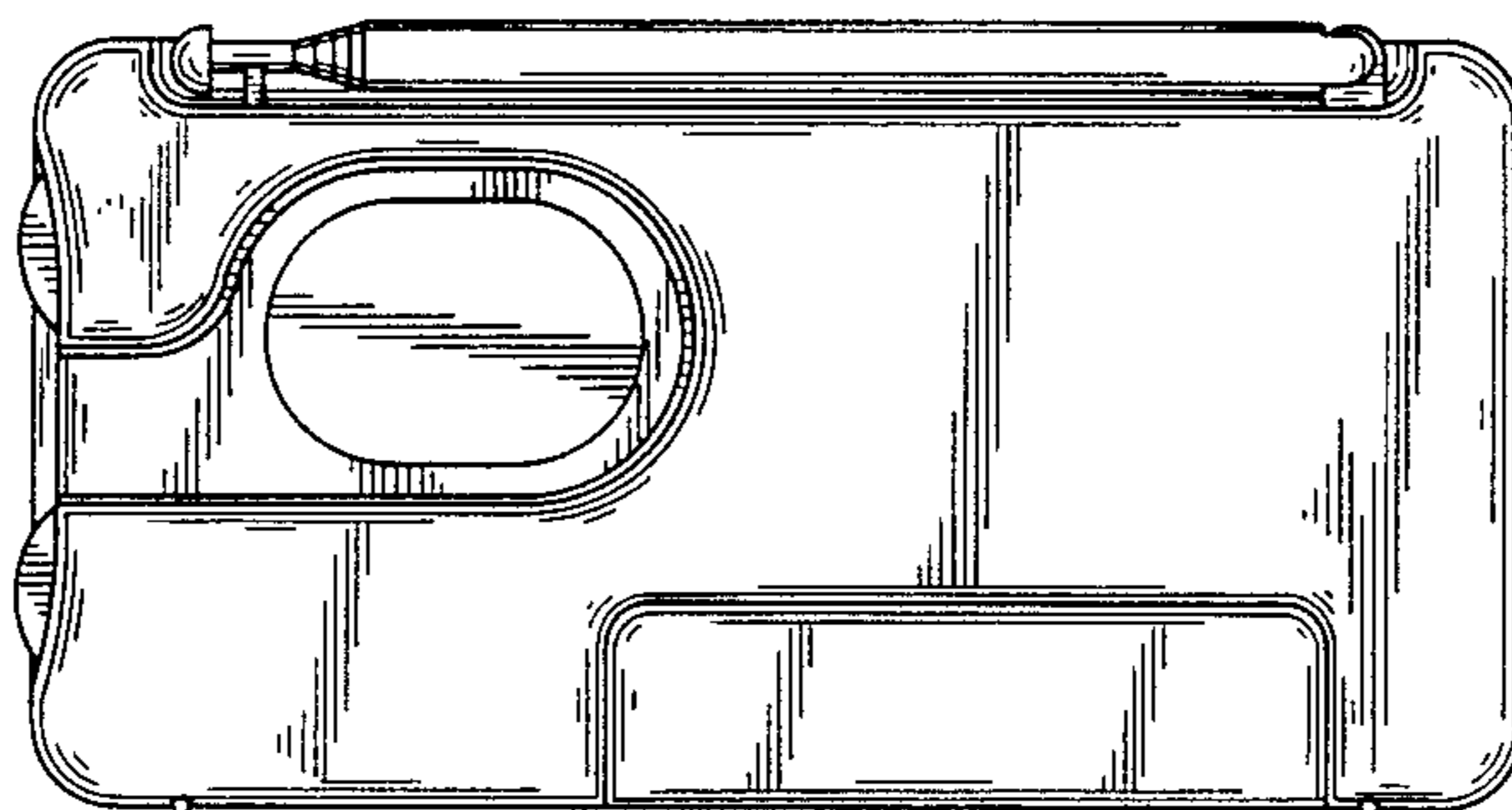


FIG. 5

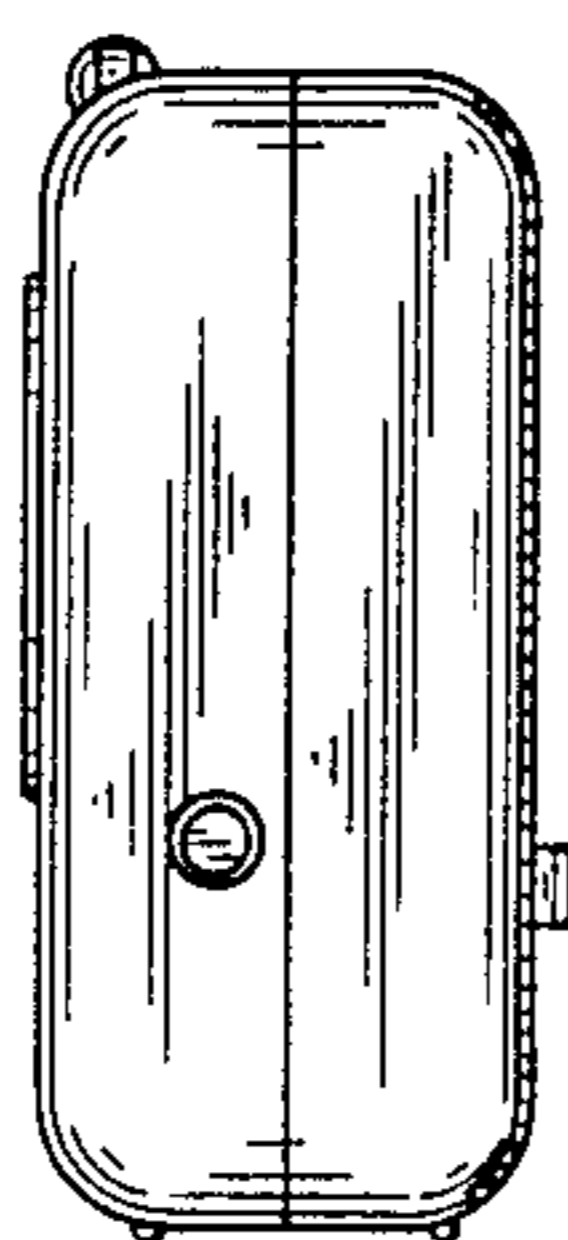


FIG. 6

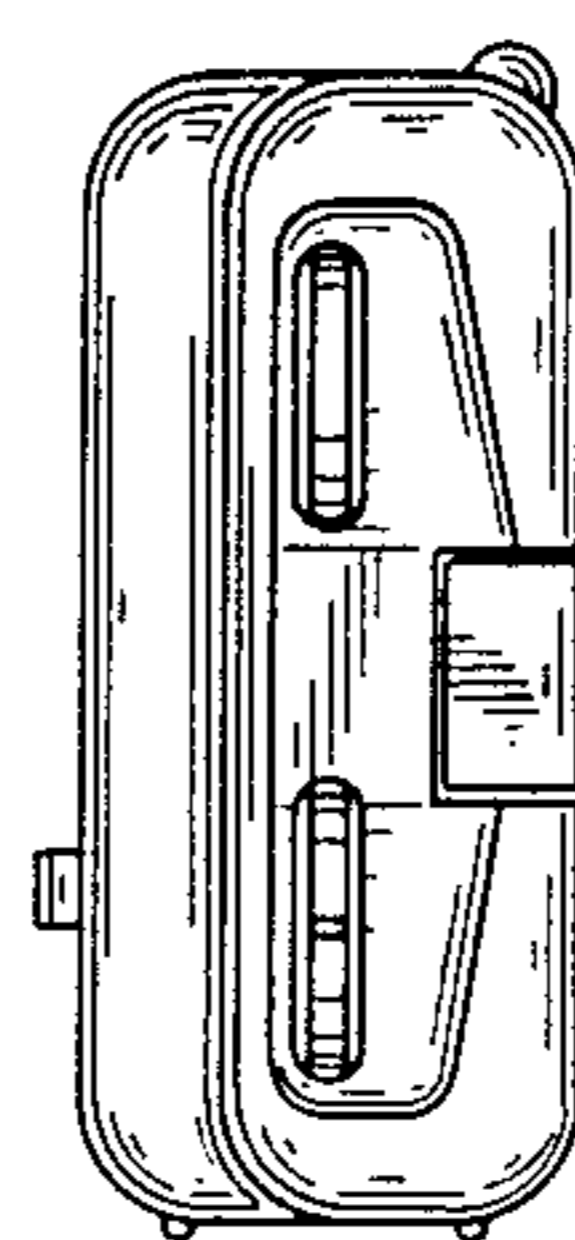


FIG. 7

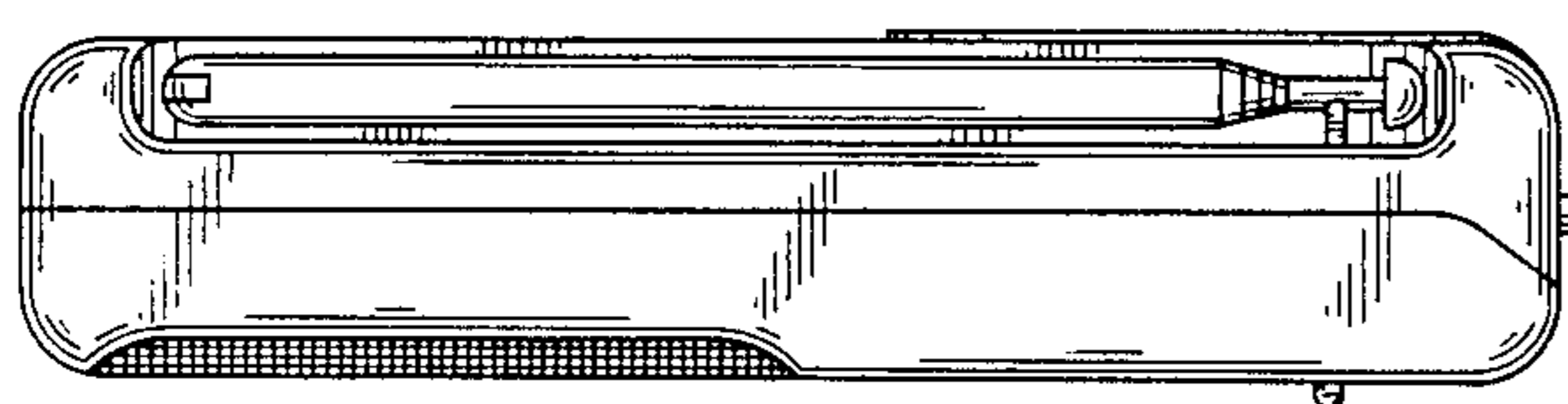


FIG. 8

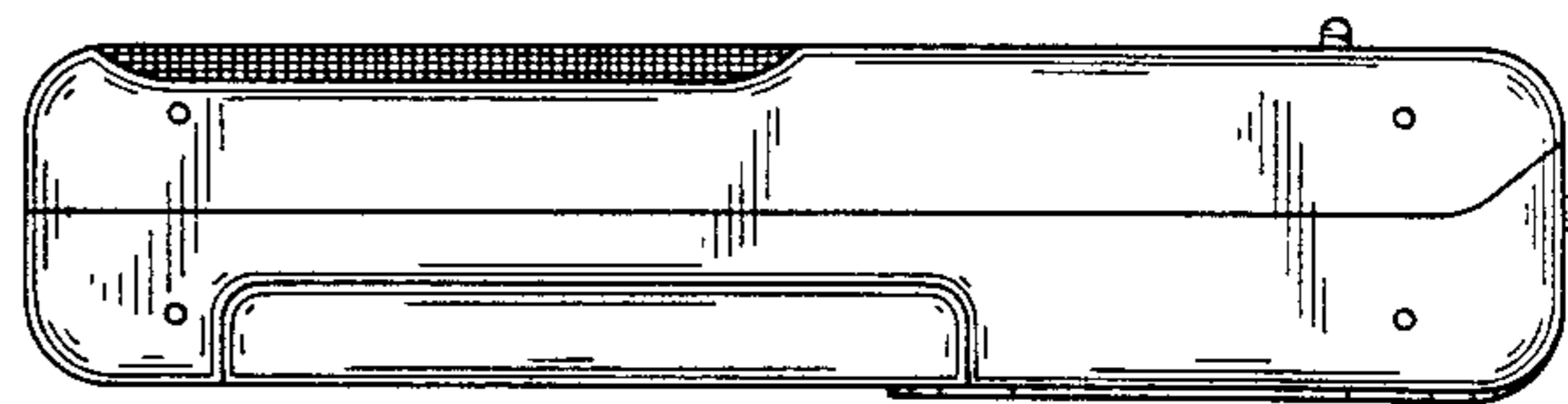


FIG. 9