

[54] TELEPHONE SET

[75] Inventor: Kurt Arm, Hombrechtikon, Switzerland

[73] Assignee: Zellweger Telecommunications AG, Switzerland

[**] Term: 14 Years

[21] Appl. No.: 344,859

[22] Filed: Apr. 28, 1989

[30] Foreign Application Priority Data

Nov. 9, 1988 [CH] Switzerland 117,012

[52] U.S. Cl. D14/150; D14/148; D14/248; D14/253; 379/434; 379/420

[58] Field of Search D14/138, 151, 150, 147, D14/148; 379/436, 440, 432, 428

[56] References Cited

U.S. PATENT DOCUMENTS

- D. 262,879 2/1982 Marshall D14/150
- D. 285,199 8/1986 Hocking D14/147
- D. 291,082 7/1987 Büchin D14/151
- D. 292,580 11/1987 Wang D14/151
- D. 293,102 12/1987 Bullock D14/150

- D. 294,249 2/1988 Hyvönen D14/151
- D. 299,030 12/1988 Menn D14/151 X
- D. 299,132 12/1988 Asaki et al. D14/151
- D. 300,628 4/1989 Wu D14/151
- D. 301,473 6/1989 Roje D14/138
- D. 303,963 10/1989 Kokihara D14/148 X

Primary Examiner—Horace B. Fay, Jr.

Attorney, Agent, or Firm—Burns, Doane, Swecker & Mathis

[57] CLAIM

The ornamental design for a telephone set, as shown and described.

DESCRIPTION

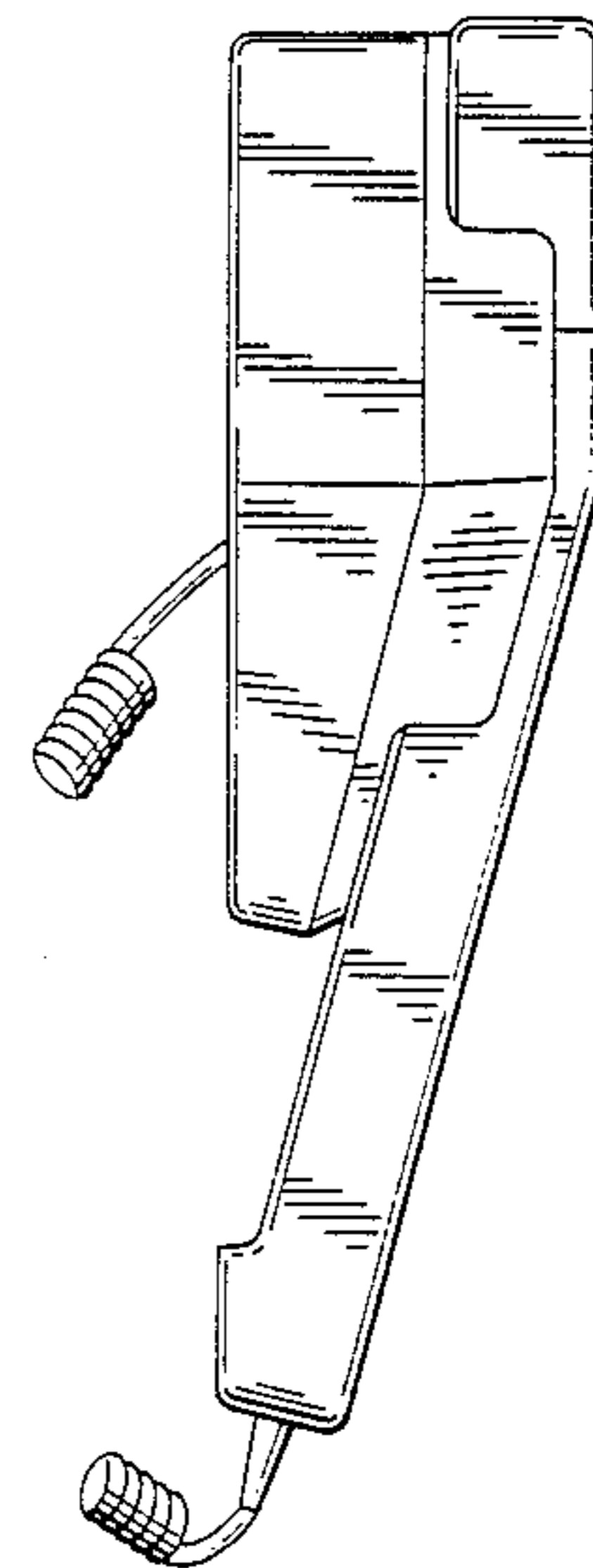
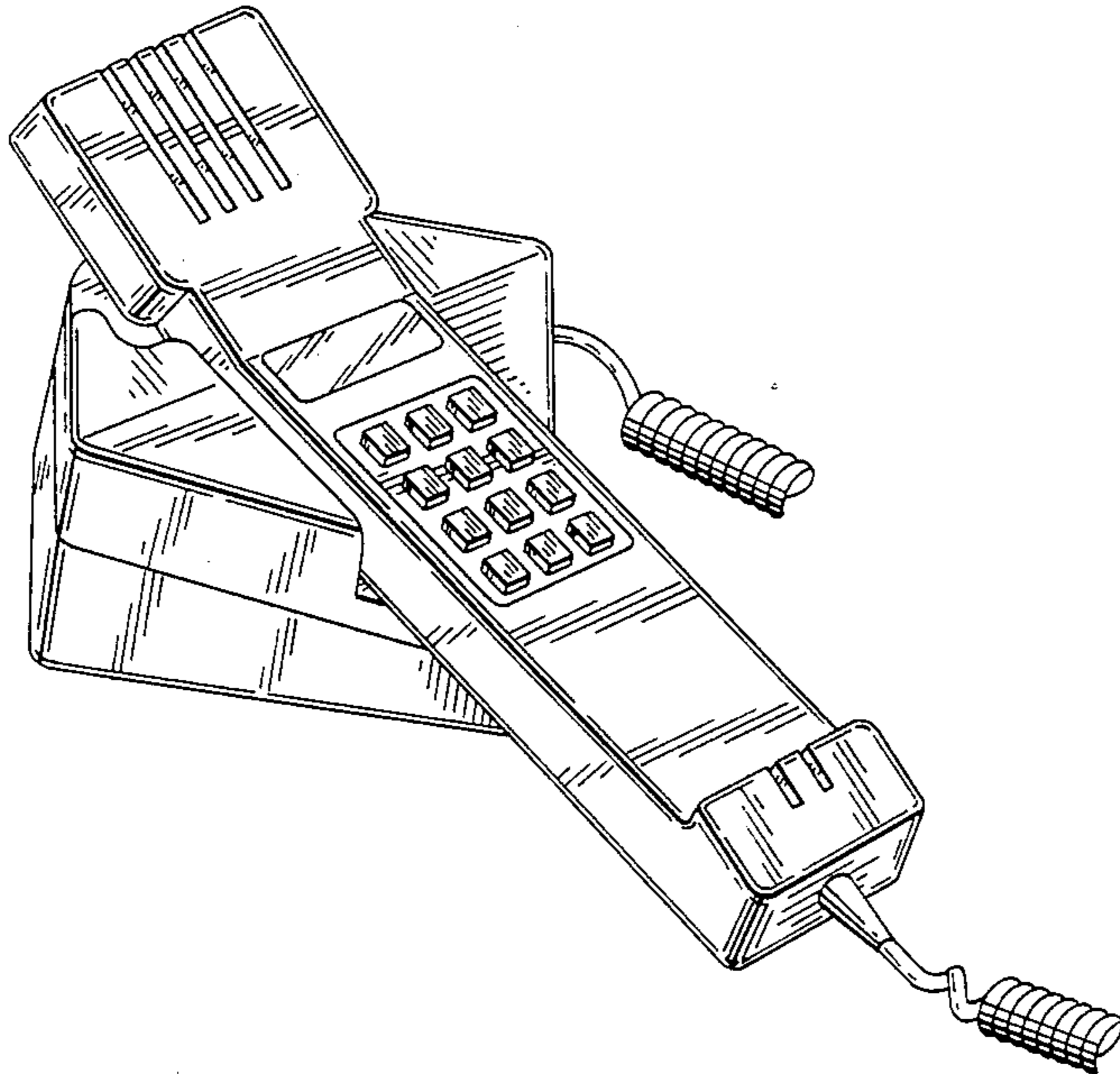
FIG. 1 is a front and top perspective view of a telephone set showing my new design with the receiver in normal cradled position;

FIG. 2 is a front perspective view of the telephone stand with the handset inverted and set upon the stand;

FIGS. 3 and 6 are respectively right and left side elevational views of the telephone set in normal cradled position;

FIGS. 4 and 7 are respectively top and bottom plan views of the set in normal cradled position; and

FIGS. 5 and 8 are respectively front and rear elevational views thereof.



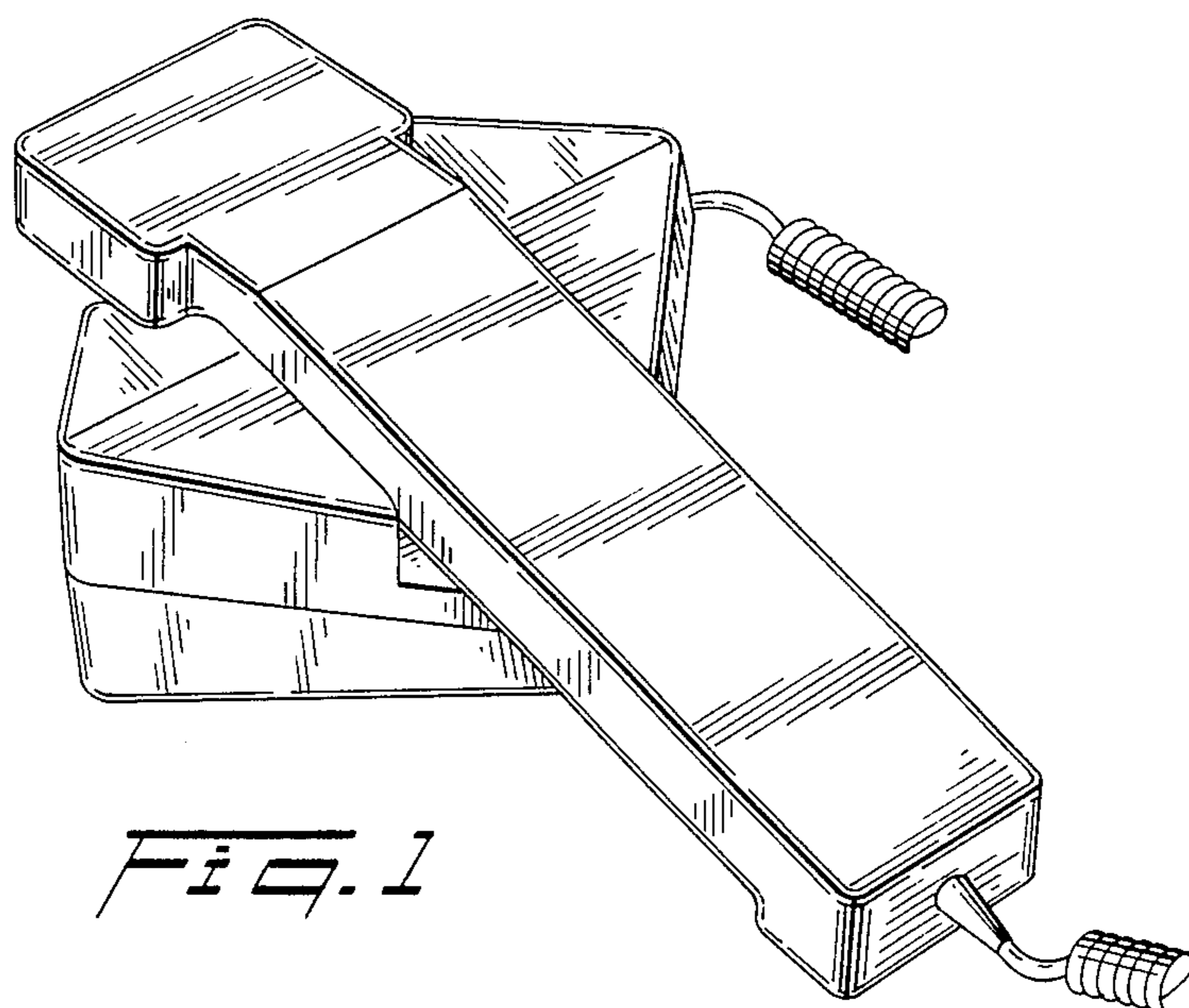


FIG. 1

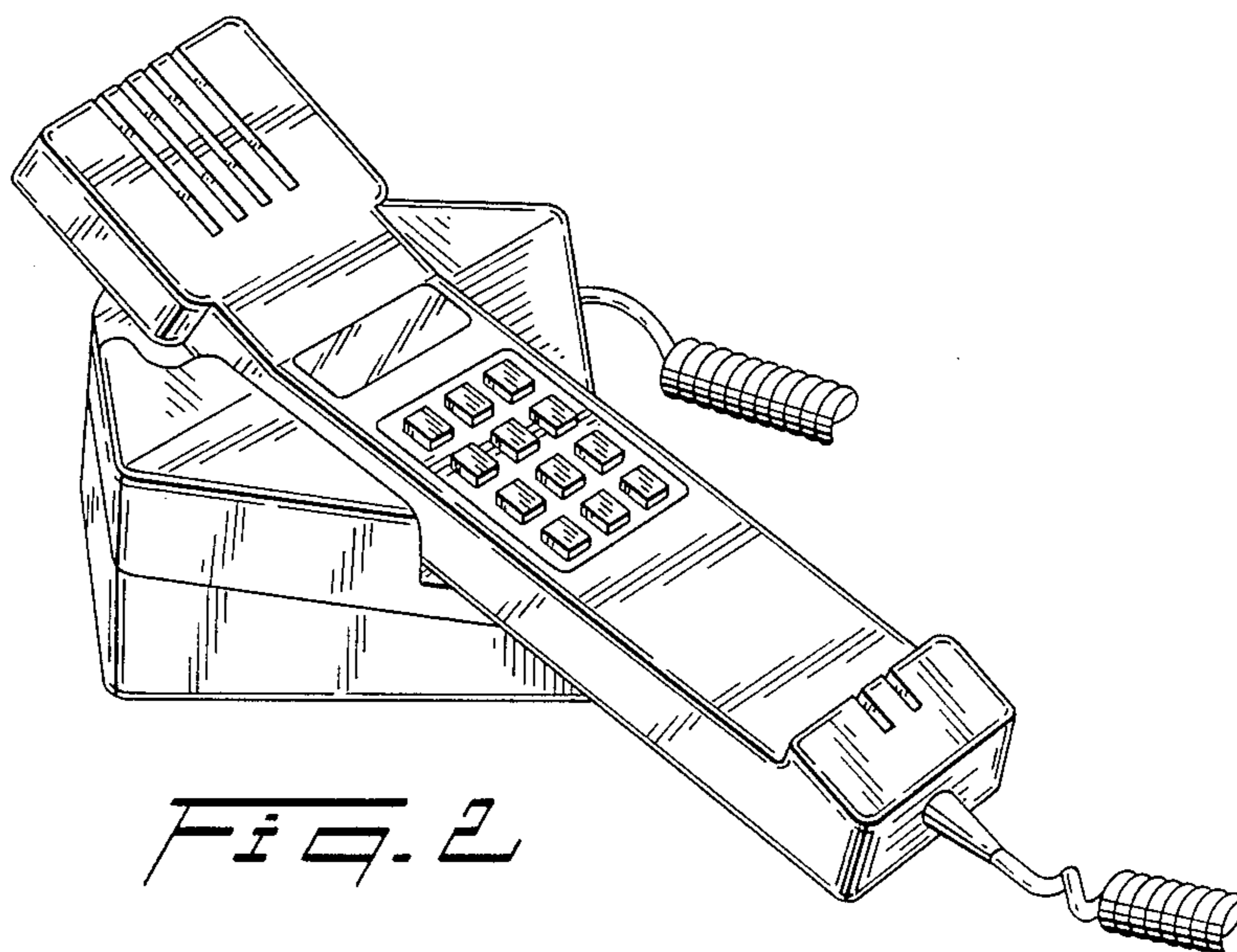


FIG. 2

Fig. 3

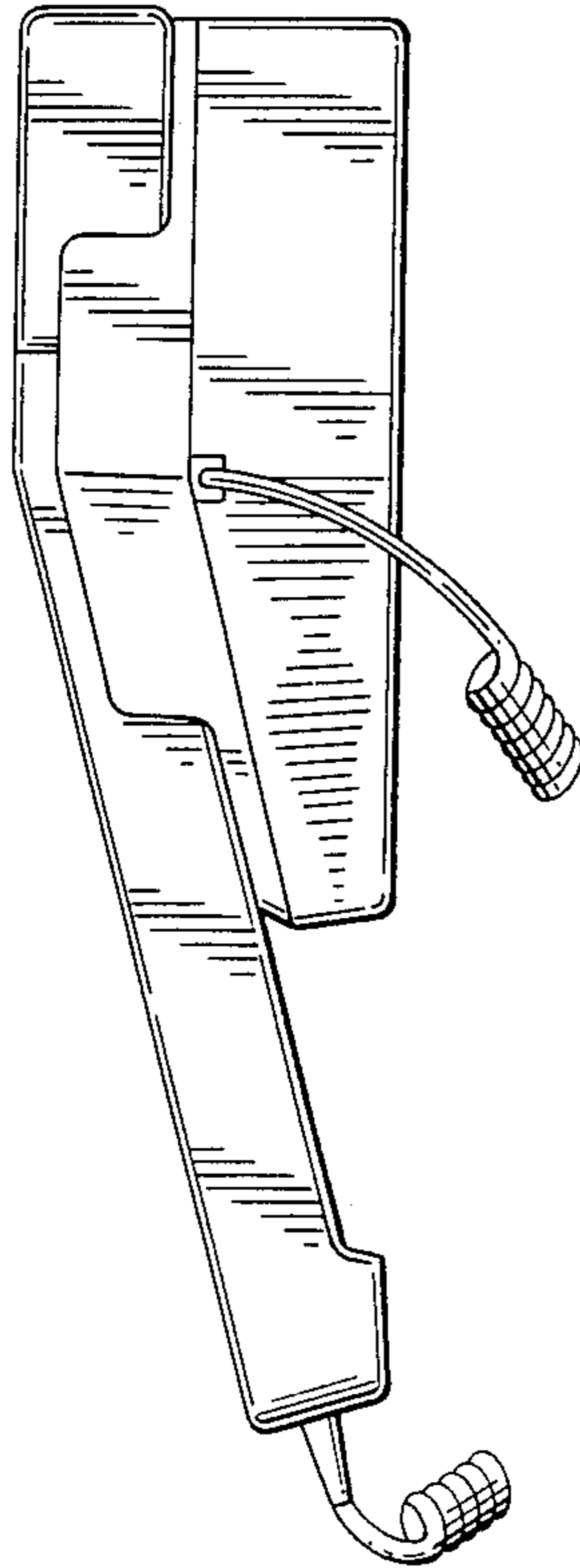


Fig. 4

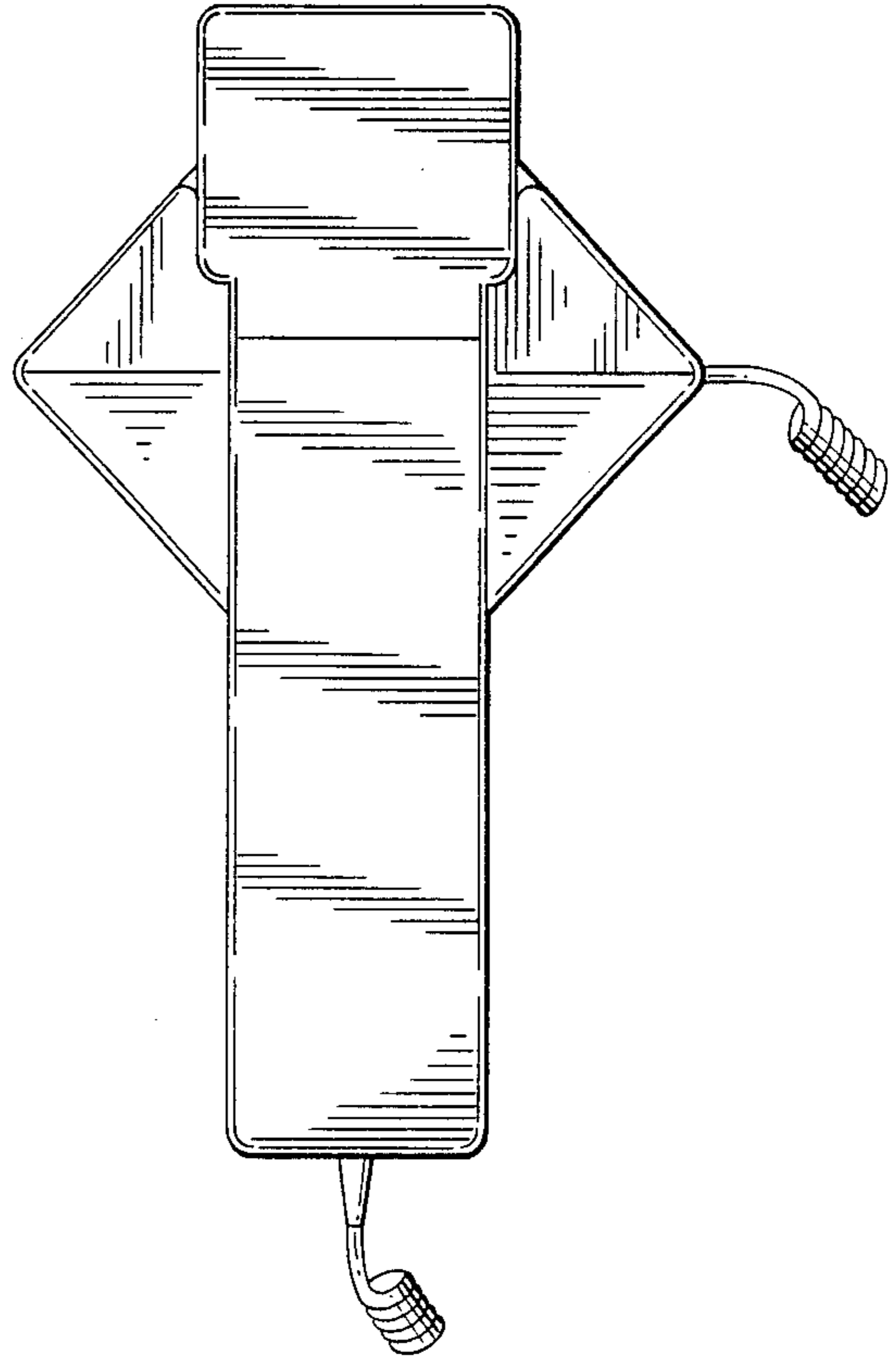


Fig. 5

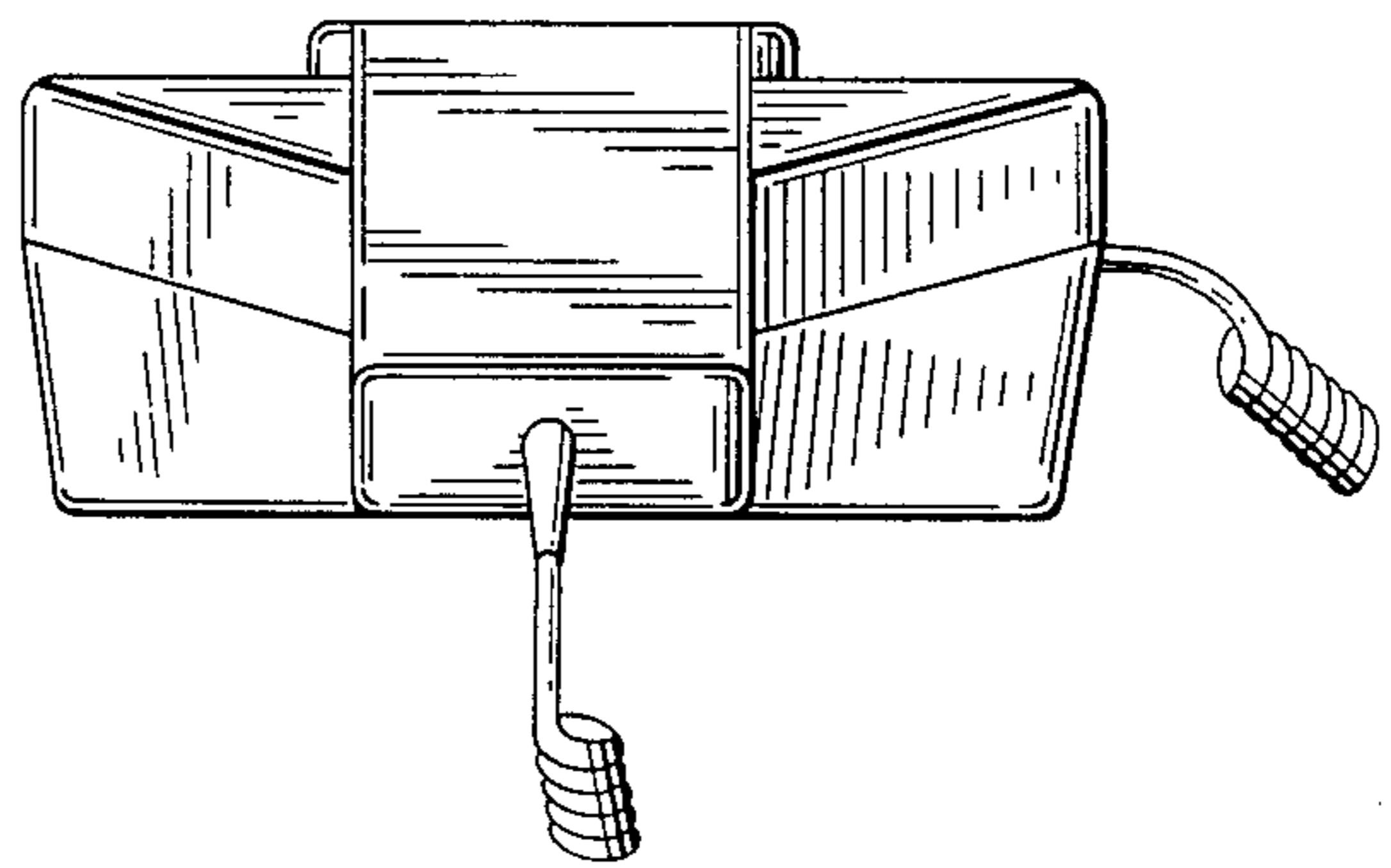


Fig. 6

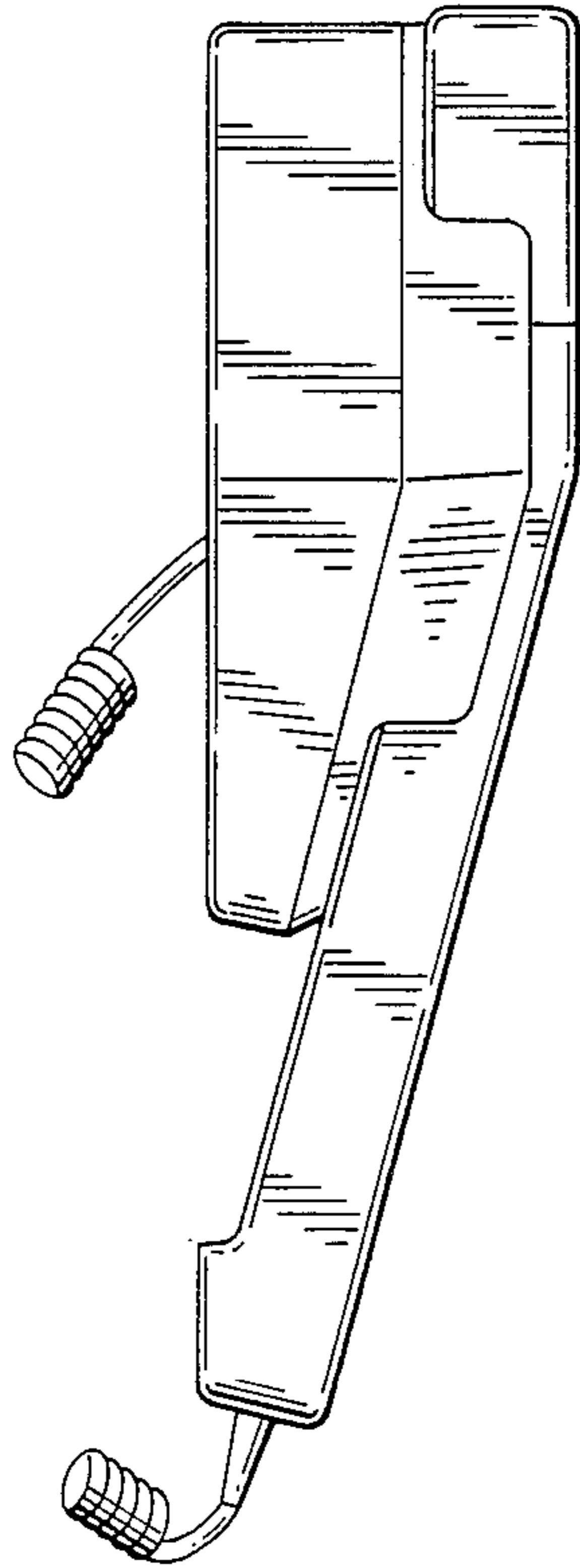


Fig. 7

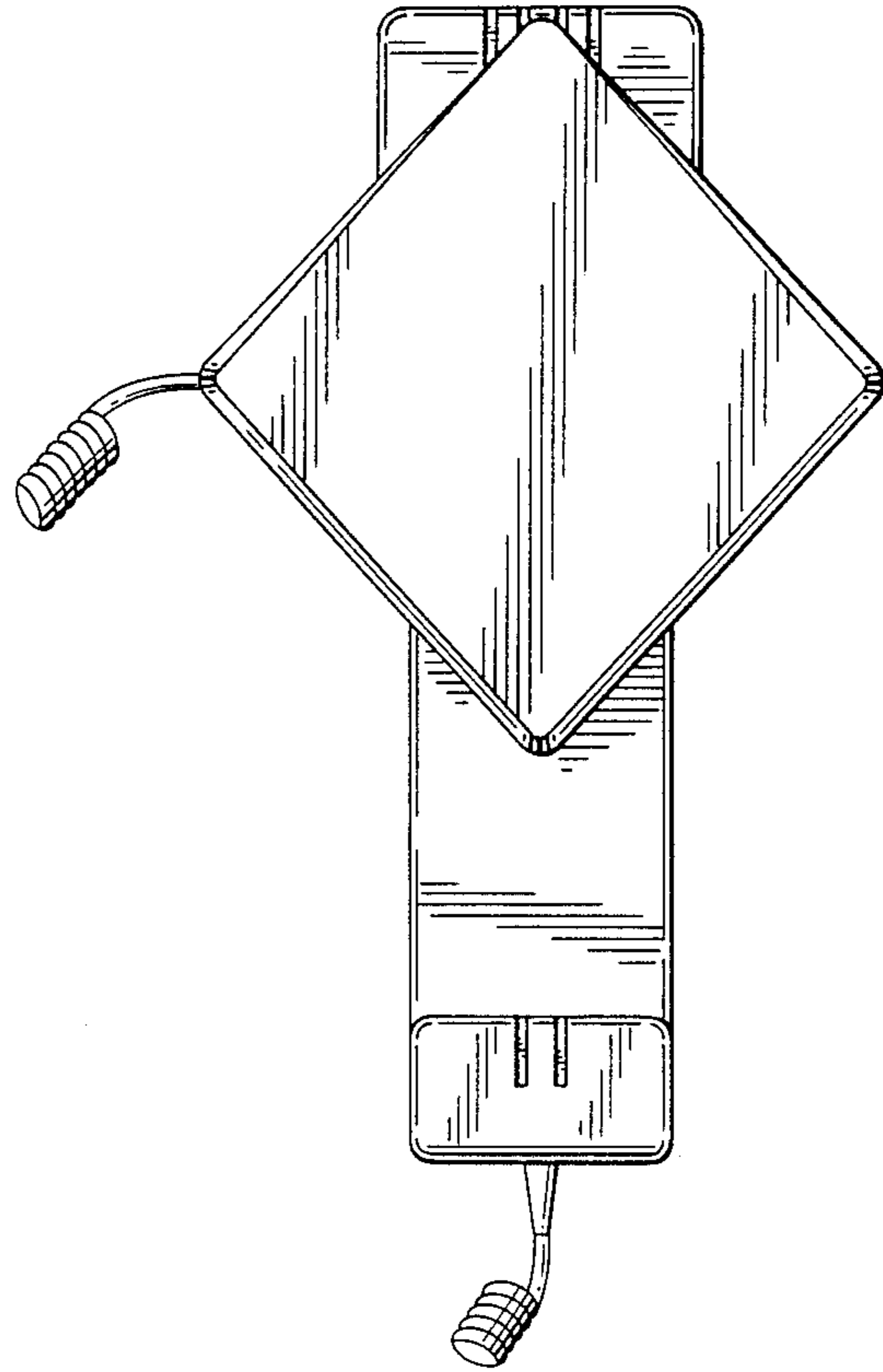


Fig. 8

