

[54] **HOUSING A TRANSPORTABLE CELLULAR TELEPHONE**

[75] **Inventor: Richard Culbertson, Lynchburg, Va.**

[73] **Assignee: General Electric Company, Lynchburg, Va.**

[**] **Term: 14 Years**

[21] **Appl. No.: 234,827**

[22] **Filed: Aug. 22, 1988**

[52] **U.S. Cl. D14/138; 379/440**

[58] **Field of Search D14/138; D13/8; 379/440, 58, 59, 428, 419, 420; 455/89, 90**

[56] **References Cited**

U.S. PATENT DOCUMENTS

D. 142,873	11/1945	Knorr	D14/138
D. 202,109	8/1965	de Kam	D14/137
D. 220,960	6/1971	Herbertson	D14/138
D. 221,233	7/1971	Huszar .	
D. 226,316	2/1973	Seiden	D14/137
D. 234,974	4/1975	Kawamura et al. .	
D. 261,886	11/1981	Fukushima et al.	D14/138
D. 263,703	4/1982	Fukushima et al.	D14/138
D. 263,706	4/1982	Fukushima et al.	D14/138
D. 267,249	12/1982	Fukushima et al.	D14/138
D. 282,169	1/1986	Larson .	
D. 294,484	3/1988	Kellett et al.	D13/8
D. 300,920	5/1989	Niecke	D13/8
2,574,167	11/1951	Breisch .	
2,935,606	5/1960	Harrison et al. .	
2,984,740	5/1961	Madland et al. .	
3,824,465	7/1974	Blough .	
4,057,757	11/1977	Darden, Jr. .	
4,881,258	11/1989	Kaiwa et al.	379/440 X

FOREIGN PATENT DOCUMENTS

0119333	5/1988	Japan	379/436
---------	--------	-------------	---------

OTHER PUBLICATIONS

- "Panasonic EB-362 Cellular Transportable Phone", brochure, Panasonic.
- "Panasonic Cellular Mobilephone, Car Mount Type EB-310/311, Transportable Type EB-362", brochure, Panasonic.
- "Cellular Mobile Telephone", Model 402, brochure, NovAtel Carcom, Inc.

"The Bridge and the Span, Cellular Data Modems", brochure, NovAtel Communications Ltd.

"Cellular Mobile Telephone", Model 403, brochure, NovAtel.

"Keep in Touch, Cellular Portable Telecommunications, MESA 80X", DiamondTel® Mitsubishi, Communications Associates Inc.

"Keep in Touch, Cellular Mobile Communications, MESA 52", DiamondTel® Mitsubishi, Communications Associates Inc.

"Keep in Touch, Cellular Mobile/Transportable Telecommunications, MESA 55", brochure, DiamondTel® Mitsubishi, Communications Associates Inc.

"Commander II Cellular Mobile Telephone", brochure, Fujitsu America, Inc.

"Oki CDL 491 Cellular Transportable Telephone", brochure, Oki Telecom.

"Oki CDL 490 Cellular Mobile Telephone", brochure, Oki Telecom.

"Oki CDL 420 Cellular Mobile Telephone", brochure, Oki Telecom.

"Oki CDL 350 Lightweight, Self-Contained Portable Cellular Telephone", brochure, Oki Telecom.

"Power Tool, The Commander II Cellular Mobile Telephone", brochure, Fujitsu America, Inc.

"You Can Have Mobira This Way", brochure, Nokia Mobira.

"Nokia M-10 Mobile Telephone, The Nokia M-10 Proven, Dependable, Affordable Technology", brochure, Nokia-Mobira.

"Mobira 500 Series, The Mobira Handportable, Its Compact Size Will Intrigue You, Its Features Will Amaze You", brochure, Nokia-Mobira.

"Mobira 400 Series, The Mobira 400 Series, Sophistication Makes it Simple", brochure, Nokia-Mobira.

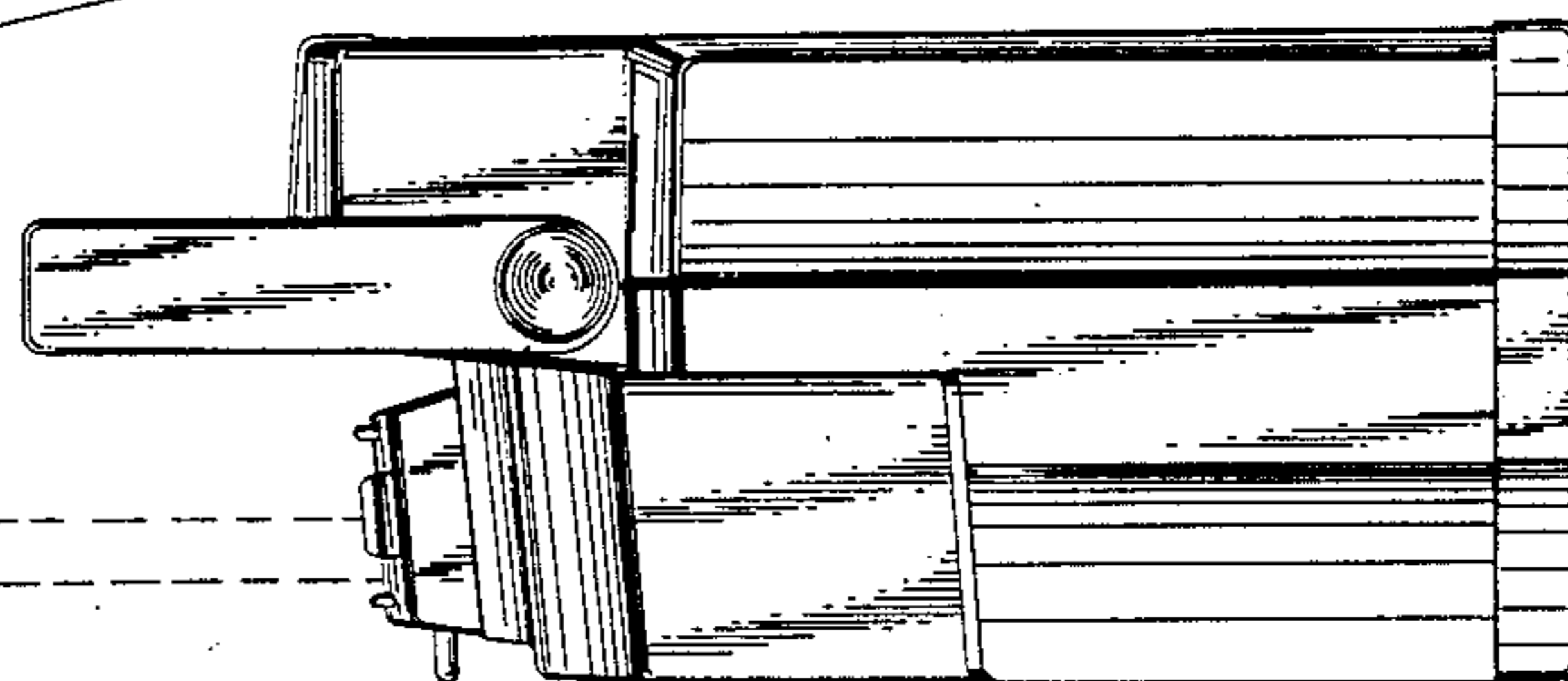
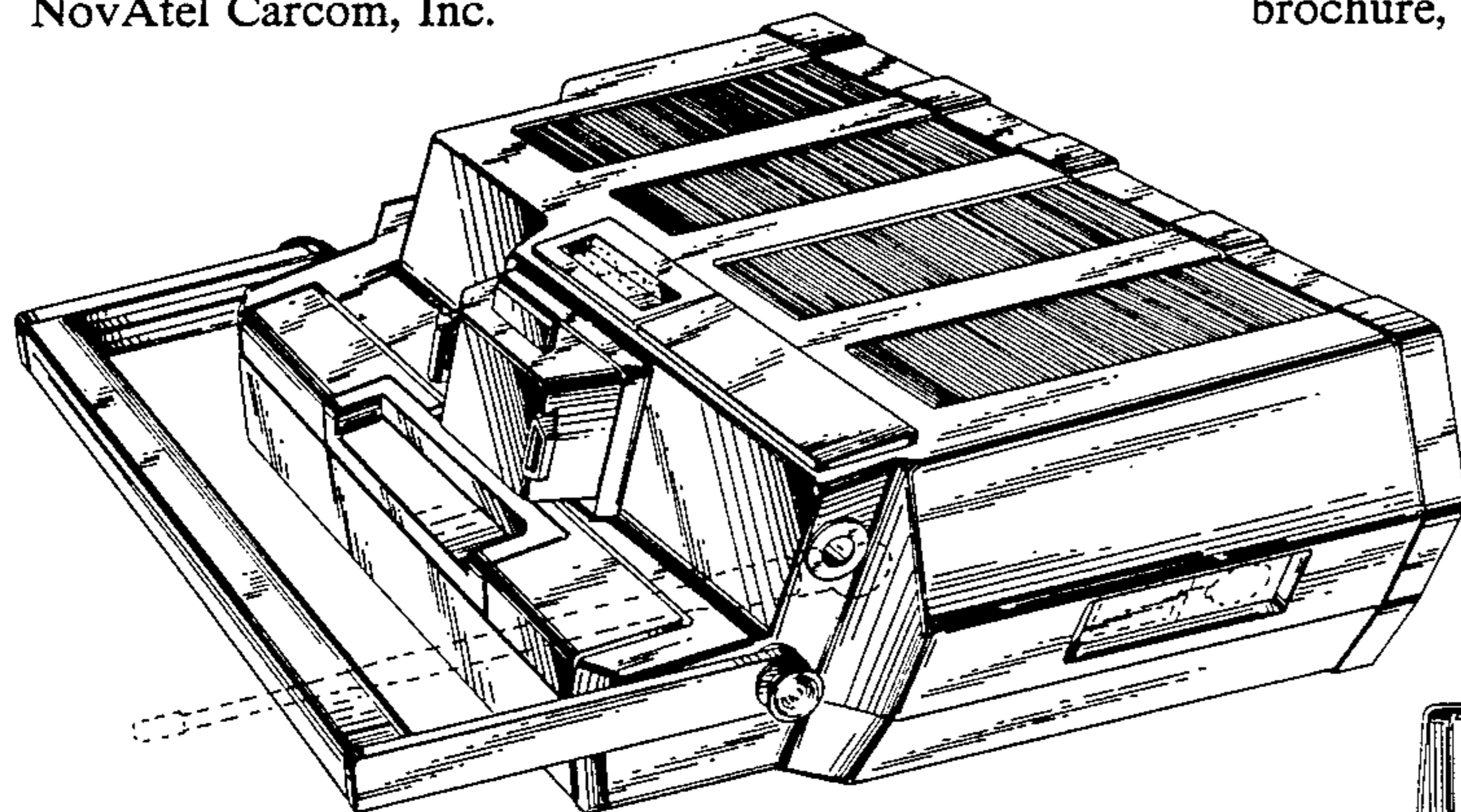
"New Nokia Brand Expands Nokia-Mobira Product Line", brochure, Nokia-Mobira.

"Some Milestones in Mobira's Cellular Radio History", brochure, Nokia-Mobira.

"**400 Series News**", The Enhanced 400 Series Phone at Special Introductory Pricing", brochure, Nokia-Mobira.

"NovAtel Cellular Handheld Telephone Features", brochure, NovAtel Carcom.

"New Softpack Transportable from NovAtel Carcom", brochure, NovAtel Carcom.



"The NEC Cellular Mobile Telephone", brochure, C&C Computers and Communications, NEC America, Inc.

"BC-40 Cellular Telephone", brochure, Audiovox Corporation.

"BC-45 Cellular Telephone", brochure, Audiovox Corporation.

"CMT-1700 Transportable Cellular Telephone", brochure, Audiovox Corporation.

"CMT-550 Cellular Telephone", Audiovox Corporation.

"PC-200 Handheld Portable Cellular Telephone", brochure, Audiovox Corporation.

"Hitachi Portable Cellular Phones, CR-2111H/CR111H", brochure, Hitachi Sales Corporation of America.

Primary Examiner—Horace B. Fay, Jr.
Attorney, Agent, or Firm—Nixon & Vanderhye

[57]

CLAIM

The ornamental design for a housing for a transportable cellular telephone, as shown and described.

DESCRIPTION

FIG. 1 is a left side, top and front perspective view of a housing for a transportable cellular telephone showing my new design;

FIG. 2 is a front elevational view thereof;

FIGS. 3 and 4 are, respectively top and bottom plan views thereof;

FIGS. 5 and 6 are respective left and right end elevational views thereof; and

FIG. 7 is a rear elevational view thereof.

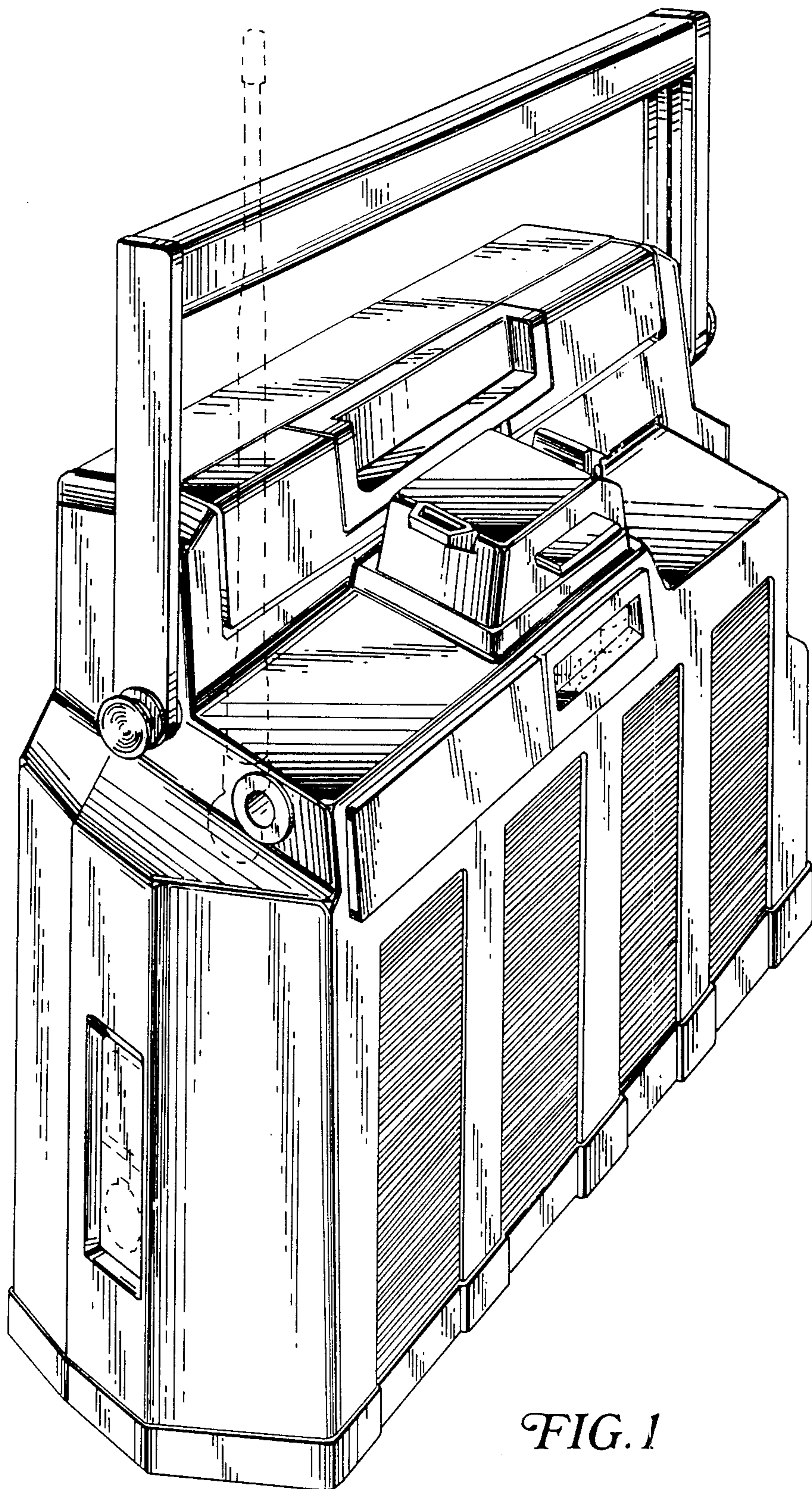


FIG. 1

FIG. 2

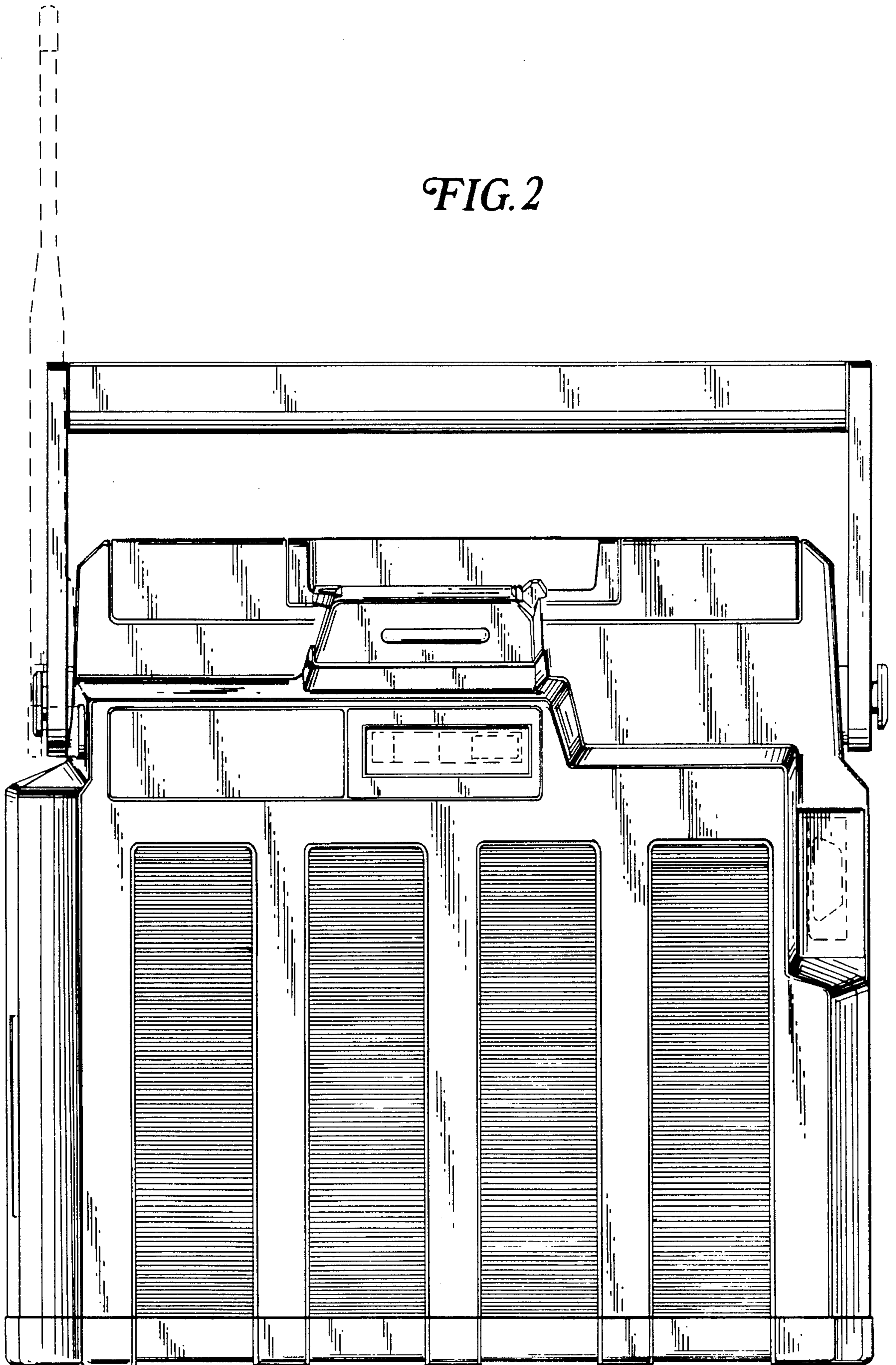


FIG. 3

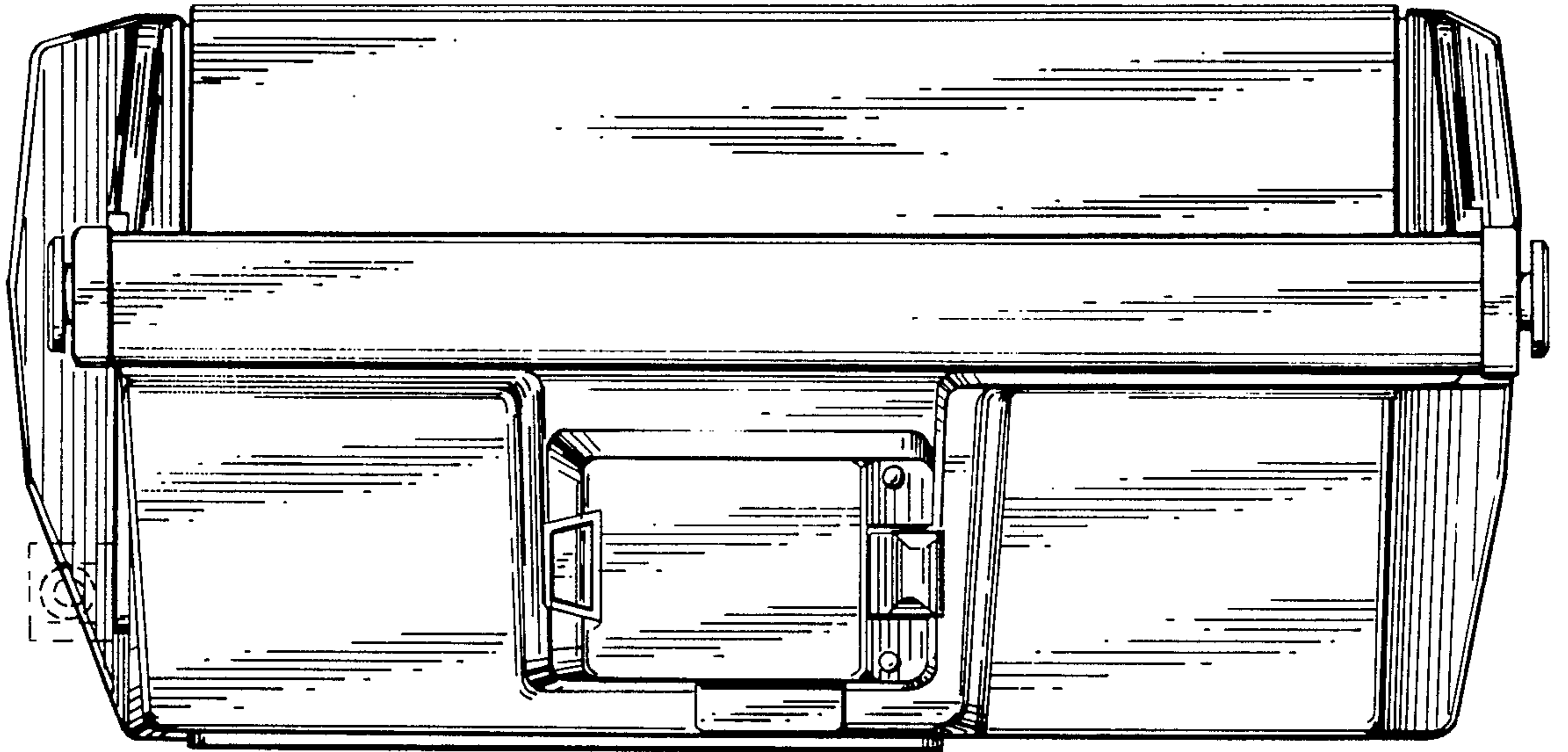


FIG. 4

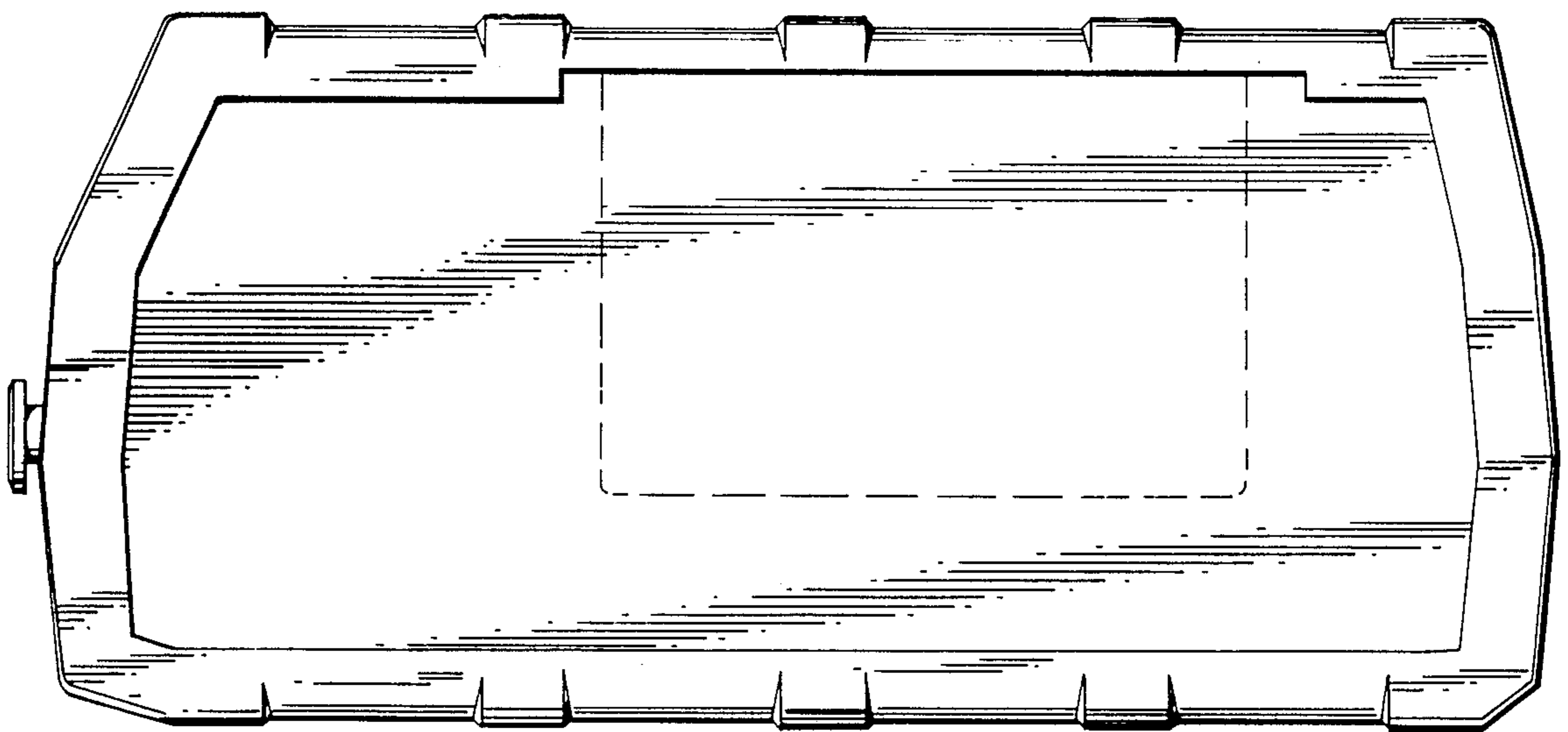


FIG. 5

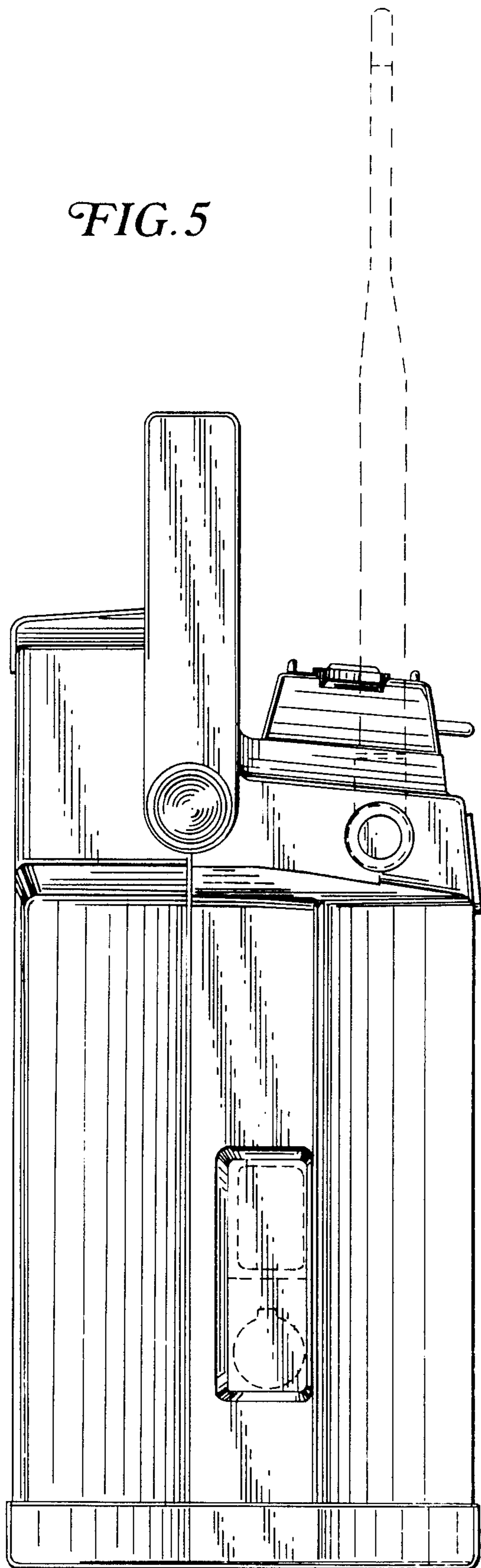


FIG. 6

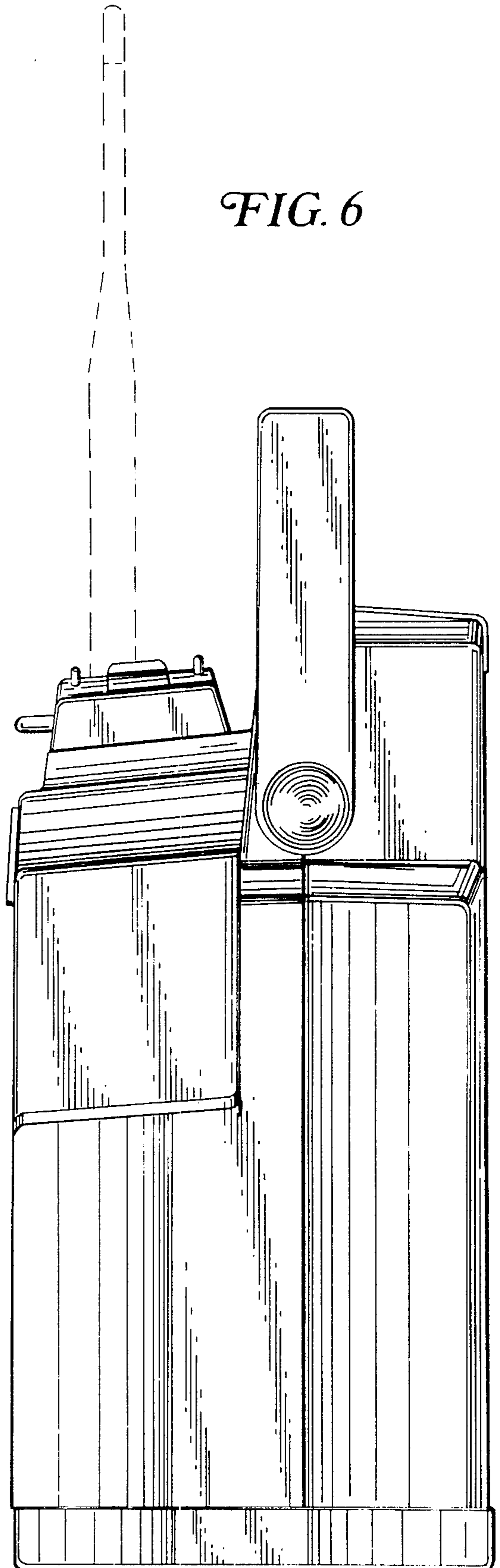


FIG. 7

