

United States Patent [19]

Furuya

[11] Patent Number: Des. 312,632

[45] Date of Patent: ** Dec. 4, 1990

[54] FACSIMILE MACHINE

[75] Inventor: Keiji Furuya, Hamamatsu, Japan

[73] Assignee: Nissei Opto Co., Ltd., Hamamatsu, Japan

[**] Term: 14 Years

[21] Appl. No.: 174,028

[22] Filed: Mar. 28, 1988

[30] Foreign Application Priority Data

Sep. 29, 1987 [JP] Japan 62-39869

[52] U.S. Cl. D14/118

[58] Field of Search D14/118, 141, 248, 165;
D18/36, 37; 358/400, 401

[56] References Cited

U.S. PATENT DOCUMENTS

D. 268,582 4/1983 Kikuchi D14/118
D. 279,002 5/1985 Labuda et al. D14/165

D. 295,750 5/1988 Imai D14/118 X
D. 304,204 10/1989 Wada et al. D18/37
D. 304,832 11/1989 Murphy D14/165

OTHER PUBLICATIONS

HFD; 08/03/87; p. 74; top center—CBM America Corp.
Battery Operated Fax.

Primary Examiner—Theodore M. Shooman

[57] CLAIM

The ornamental design for a facsimile machine, as shown.

DESCRIPTION

FIG. 1 is a top, front and right side perspective view of a facsimile machine showing my new design; FIG. 2 is a front elevational view thereof; FIG. 3 is a right side elevational view thereof; FIG. 4 is a left side elevational view thereof; FIG. 5 is a top plan view thereof; FIG. 6 is a rear elevational view thereof, and FIG. 7 is a bottom plan view thereof.

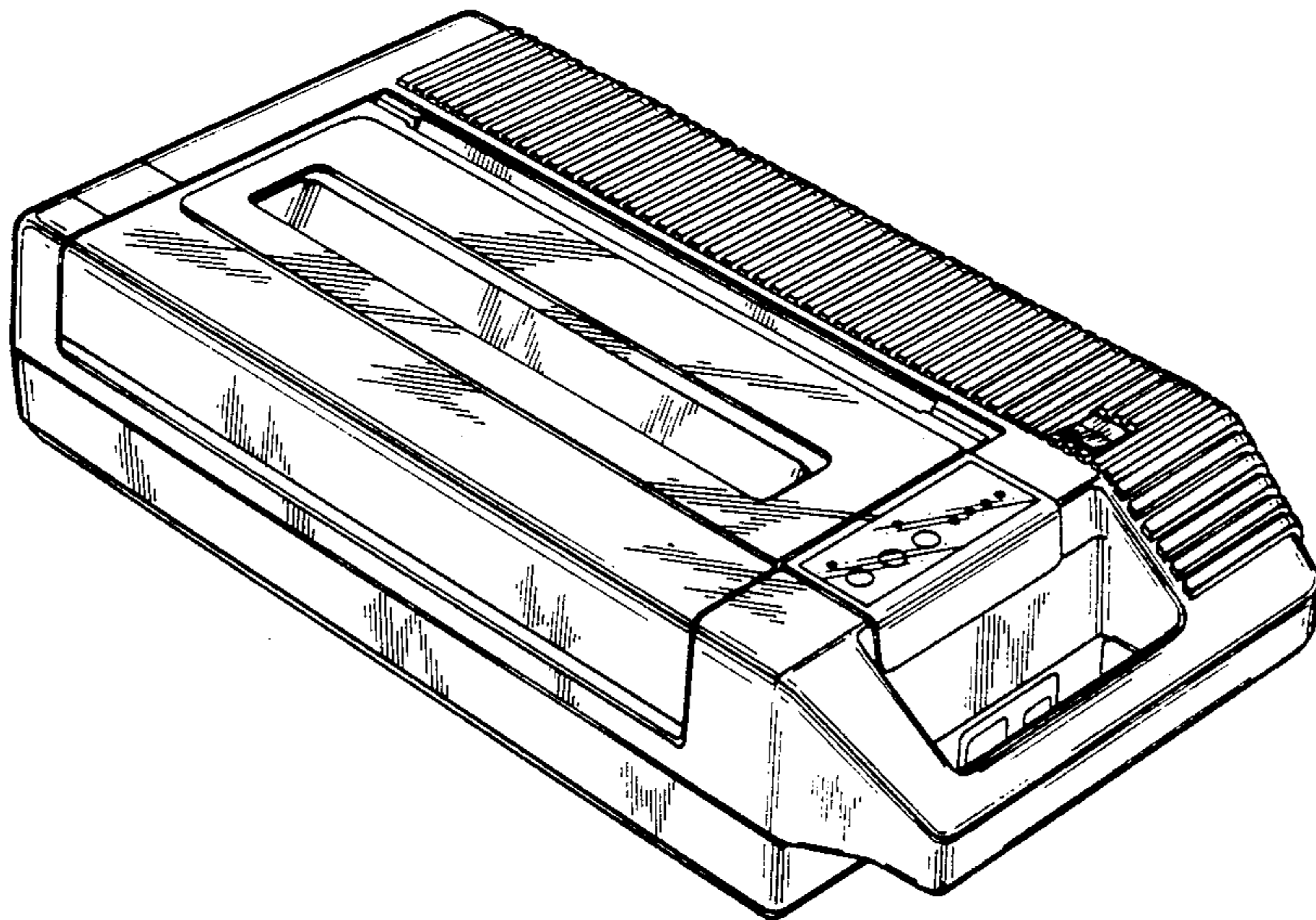


FIG. 1

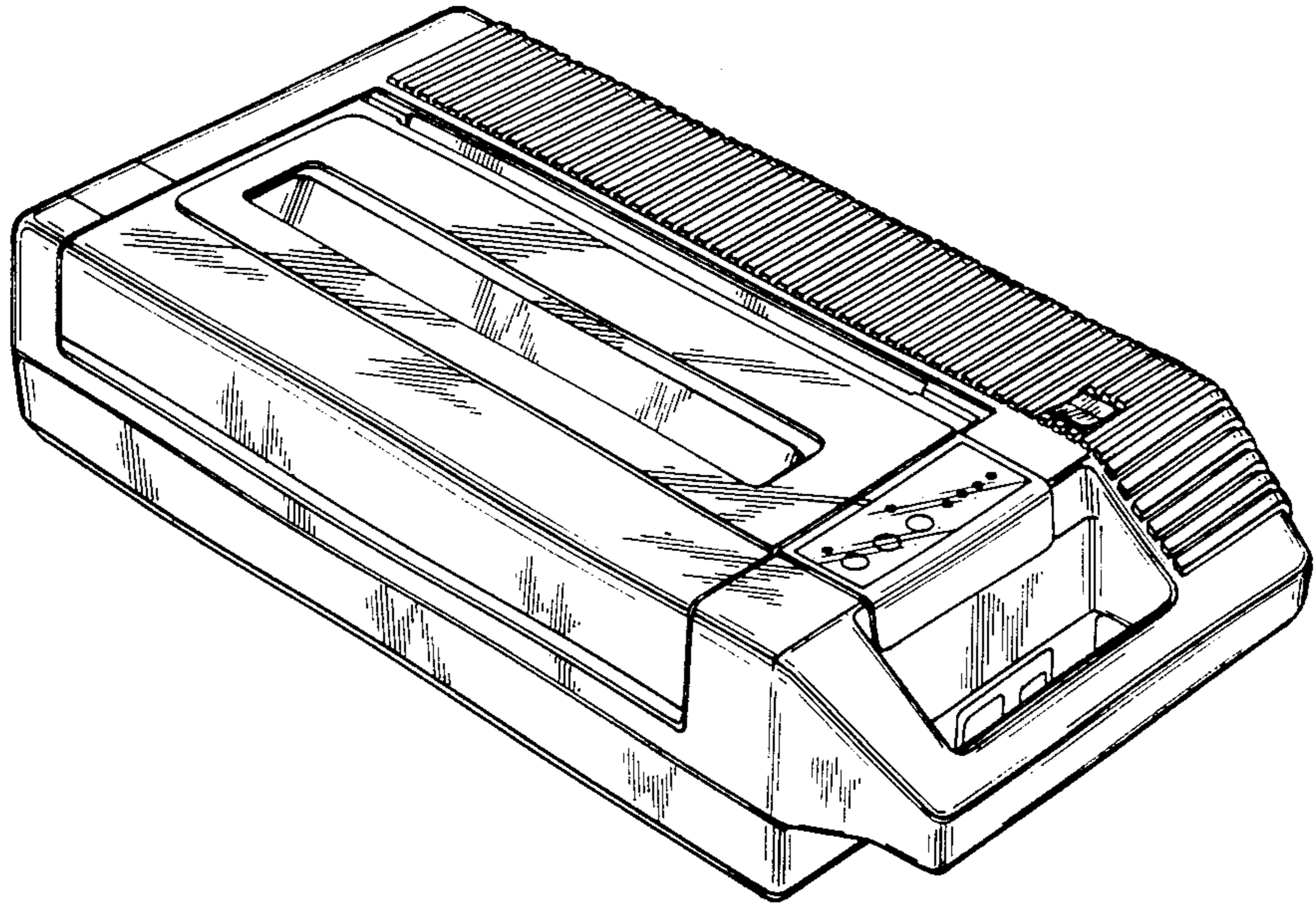


FIG. 2

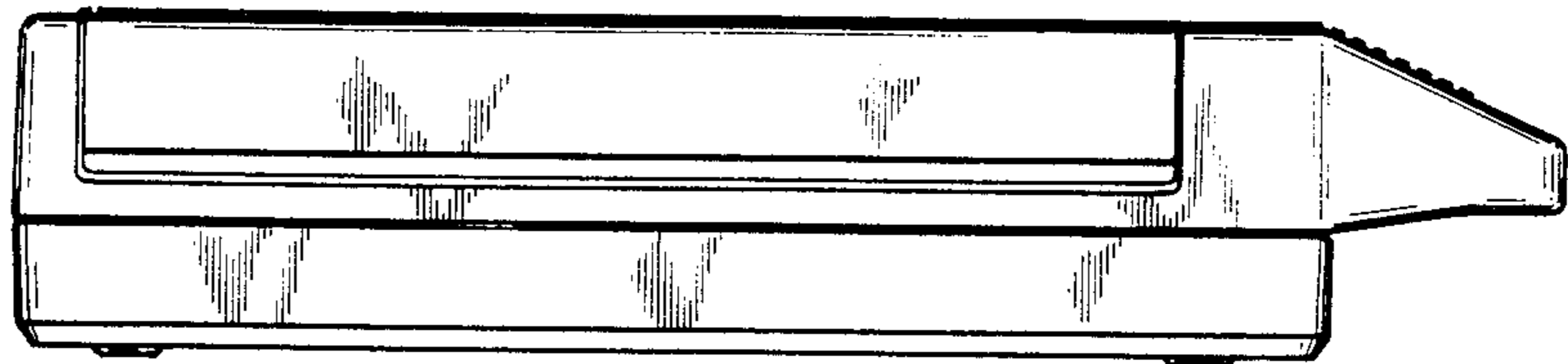


FIG. 3

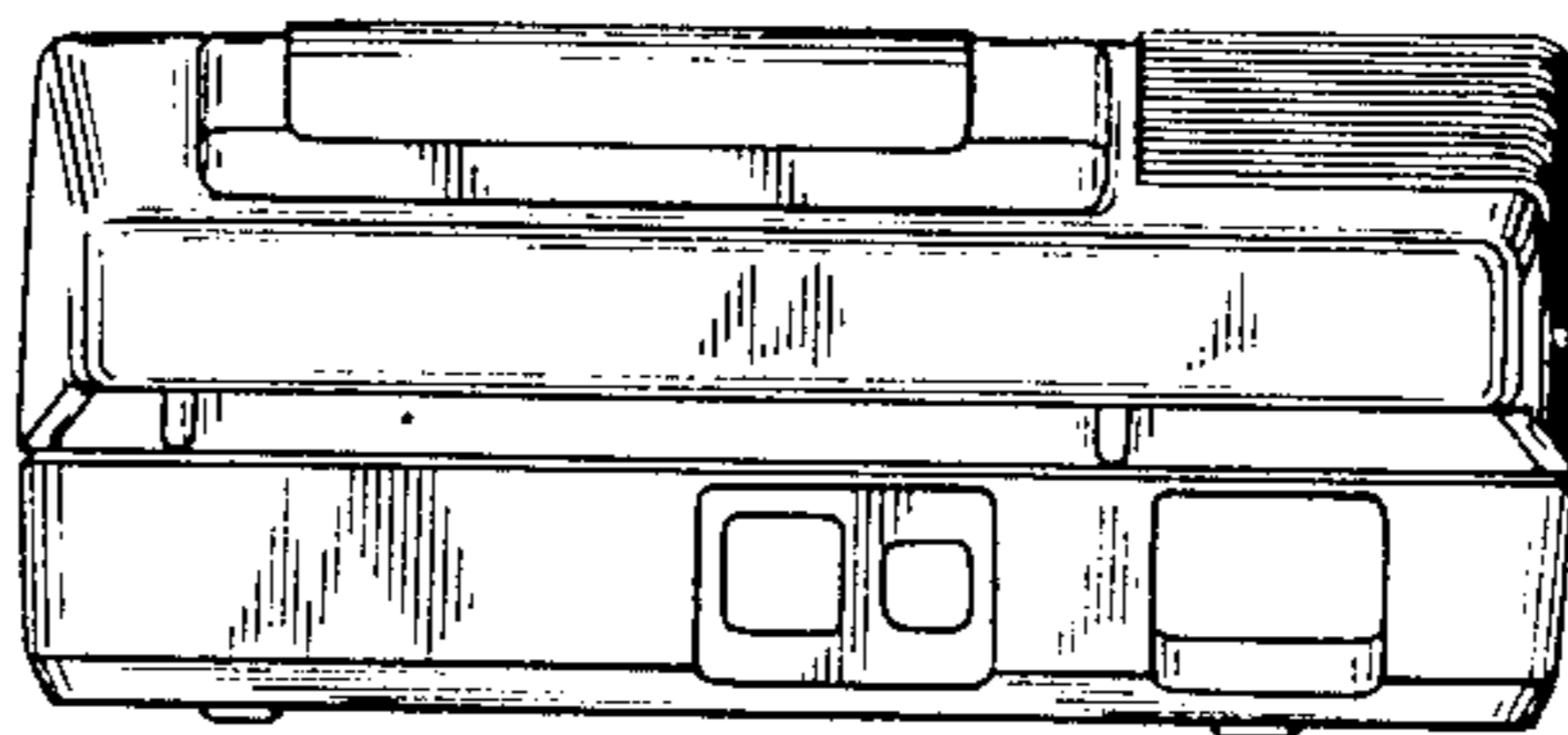


FIG. 4

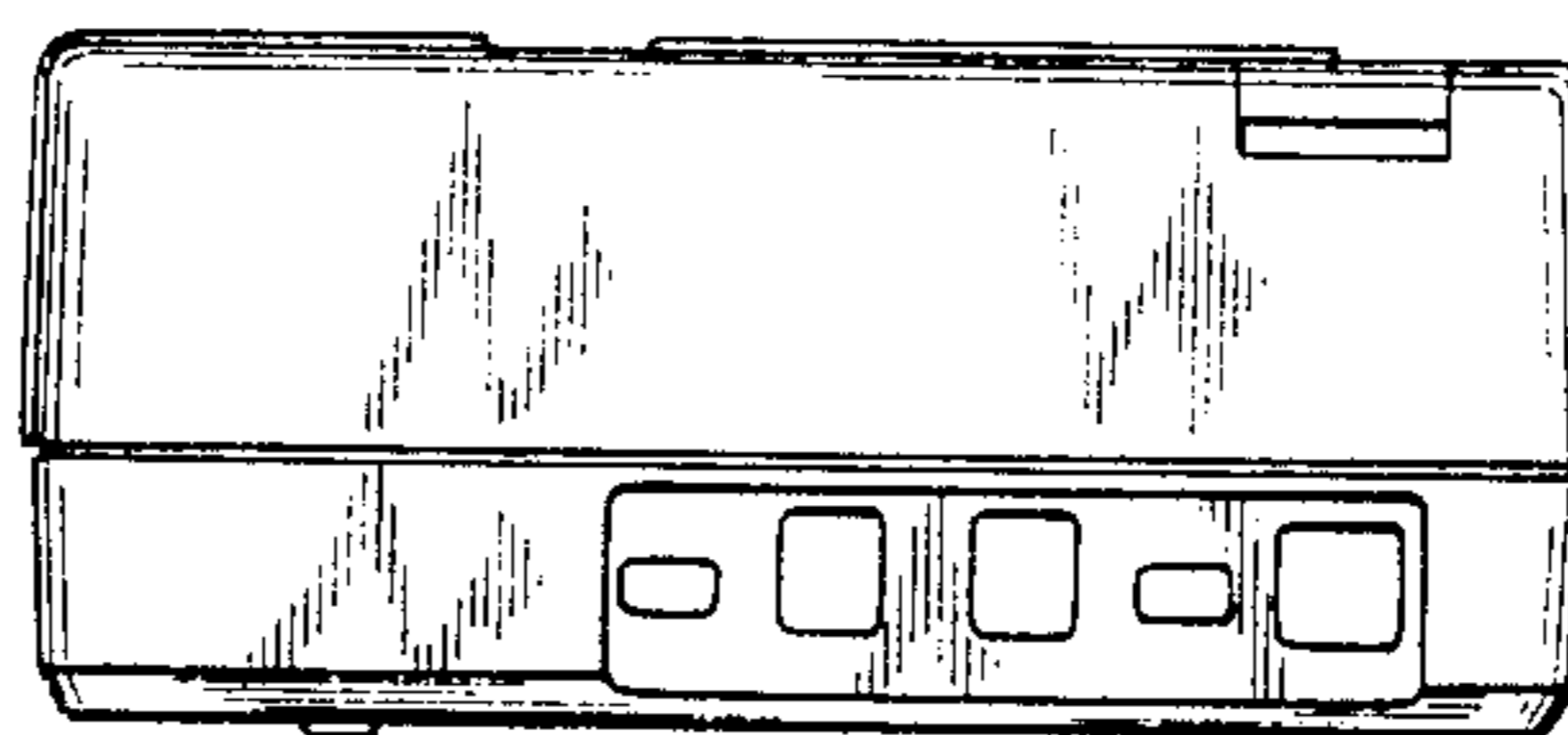


FIG. 5

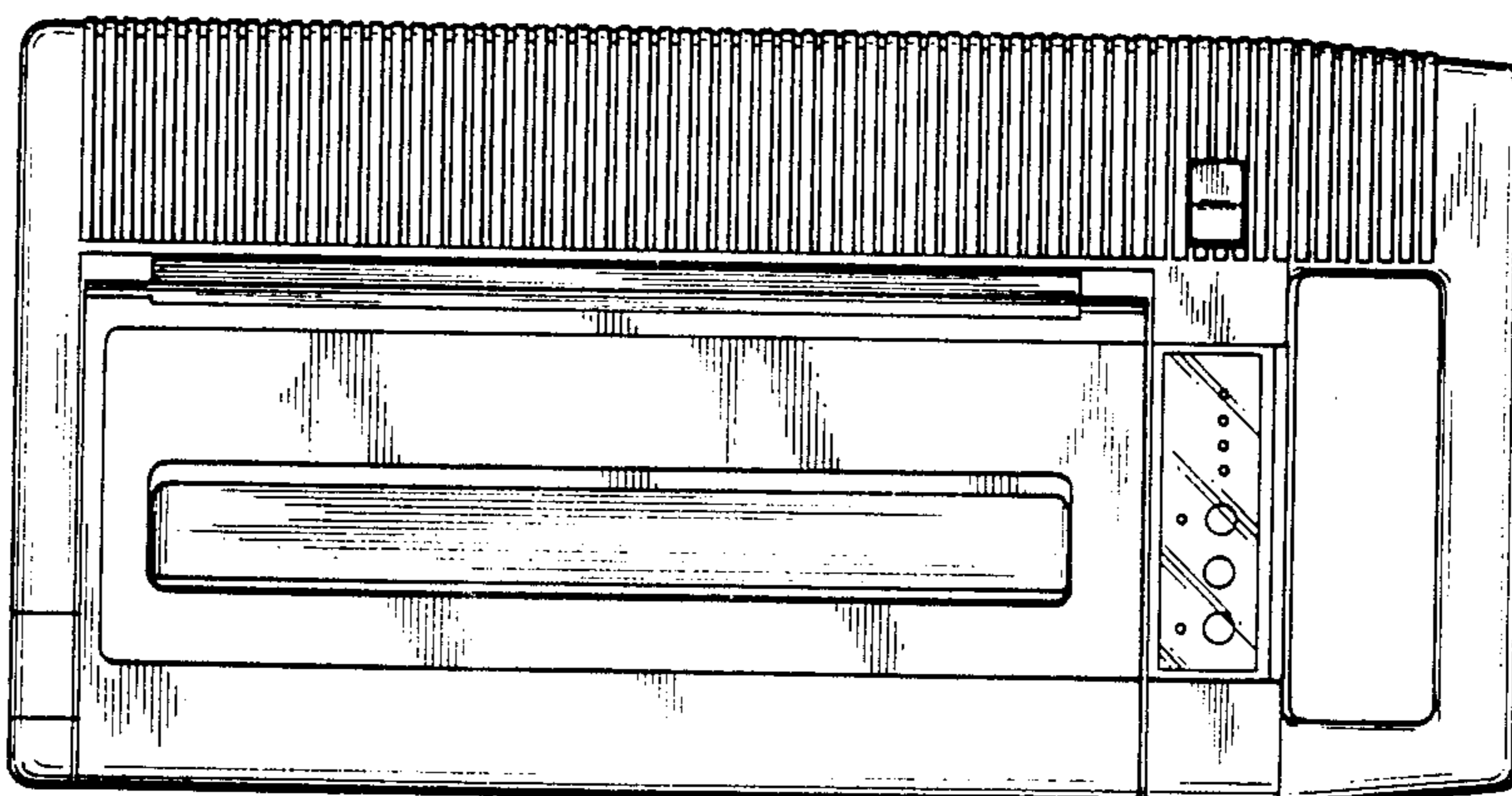


FIG. 6

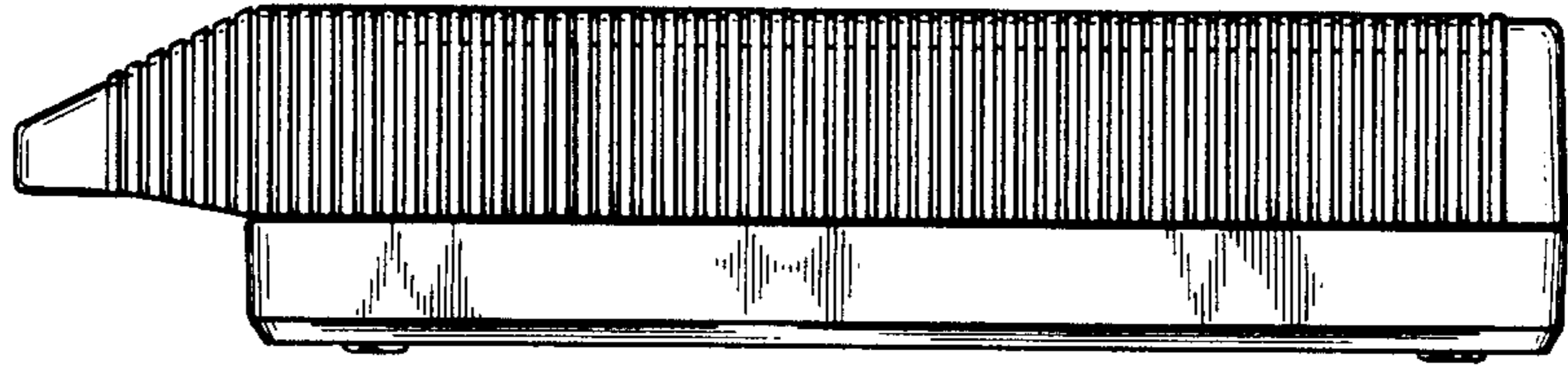


FIG. 7

