

[54] LAPTOP PERSONAL COMPUTER OR SIMILAR ARTICLE

FOREIGN PATENT DOCUMENTS

684172 8/1986 Japan D14/106

[75] Inventor: Pak-Lee Lam, Taipei, Taiwan

Primary Examiner—Wallace R. Burke
Assistant Examiner—Freda S. Nunn
Attorney, Agent, or Firm—Ladas & Parry

[73] Assignee: Quanta Computer Inc., Taipei, Taiwan

[57] CLAIM

[**] Term: 14 Years

The ornamental design for laptop personal computer or similar article, as shown and described.

[21] Appl. No.: 351,557

DESCRIPTION

[22] Filed: May 12, 1989

[52] U.S. Cl. D14/106

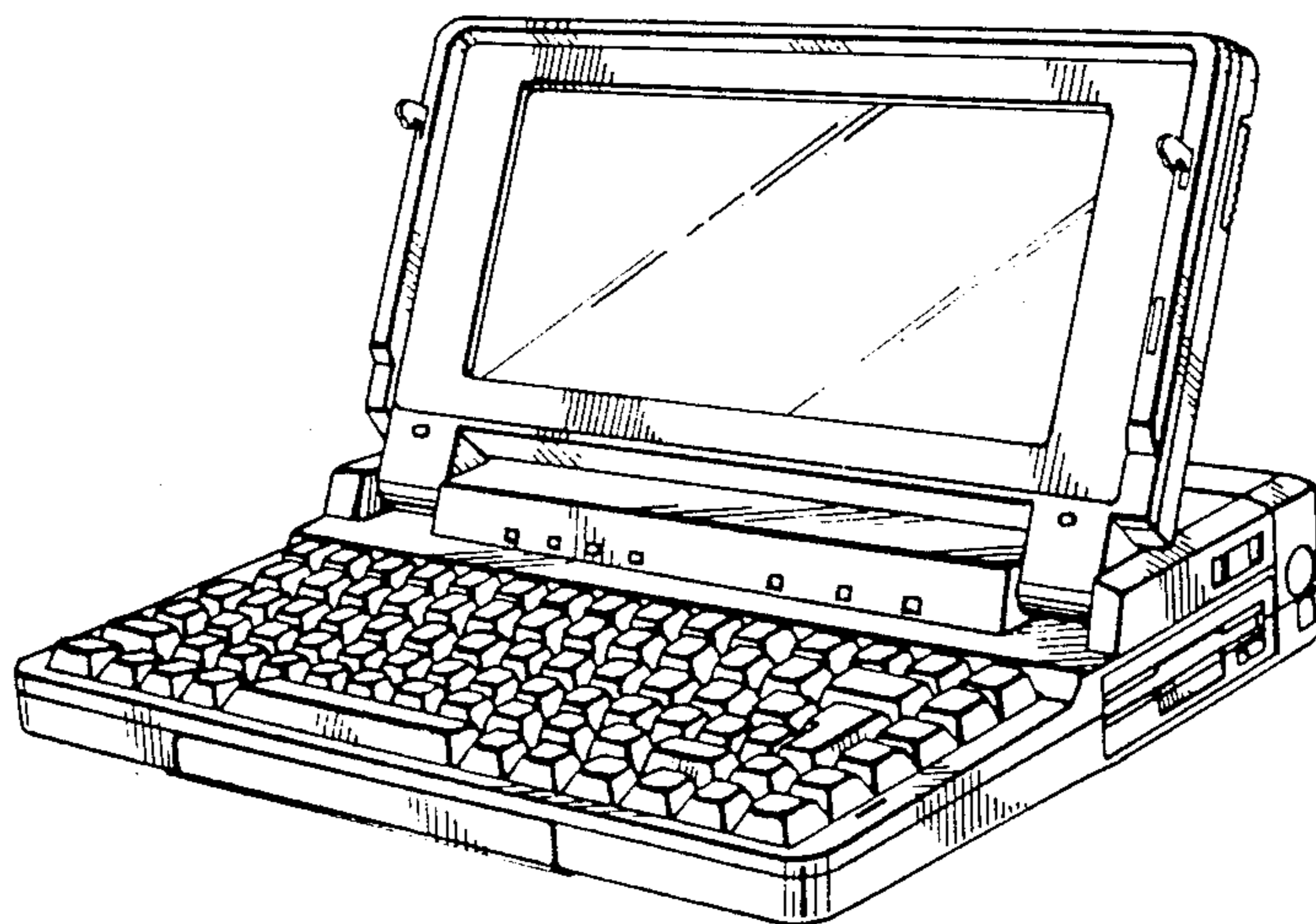
[58] Field of Search D14/100, 106, 105, 107, D14/113, 115; D18/1, 7, 11, 12; 235/145 A, 145 R; 340/700, 706, 711, 712; 341/22, 23; 358/249, 254; 364/706-710

FIG. 1 is a perspective view of laptop personal computer or similar article showing my new design; FIG. 2 is a front elevational view thereof on an enlarged scale; FIG. 3 is a rear elevational view thereof on an enlarged scale; FIG. 4 is a left side elevational view thereof on an enlarged scale; FIG. 5 is a right side elevational view thereof on an enlarged scale; FIG. 6 is a top plan view thereof on an enlarged scale; FIG. 7 is a bottom plan view thereof on an enlarged scale; FIG. 8 is a perspective view thereof with the cover closed and the carrying handle extended.

[56] References Cited

U.S. PATENT DOCUMENTS

- D. 294,831 3/1988 Hara et al. D14/106
- D. 295,176 4/1988 Nishimoto et al. D14/106
- D. 295,519 5/1988 Kimble D14/106



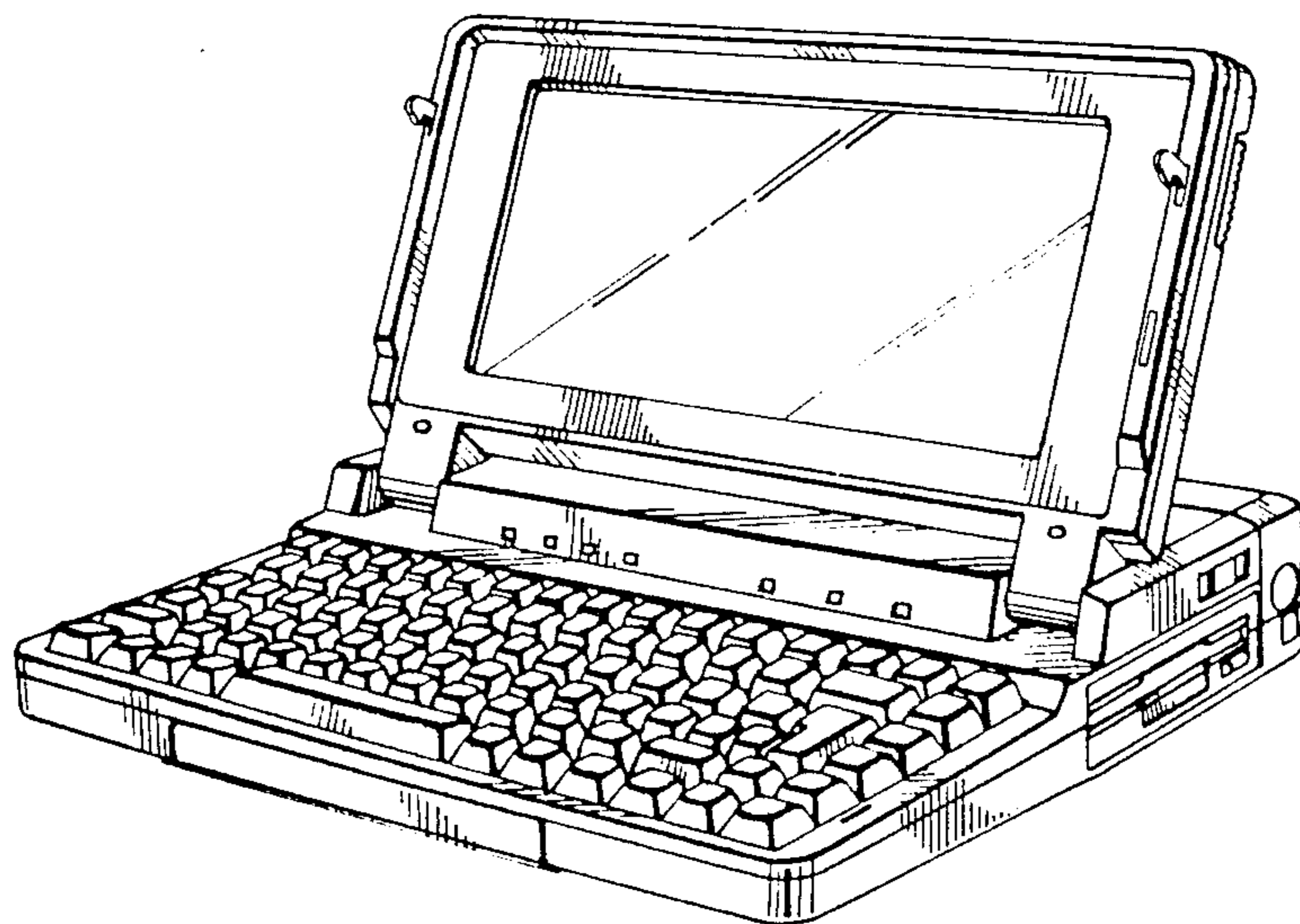


FIG. 1

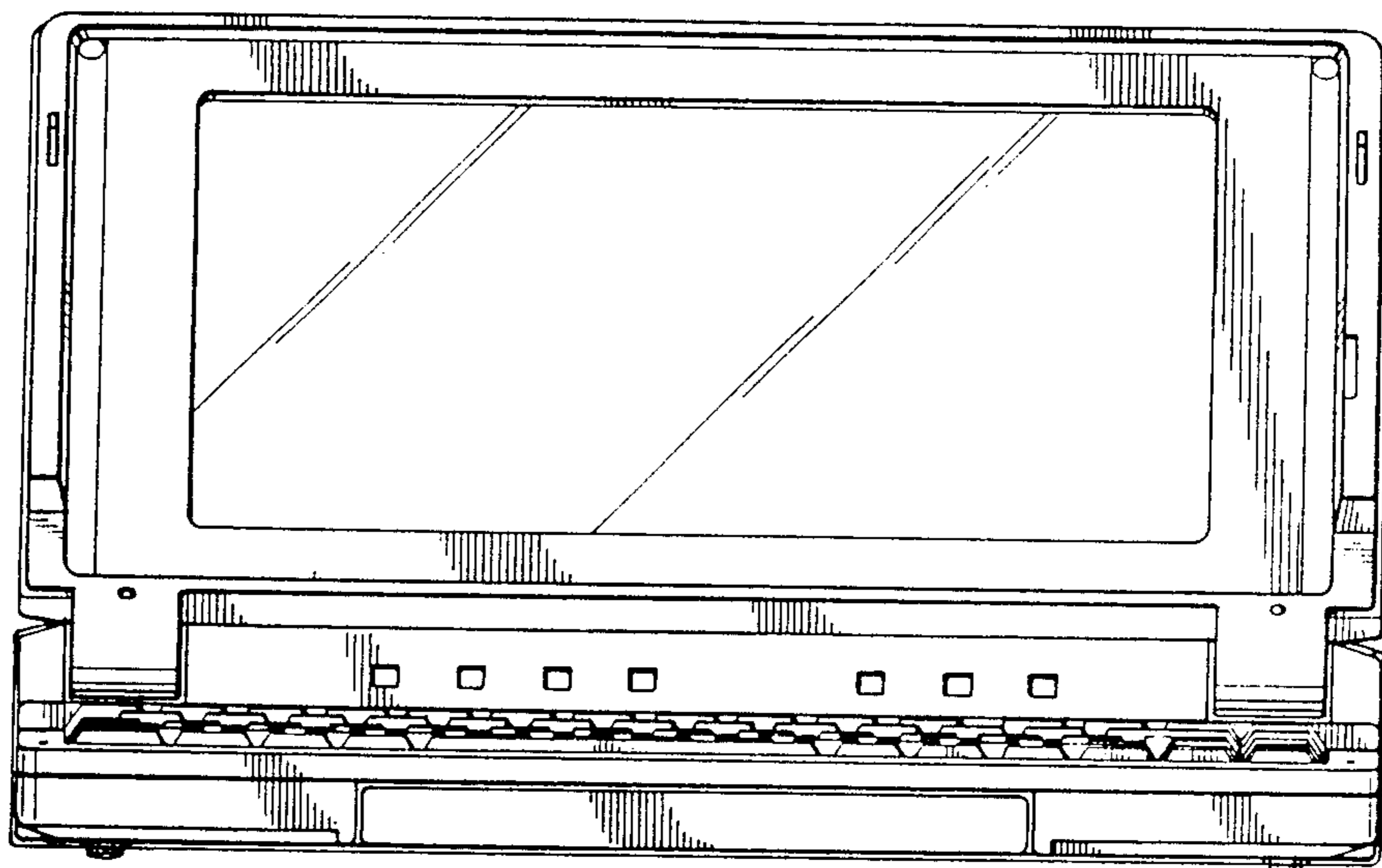


FIG. 2

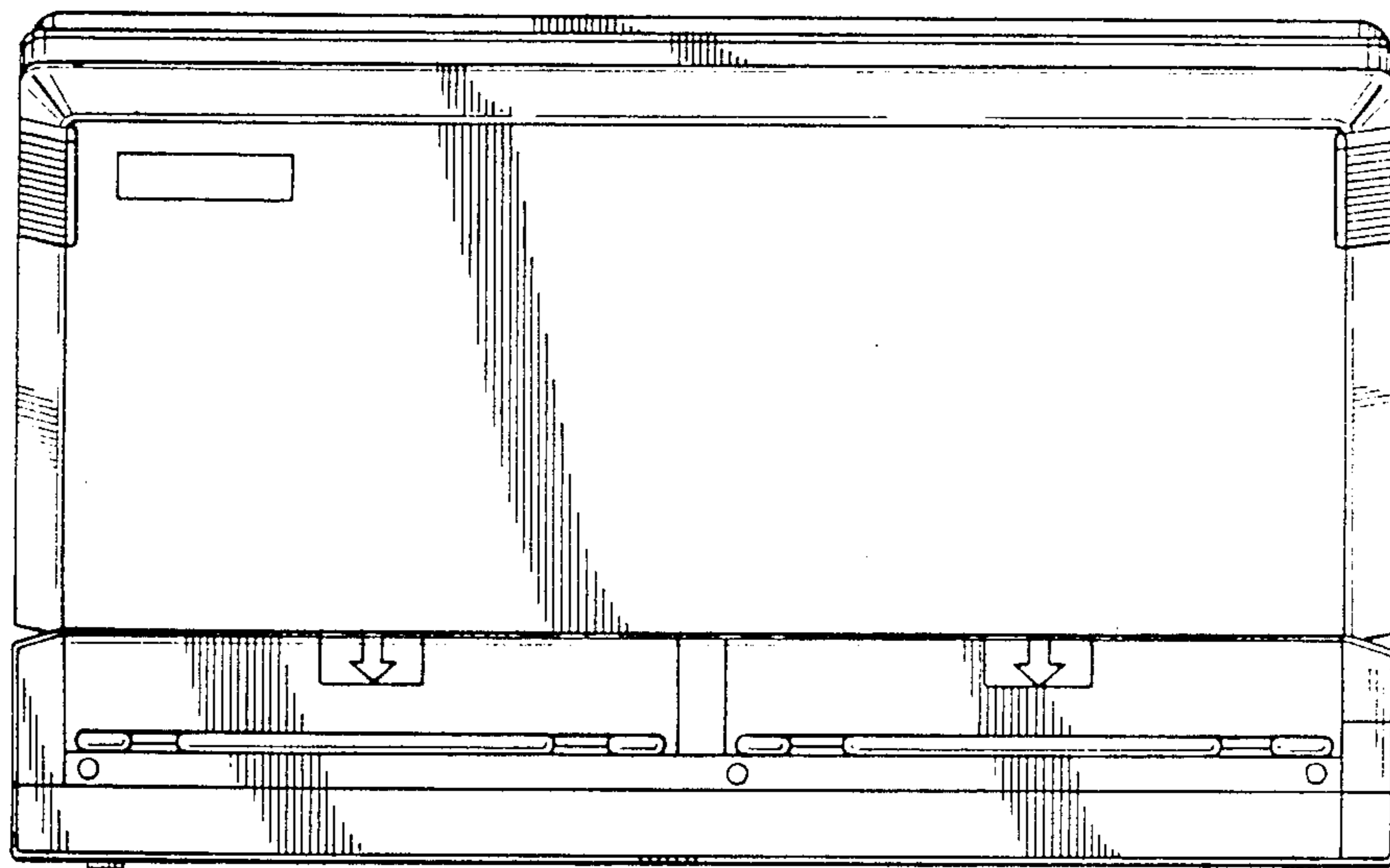


FIG. 3

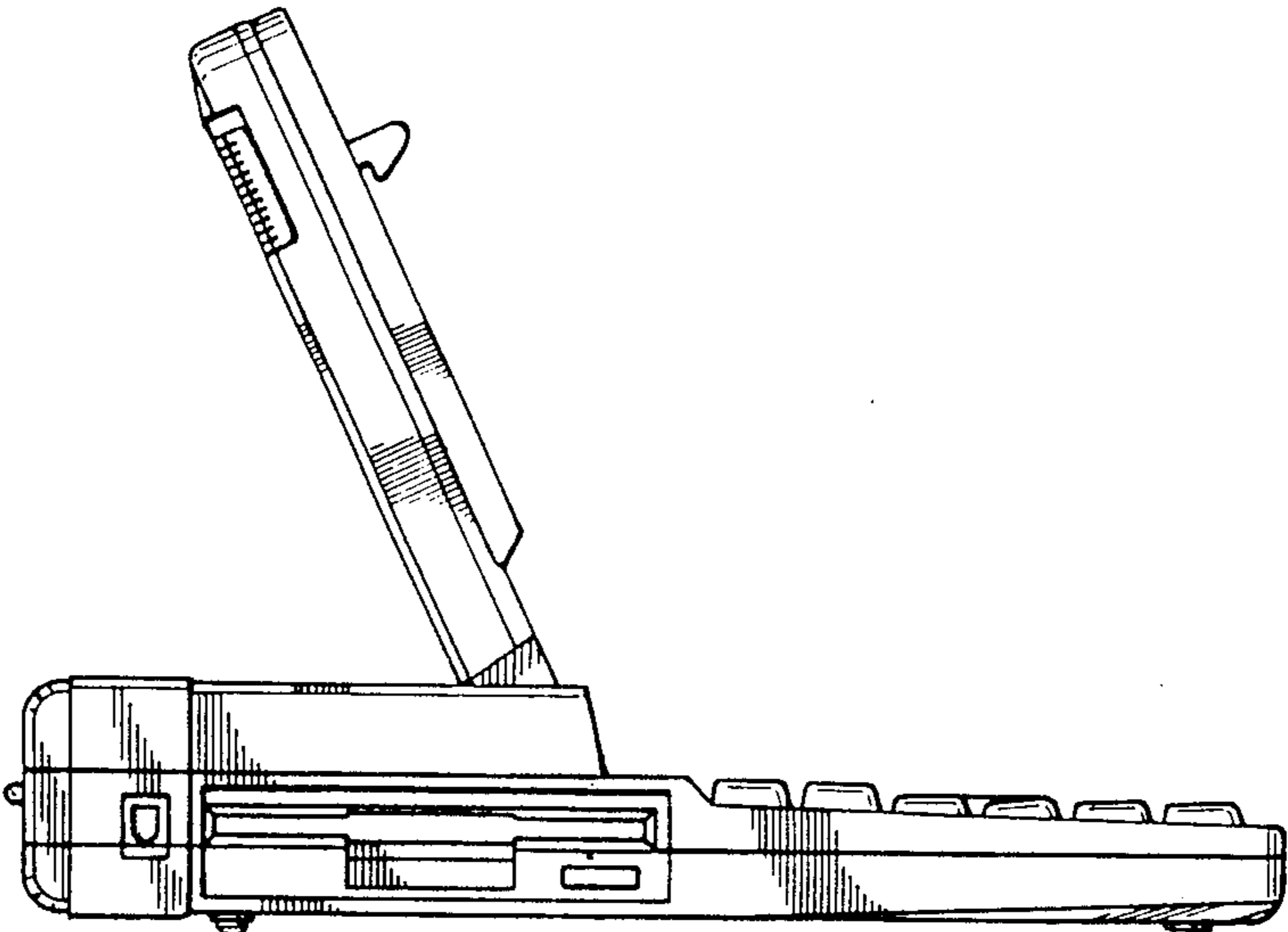


FIG. 4

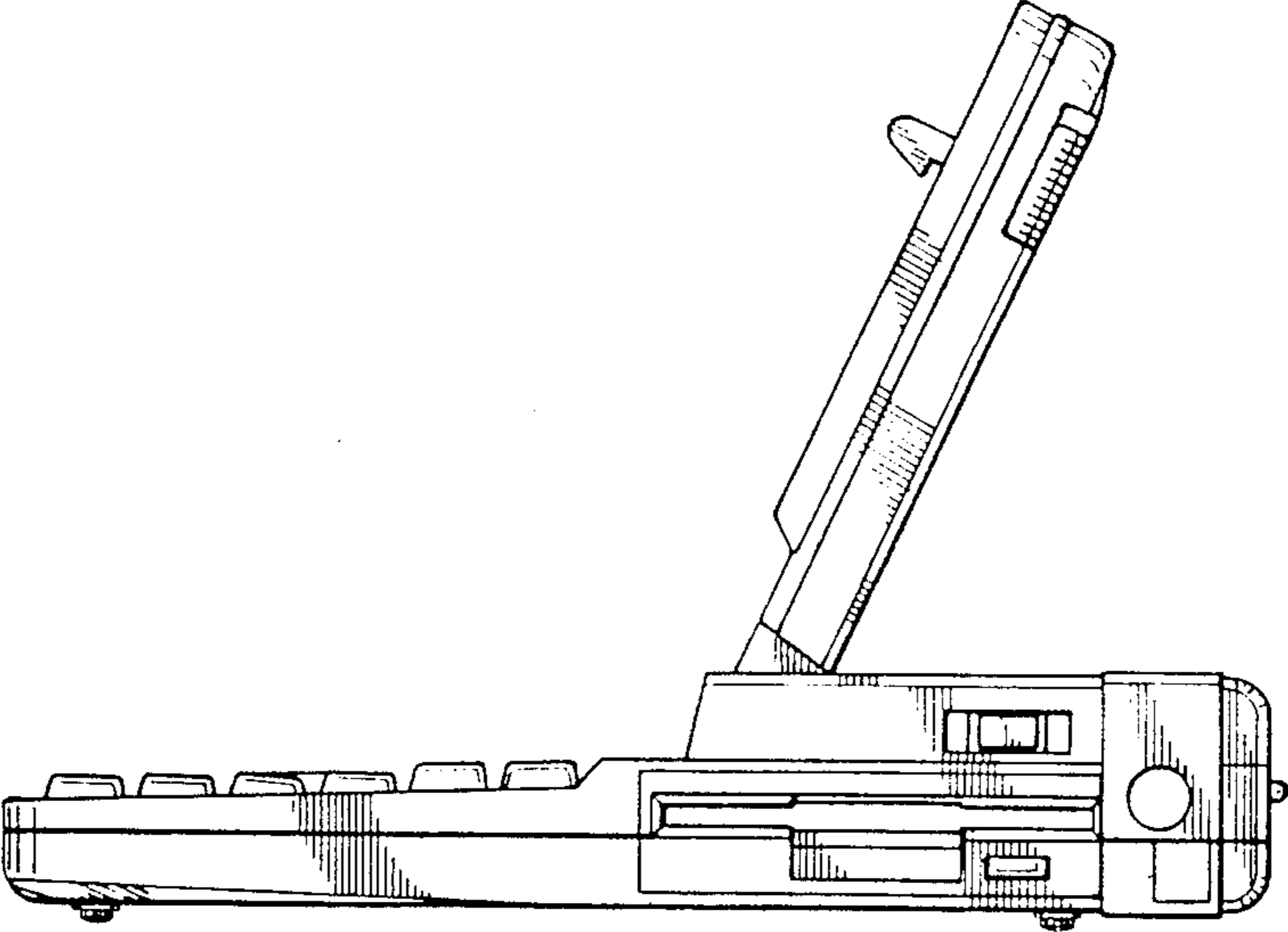


FIG. 5

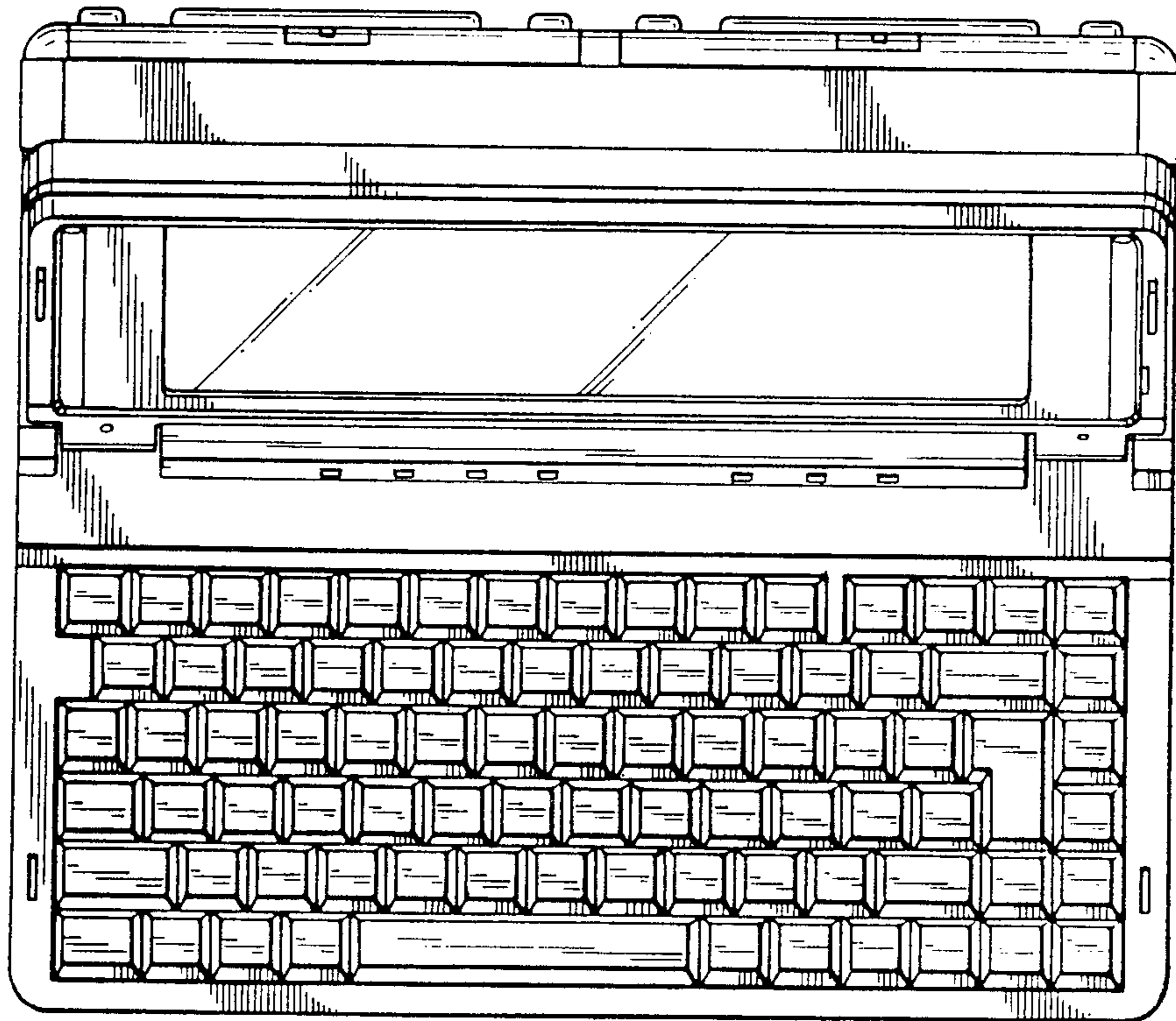


FIG. 6

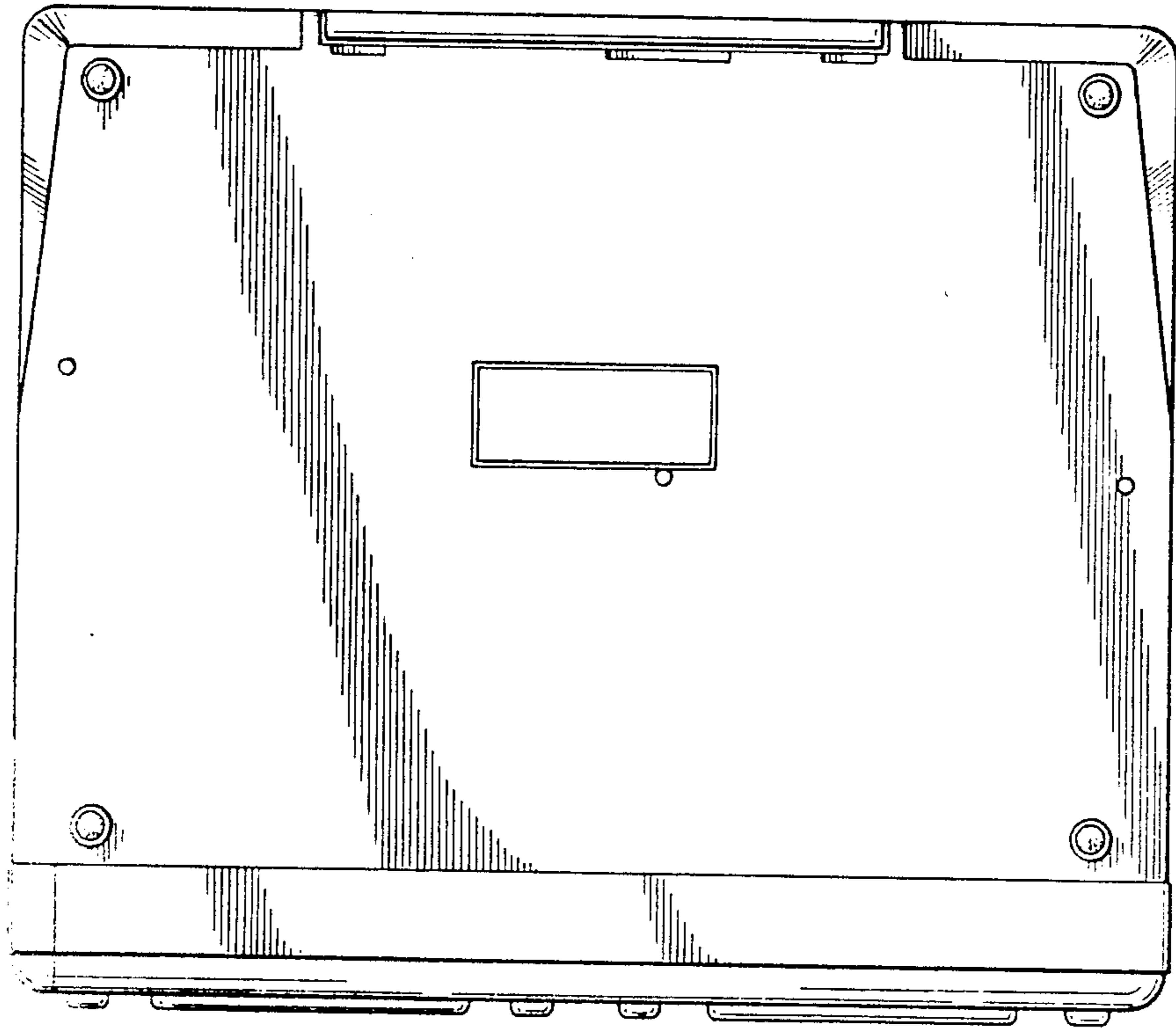


FIG. 7

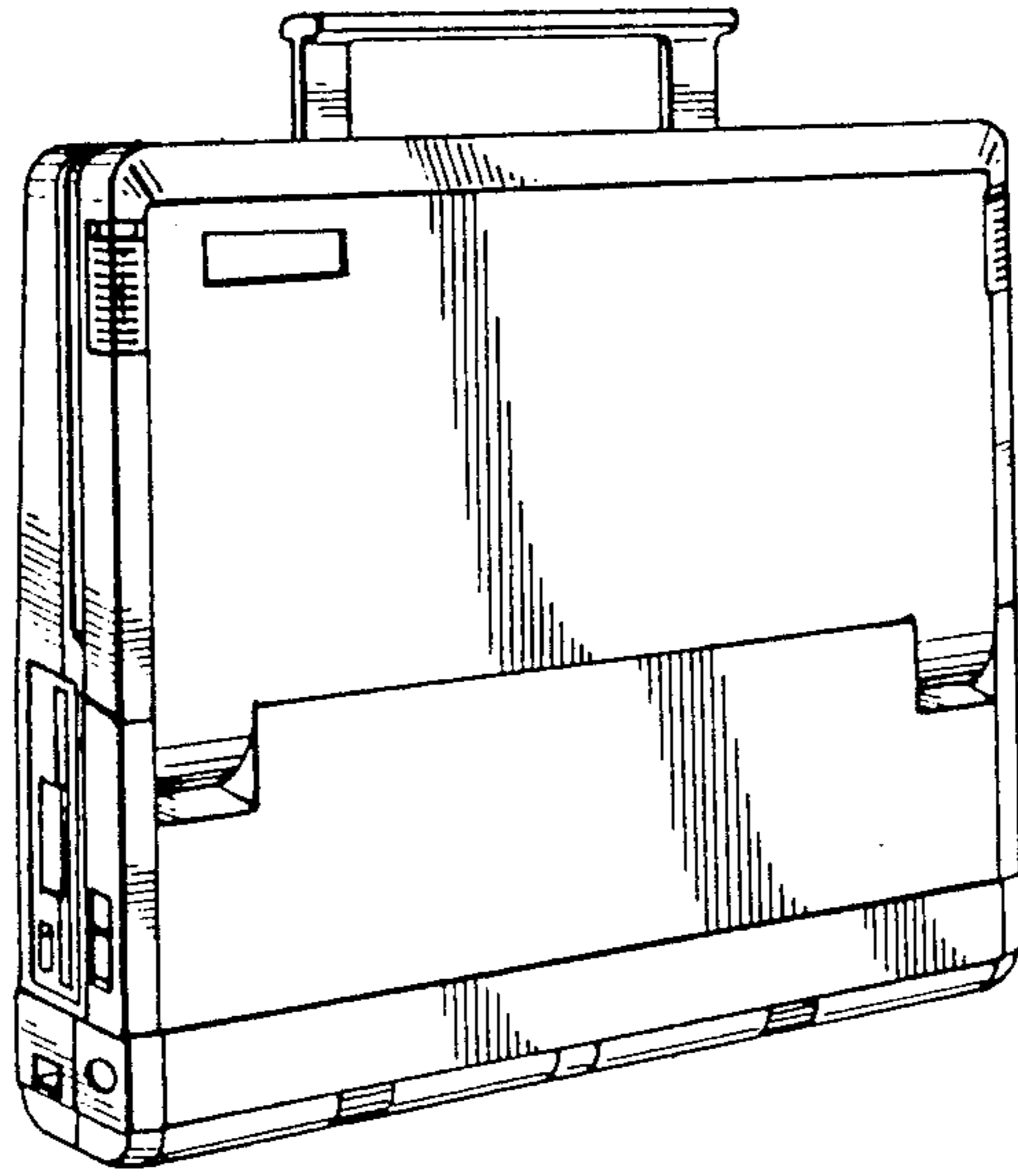


FIG. 8