

[54] TERMINAL SERVER

[75] Inventors: **Marcus C. Koepke**, Bolton; **Bernard J. Maurer**, Melrose; **Robert L. Hanson**, Marlboro, all of Mass.

[73] Assignee: **Digital Equipment Corporation**, Maynard, Mass.

[**] Term: **14 Years**

[21] Appl. No.: **93,412**

[22] Filed: **Sep. 4, 1987**

[52] U.S. Cl. **D14/100; D14/107**

[58] Field of Search **D14/100-117; D13/40, 41, 99; 174/50, 52 R; 200/5 A, 5 R, 6 A, 6 R; 312/198, 208; 360/97-99, 132, 133; 361/330, 331, 334, 335, 390-395, 399, 415**

[56] **References Cited**

U.S. PATENT DOCUMENTS

- D. 289,648 5/1987 Felix et al. D14/100
- D. 296,899 7/1988 Chu et al. D14/107 X
- D. 301,140 5/1989 Satherley D14/100

OTHER PUBLICATIONS

Kodak Information Management Systems Brochure, 1986-(Inside page-Index/Entry).

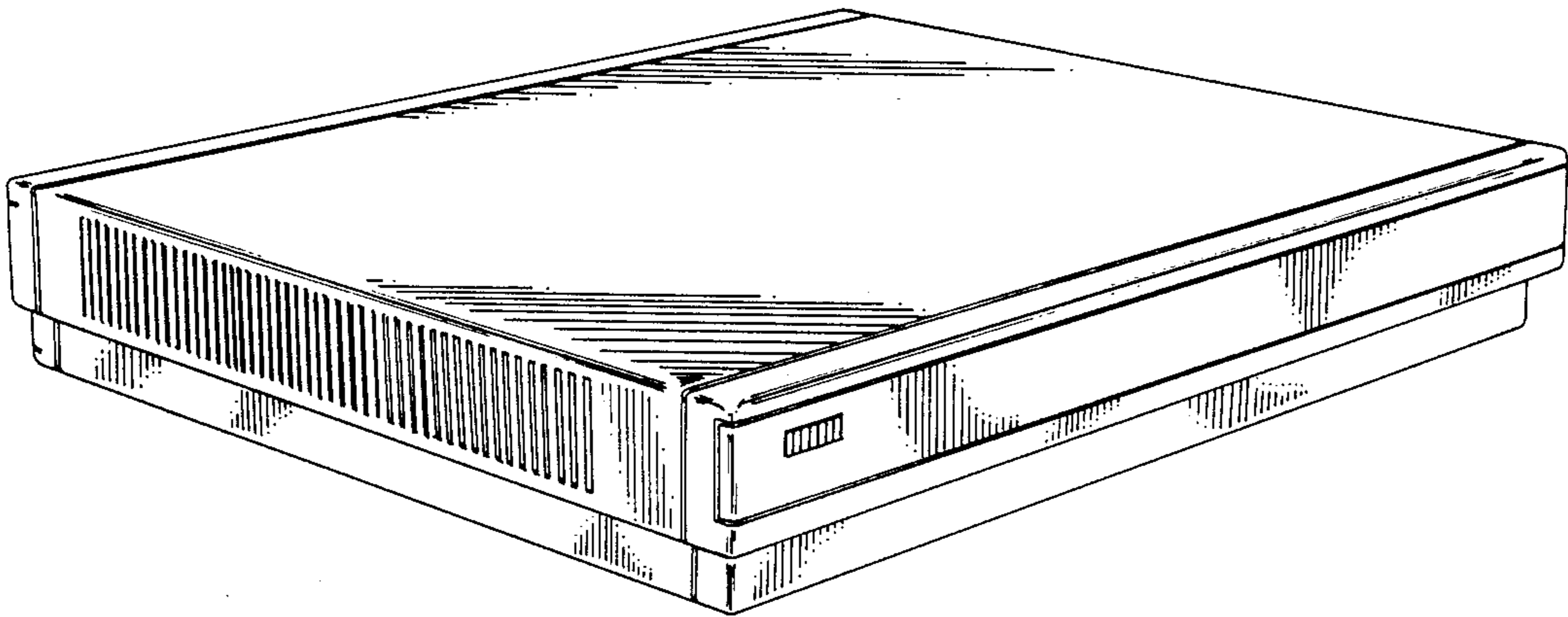
Primary Examiner—Wallace R. Burke
Assistant Examiner—Freda S. Nunn
Attorney, Agent, or Firm—Kenyon & Kenyon

[57] **CLAIM**

The ornamental design for a terminal server, as shown and described.

DESCRIPTION

FIG. 1 is a top, front, left side perspective view of a terminal server showing our new design;
 FIG. 2 is a top, rear, right side perspective view thereof;
 FIG. 3 is a front elevational view thereof on an enlarged scale;
 FIG. 4 is a rear elevational view thereof on an enlarged scale;
 FIG. 5 is a left side elevational view thereof on an enlarged scale;
 FIG. 6 is a right side elevational view thereof on an enlarged scale;
 FIG. 7 is a top plan view thereof on an enlarged scale;
 and
 FIG. 8 is a bottom plan view thereof on an enlarged scale.



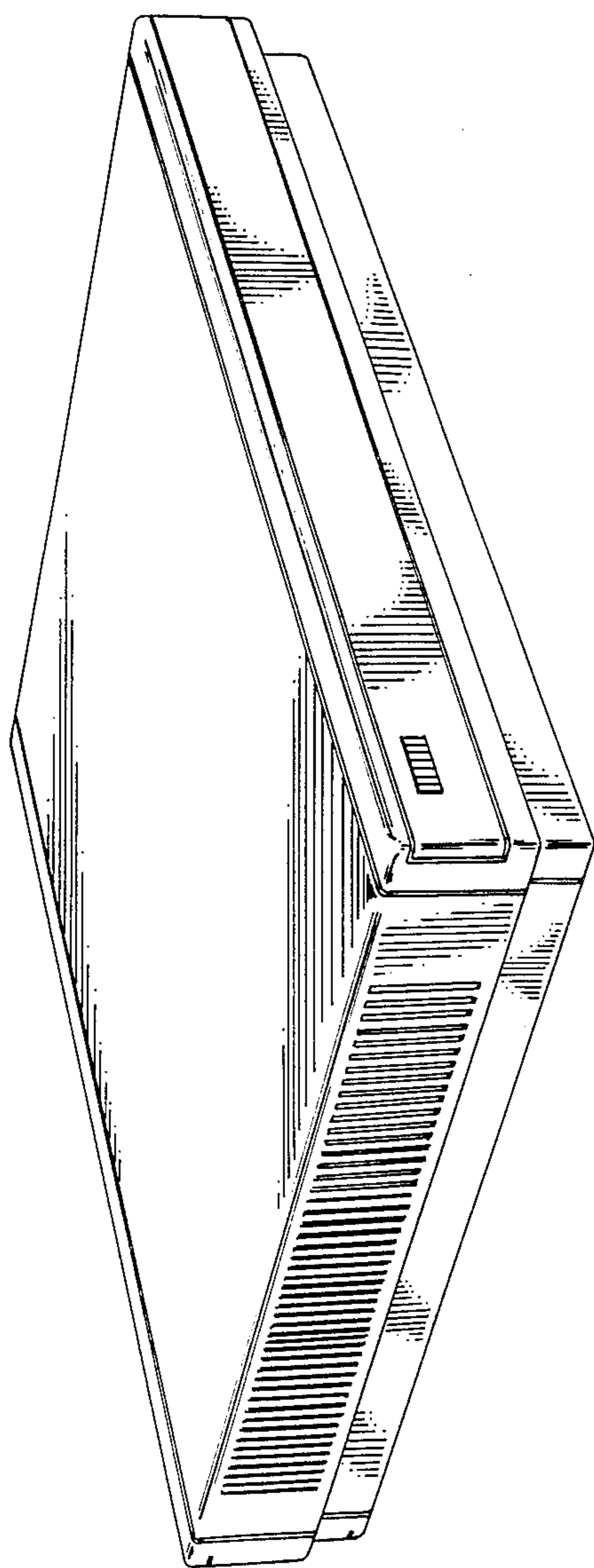


Fig. 1.

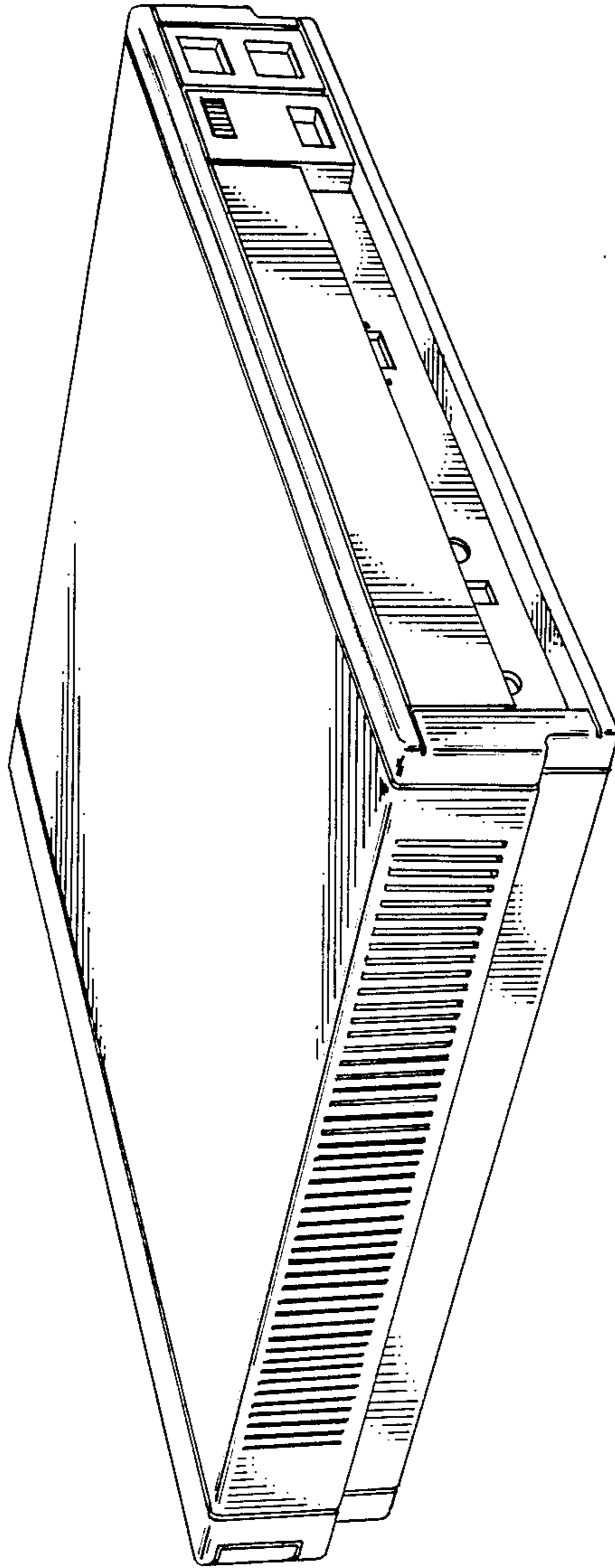


Fig. 2.

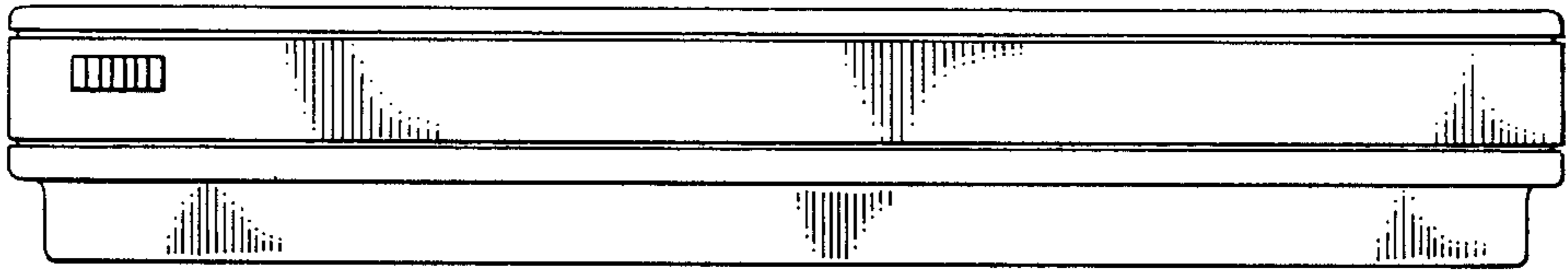


Fig. 3.

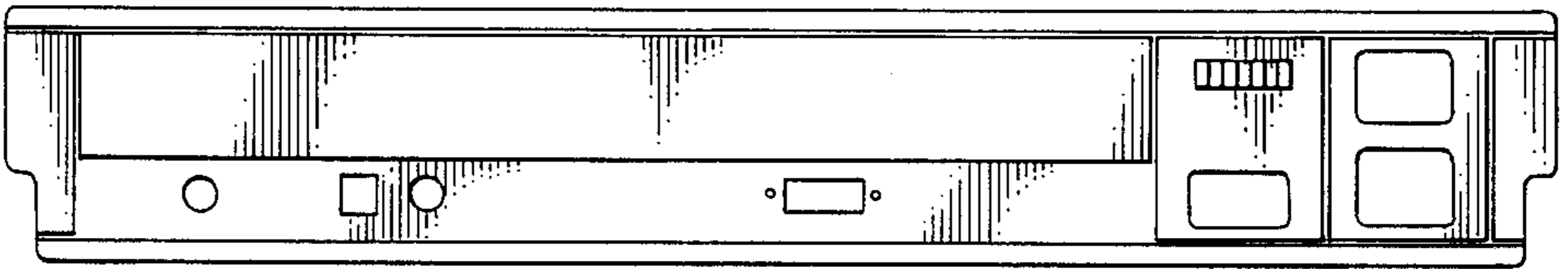


Fig. 4.

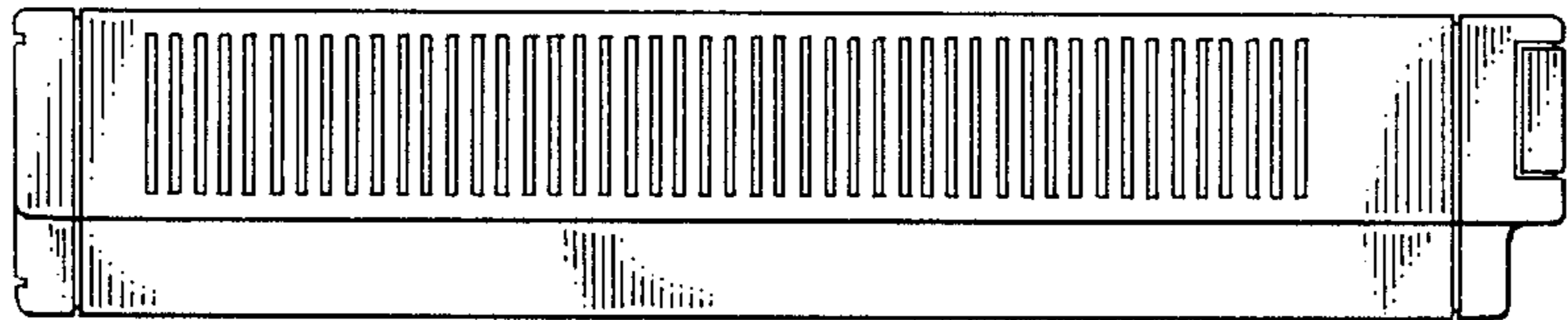


Fig. 5.

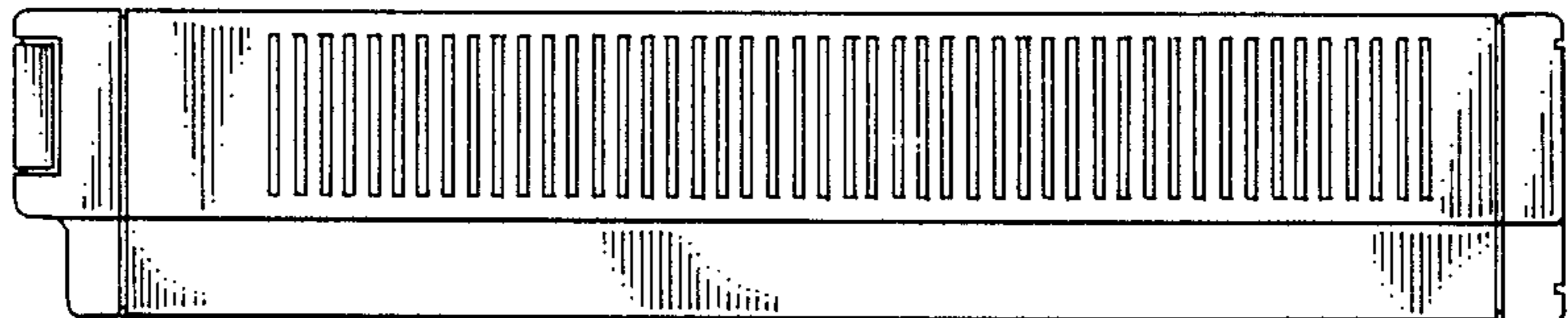


Fig. 6.

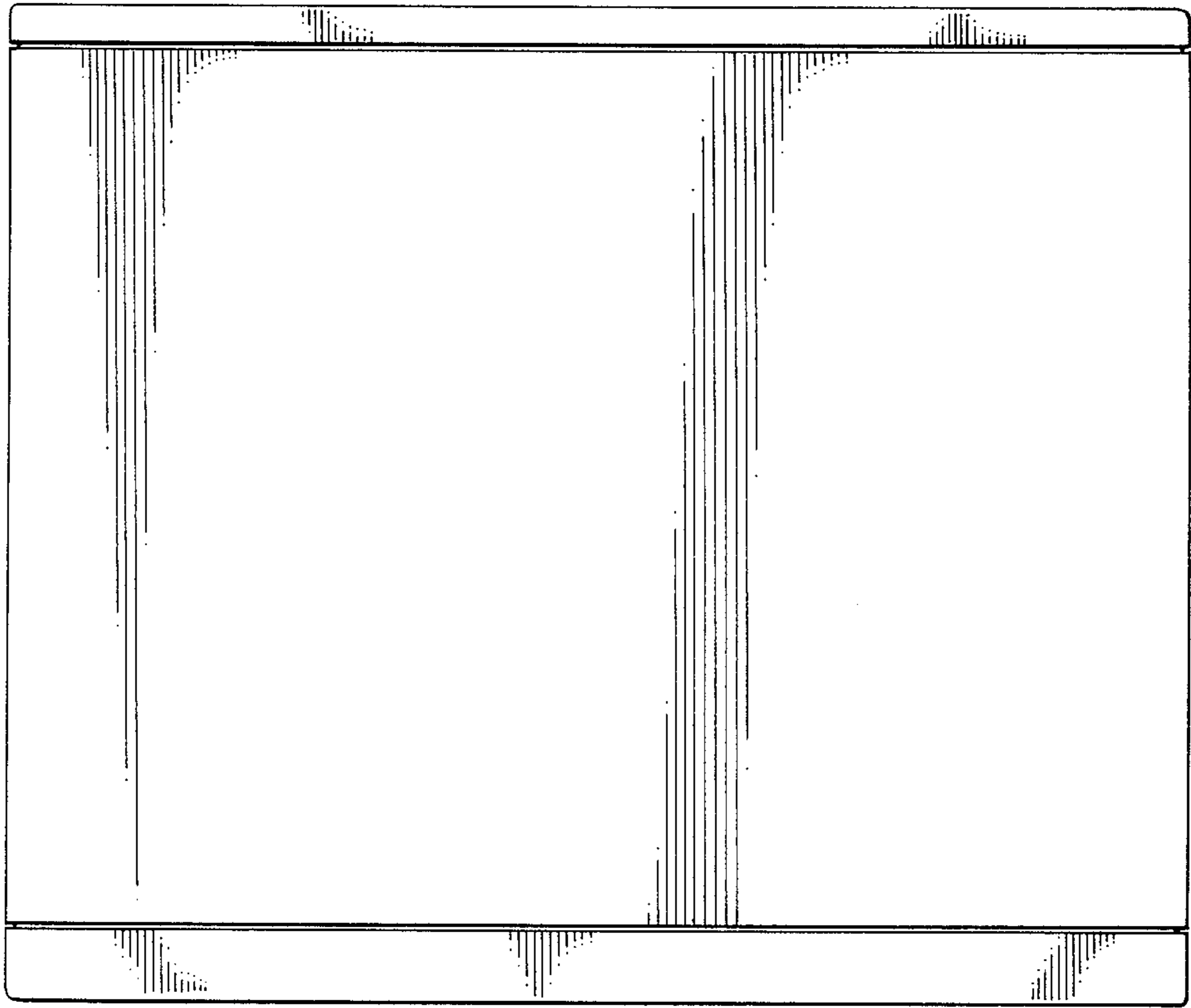


Fig. 7.

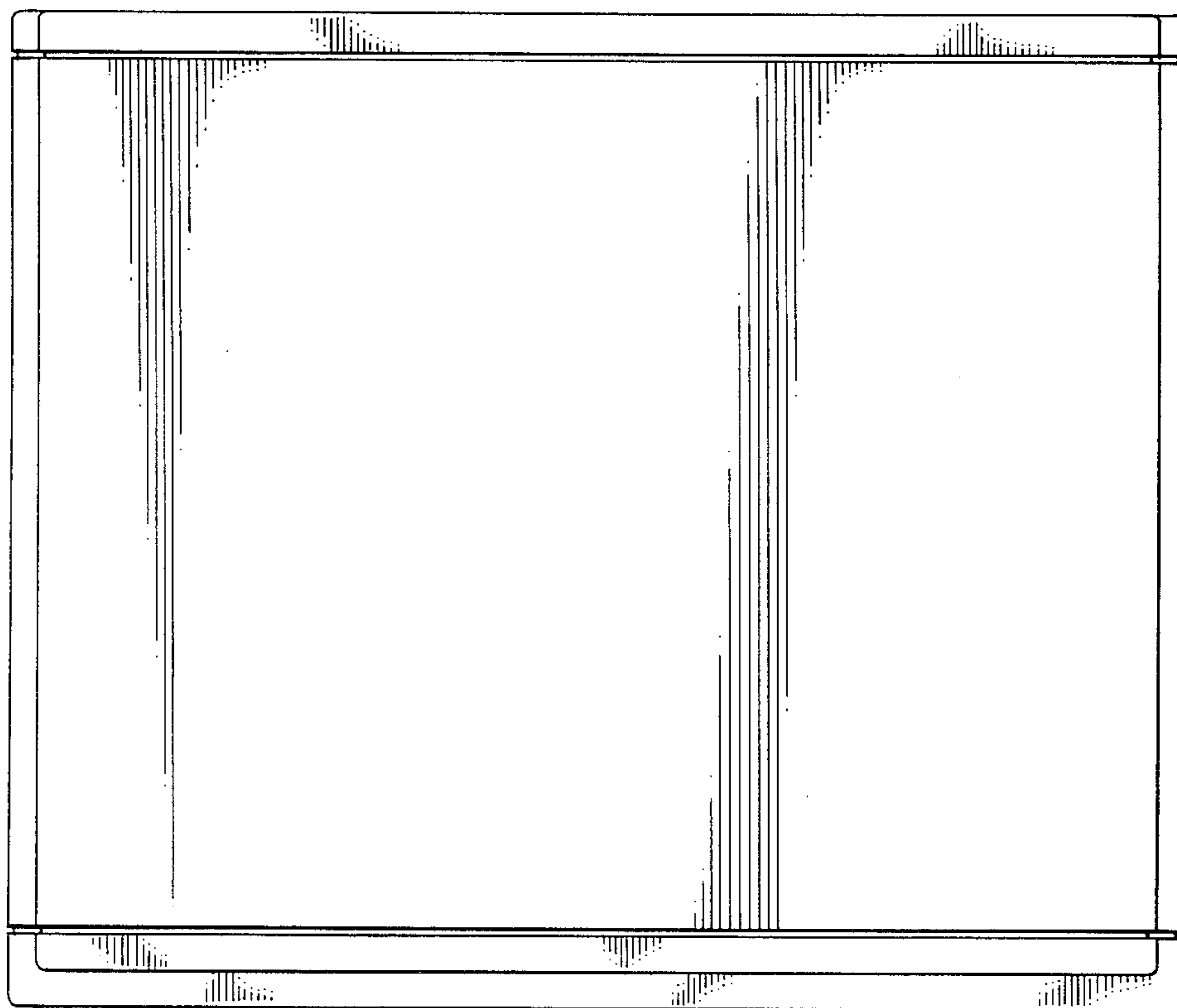


Fig. 8.