

[54] INFORMATION DISPLAY FOR A
COMPUTER DISK DRIVE SYSTEM

[75] Inventors: David E. Smith, Lafayette; Dwyatt H.
Fenn, Longmont, both of Colo.

[73] Assignee: Storage Technology Corporation,
Louisville, Colo.

[**] Term: 14 Years

[21] Appl. No.: 35,304

[22] Filed: Apr. 7, 1987

[52] U.S. Cl. D14/100; D14/113

[58] Field of Search D14/100, 106, 107, 113,
D14/115; D18/1, 7, 11, 12, 4, 13, 38-41;
D20/10, 19, 20, 43; 40/618; 235/145 A, 145 R;
340/700, 706, 711, 712; 341/22, 23; 358/249,
254; 364/706-710; 273/54 C, 162 A

[56] References Cited

U.S. PATENT DOCUMENTS

D. 289,904	5/1987	Hofland	D18/13
D. 302,973	8/1989	Nishida	D14/100
4,237,540	12/1980	Sato	364/708 X
4,525,746	6/1985	Mangold et al.	358/254

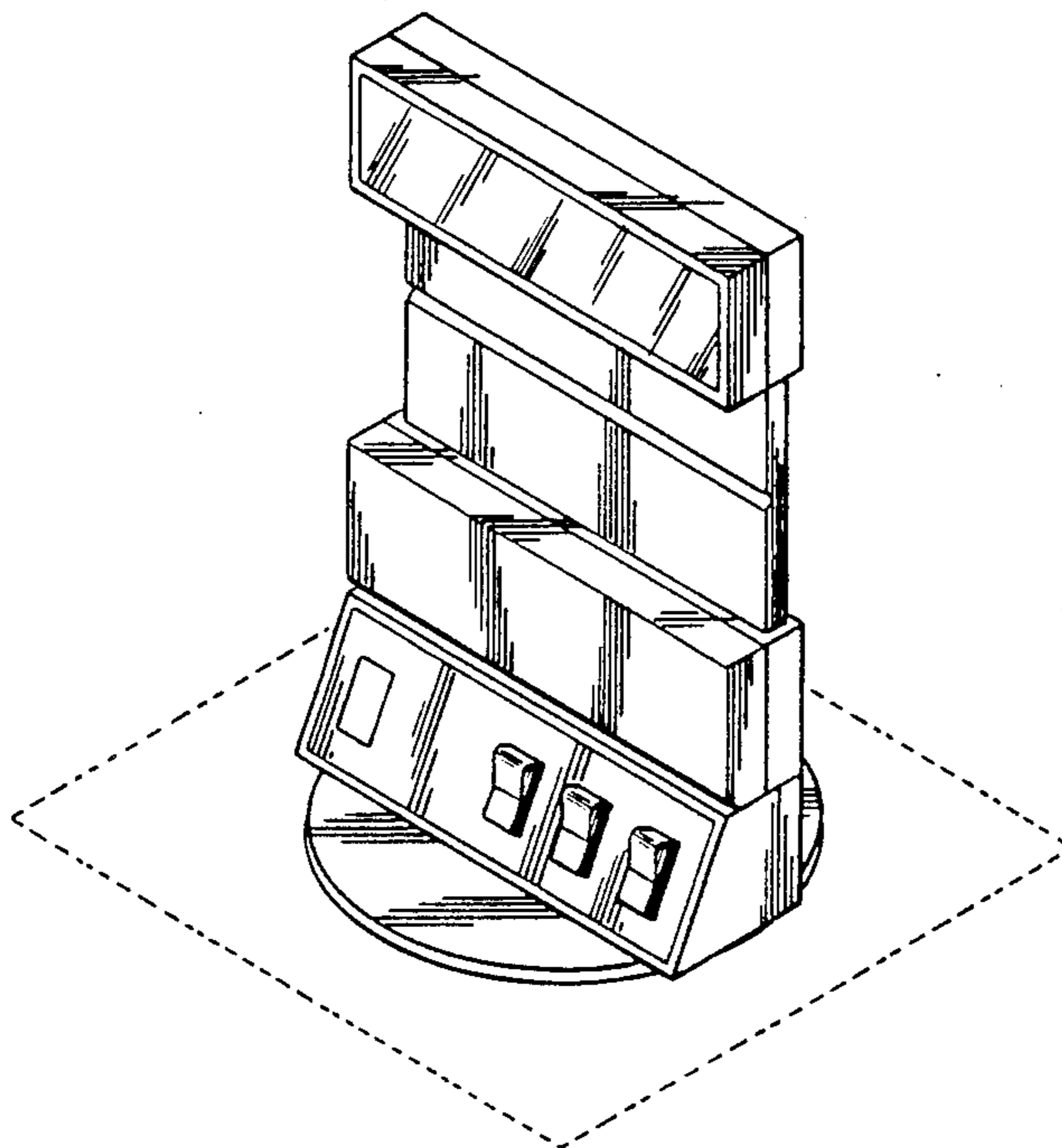
Primary Examiner—Wallace R. Burke
Assistant Examiner—Freda S. Nunn
Attorney, Agent, or Firm—Dorr, Carson, Sloan &
Peterson

[57] CLAIM

The ornamental design for an information display for a
computer disk drive system, as shown and described.

DESCRIPTION

FIG. 1 is a top, front, right side perspective view of an
information display for a computer disk drive system
showing our new design;
FIG. 2 is a right side elevational view thereof, the left
side being a mirror image;
FIG. 3 is a front elevational view thereof;
FIG. 4 is a top plan view thereof;
FIG. 5 is a rear elevational view thereof.



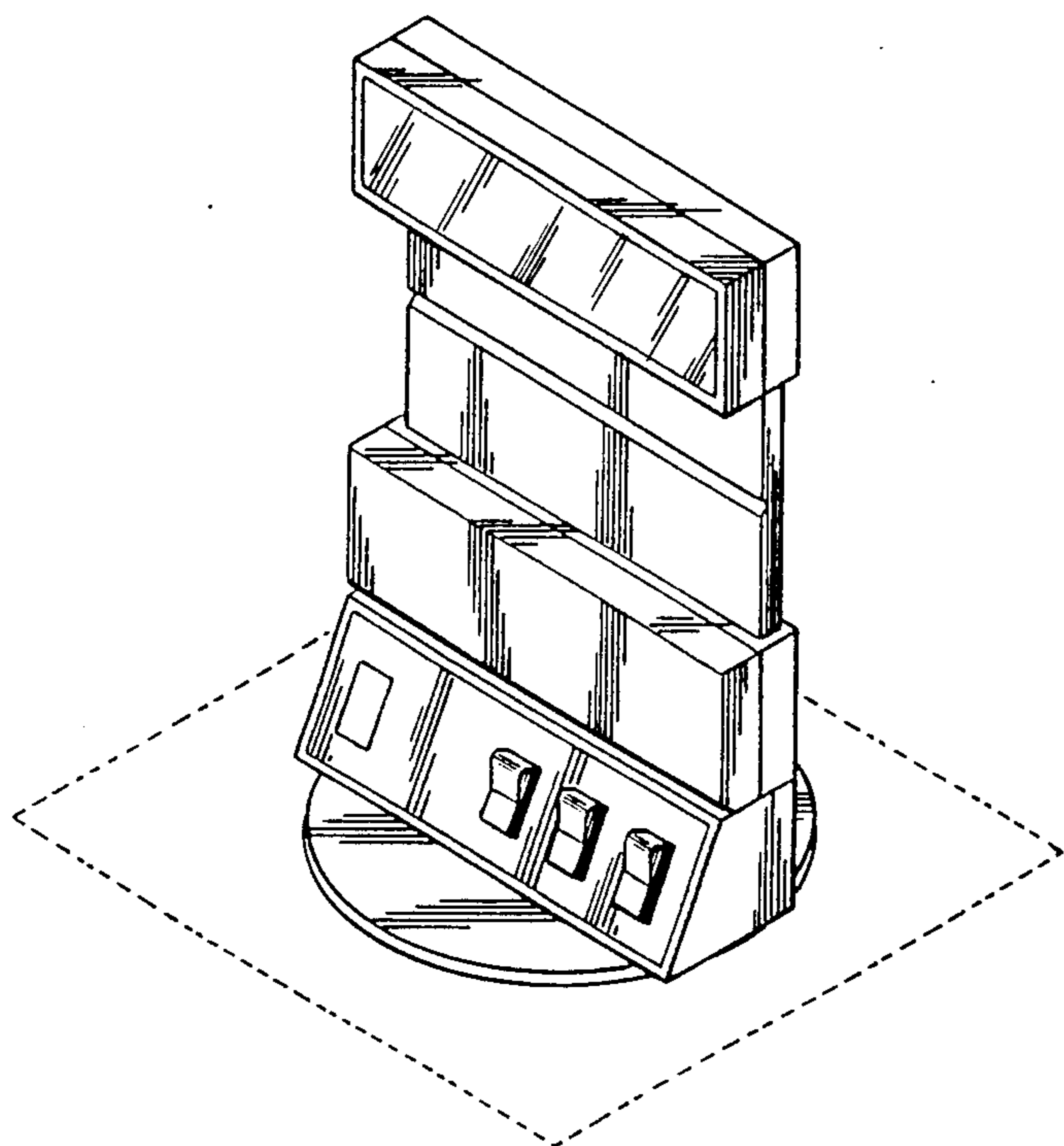


Fig. 1

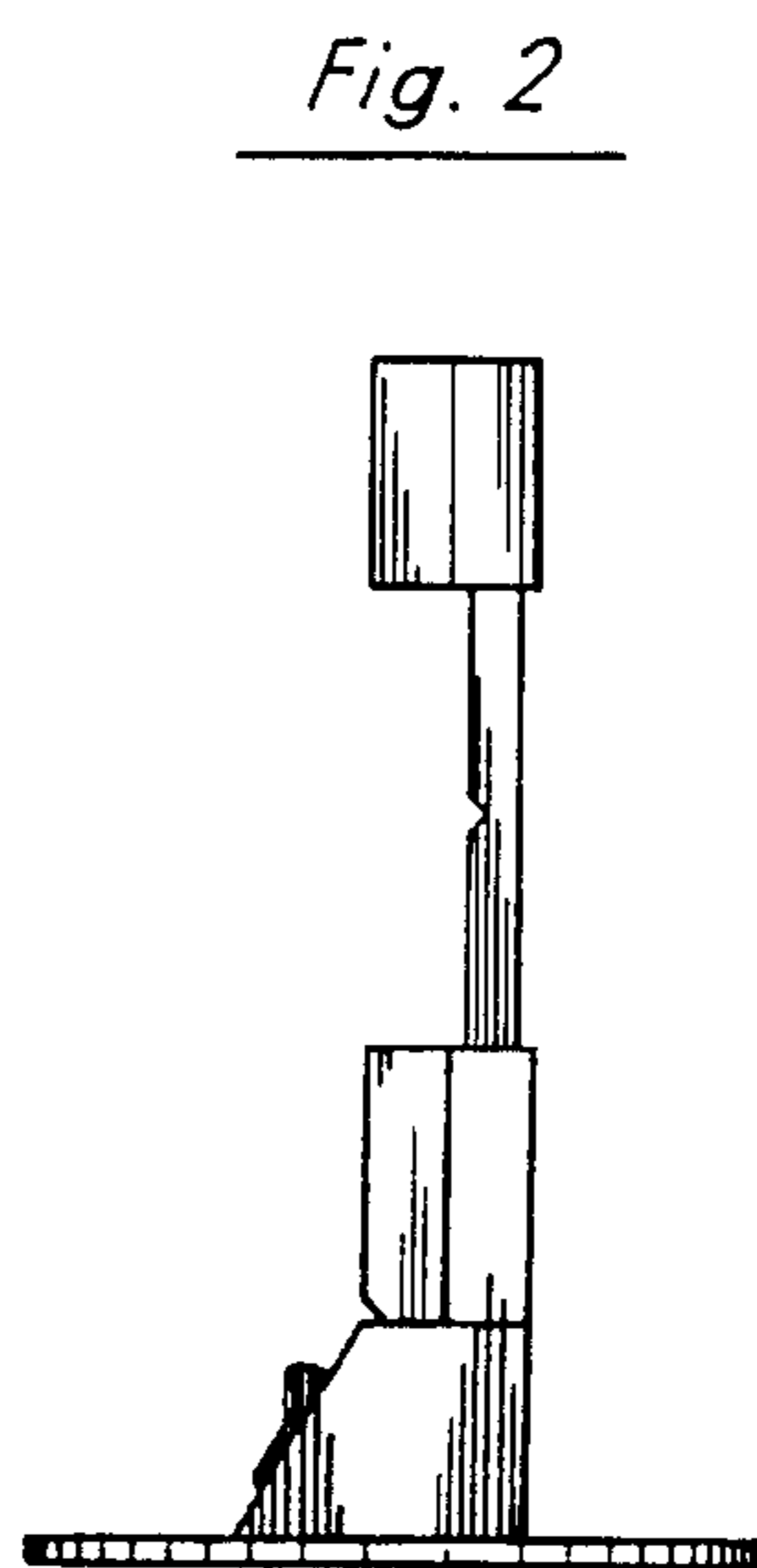


Fig. 2

Fig. 4

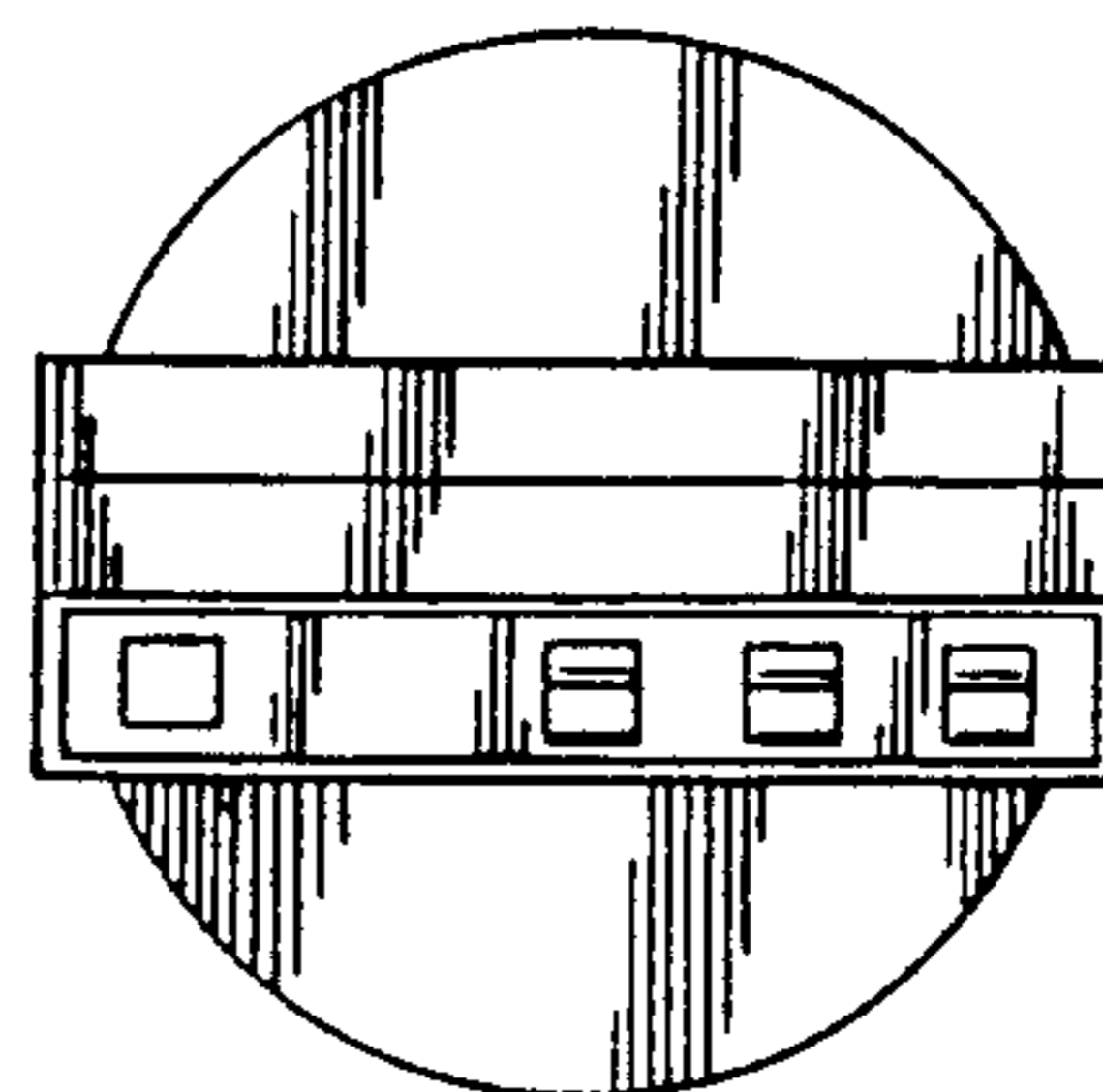


Fig. 3

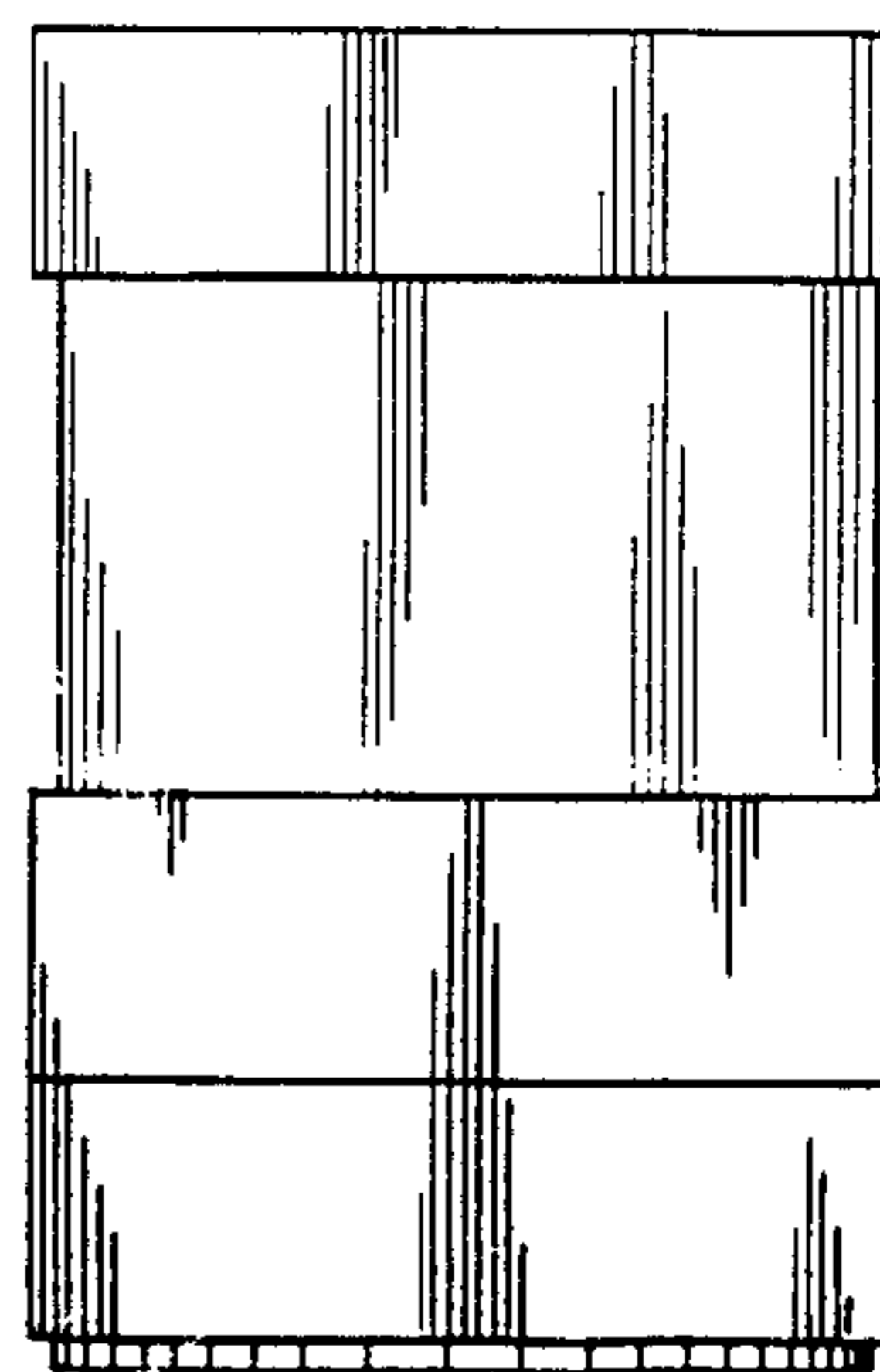
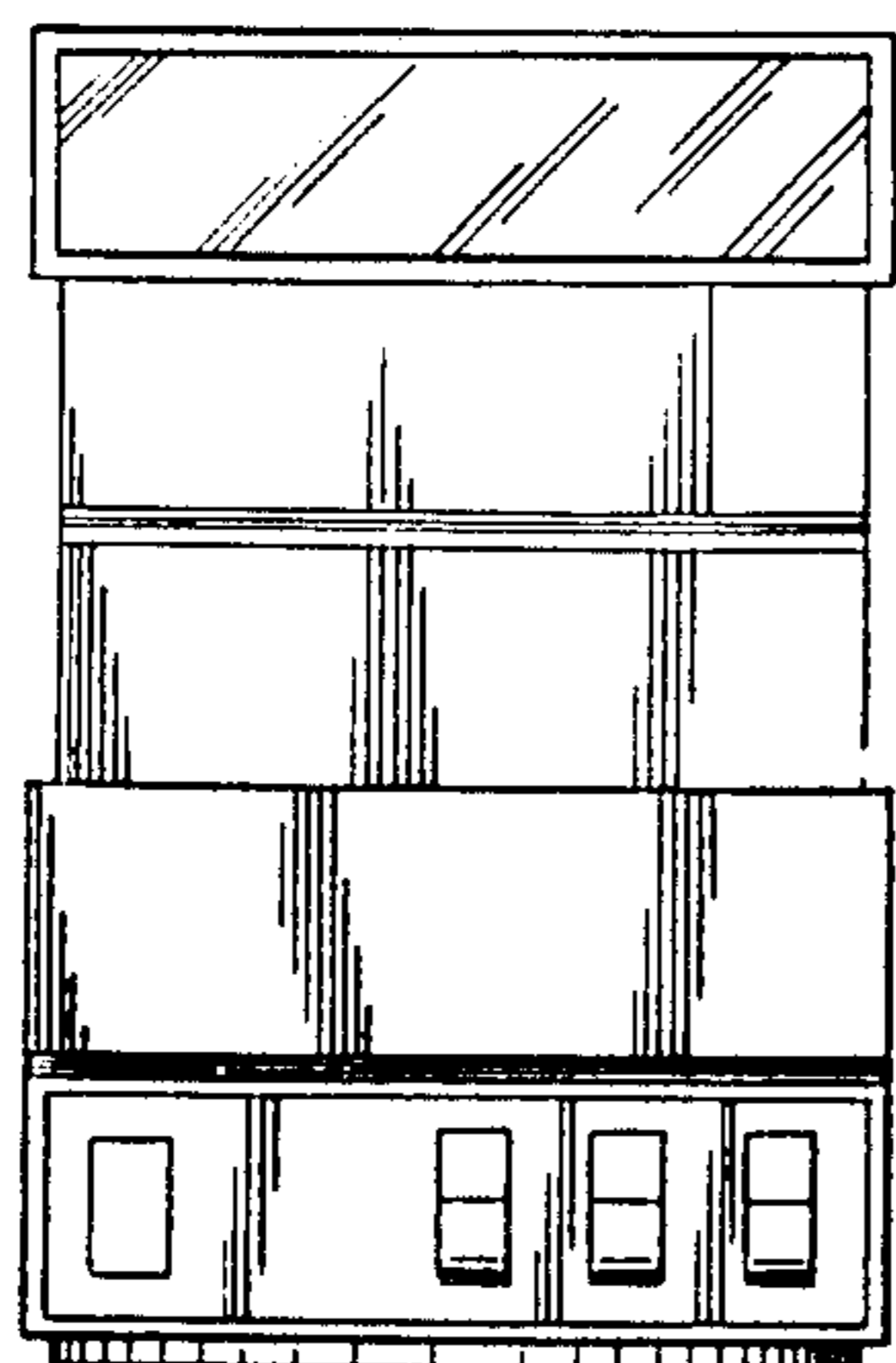


Fig. 5