

[54] MOUNTING DEVICE FOR AN ELECTRICAL CONNECTOR

4,509,813 4/1985 Hesse 439/347

[75] Inventors: Toshihiko Makita; Yusaku Kioka, both of Kosai, Japan

Primary Examiner—Susan J. Lucas
Attorney, Agent, or Firm—Jones, Askew & Lunsford

[73] Assignee: Yazaki Corp., Japan

[57] CLAIM

[**] Term: 14 Years

The ornamental design for a mounting device for an electrical connector, as shown and described.

[21] Appl. No.: 108,313

DESCRIPTION

[22] Filed: Oct. 13, 1987

[52] U.S. Cl. D13/154; D8/382

[58] Field of Search D13/24, 27-31; 439/586-592, 557, 347, 248; D8/349, 354, 355, 373, 382, 394, 395

FIG. 1 is a top, front perspective view of a mounting device for an electrical connector showing our new design;

FIG. 2 is a front elevation view thereof;

FIG. 3 is a right side elevation view thereof, the left side being a mirror image;

FIG. 4 is a top plan view thereof;

FIG. 5 is a rear elevation view thereof;

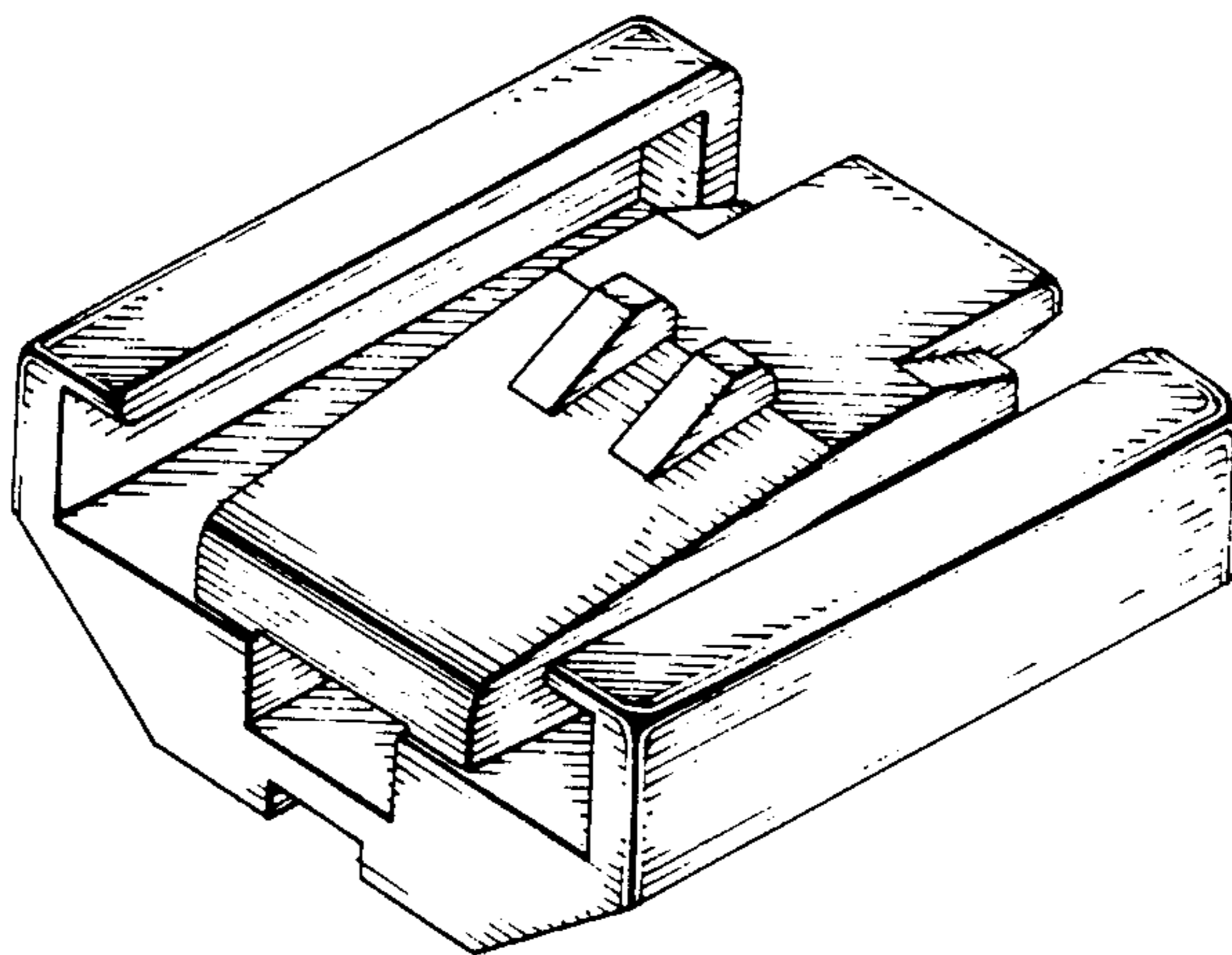
FIG. 6 is a bottom plan view thereof; and

FIG. 7 is a cross-sectional view thereof as taken along line 7-7 of FIG. 2;

[56] References Cited

U.S. PATENT DOCUMENTS

D. 213,963 4/1969 Dinkel D13/24
4,235,502 11/1980 Marks et al. 439/557



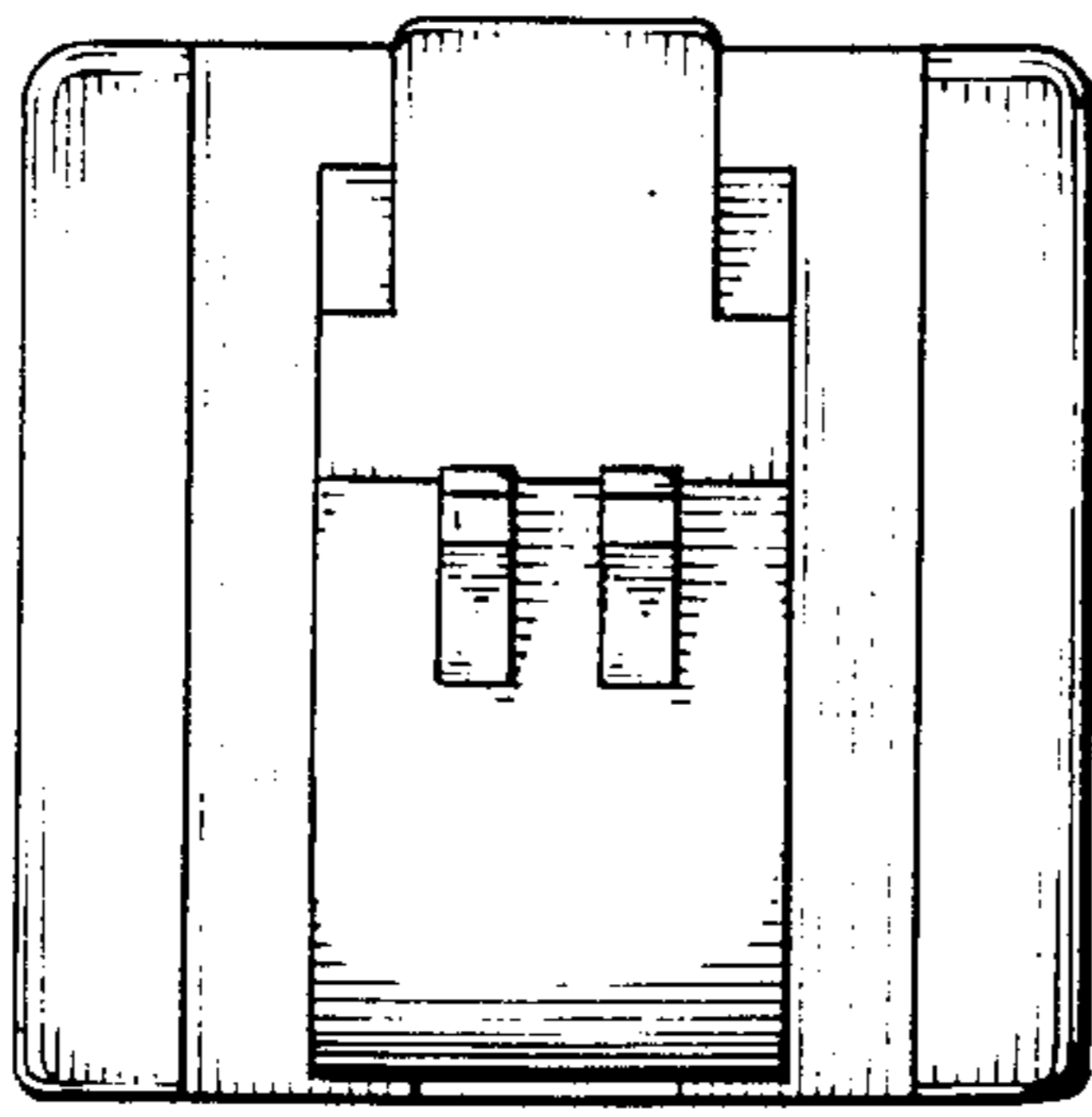


FIG 4

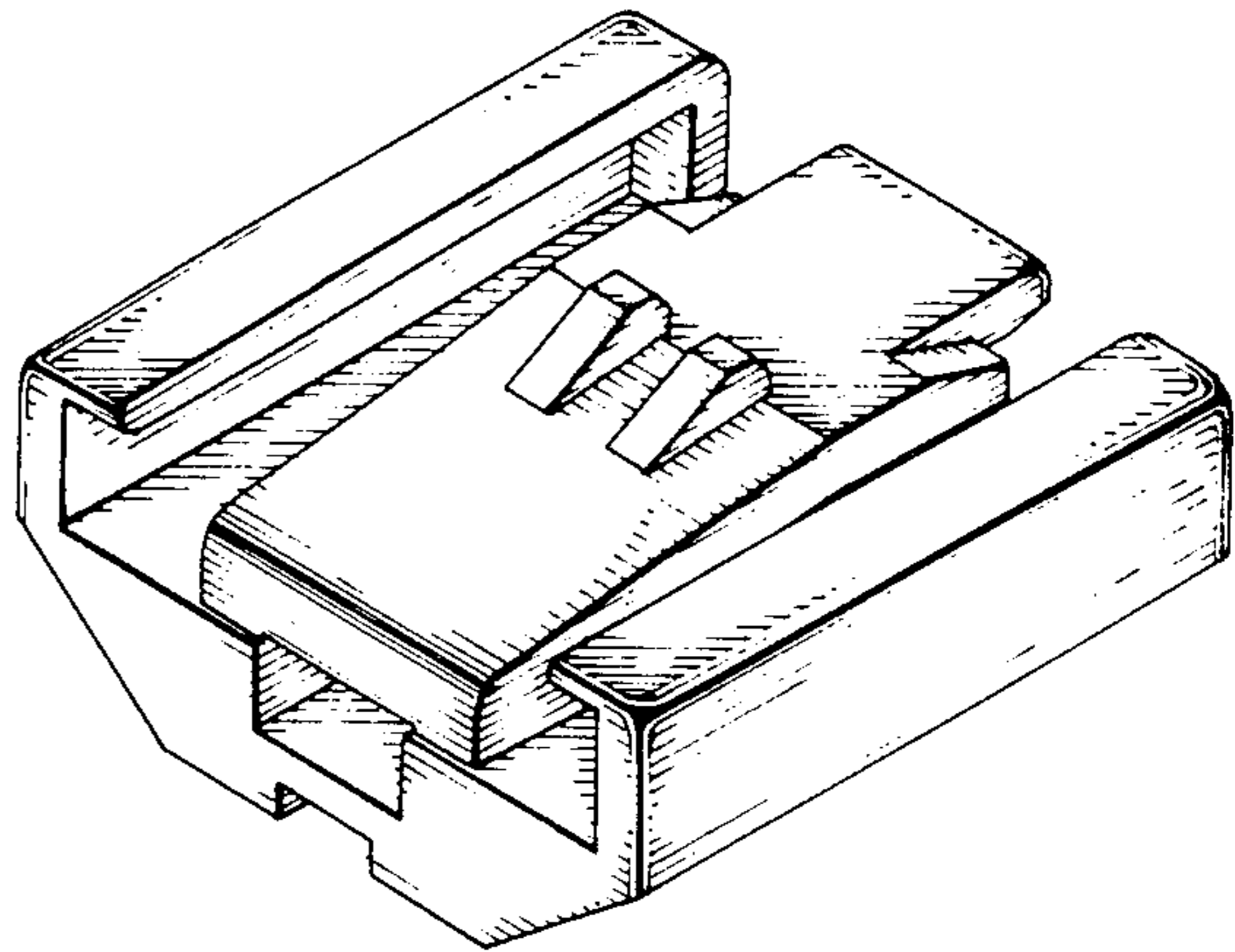


FIG 1

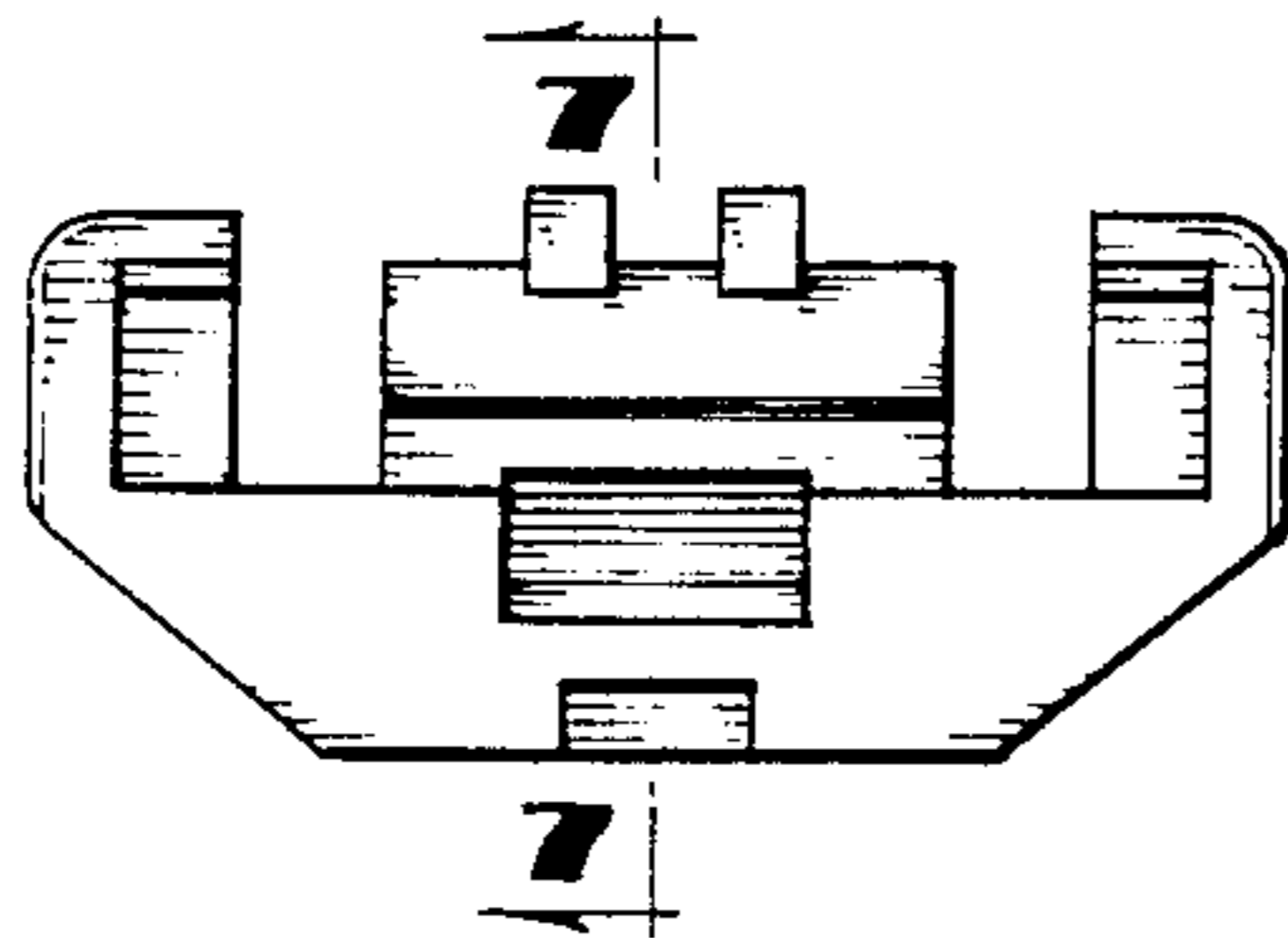


FIG 2

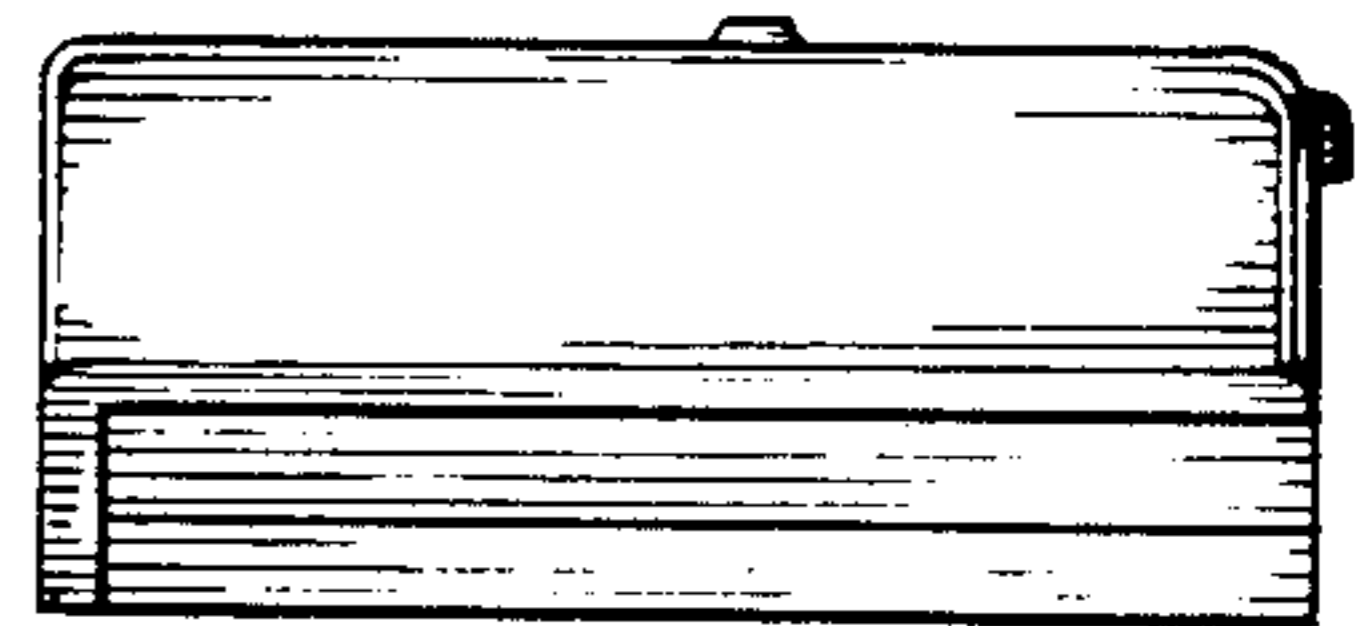


FIG 3

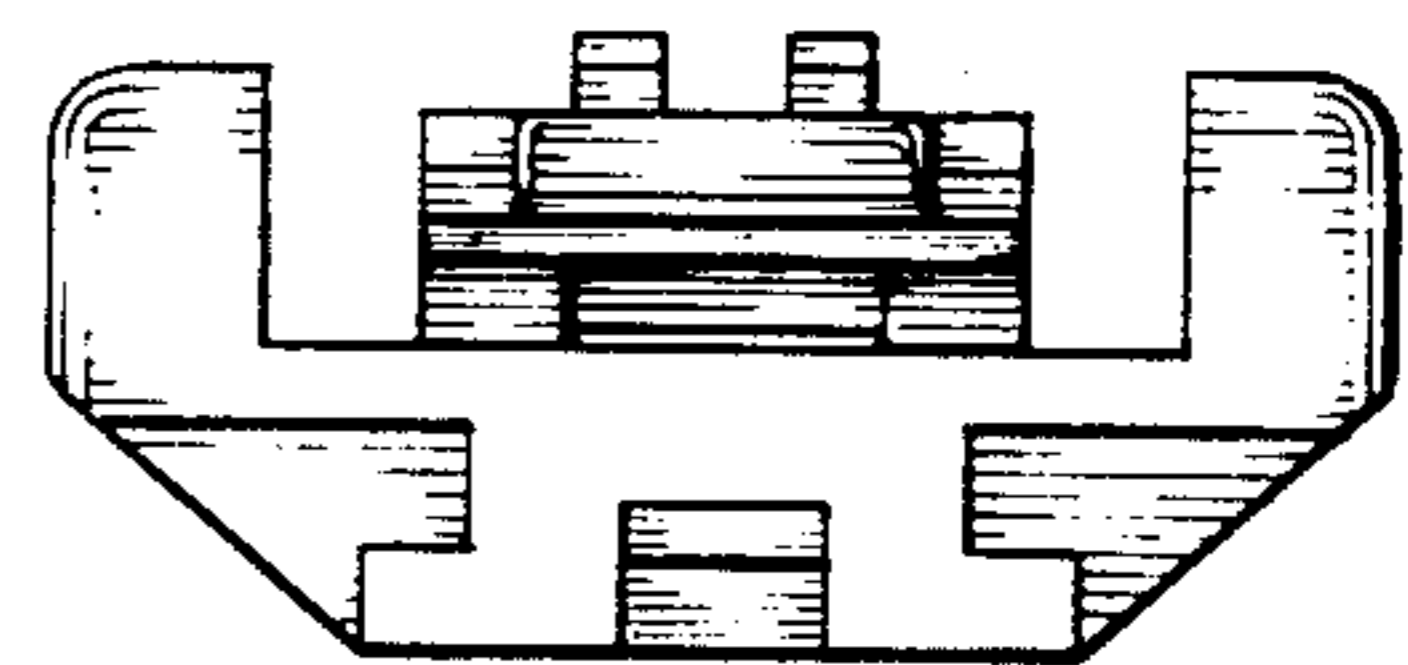


FIG 5

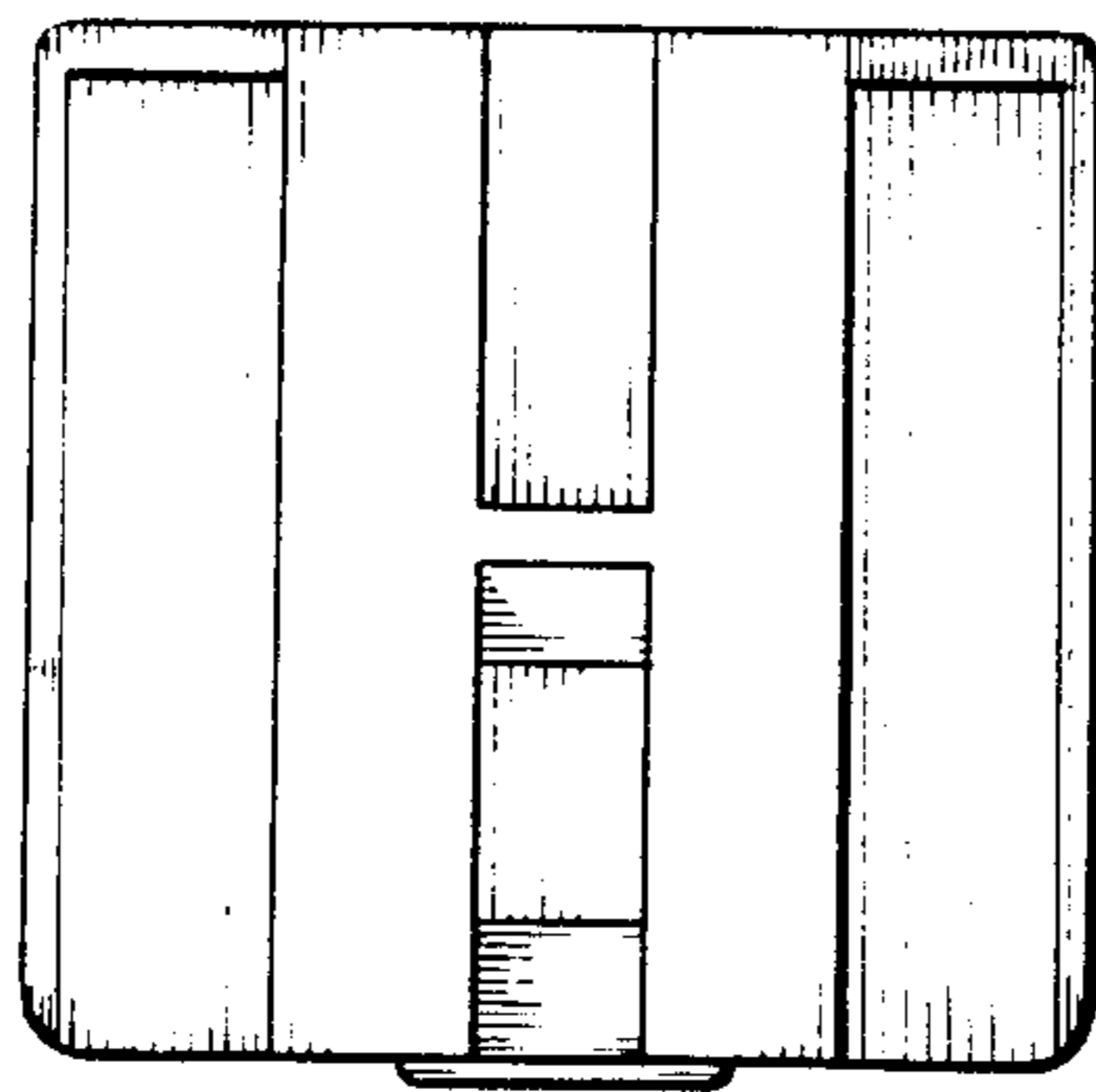


FIG 6

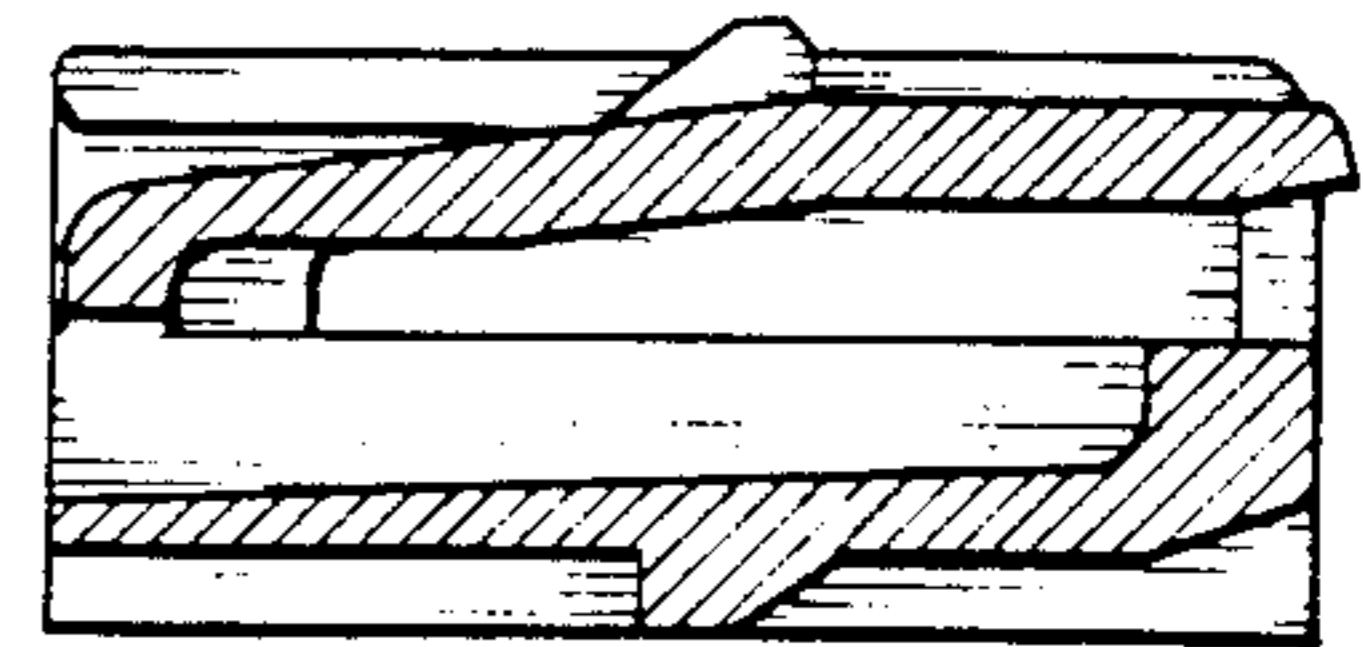


FIG 7