

[54] MOUNTING DEVICE FOR AN ELECTRICAL CONNECTOR

Primary Examiner—Susan J. Lucas  
Attorney, Agent, or Firm—Jones, Askew & Lunsford

[75] Inventors: Toshihiko Makita; Yusaku Kioka,  
both of Kosai, Japan

[57] CLAIM

The ornamental design for a mounting device for an electrical connector, as shown and described.

[73] Assignee: Yazaki Corp., Japan

DESCRIPTION

[\*\*] Term: 14 Years

[21] Appl. No.: 108,297

[22] Filed: Oct. 13, 1987

[52] U.S. Cl. .... D13/54; D8/382

[58] Field of Search ..... D13/24, 27-31;  
439/586-592, 557, 342, 248; D8/349, 354, 355,  
373, 382, 394, 395

FIG. 1 is a top, front, perspective view of a mounting device for an electrical connector, showing our new design;

FIG. 2 is a front elevation view thereof;

FIG. 3 is a right side elevation view thereof, the left side being a mirror image;

FIG. 4 is a top plan view thereof;

FIG. 5 is a rear elevation view thereof;

FIG. 6 is a bottom plan view thereof;

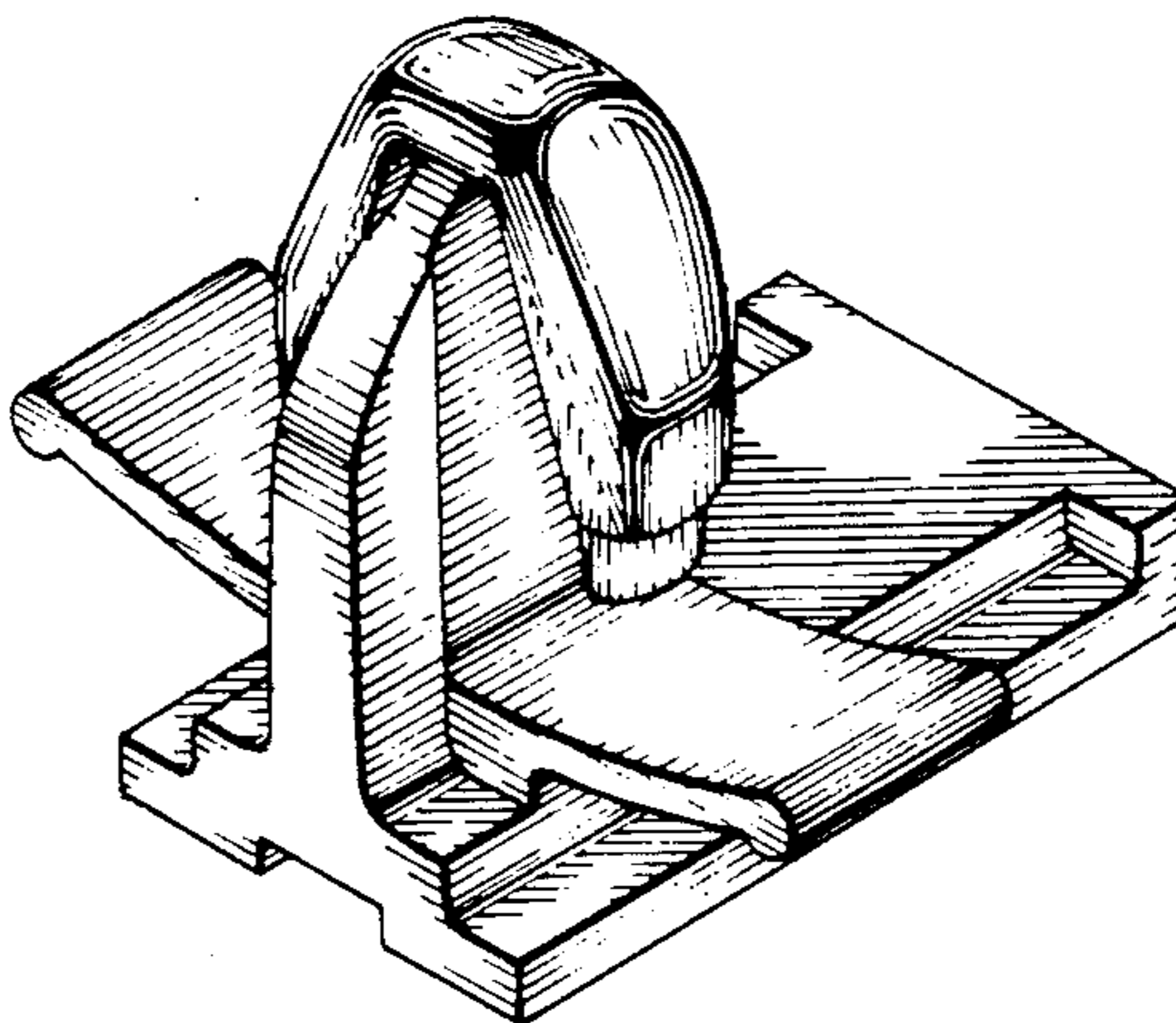
FIG. 7 is a cross-sectional view thereof as taken along line 7-7 of FIG. 2;

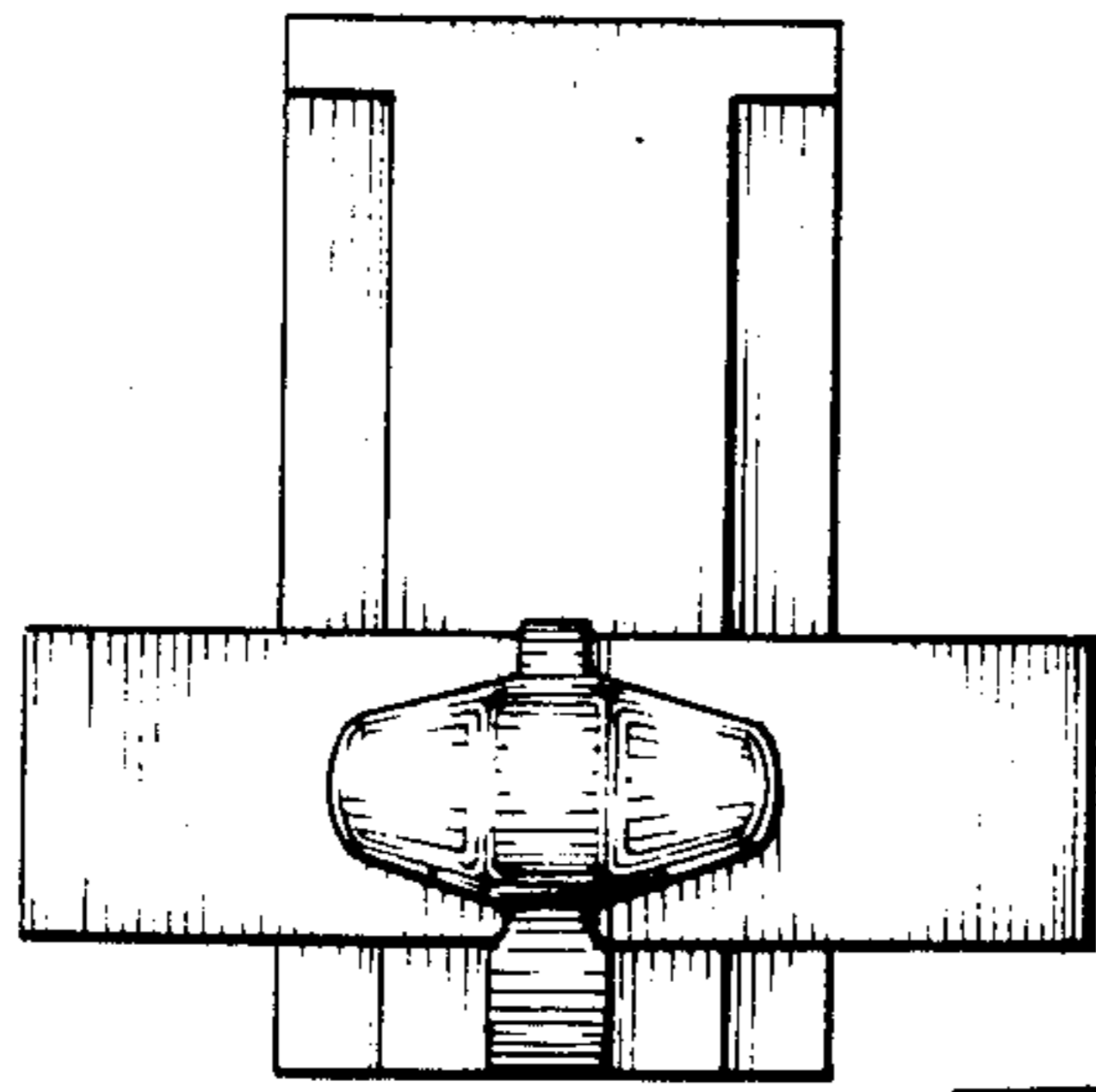
FIG. 8 is a cross-sectional view thereof as taken along line 8-8 of FIG. 2.

[56] References Cited

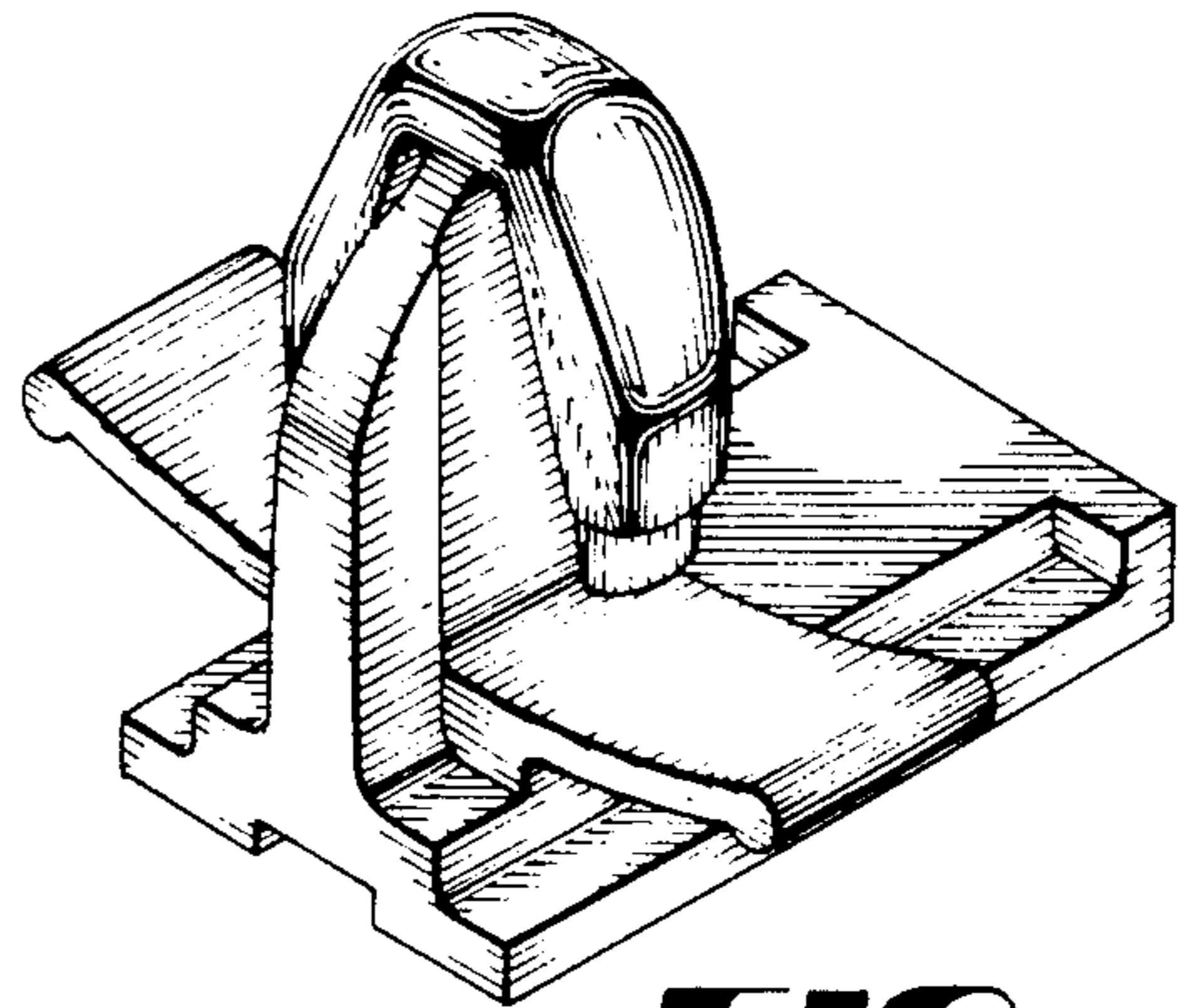
U.S. PATENT DOCUMENTS

D. 213,963	4/1969	Dinkel	.....	D13/24
4,235,502	11/1980	Marks et al.	.....	439/557
4,509,813	4/1985	Hesse	.....	439/347

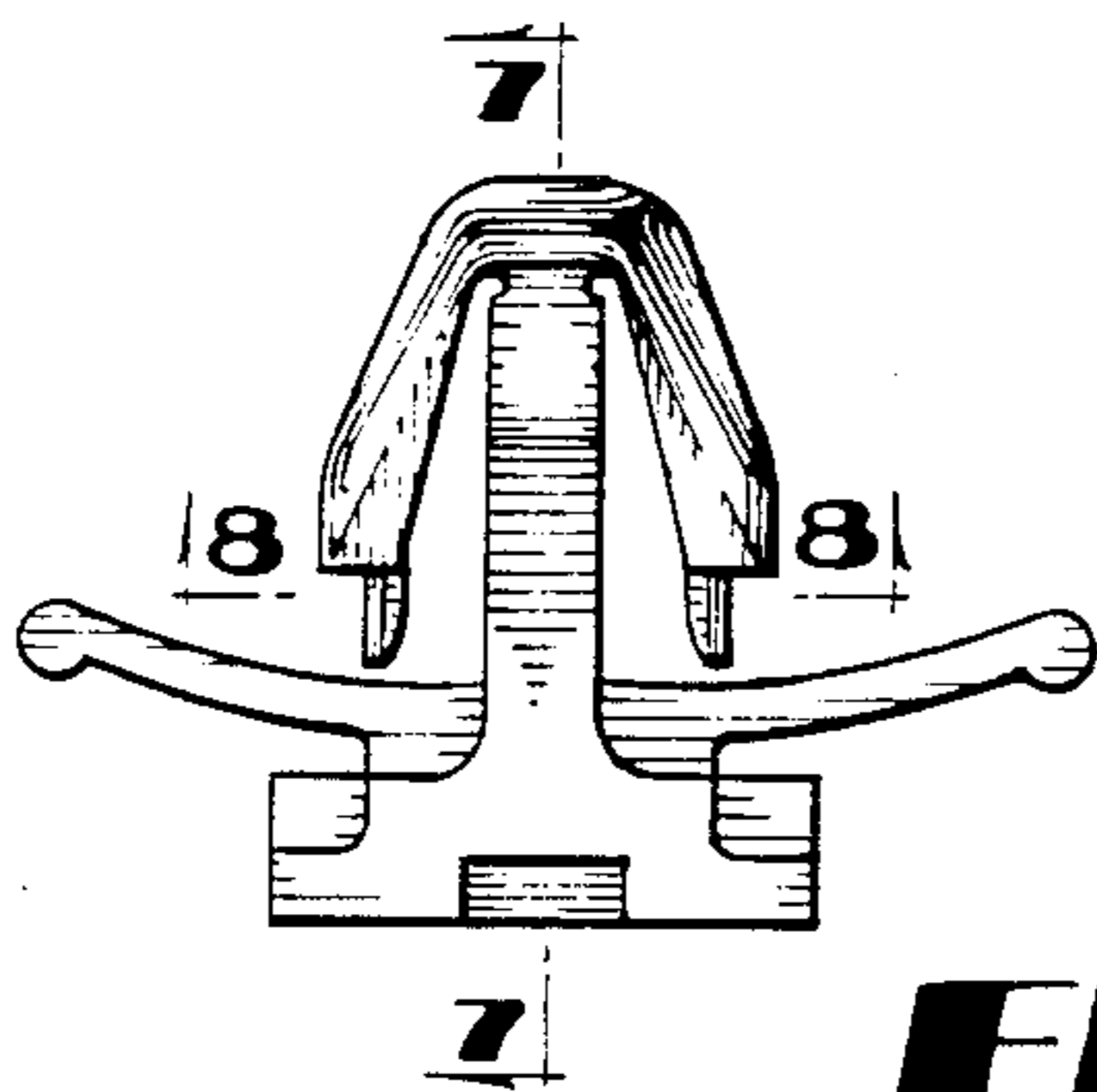




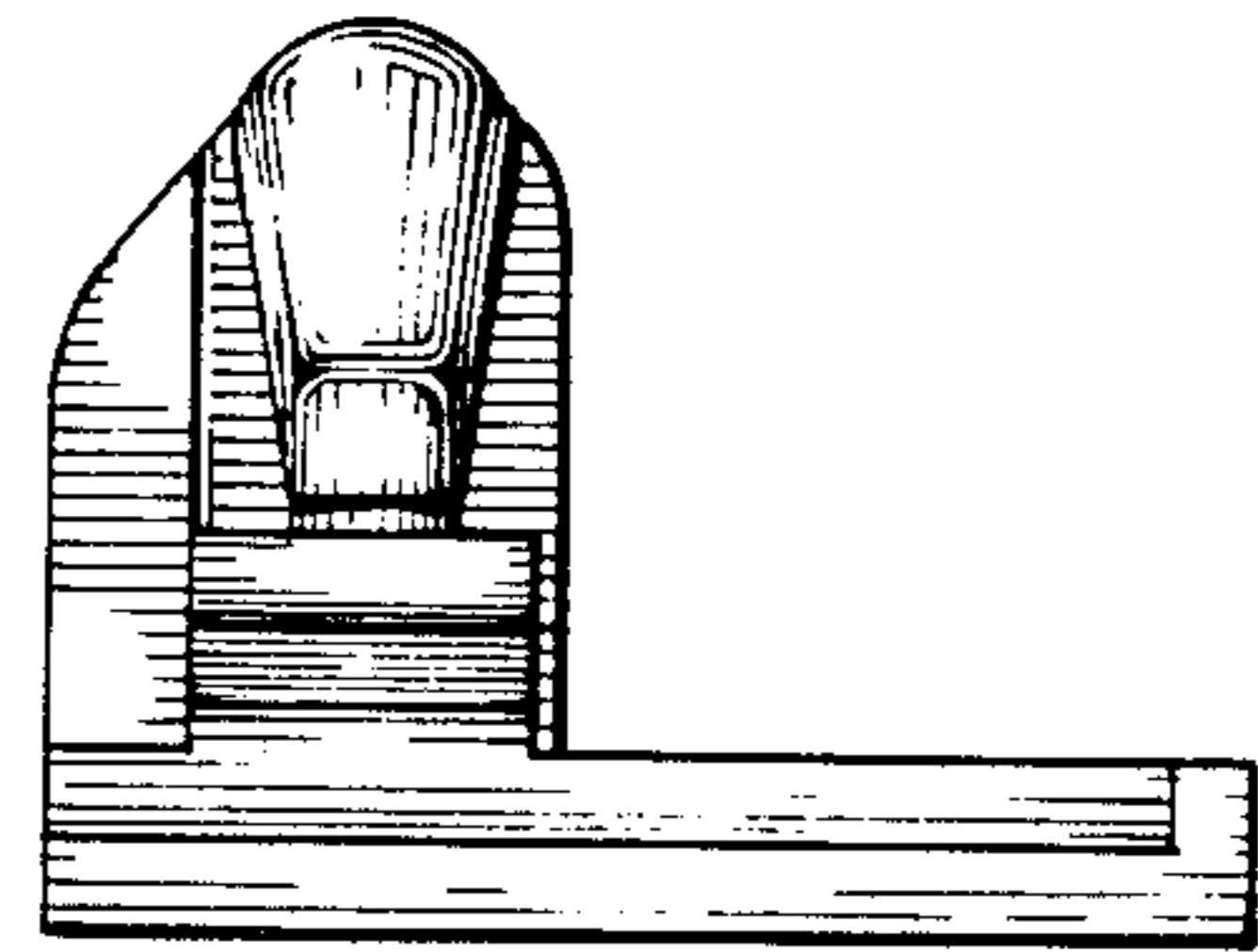
**FIG  
4**



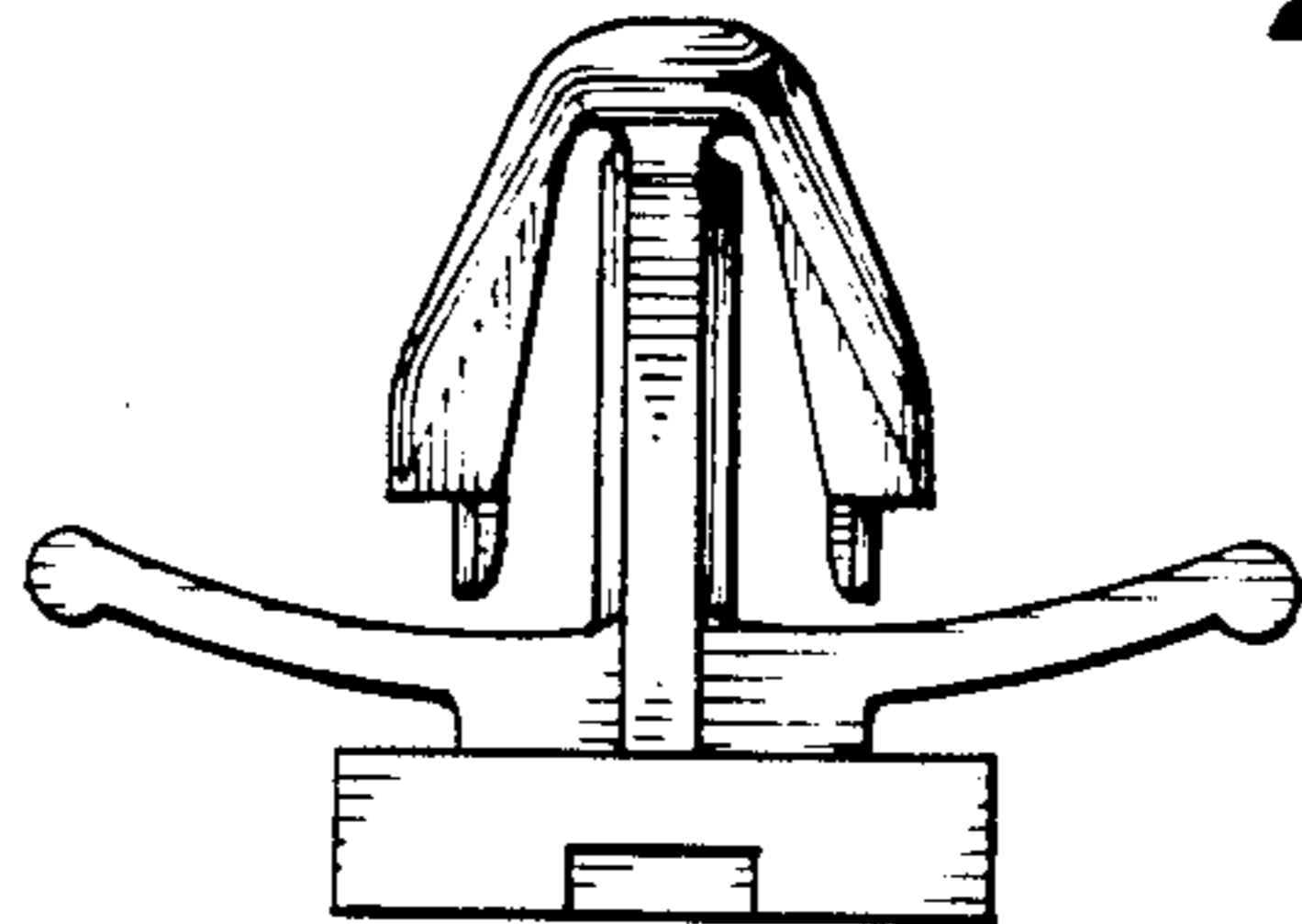
**FIG  
1**



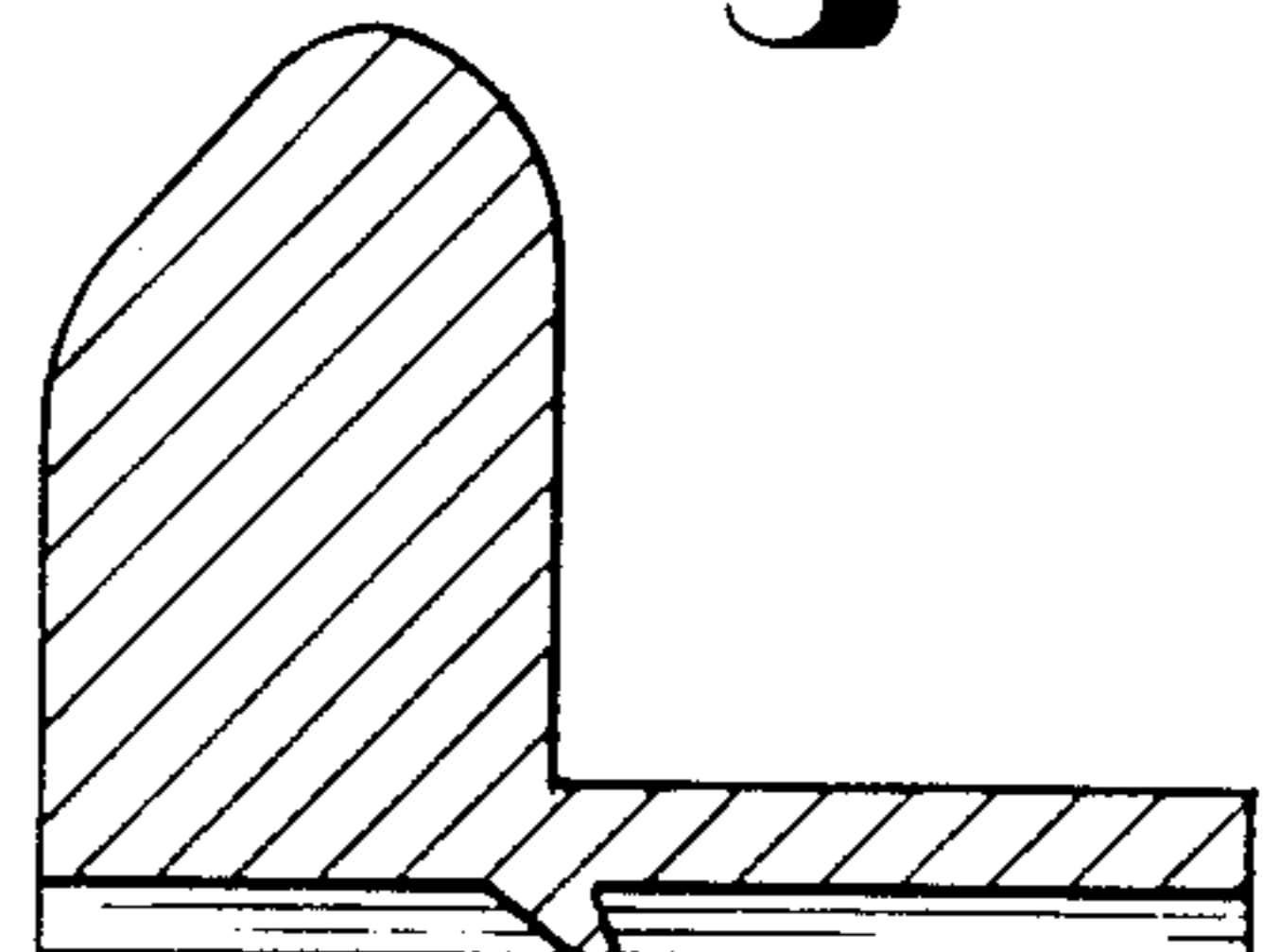
**FIG  
2**



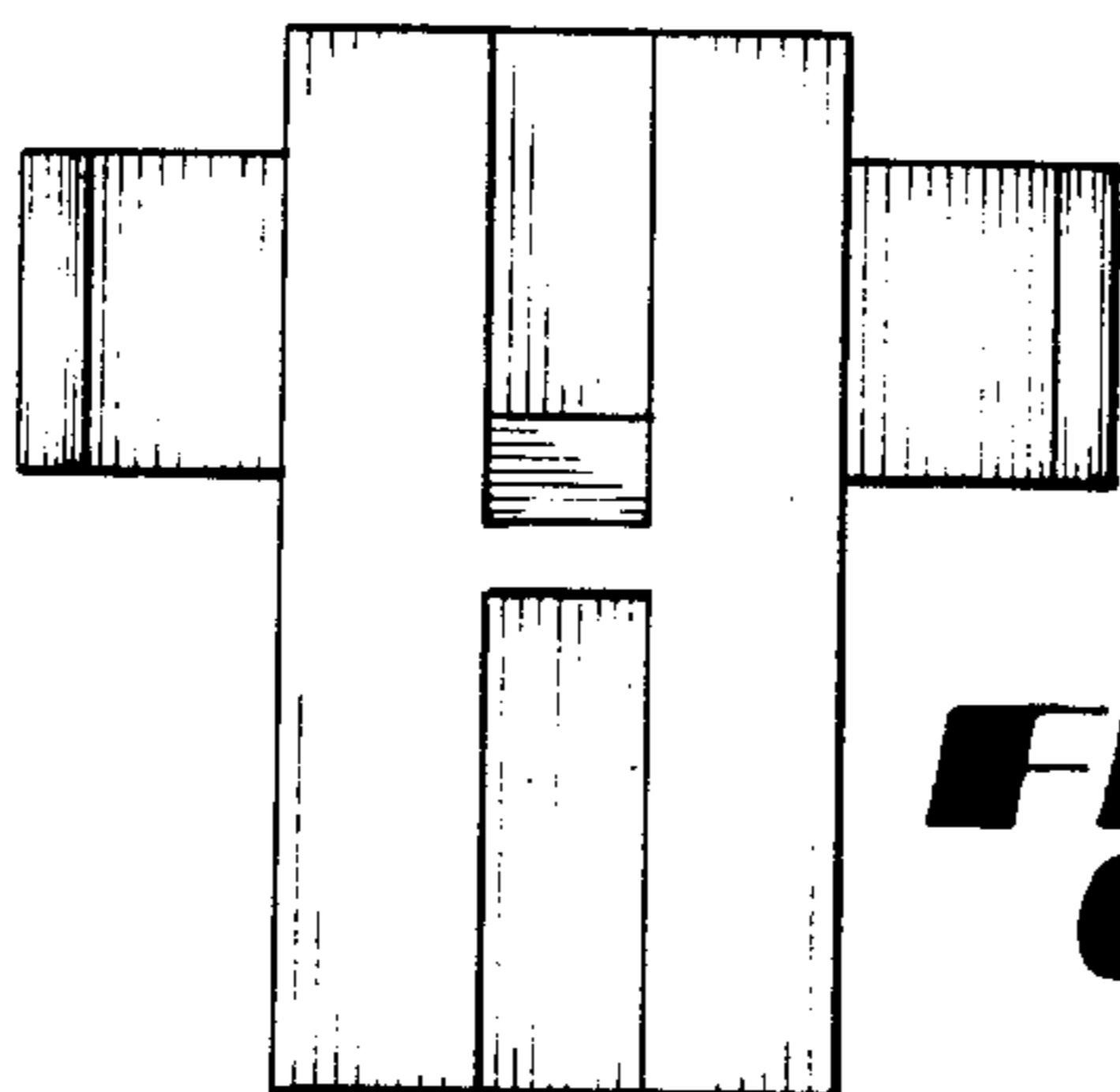
**FIG  
3**



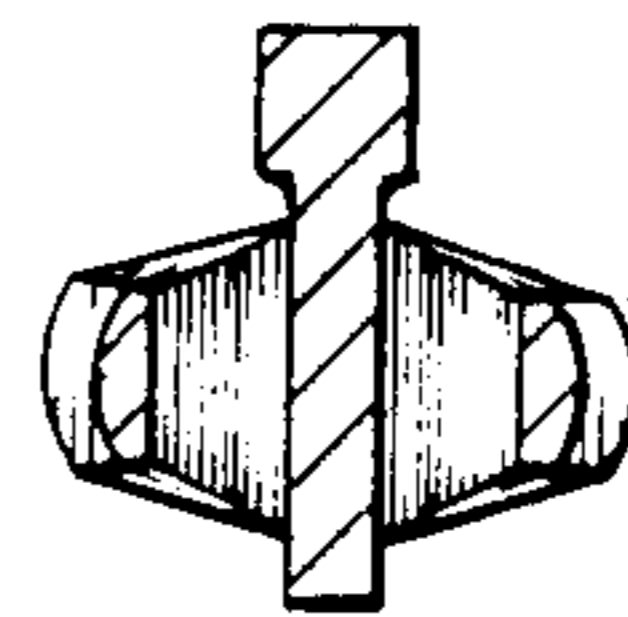
**FIG  
5**



**FIG  
7**



**FIG  
6**



**FIG  
8**