

[54] RF COAXIAL CONNECTOR

[75] Inventors: Ryusuke Amachi, Nishinomiya; Masanori Tanaka, Osaka, both of Japan

[73] Assignee: Hosiden Electronics Co. Ltd., Osaka, Japan

[\*\*] Term: 14 Years

[21] Appl. No.: 171,702

[22] Filed: Mar. 21, 1988

[30] Foreign Application Priority Data

Sep. 25, 1987 [JP] Japan ..... 62-39216
[52] U.S. Cl. .... D13/133
[58] Field of Search ..... D13/133, 151; 439/578-585, 63; 350/96.2

[56] References Cited

U.S. PATENT DOCUMENTS

4,659,156 4/1987 Johnescu et al. .... 439/63
4,710,138 12/1987 Bradley et al. .... 439/63 X
4,741,703 5/1988 Johnescu et al. .... 439/63

Primary Examiner—Susan J. Lucas
Assistant Examiner—Joel Sincavage
Attorney, Agent, or Firm—Pollock, Vande Sande and Priddy

[57] CLAIM

The ornamental design for a RF coaxial connector, as shown and described.

DESCRIPTION

FIG. 1 is a front perspective view of a RF coaxial connector showing our new design;
FIG. 2 is a front elevational view thereof;
FIG. 3 is a right side elevational view thereof;
FIG. 4 is a rear elevational view thereof;
FIG. 5 is a left side elevational view thereof;
FIG. 6 is a top plan view thereof, and
FIG. 7 is a bottom plan view thereof.

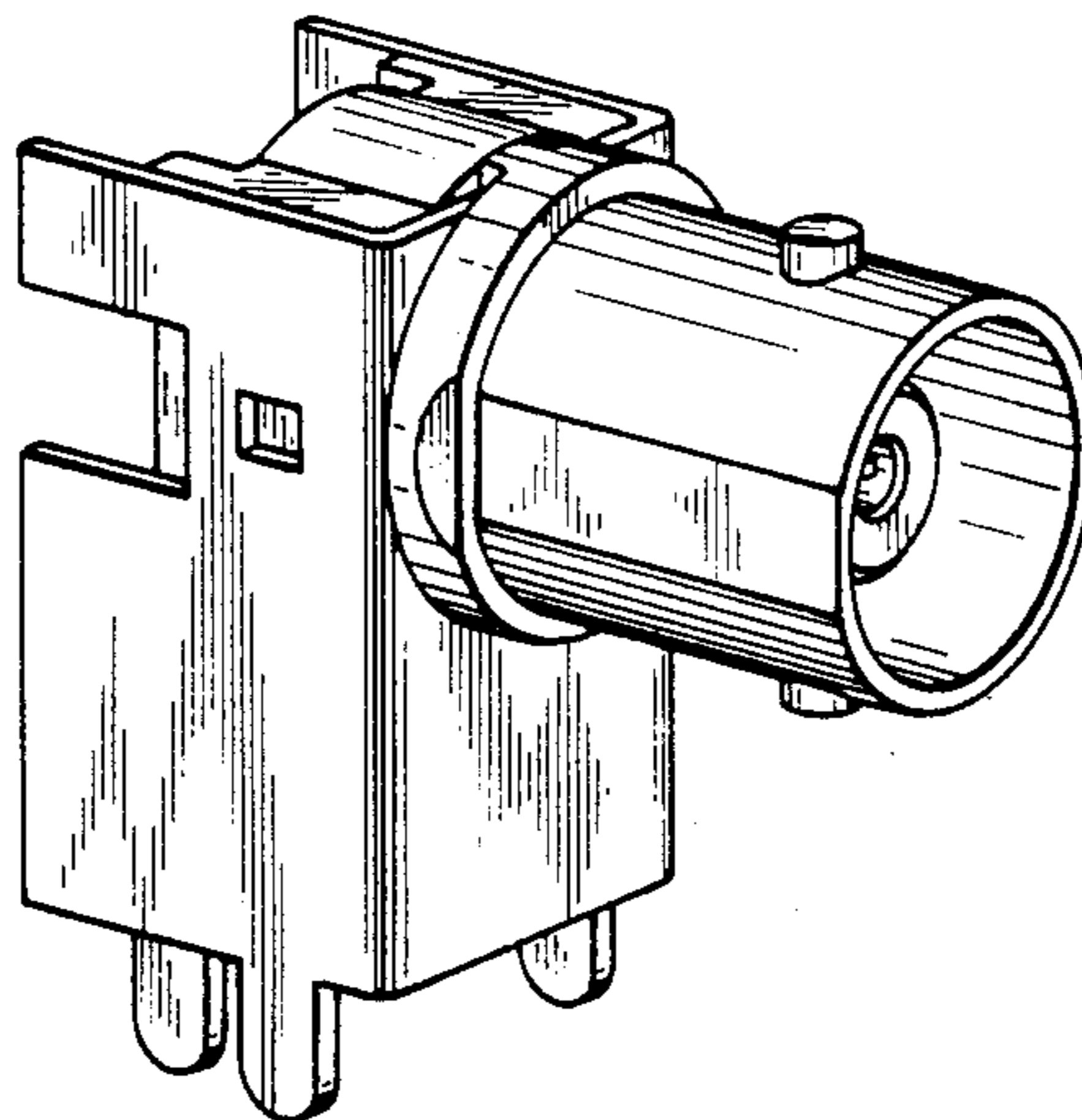


FIG. 1

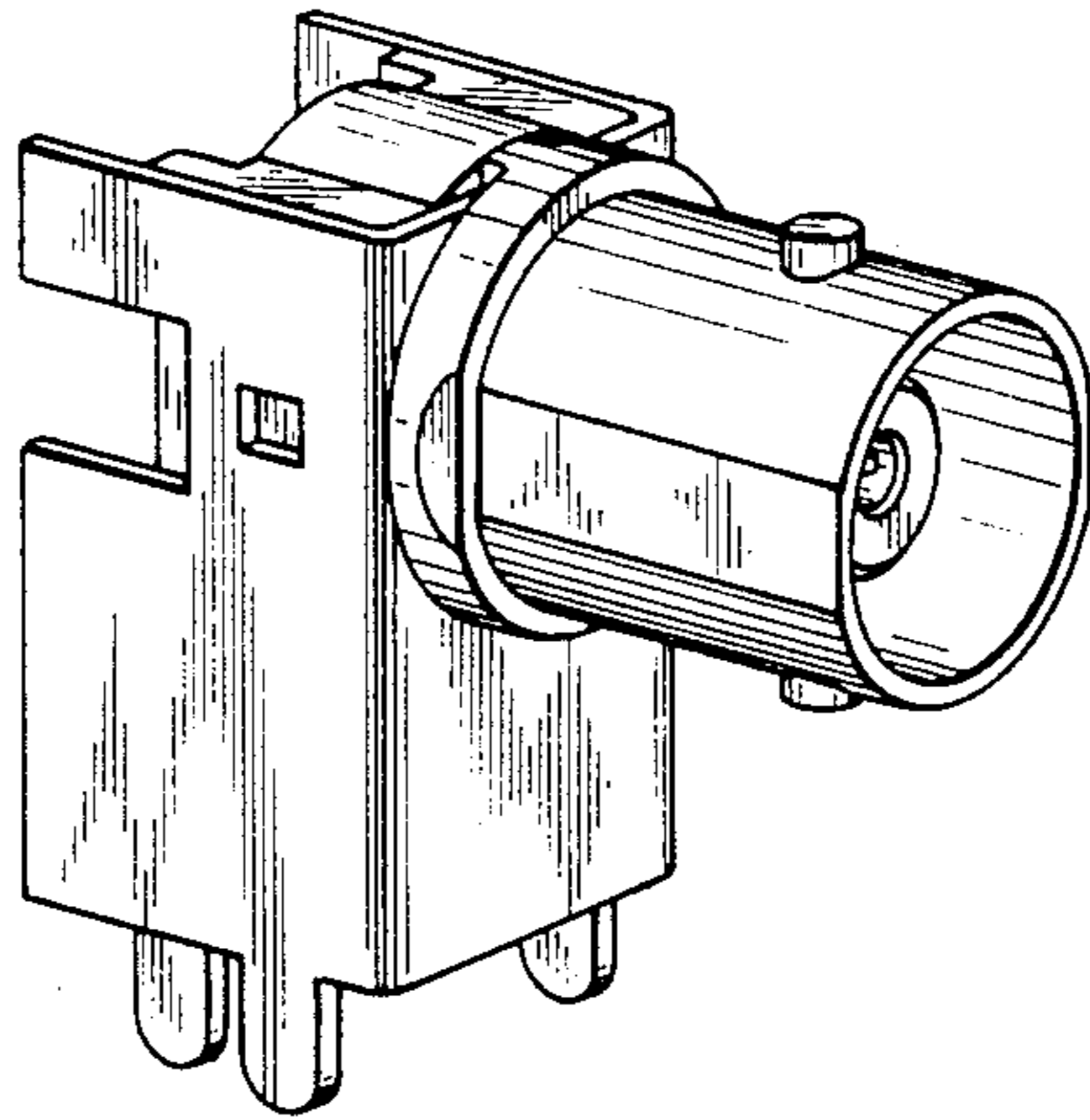


FIG. 2

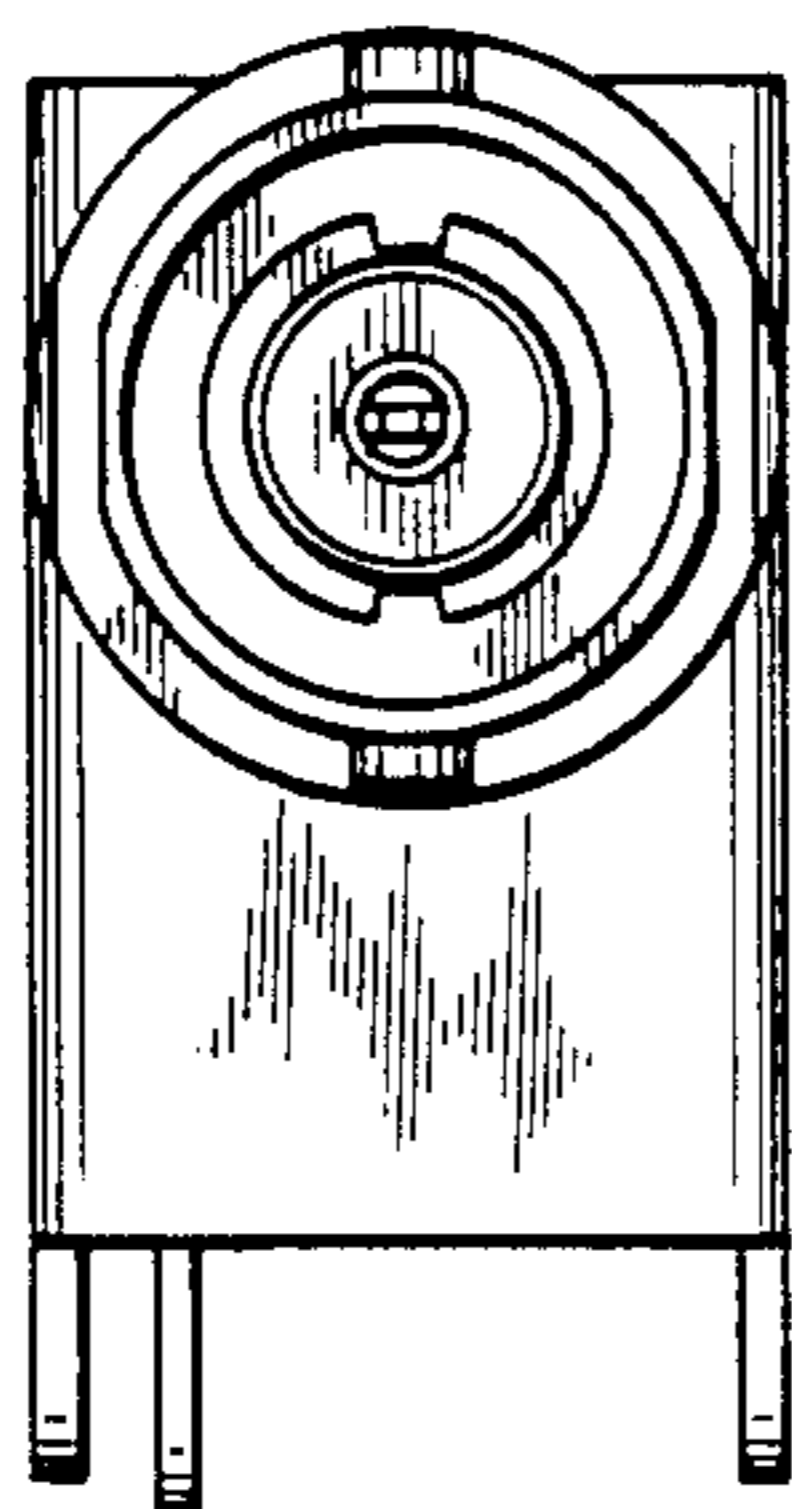


FIG. 3

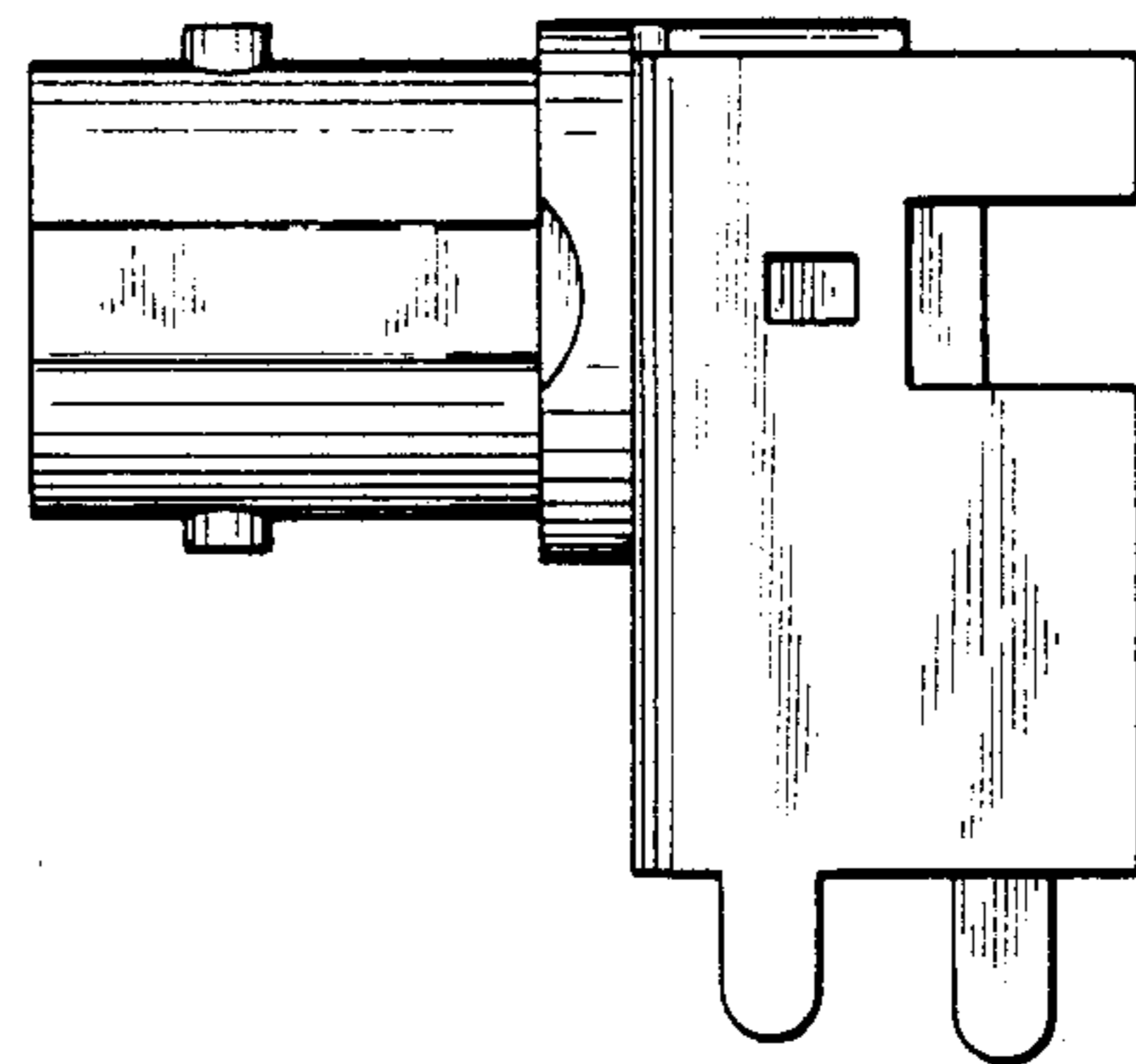


FIG. 4

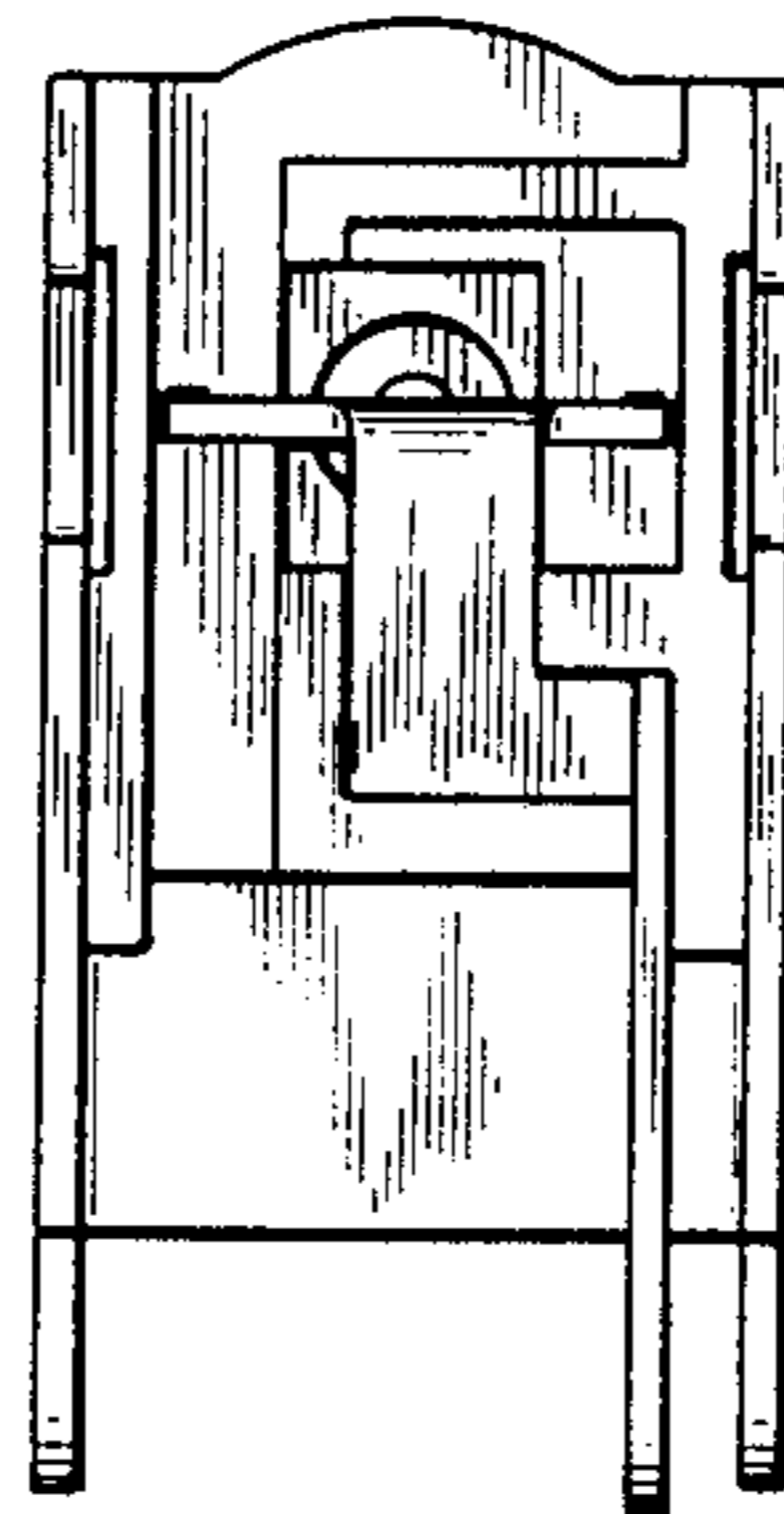


FIG. 5

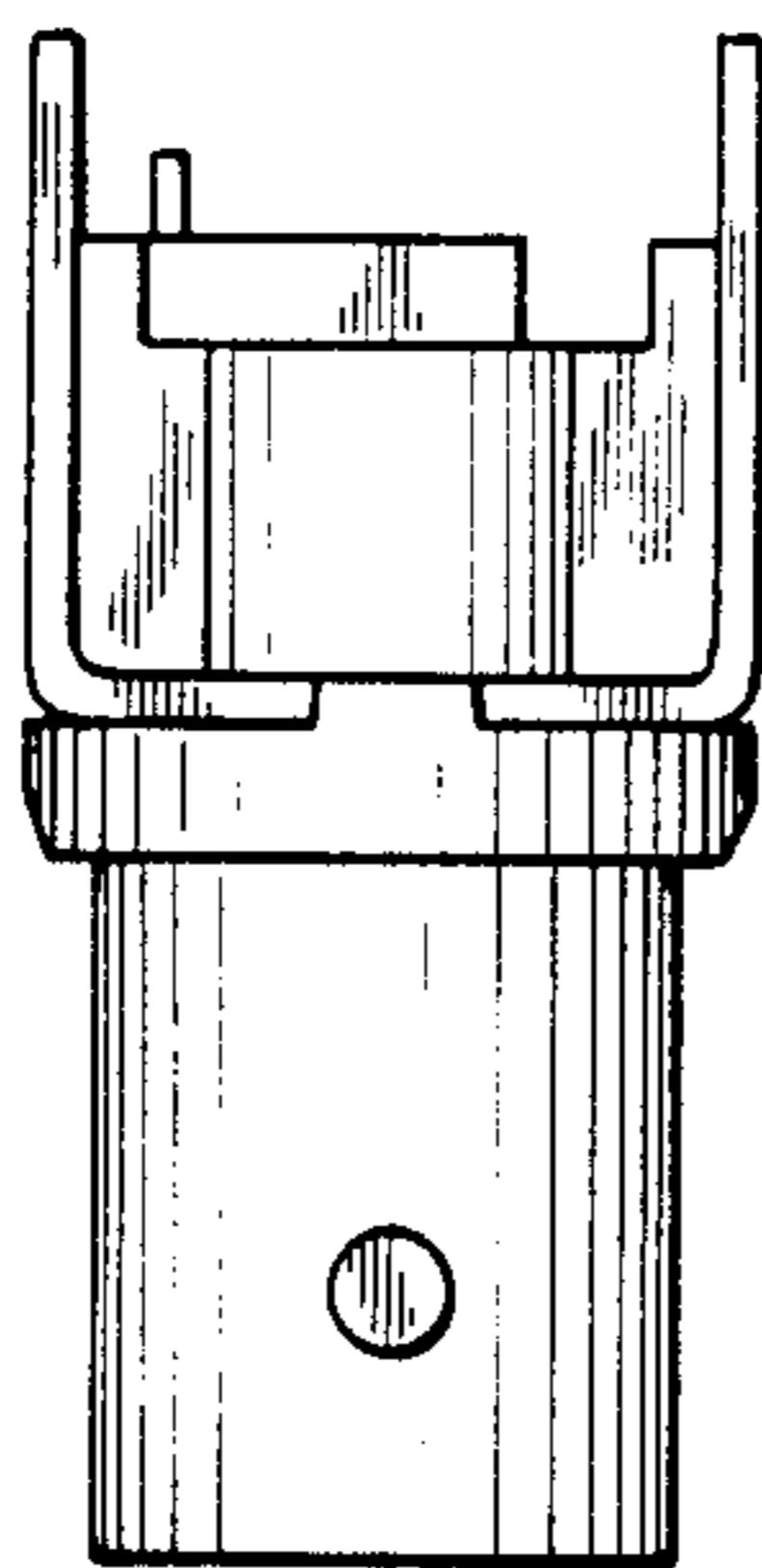


FIG. 6

