

[54] COMBINED SOUND ACTIVATED SWITCH AND COVER PLATE

[75] Inventors: Douglas Watson, Stamford, Conn.; Saul Rosenbaum, East Meadow; Joseph G. Justiniano, Bethpage; Lester Rivera, Glendale, all of N.Y.

[73] Assignee: Leviton Manufacturing Co., Inc., Little Neck, N.Y.

[**] Term: 14 Years

[21] Appl. No.: 230,923

[22] Filed: Aug. 11, 1988

[52] U.S. Cl. D13/158; D8/353

[58] Field of Search D8/350-353; D13/32; 200/61.01; 174/66; 220/241; 439/135; 323/905

[56] References Cited

U.S. PATENT DOCUMENTS

2,957,957 10/1960 Johnson 200/61.01
4,230,317 10/1980 Breslow 200/61.01

FOREIGN PATENT DOCUMENTS

1585760 3/1981 United Kingdom 174/66
2098011 11/1982 United Kingdom 439/135

OTHER PUBLICATIONS

Sporty's Tool Shop; ©1985; p. 30; Sound Activated Switch (left of center).

Primary Examiner—B. J. Bullock
Attorney, Agent, or Firm—Paul J. Sutton

[57] CLAIM

The ornamental design for a combined sound activated switch and cover plate, as shown and described.

DESCRIPTION

FIG. 1 is a perspective view of a combined sound activated switch and cover plate showing our new design, the broken line showing of the switch housing being for illustrative purposes only;
FIG. 2 is a front elevational view thereof;
FIG. 3 is a left side elevational view thereof, the right side being a mirror image;
FIG. 4 is a top plan view thereof;
FIG. 5 is a bottom plan view thereof;
FIG. 6 is a rear elevational view thereof.

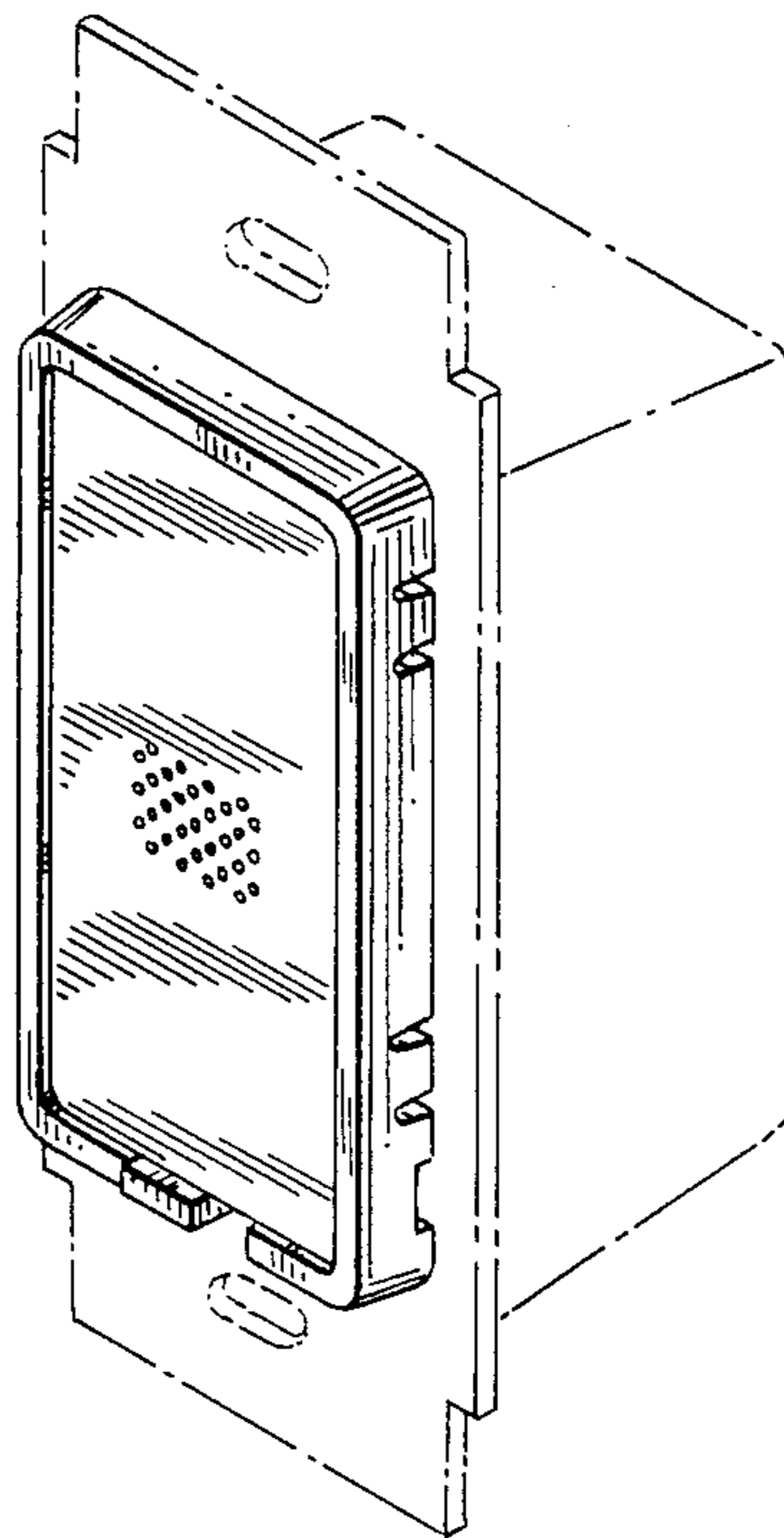


FIG. 1

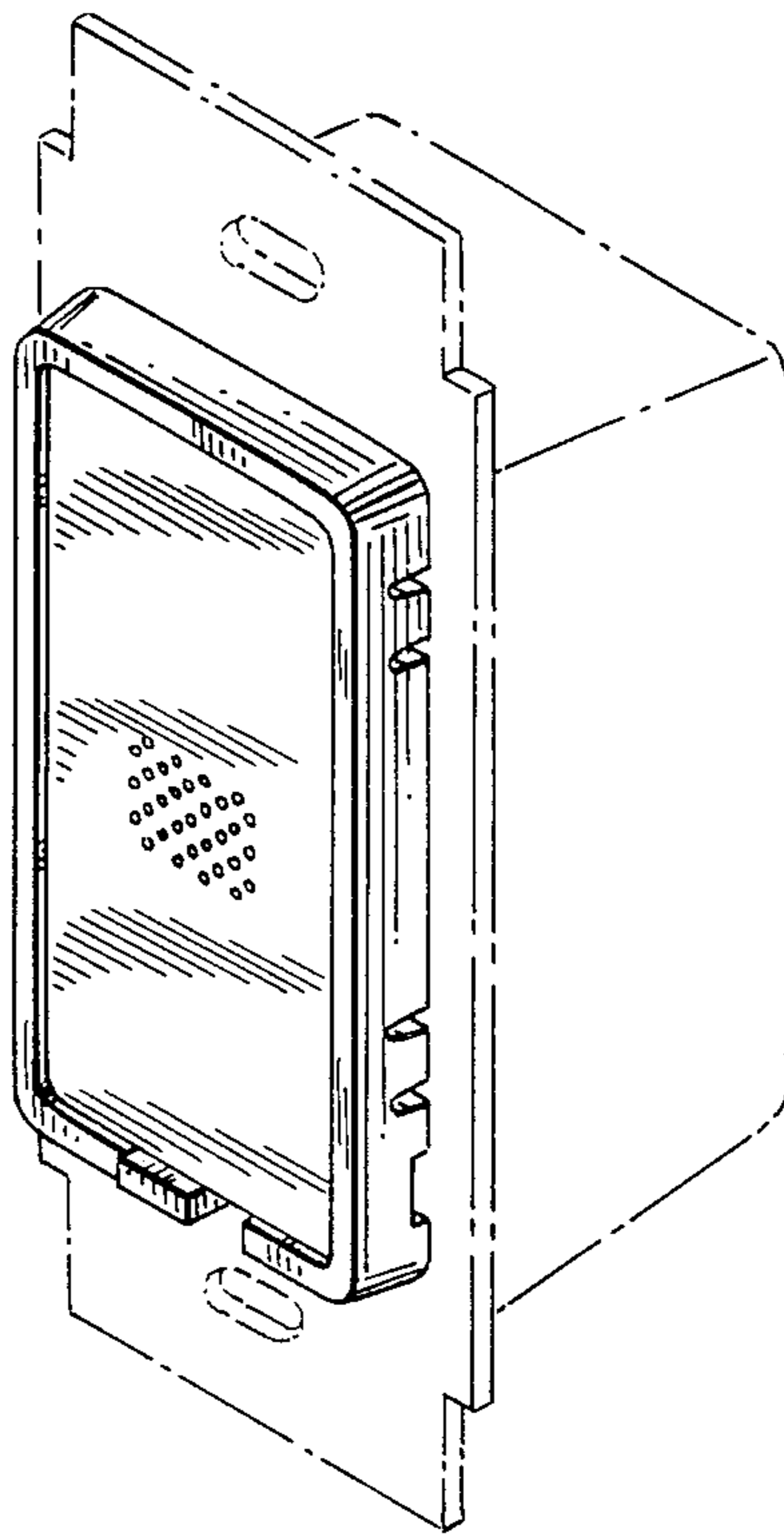


FIG. 2

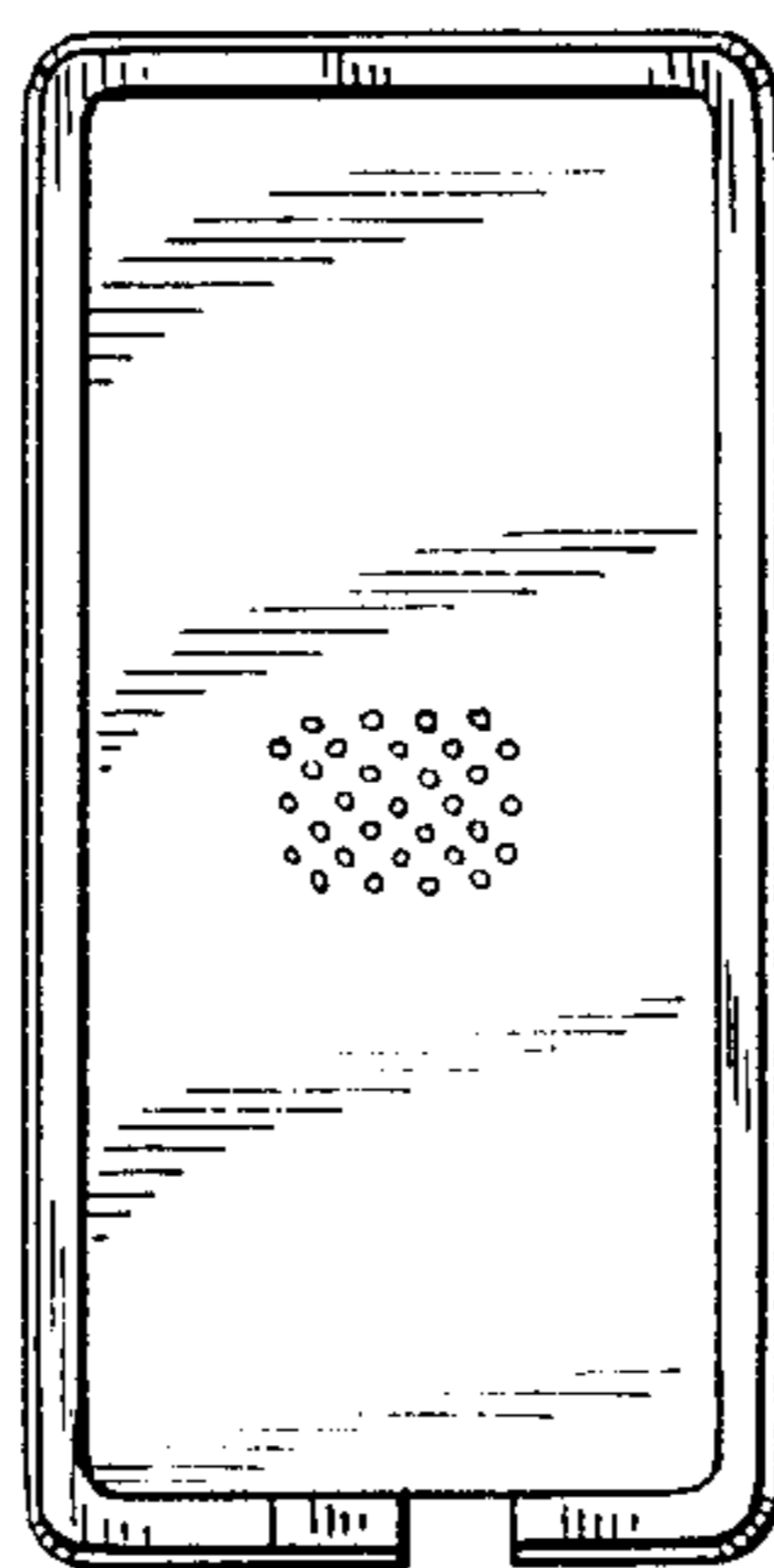


FIG. 4

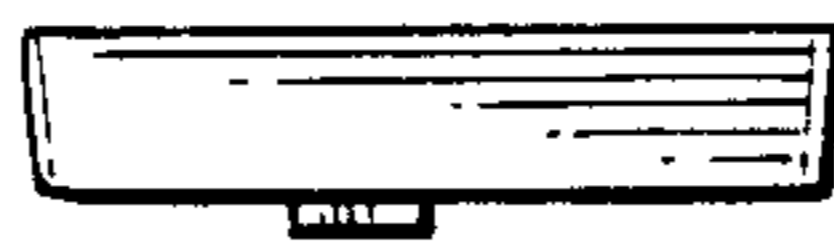


FIG. 3

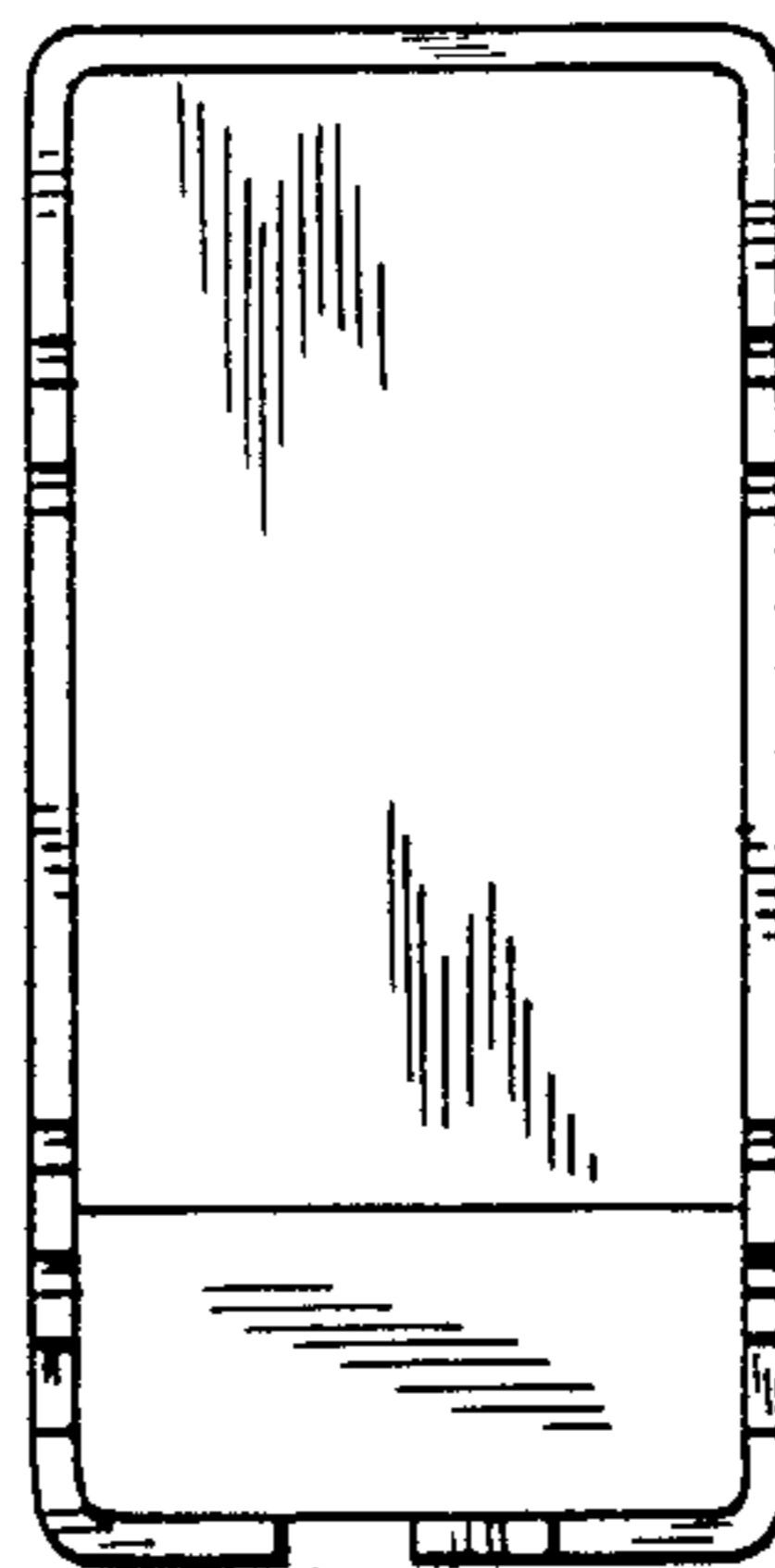


FIG. 5



FIG. 6