

United States Patent [19]

Price, Jr.

[11] Patent Number: **Des. 312,610**

[45] Date of Patent: **** Dec. 4, 1990**

[54] **TRIMARAN SAILBOAT**

[76] Inventor: **W. Robert Price, Jr., 417B Pine Rd., Ormond Beach, Fla. 32074**

[**] Term: **14 Years**

[21] Appl. No.: **250,812**

[22] Filed: **Sep. 28, 1988**

[52] U.S. Cl. **D12/304; D12/303**

[58] Field of Search **D12/300, 303, 304; 114/39.1, 39.2, 61**

[56] **References Cited**

U.S. PATENT DOCUMENTS

D. 289,392 4/1987 Gary et al. D12/304
4,136,414 1/1979 Popkin 114/61

4,852,507 8/1989 Rym et al. D12/303
4,856,445 8/1989 Kiper D12/303

Primary Examiner—Kay H. Chin
Attorney, Agent, or Firm—Tilton, Fallon, Lungmus

[57] **CLAIM**

The ornamental design for a trimaran sailboat, as shown and described.

DESCRIPTION

FIG. 1 is a top and right side perspective view of a trimaran sailboat showing my new design; FIG. 2 is a left side elevational view thereof; FIG. 3 is a top plan view thereof; FIG. 4 is a front elevational view thereof; and FIG. 5 is a top plan view thereof without the sail, the sail has been omitted for clarity of illustration.

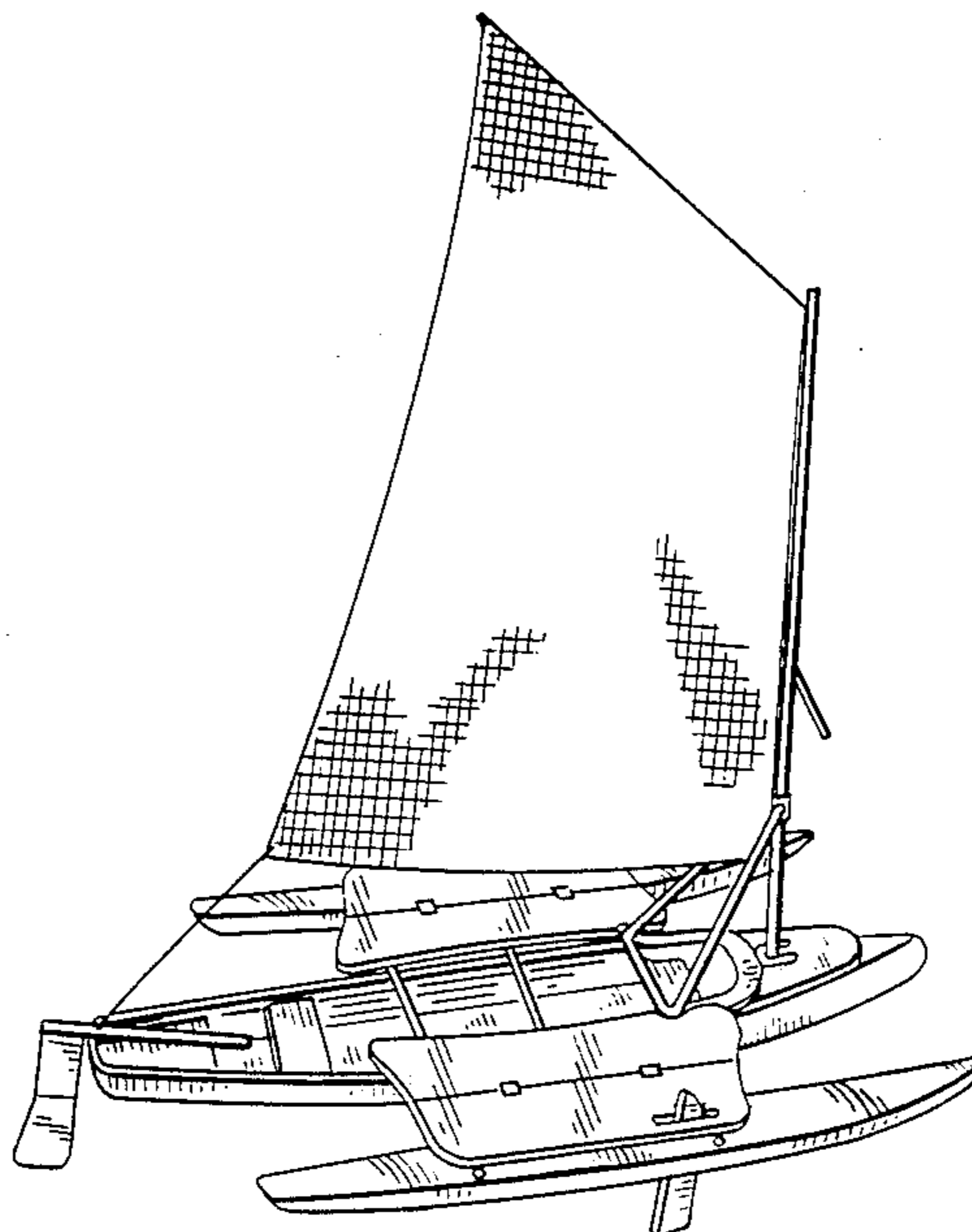


FIG. 1

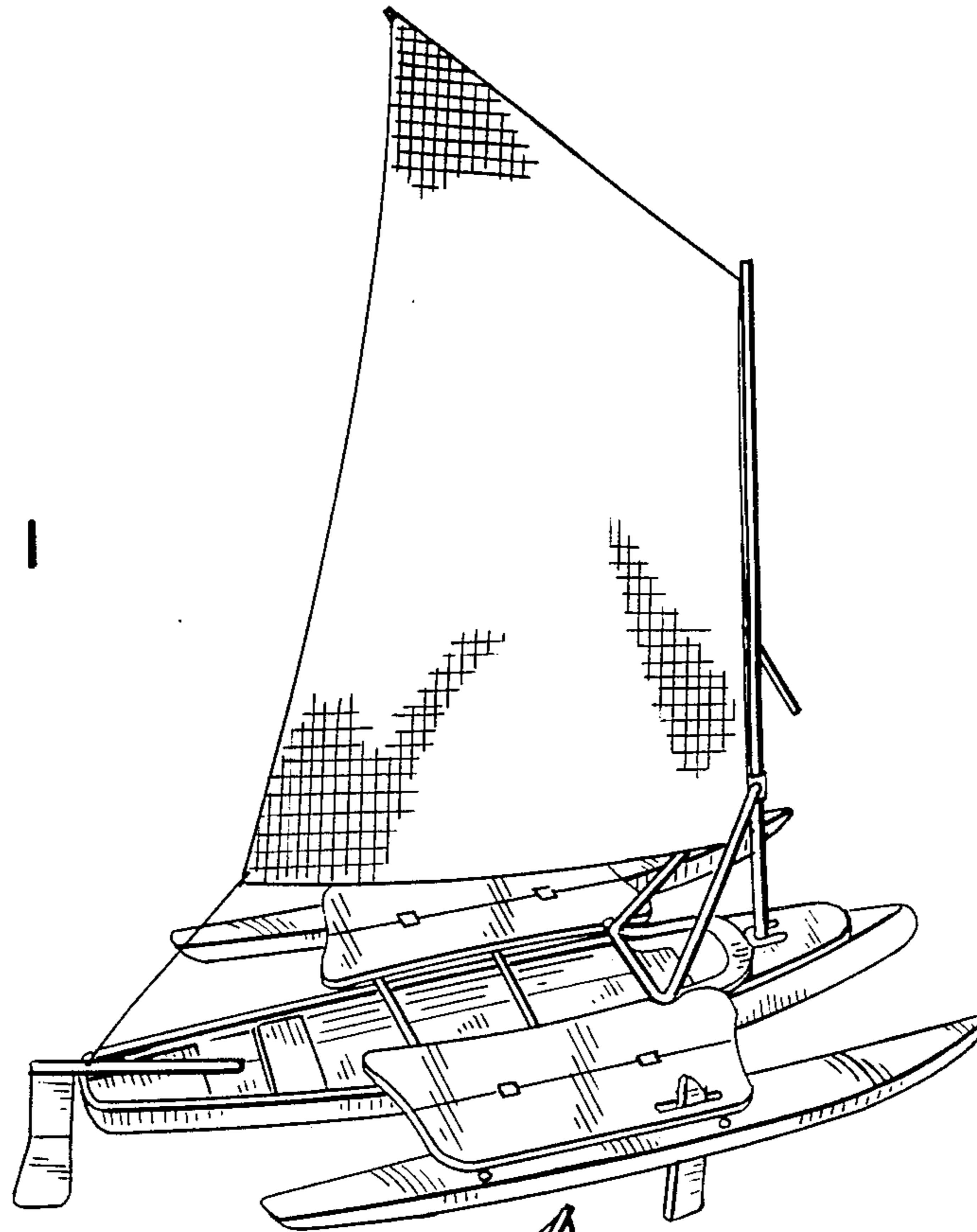


FIG. 2

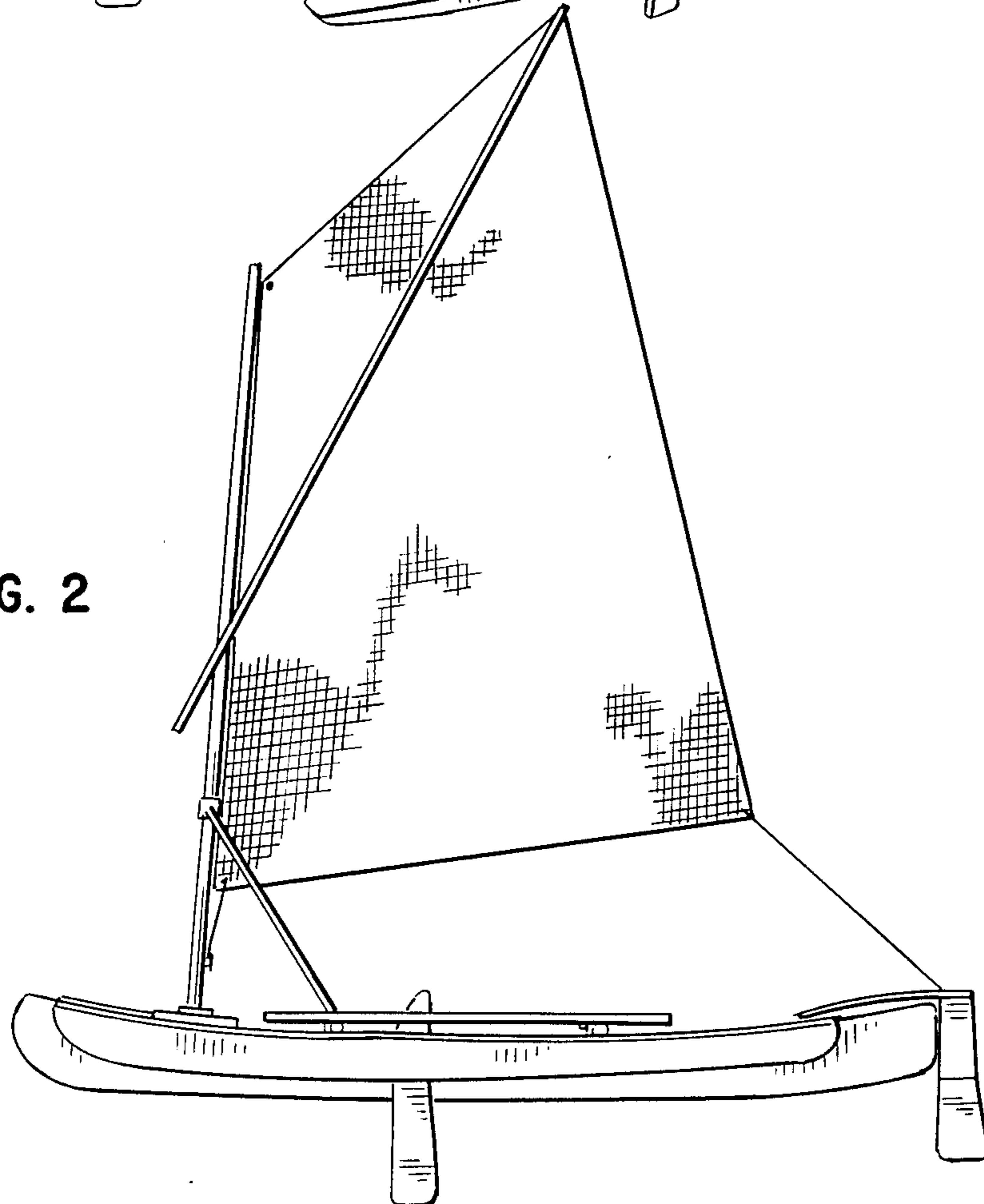


FIG. 3

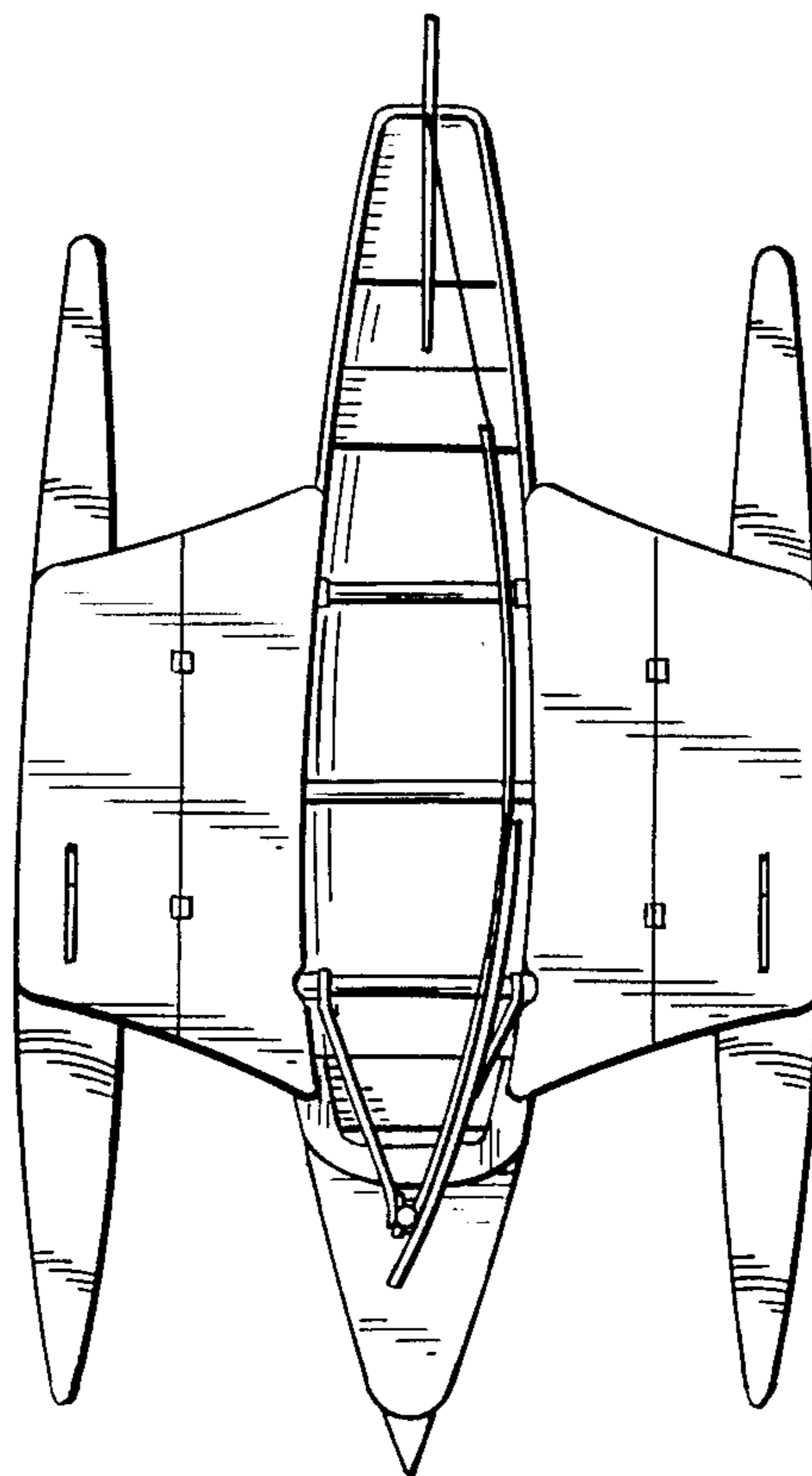


FIG. 4

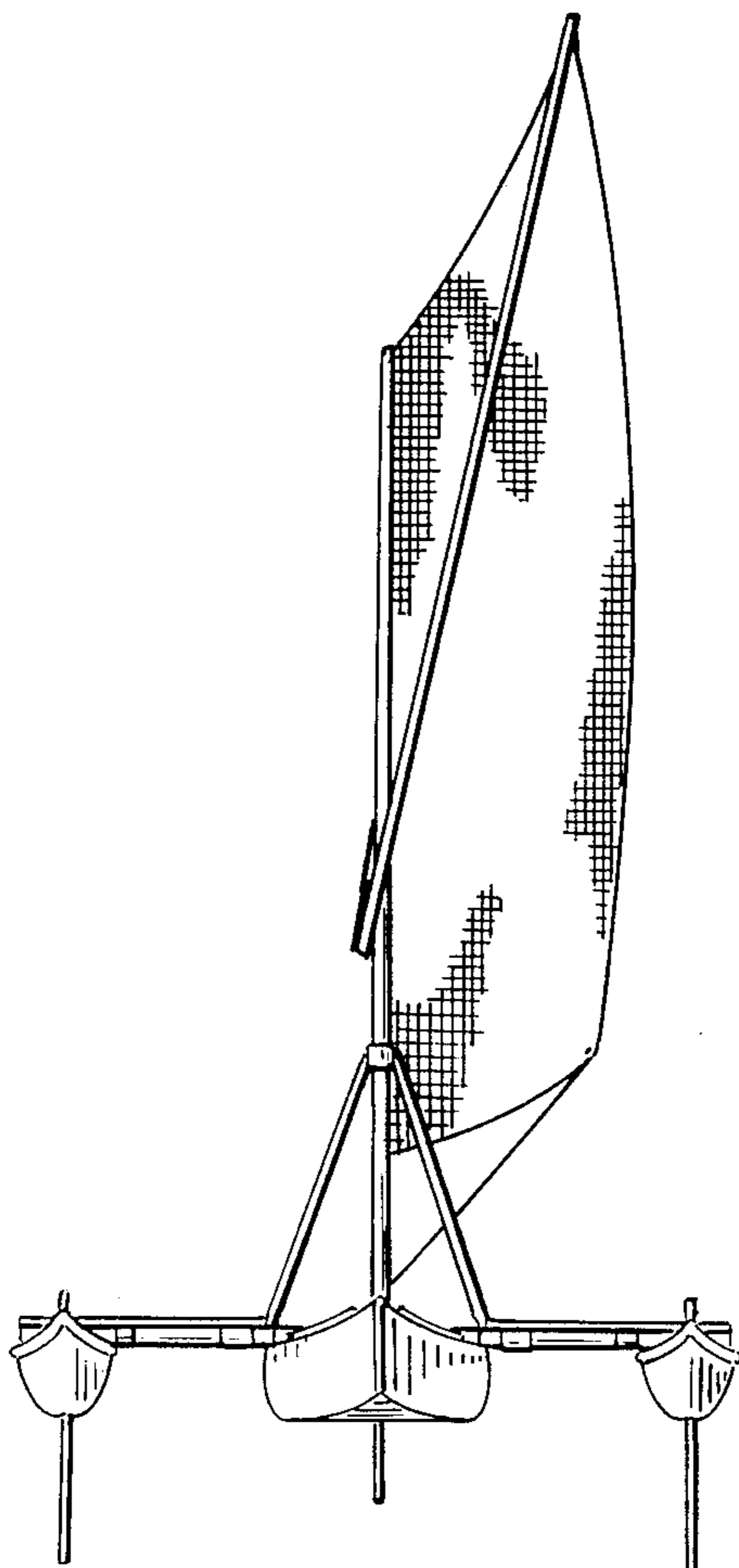


FIG. 5

