

[54] AUTOMOBILE VEHICLE GRILL

[76] Inventors: **Giorgio Guelfi**, Via Medardo Rosso, 16 - Milan; **Ezio Villa**, Via Martiri della Liberta, 2 - Arese (Milan); **Franco Mendicino**, Via Mazzini, 15 - Arese (Milan); **Renato Pasquali**, Via Roma, 89 - Garbagnate (Milan); **Alberto Alberti**, Via Asti, 9 - Legnano (Milan), all of Italy

[**] Term: 14 Years

[21] Appl. No.: 366,411

[22] Filed: Jun. 15, 1989

Related U.S. Application Data

[62] Division of Ser. No. 18,981, Feb. 25, 1987.
[52] U.S. Cl. D12/163
[58] Field of Search D12/163; 180/68.6

[56] References Cited
PUBLICATIONS

Motor Trend, 11/86, p. 25, Front Grill of Alfa Romeo Milano, bottom of page.
Car & Driver, 2/86, p. 29, Front Grill of Alfa Romeo 164, top of page.
Road & Track, 10/84, p. 34, Front Grill of Alfa Romeo 90, bottom left side of page.
Alfa Romeo Alfetta brochure, p. 3, Front Grill of Alfetta, left side of page.

Primary Examiner—James M. Gandy
Attorney, Agent, or Firm—Charles E. Brown; Charles A. Brown

[57] CLAIM

The ornamental design for an automobile vehicle grill, as shown and described.

DESCRIPTION

FIG. 1 is a front elevation view of an automobile vehicle grill showing our new design;
FIG. 2 is a section view taken along line 2—2 of FIG. 1;

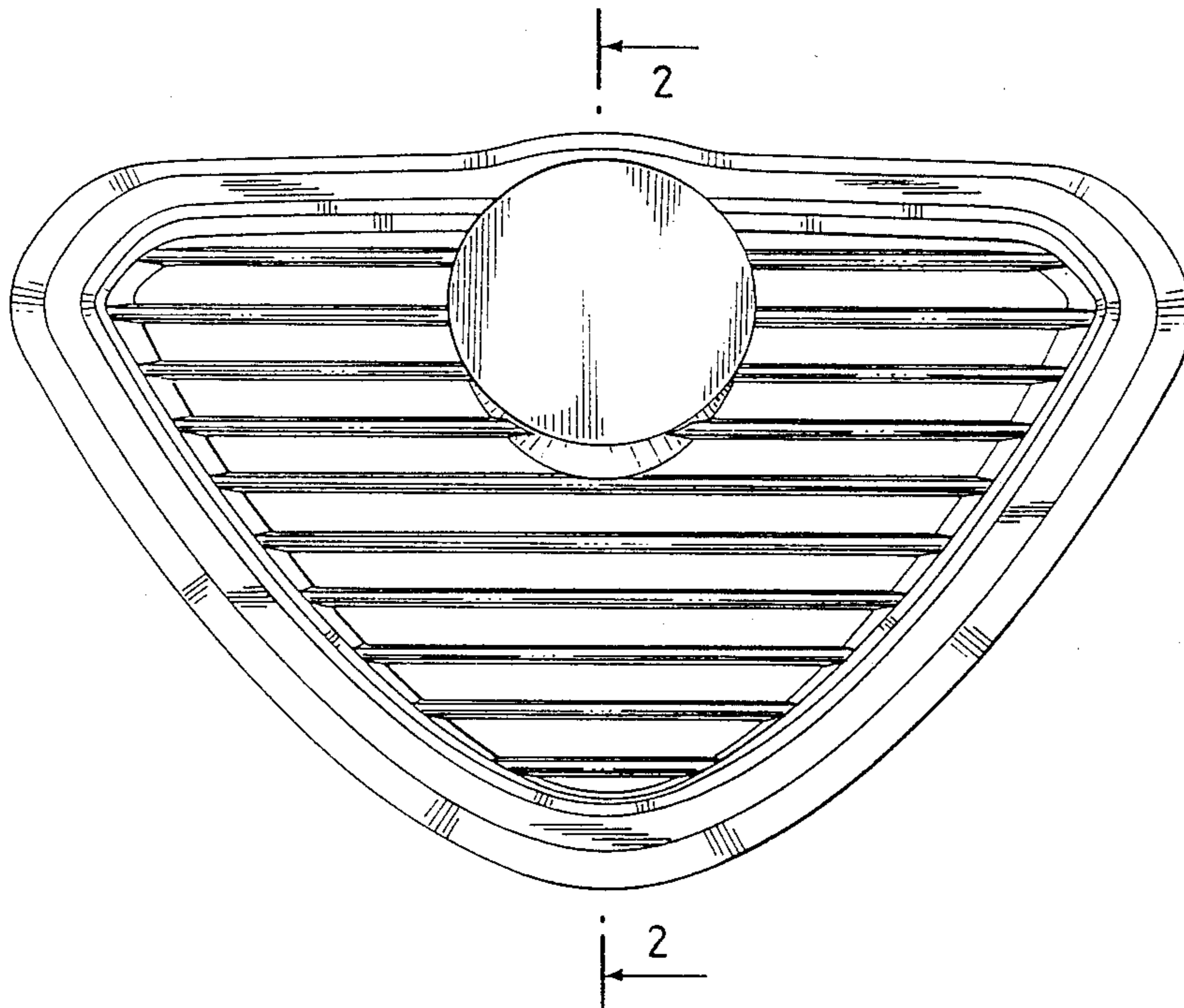


Fig.1

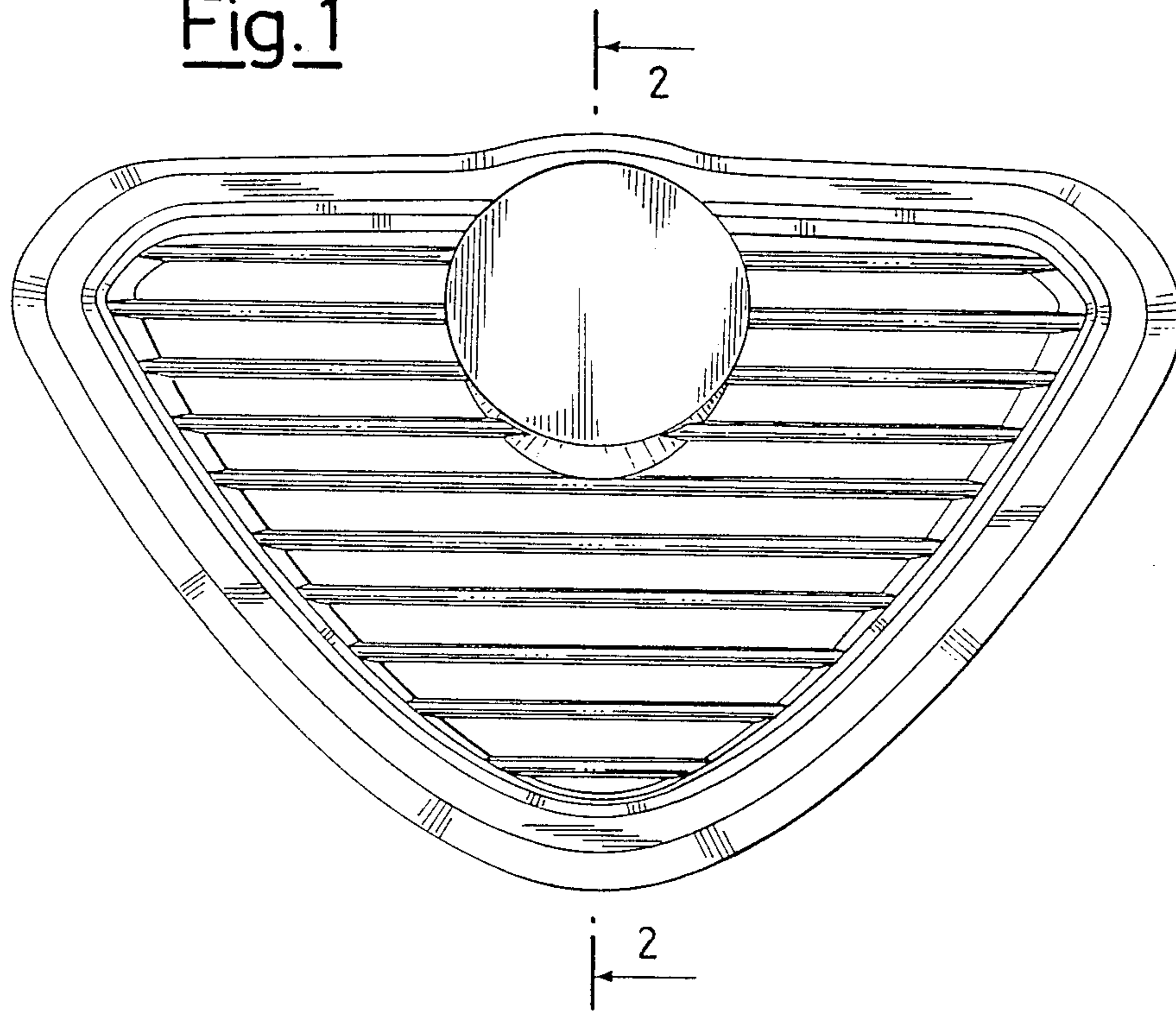
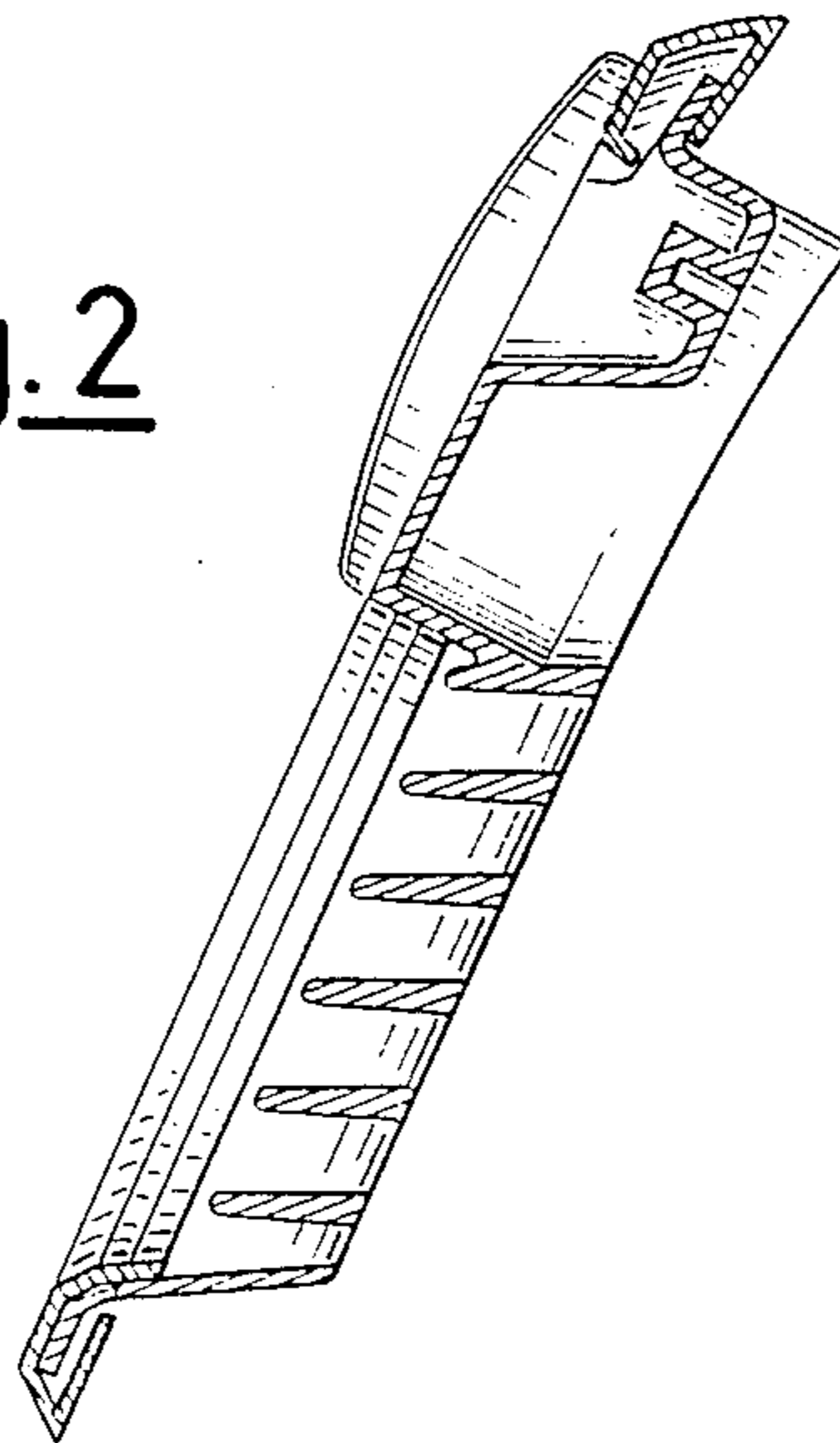
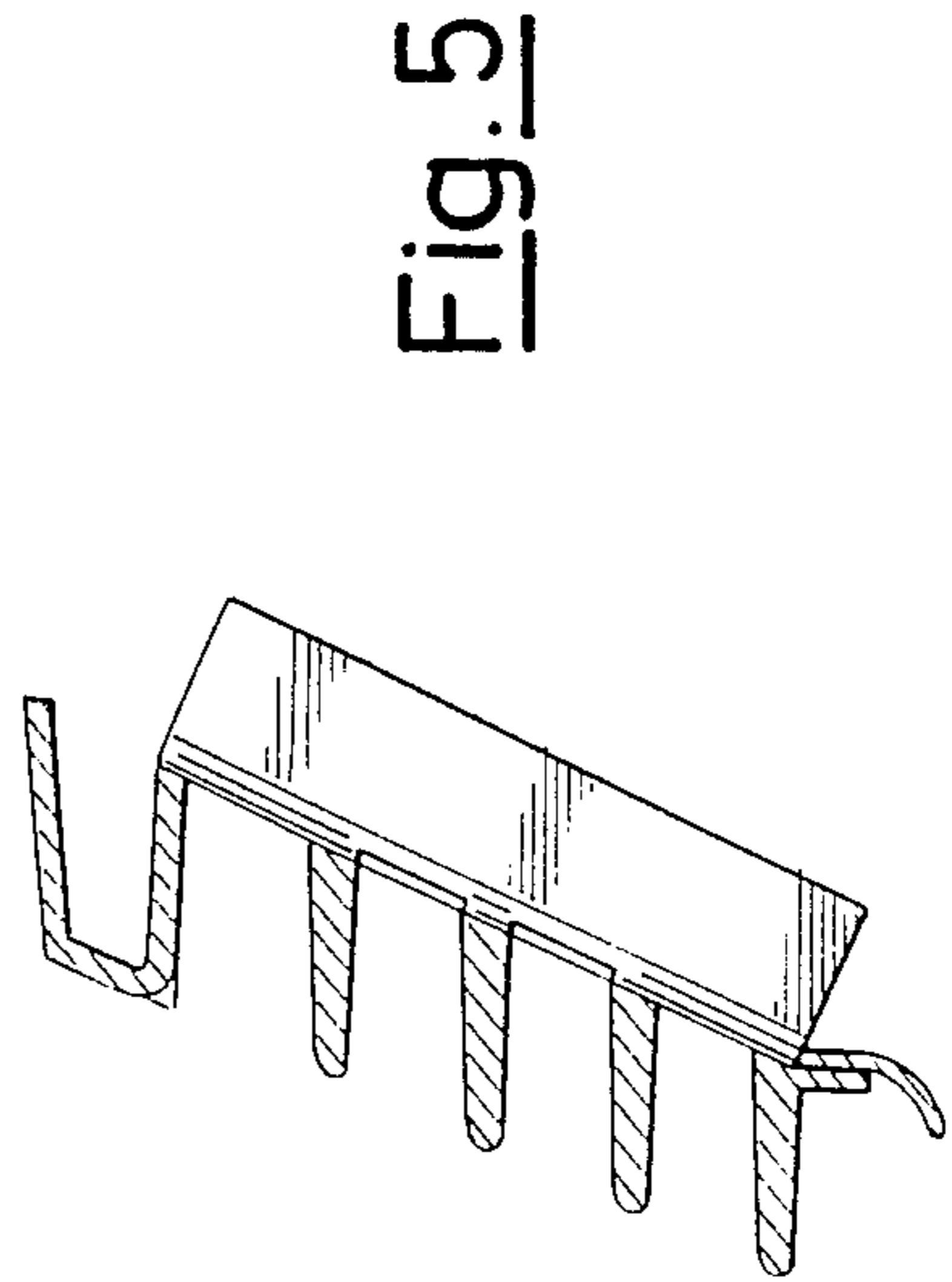
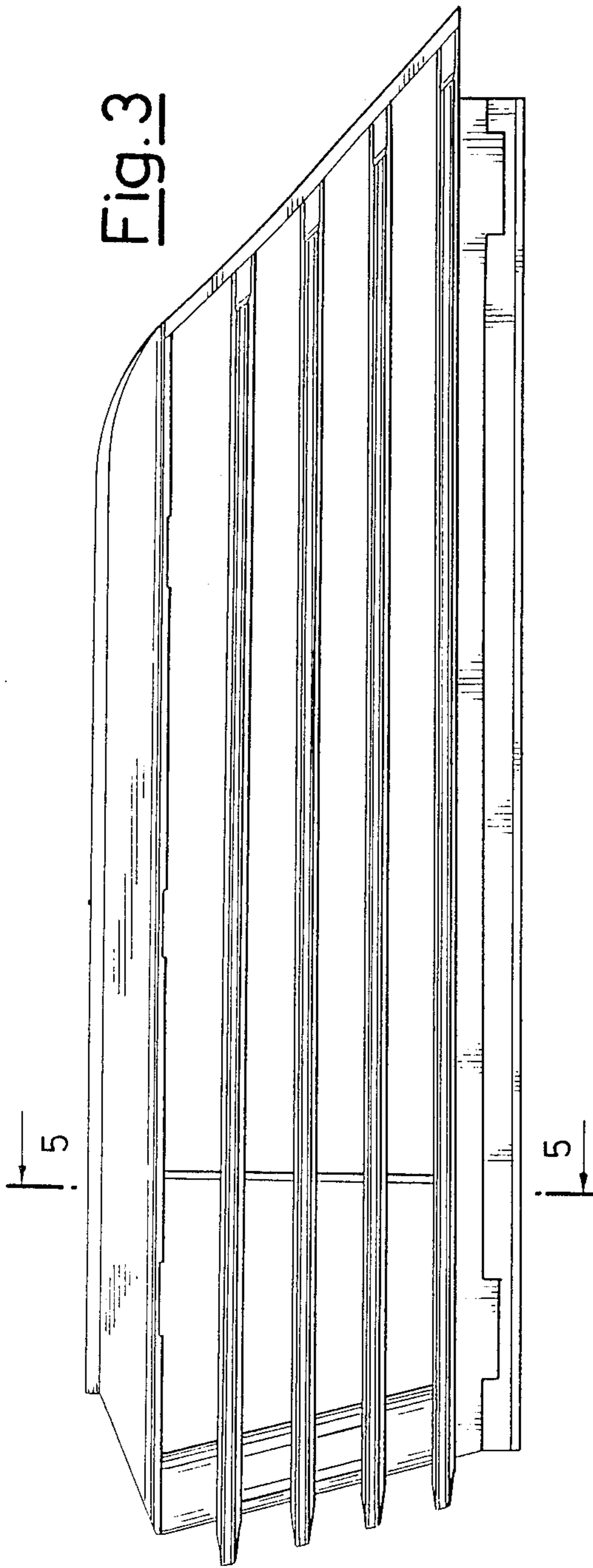


Fig.2





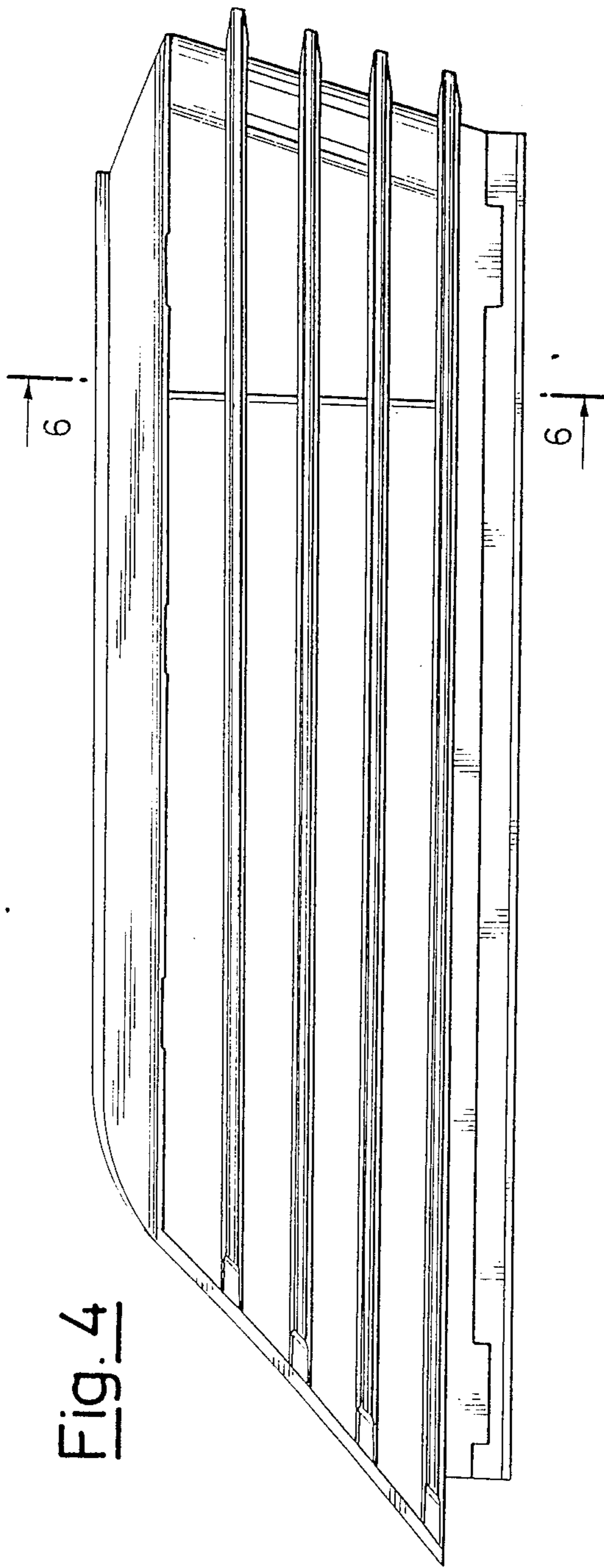


Fig. 4

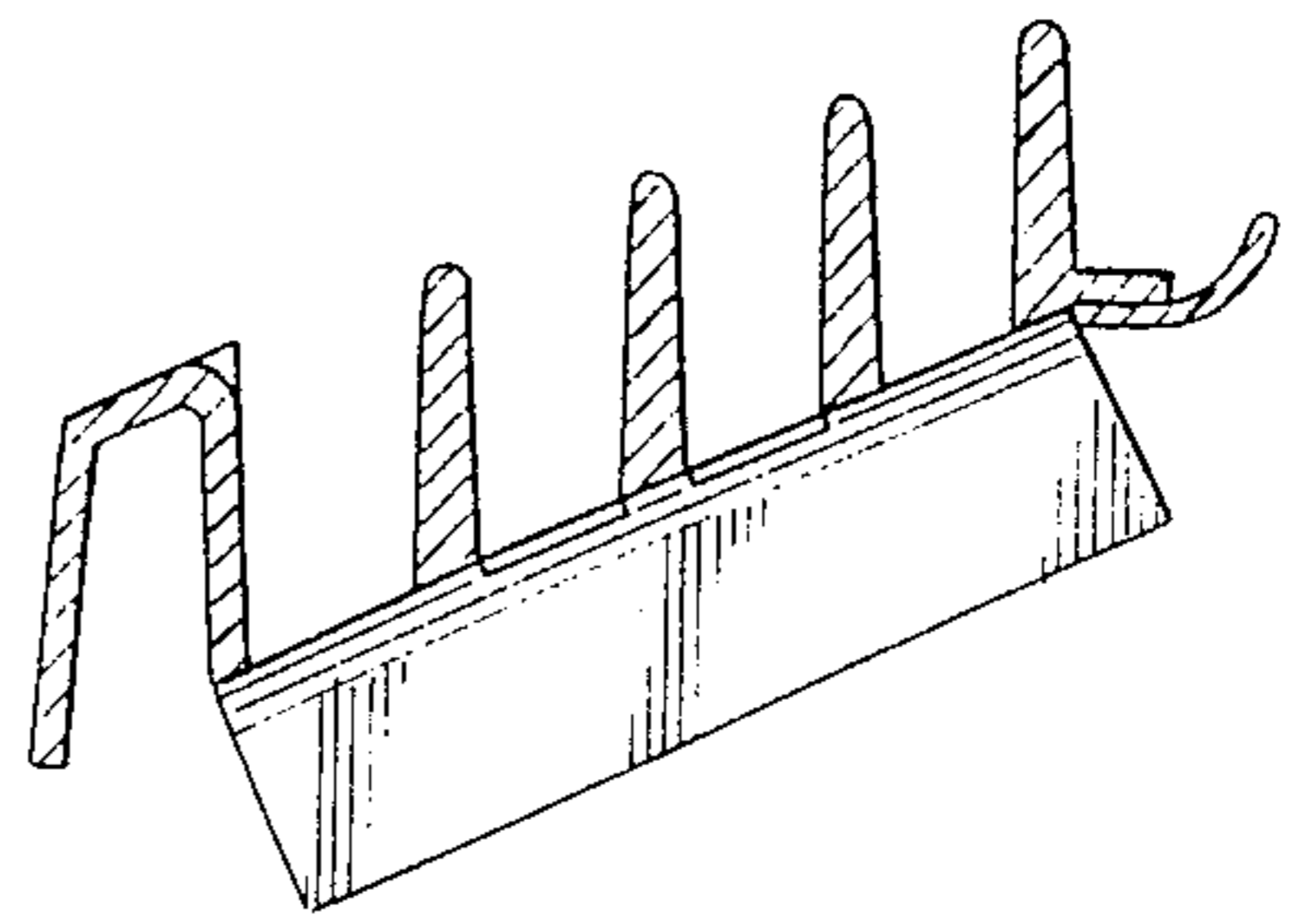


Fig. 6