

United States Patent [19]

Barnes et al.

[11] Patent Number: **Des. 312,604**

[45] Date of Patent: **** Dec. 4, 1990**

[54] **AUTOMOBILE TRUNK ORGANIZER**

[76] Inventors: **Kenneth H. Barnes**, 6768 N. LaPresa Dr., San Gabriel, Calif. 91775;
Alexander M. Zrolka, Sr., 16444 Mayfield Rd., Huntsburg, Ohio 44046

[**] Term: **14 Years**

[21] Appl. No.: **17,798**

[22] Filed: **Feb. 24, 1987**

[52] U.S. Cl. **D12/155; D3/40**

[58] Field of Search **D3/40, 74, 99; D7/37, D7/38; D12/155-157; 224/42.11, 42.42, 273, 275, 309, 311, 327, 329**

[56] **References Cited**

U.S. PATENT DOCUMENTS

D. 217,907 6/1970 Derenski D12/155 X

D. 249,671 9/1978 VanderWaal D12/155
D. 249,672 9/1978 VanderWaal D12/155
D. 278,894 5/1985 James D12/157

Primary Examiner—Louis S. Zarfes

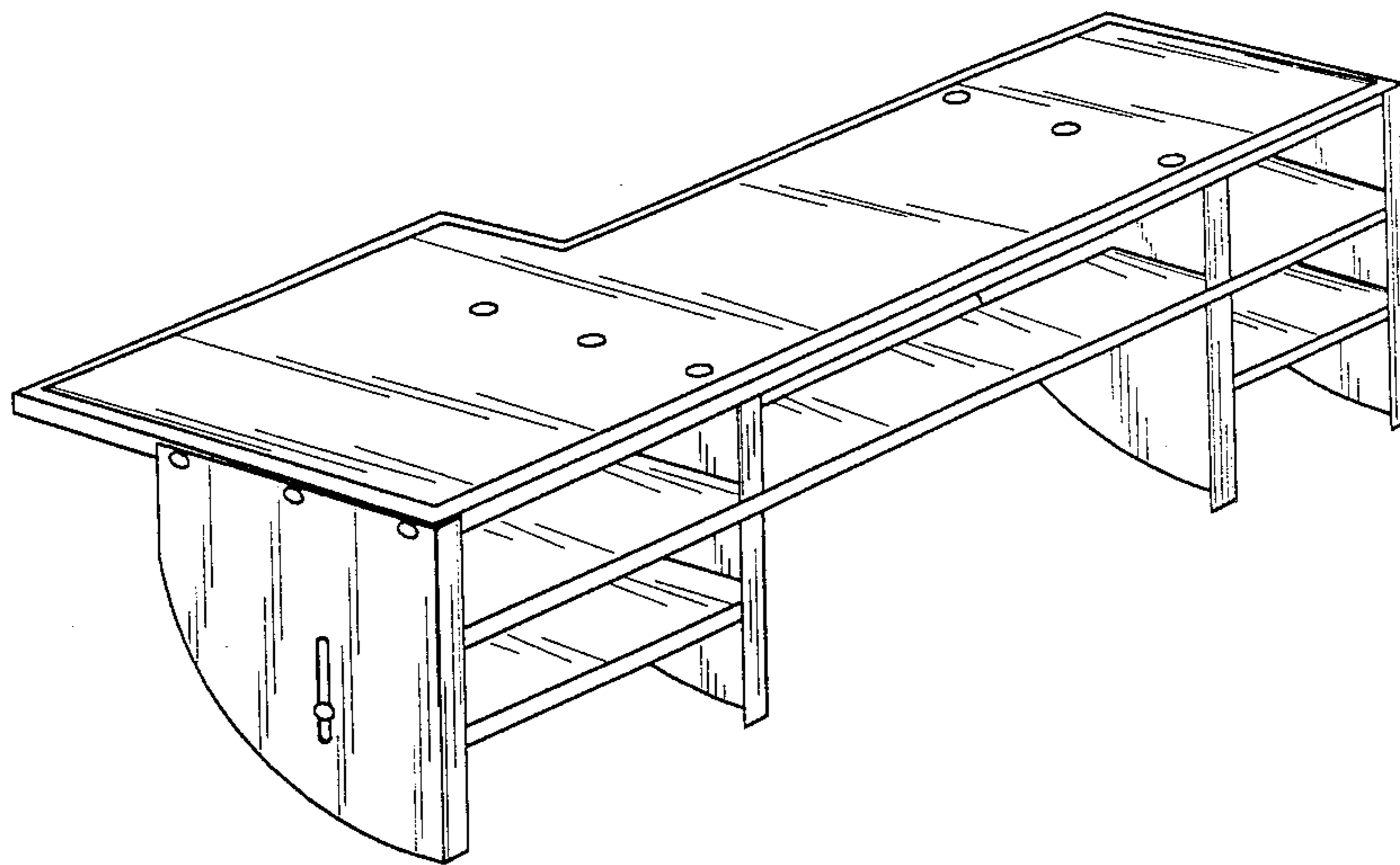
Attorney, Agent, or Firm—Pearne, Gordon, McCoy & Granger

[57] **CLAIM**

The ornamental design for an automobile trunk organizer, as shown and described.

DESCRIPTION

FIG. 1 is a perspective view of an automobile trunk organizer, showing our new design;
FIG. 2 is a front elevational view thereof;
FIG. 3 is a rear elevational view thereof;
FIG. 4 is a top plan view thereof;
FIG. 5 is a bottom plan view thereof;
FIG. 6 is a left side elevational view thereof; and
FIG. 7 is a right side elevational view thereof.



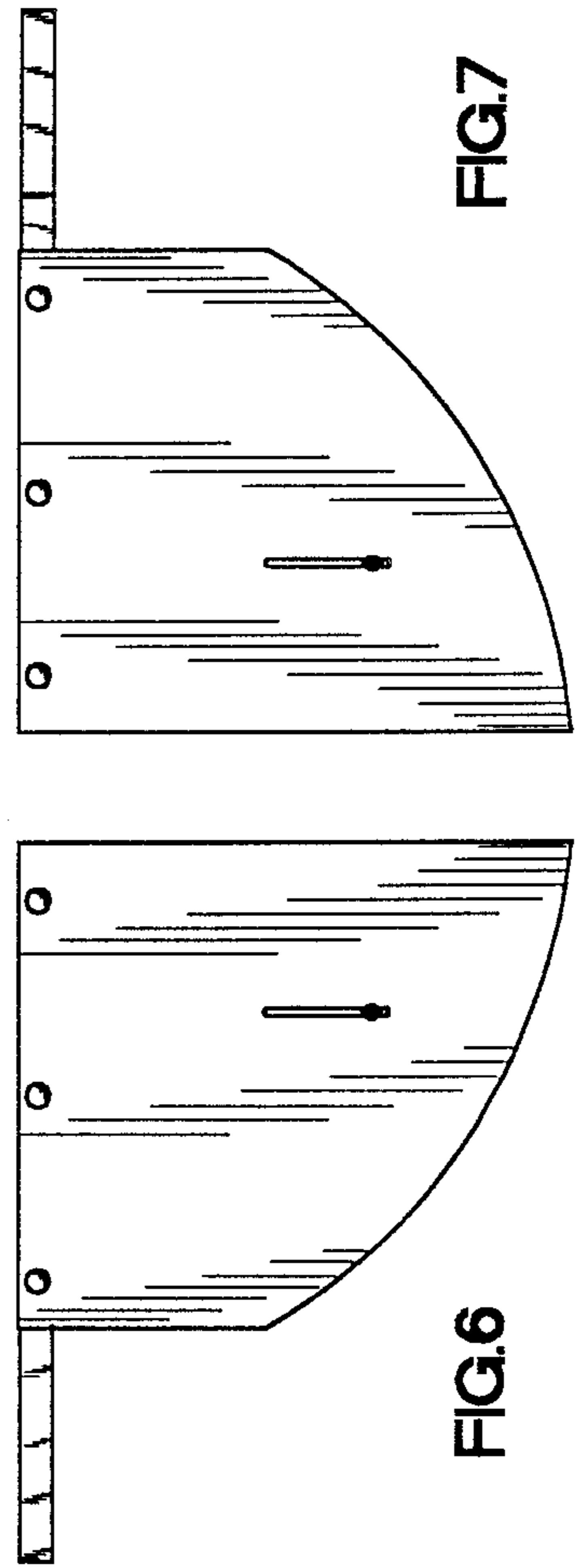
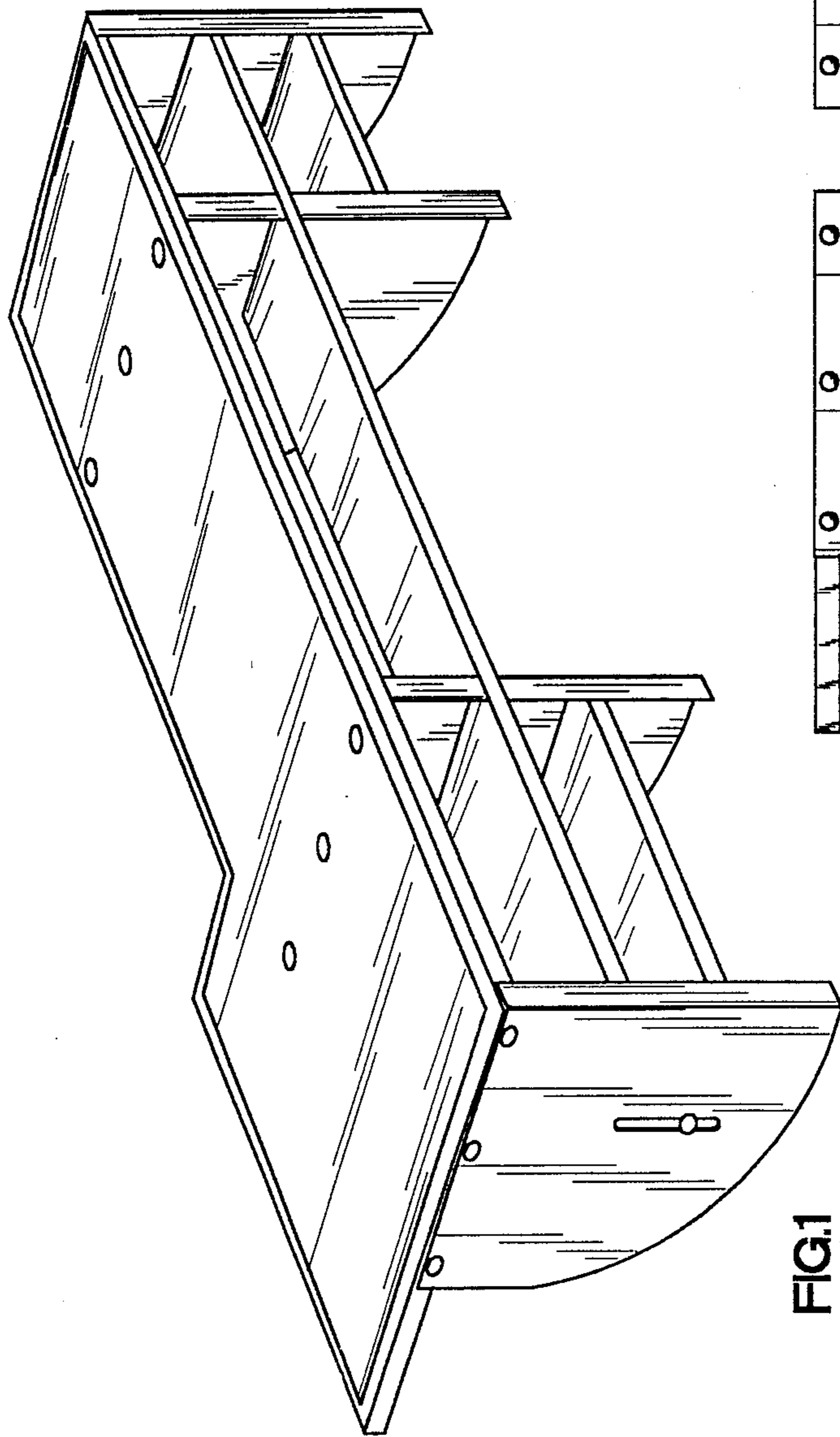


FIG.2

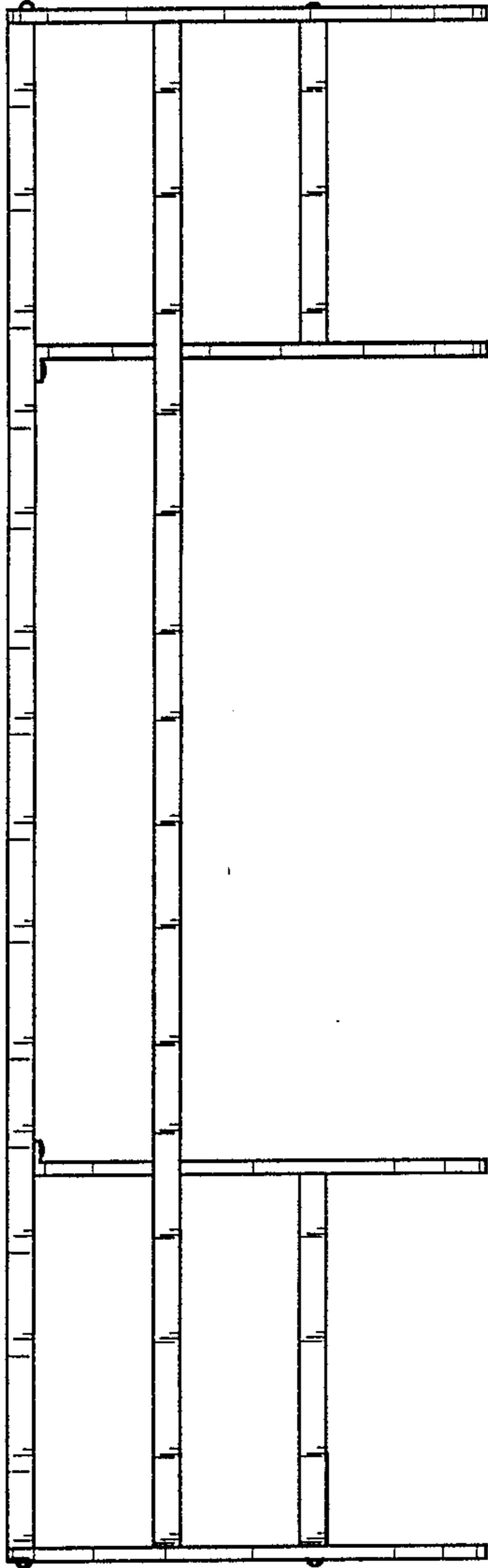


FIG.3

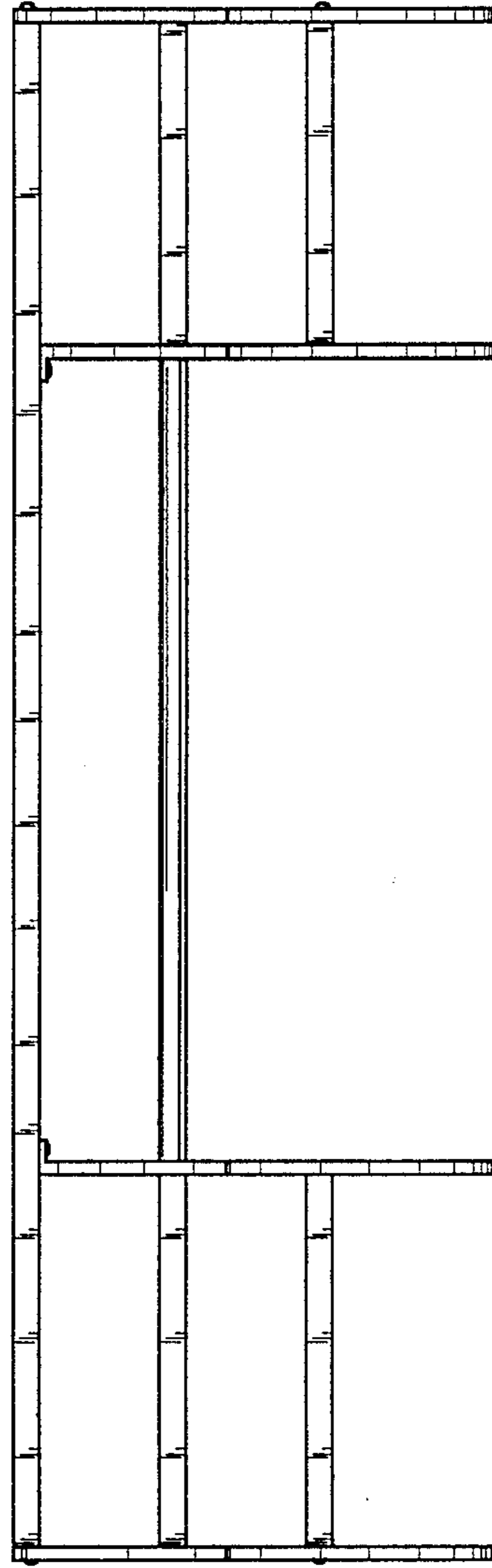


FIG.4

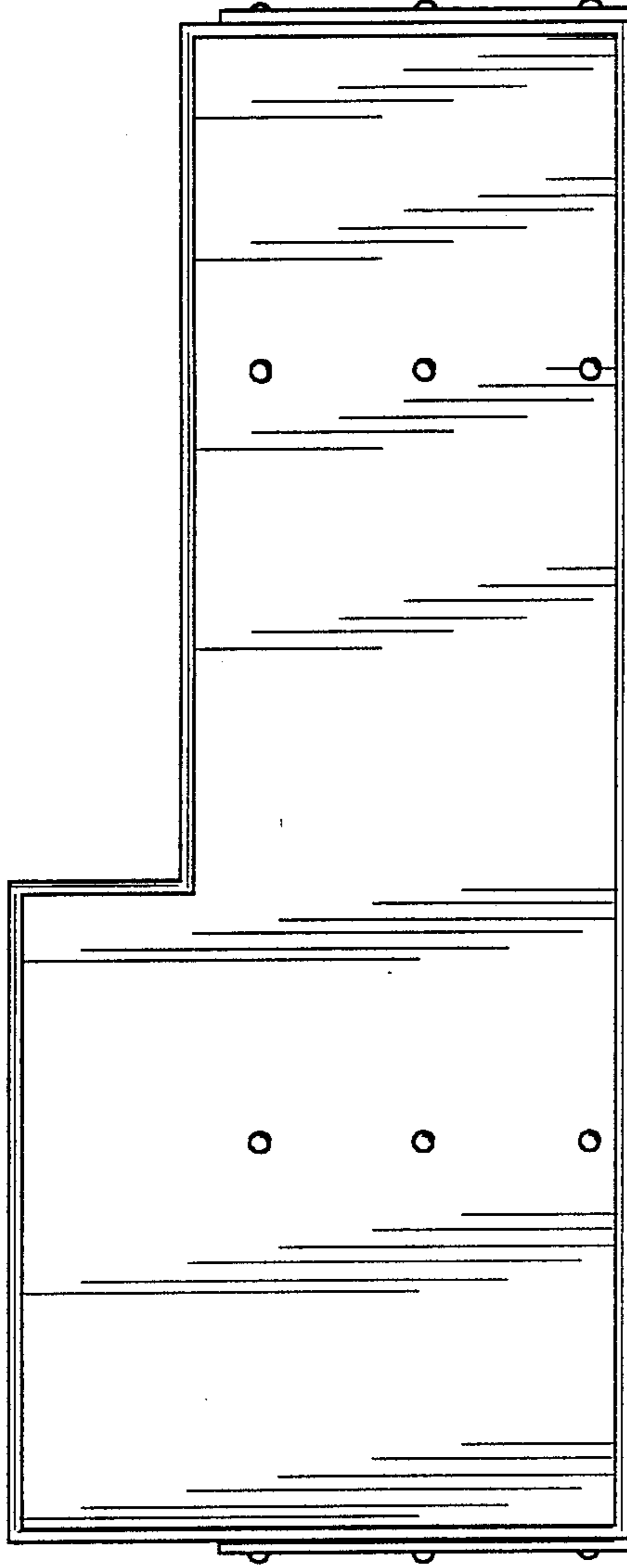


FIG.5

