

United States Patent [19]

Joseph

[11] Patent Number: **Des. 312,600**

[45] Date of Patent: **** Dec. 4, 1990**

[54] **BABY STROLLER**

[75] Inventor: **Alice Joseph, Schiltigheim, France**

[73] Assignee: **Ateliers Reunis Caddie, Schiltigheim, France**

[**] Term: **14 Years**

[21] Appl. No.: **252,438**

[22] Filed: **Sep. 30, 1988**

[30] **Foreign Application Priority Data**

Mar. 30, 1988 [FR] France 88 2120

[52] U.S. Cl. **D12/129**

[58] Field of Search D12/128, 129; 280/642, 280/643, 644, 30, 42, 648, 650, 647; 297/45, 39

[56] **References Cited**

U.S. PATENT DOCUMENTS

D. 160,598 10/1950 Heideman D12/129

4,065,177 12/1977 Hyde et al. 280/642
4,741,551 5/1988 Perego D12/129
4,832,361 5/1989 Nakao et al. D12/129

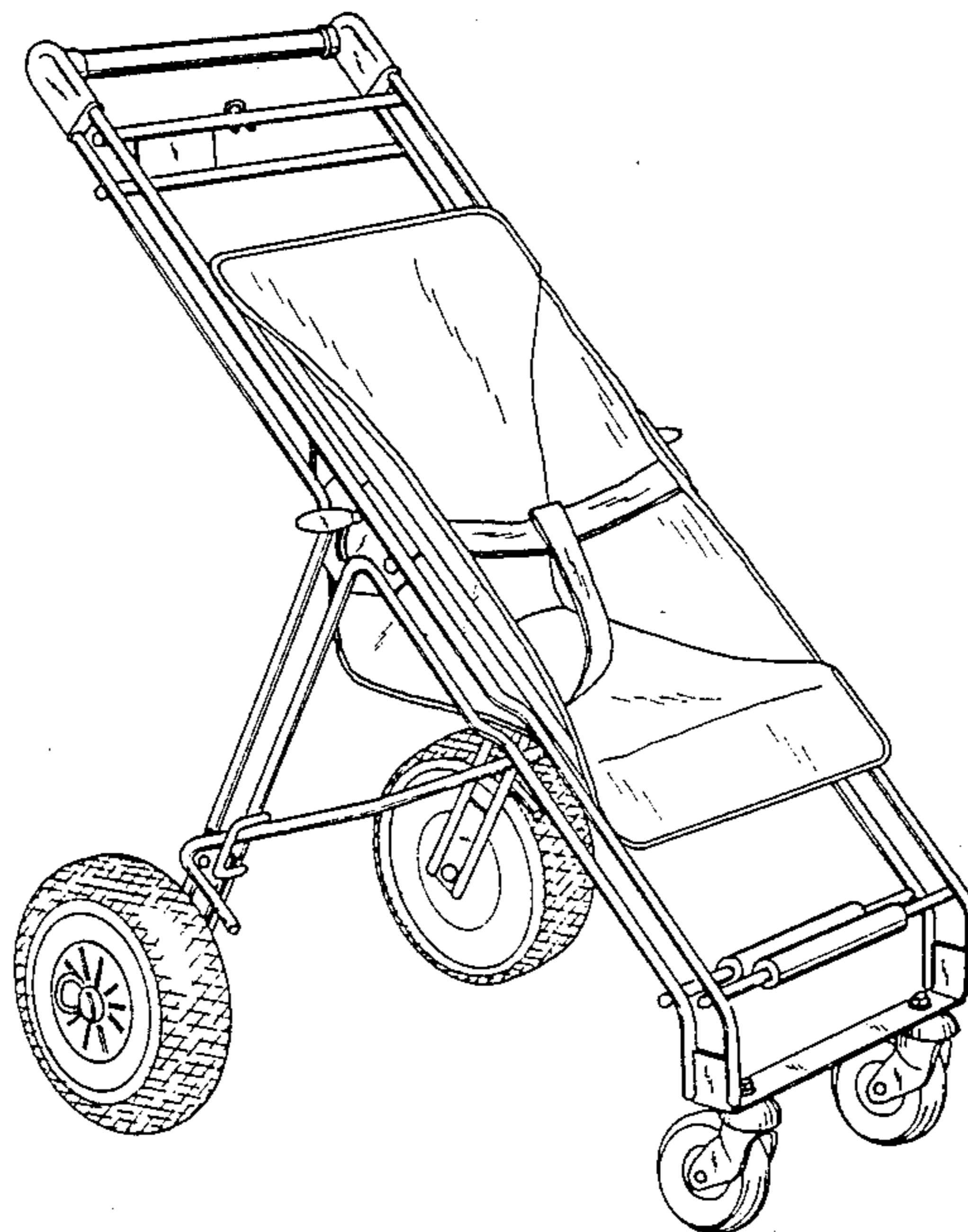
Primary Examiner—Kay H. Chin
Attorney, Agent, or Firm—Michael J. Striker

[57] **CLAIM**

The ornamental design for a baby stroller, as shown and described.

DESCRIPTION

FIG. 1 is a front and right side perspective view of a baby stroller showing my new design;
FIG. 2 is a left side perspective view thereof;
FIG. 3 is an enlarged front perspective view thereof;
FIG. 4 is an enlarged rear perspective view thereof;
FIG. 5 is a side perspective view thereof with an alternative position of the seat, the opposite side view being a mirror image of that shown;
FIG. 6 is a top perspective view thereof; and
FIG. 7 is a bottom perspective view thereof.



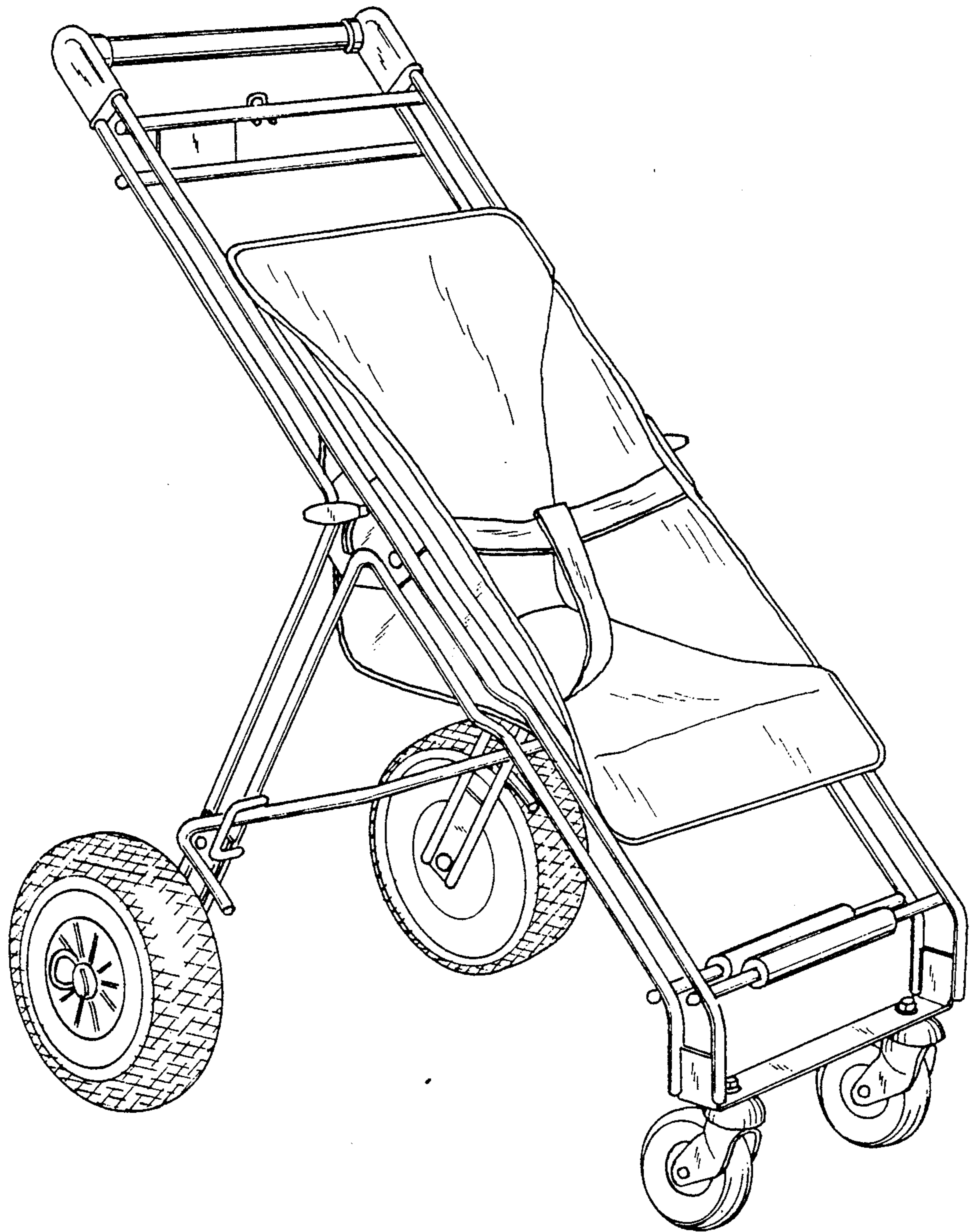


FIG. 1

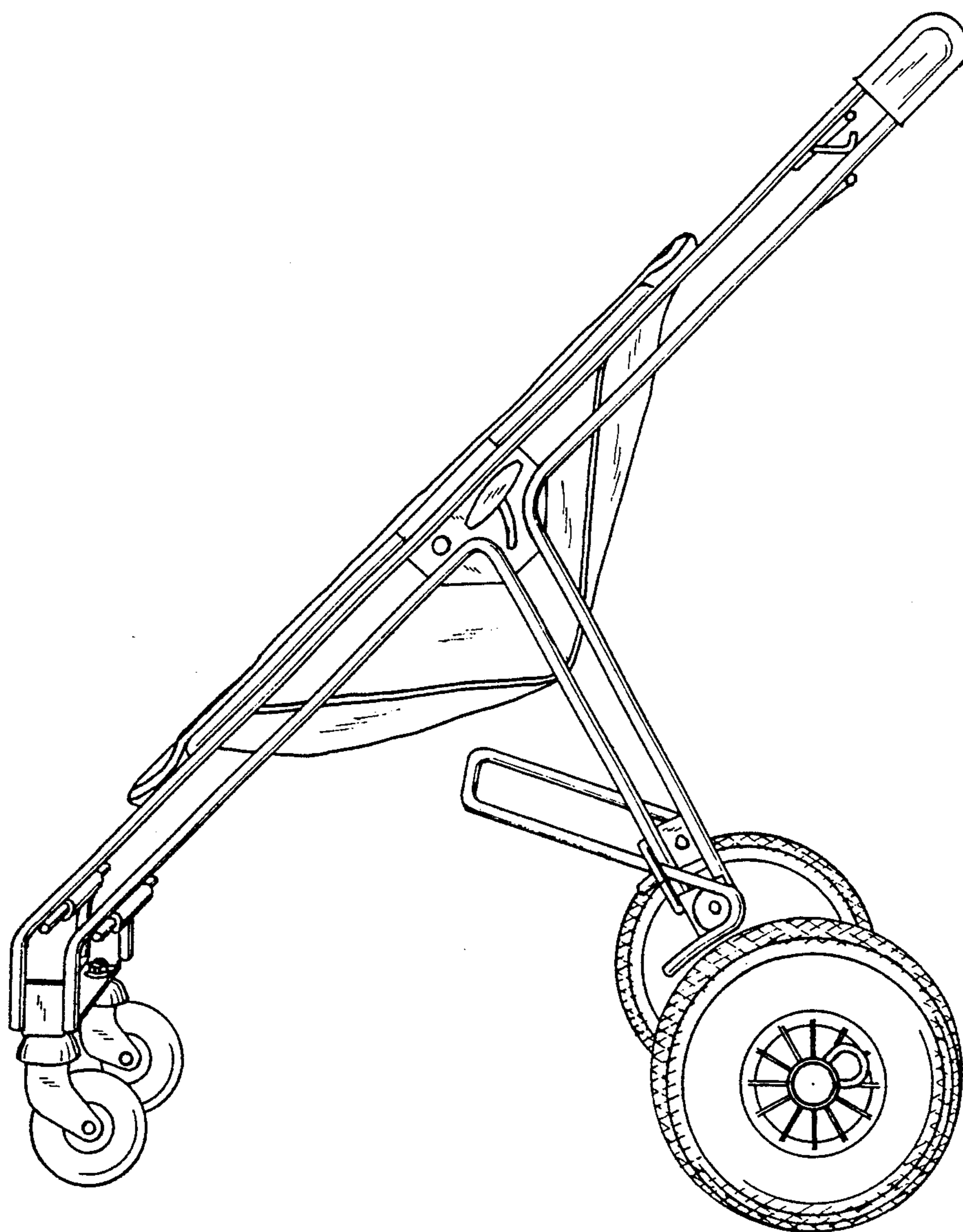


FIG.2

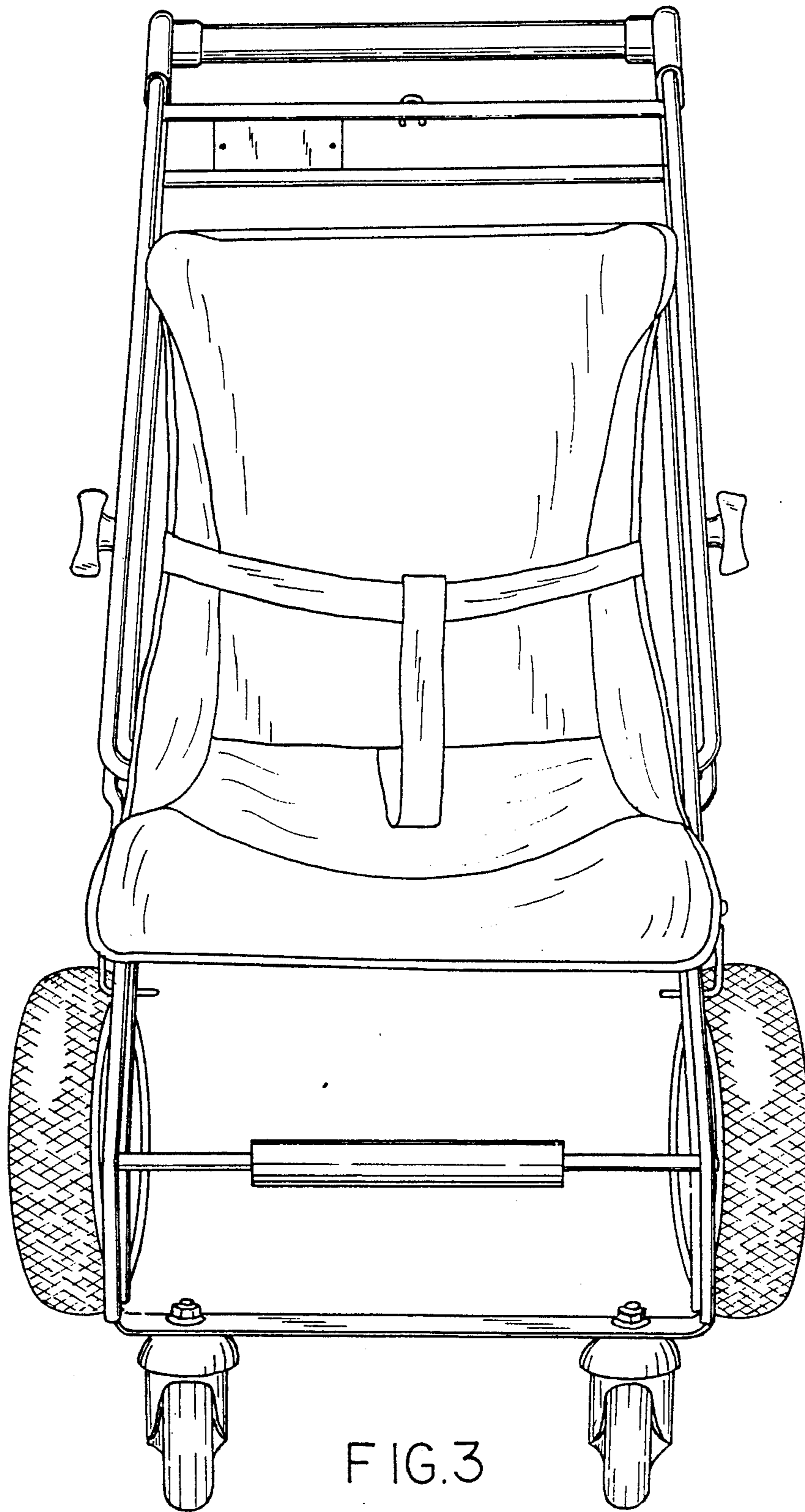


FIG. 3

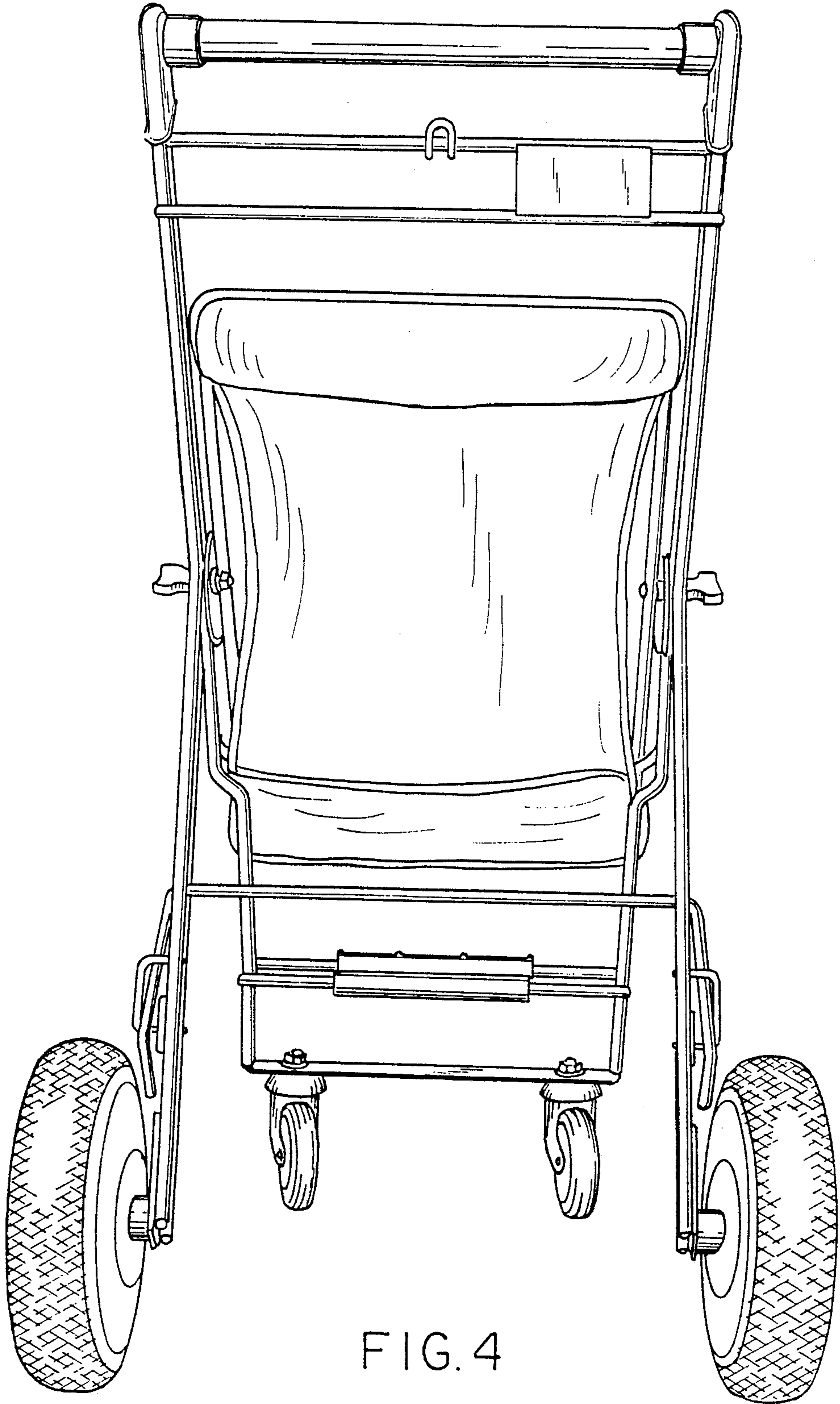


FIG. 4

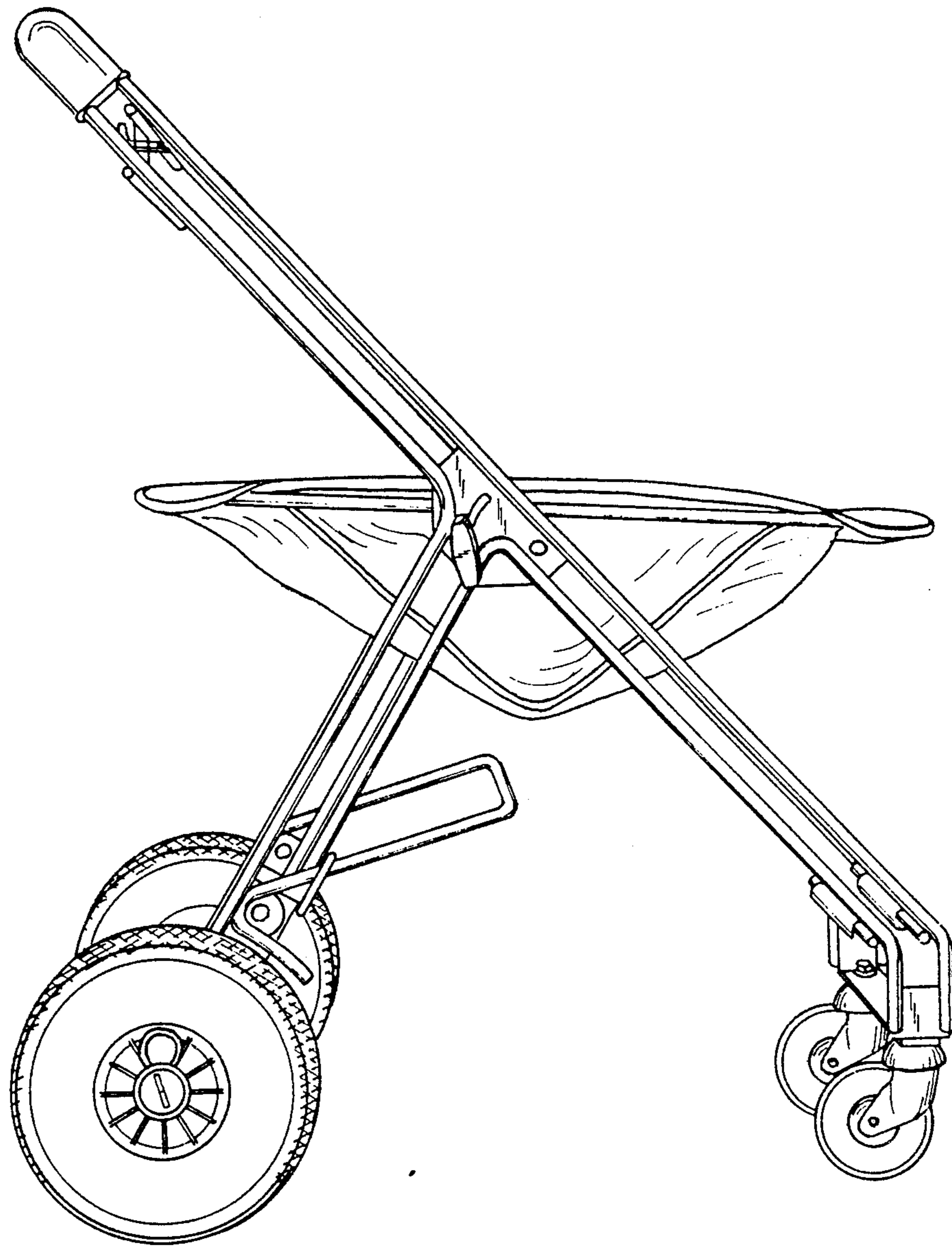


FIG. 5

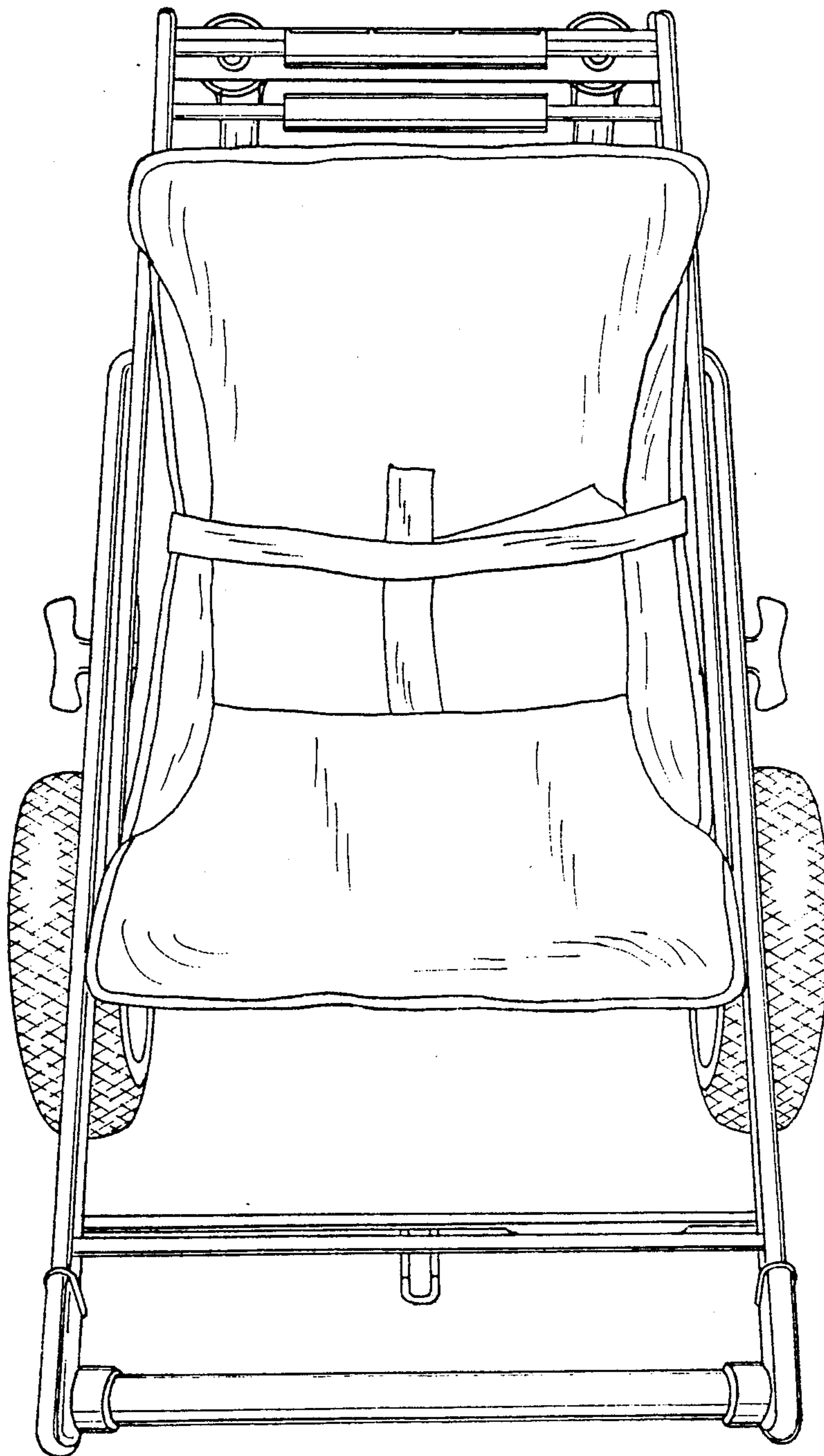


FIG.6

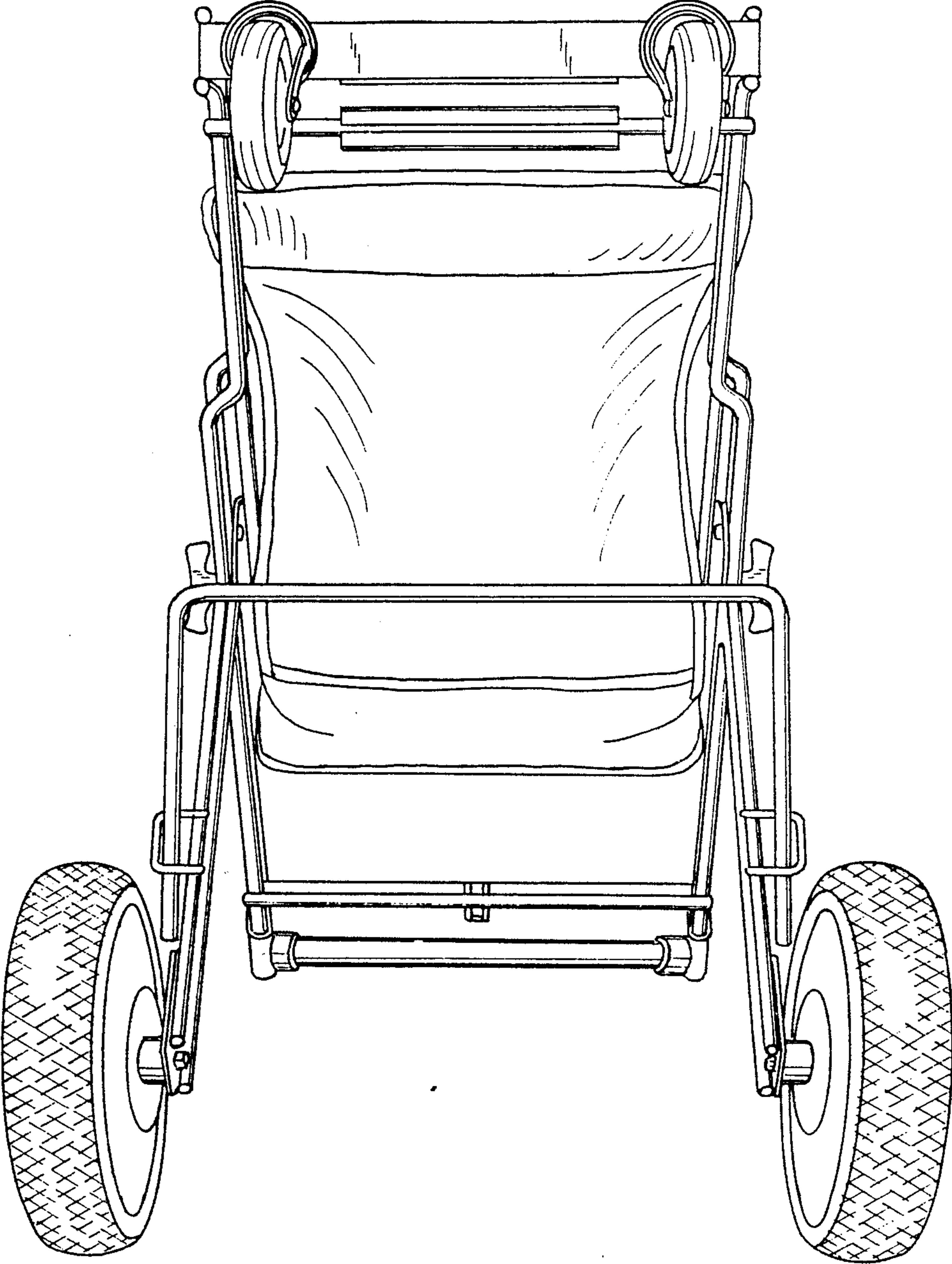


FIG. 7