

[54] HUB FOR SUPPORTING A TIMEPIECE HAND

[75] Inventors: Keiichi Yoshizawa; Katsuya Moritaka, both of Tokyo, Japan

[73] Assignee: Seikosha Co., Ltd., Japan

[**] Term: 14 Years

[21] Appl. No.: 2,151

[22] Filed: Jan. 12, 1987

[30] Foreign Application Priority Data

Jul. 17, 1986 [JP] Japan 61-28021

[52] U.S. Cl. D10/122; D10/127; D10/128

[58] Field of Search D10/1-39, D10/122-132; 368/80, 228, 238

[56] References Cited

U.S. PATENT DOCUMENTS

D. 154,873	8/1949	Newhouse	D10/127
D. 210,546	3/1968	Klingenberg	D10/127
781,505	1/1905	Engle	368/238 X
3,855,787	12/1974	Assmus	368/238
4,693,612	9/1987	Yoshizawa	368/238 X
4,693,613	9/1987	Ritchie	368/228 X

FOREIGN PATENT DOCUMENTS

550461	4/1922	France	368/238
14640	4/1901	Switzerland	368/238

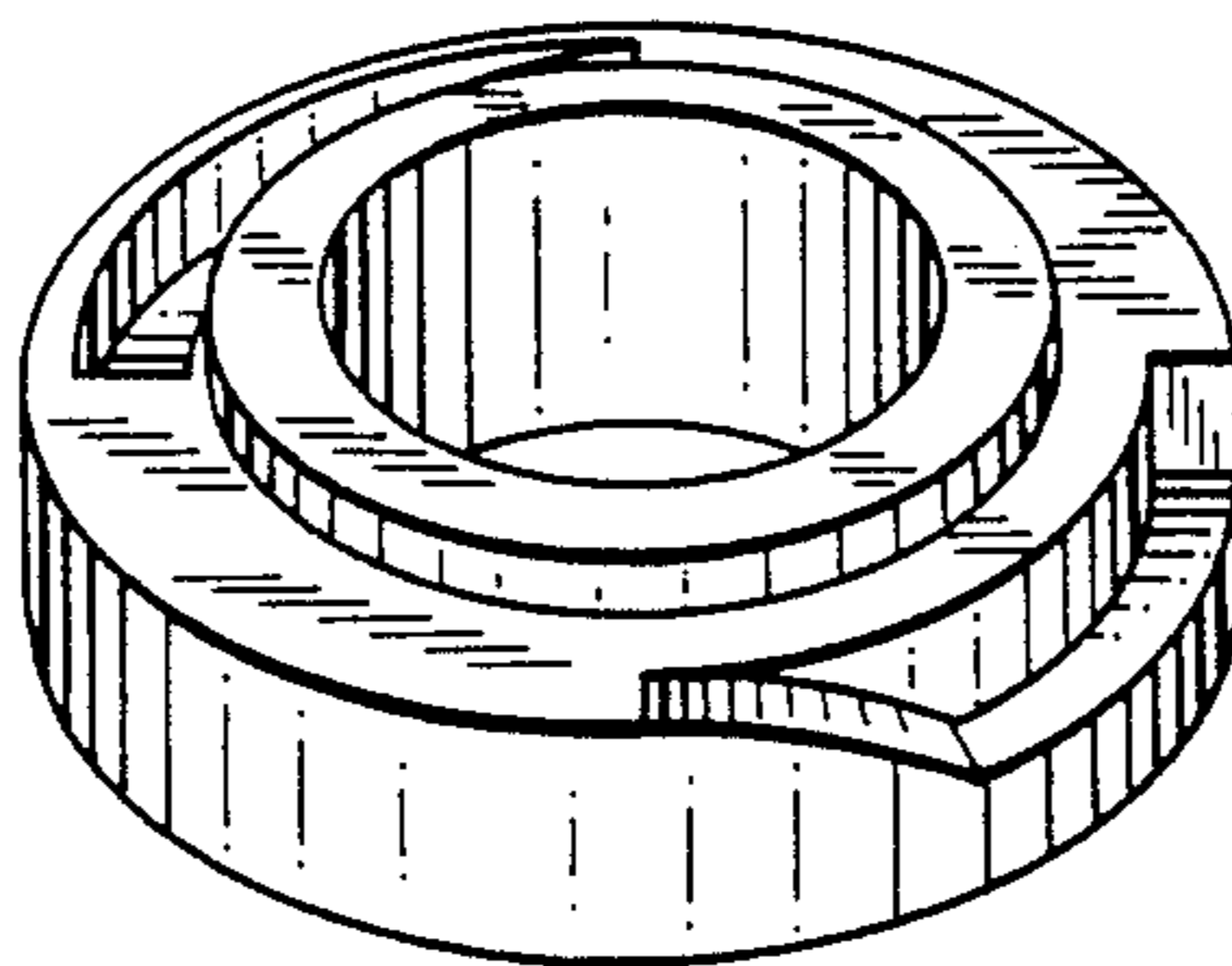
Primary Examiner—Nelson C. Holtje
Attorney, Agent, or Firm—Bruce L. Adams; Van C. Wilks

[57] CLAIM

The ornamental design for a hub for supporting a timepiece hand, as shown and described.

DESCRIPTION

FIG. 1 is a front elevational view of a hub for supporting a timepiece hand showing our new design; FIG. 2 is a left side elevational view thereof; FIG. 3 is a right side elevational view thereof; FIG. 4 is a rear elevational view thereof; FIG. 5 is a top plan view thereof; and FIG. 6 is a bottom plan view thereof. FIG. 7 is a front and top-left perspective view thereof; and FIG. 8 is a rear and bottom right perspective view thereof. The broken-line showings of a hand are environmental only and form no part of the claimed design.



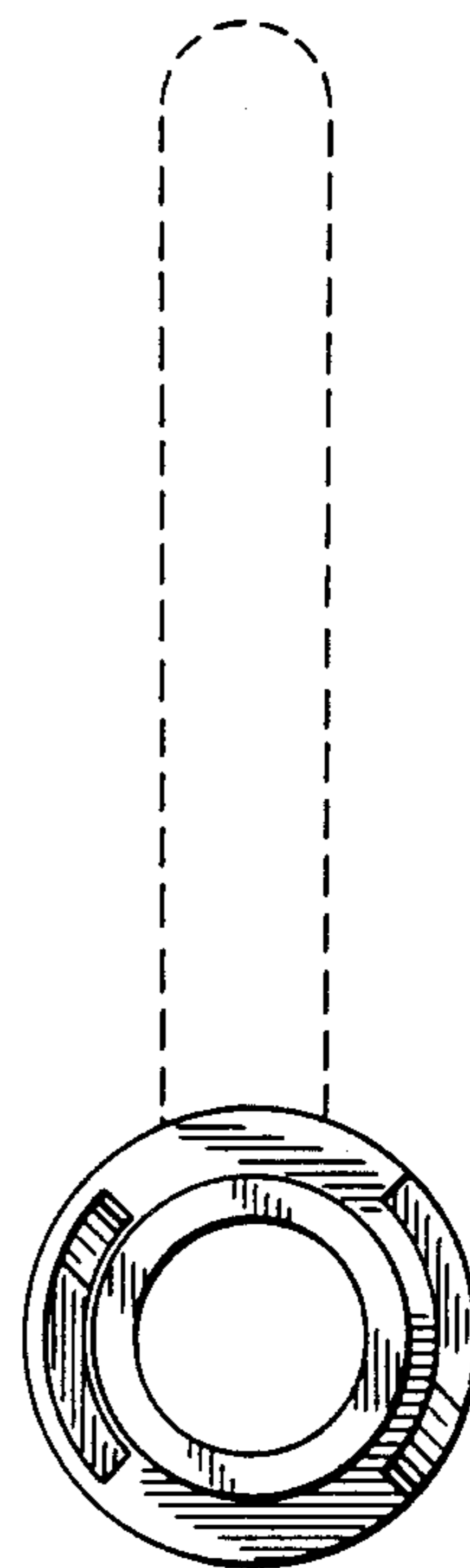
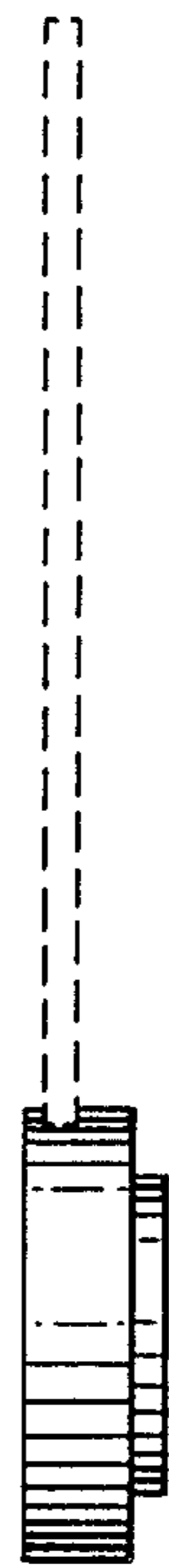
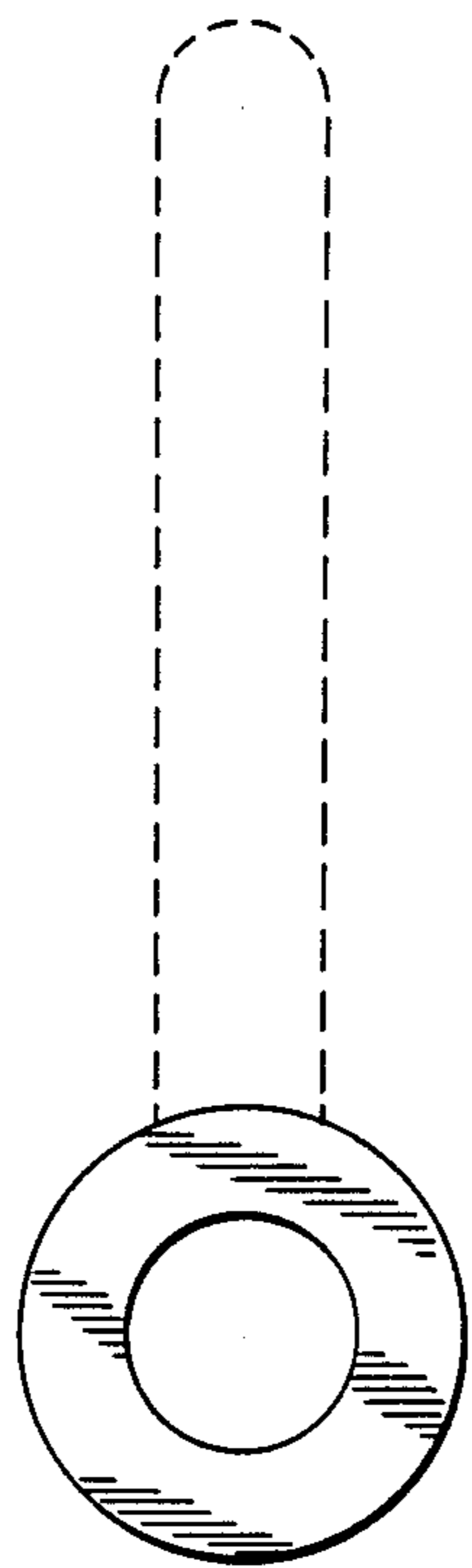


FIG. 2

FIG. 1

FIG. 3

FIG. 4



FIG. 5

FIG. 6

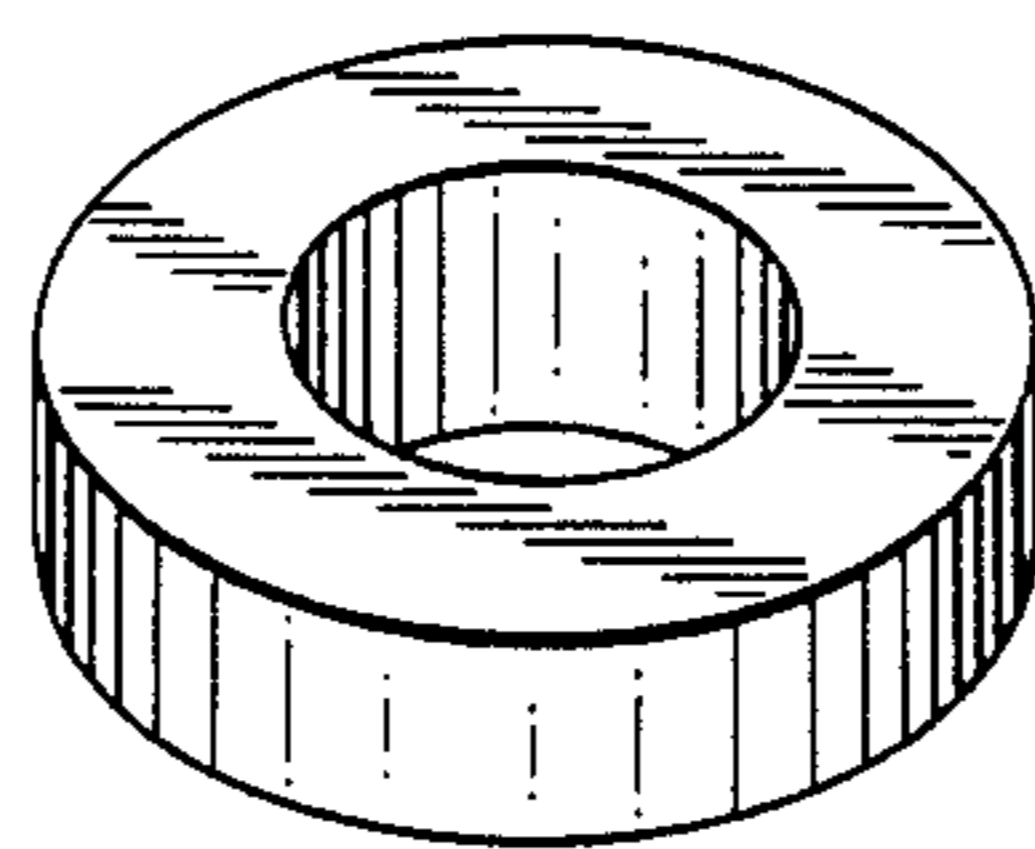


FIG. 7

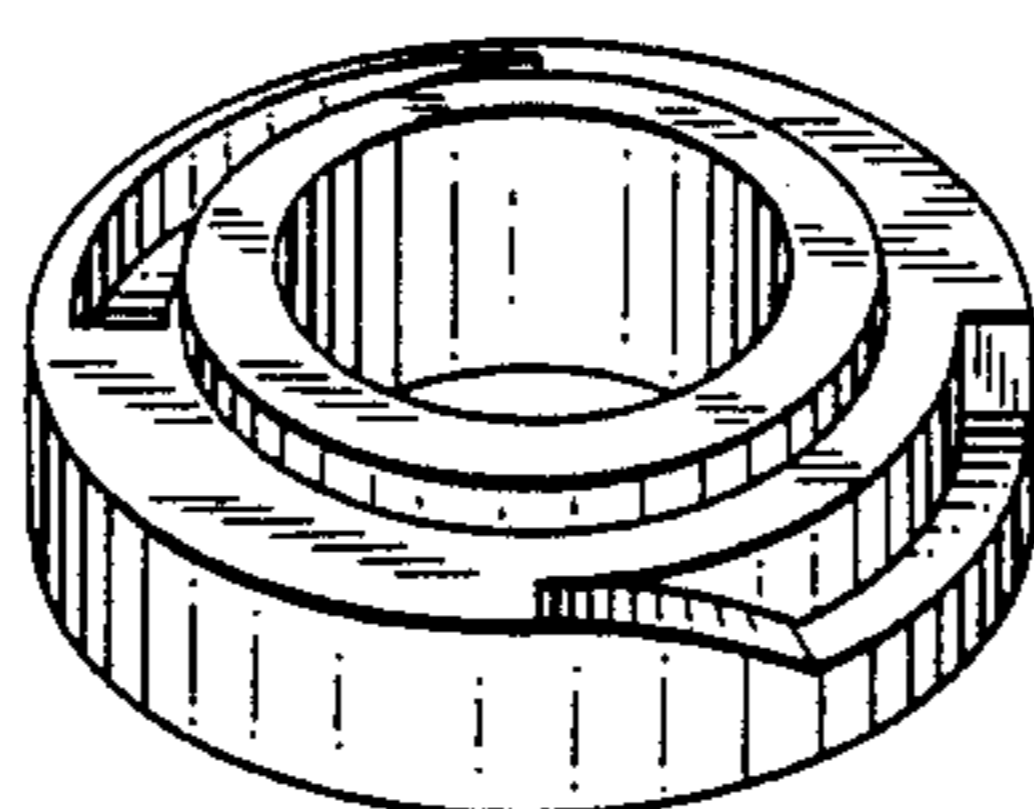


FIG. 8