

[54] SIREN FOR ANTITHEFT WARNING APPARATUS FOR VEHICLES

[75] Inventor: Serafino Memmola, Varese, Italy

[73] Assignee: Delta Elettronica S.p.A., Varese, Italy

[**] Term: 14 Years

[21] Appl. No.: 247,097

[22] Filed: Sep. 20, 1988

[30] Foreign Application Priority Data

Mar. 22, 1988 [IT] Italy 60904/88[U]
[52] U.S. Cl. D10/120
[58] Field of Search D10/104, 106, 120;
340/52 R, 63, 64, 65, 384 R, 384 E, 388, 392,
393, 404, 405, 406, 407, 541, 561, 565, 566;
116/137, 140, 142, 147

[56] References Cited
U.S. PATENT DOCUMENTS

D. 262,952	2/1982	Hanig	D10/106
D. 271,670	12/1983	Takai et al.	D10/104
D. 275,187	8/1984	Skarman	D10/106
D. 279,769	7/1985	Thornton, Jr. et al.	D10/106
D. 297,219	8/1988	Taylor	D10/106
4,112,407	9/1978	Kameyama et al.	340/593

Primary Examiner—Wallace R. Burke
Assistant Examiner—Marcus Jackson
Attorney, Agent, or Firm—Peter K. Kontler

[57] CLAIM

The ornamental design of a siren for antitheft warning apparatus for vehicles, as shown and described.

DESCRIPTION

FIG. 1 is a perspective view of a siren for antitheft warning apparatus for vehicles showing my new design; FIG. 2 is a top plan view thereof; FIG. 3 is a side elevational view thereof; FIG. 4 is a bottom plan view thereof; FIG. 5 is a side elevational view thereof as seen from the opposite side of FIG. 3.

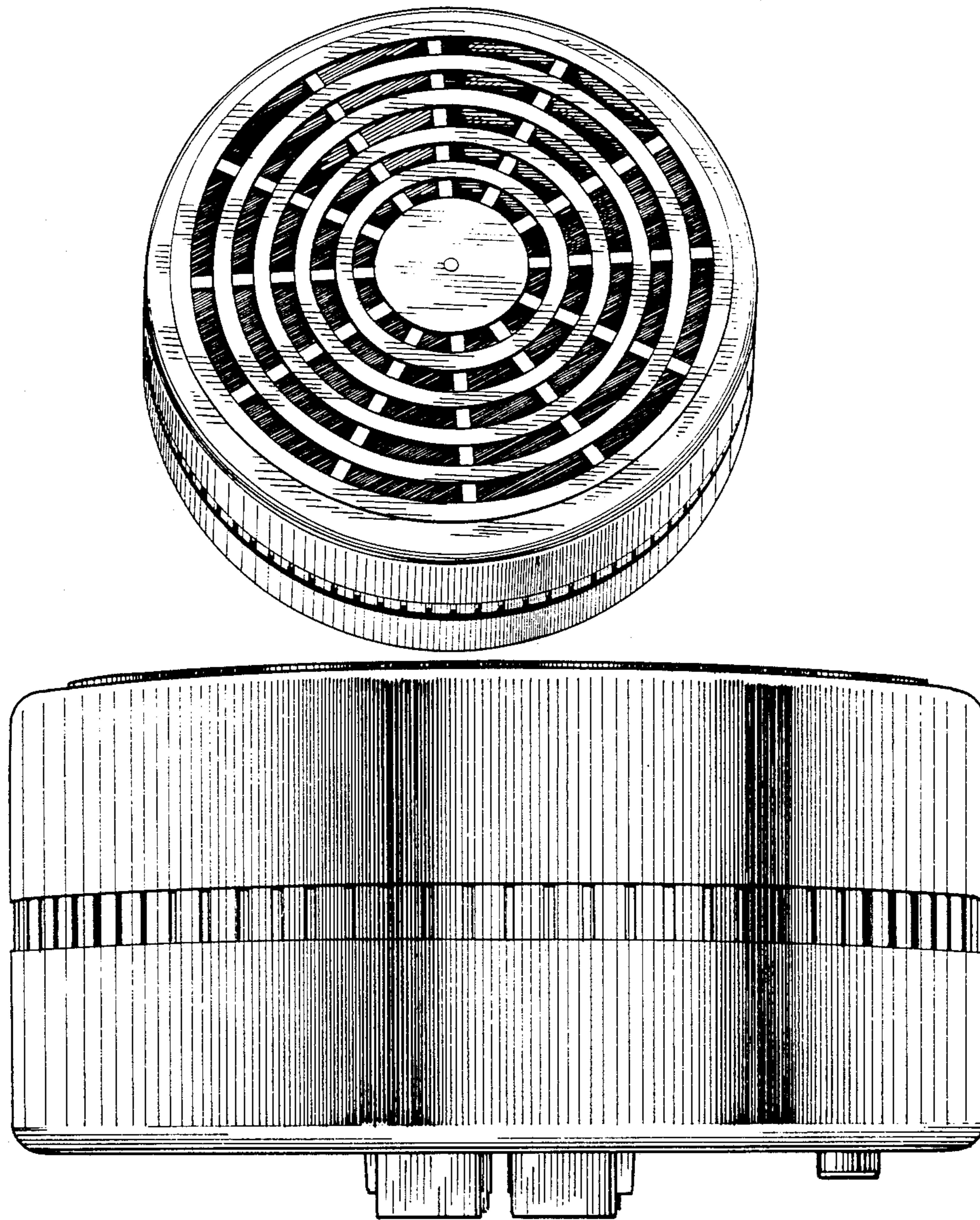


Fig. 1

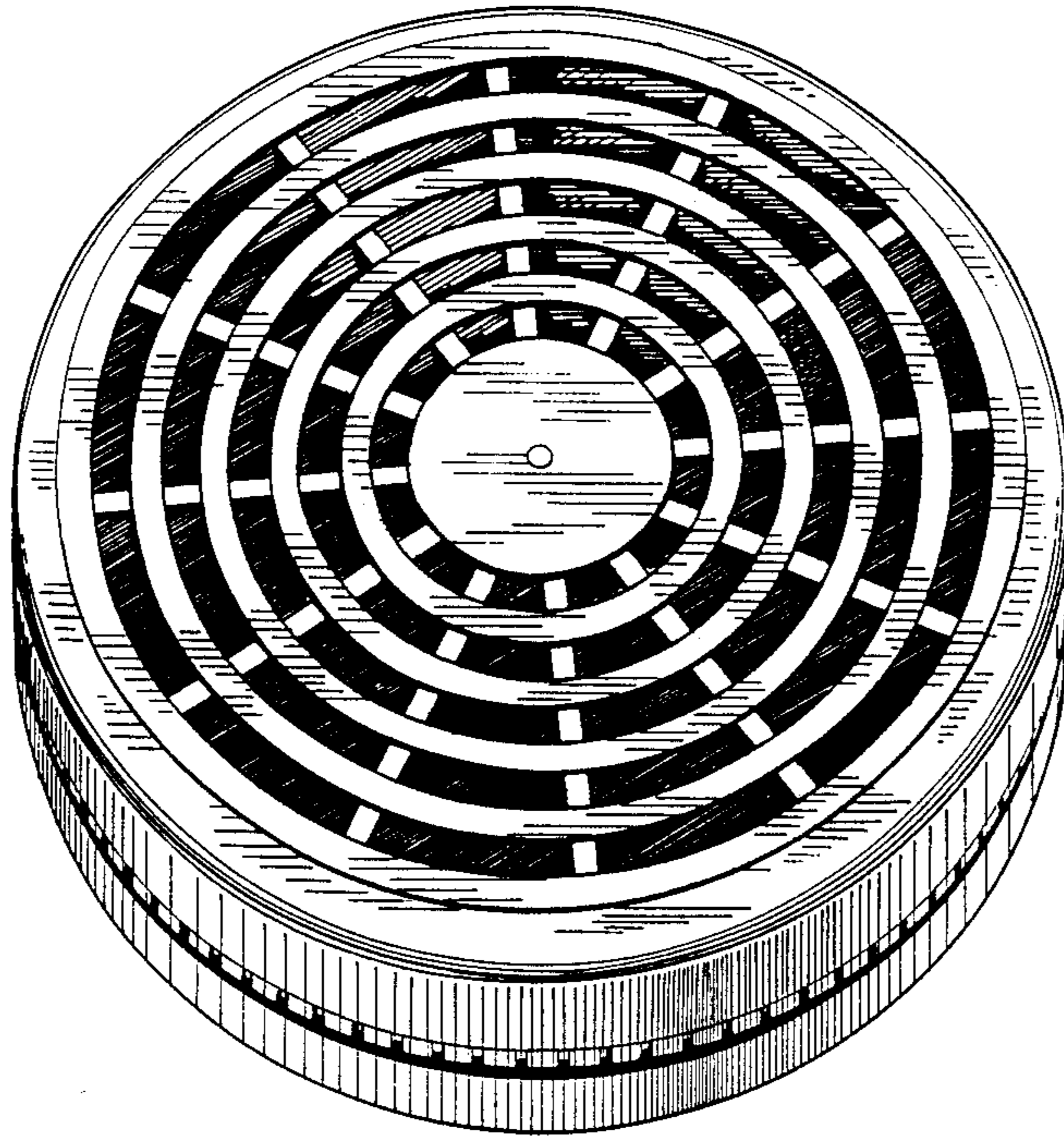


Fig. 2

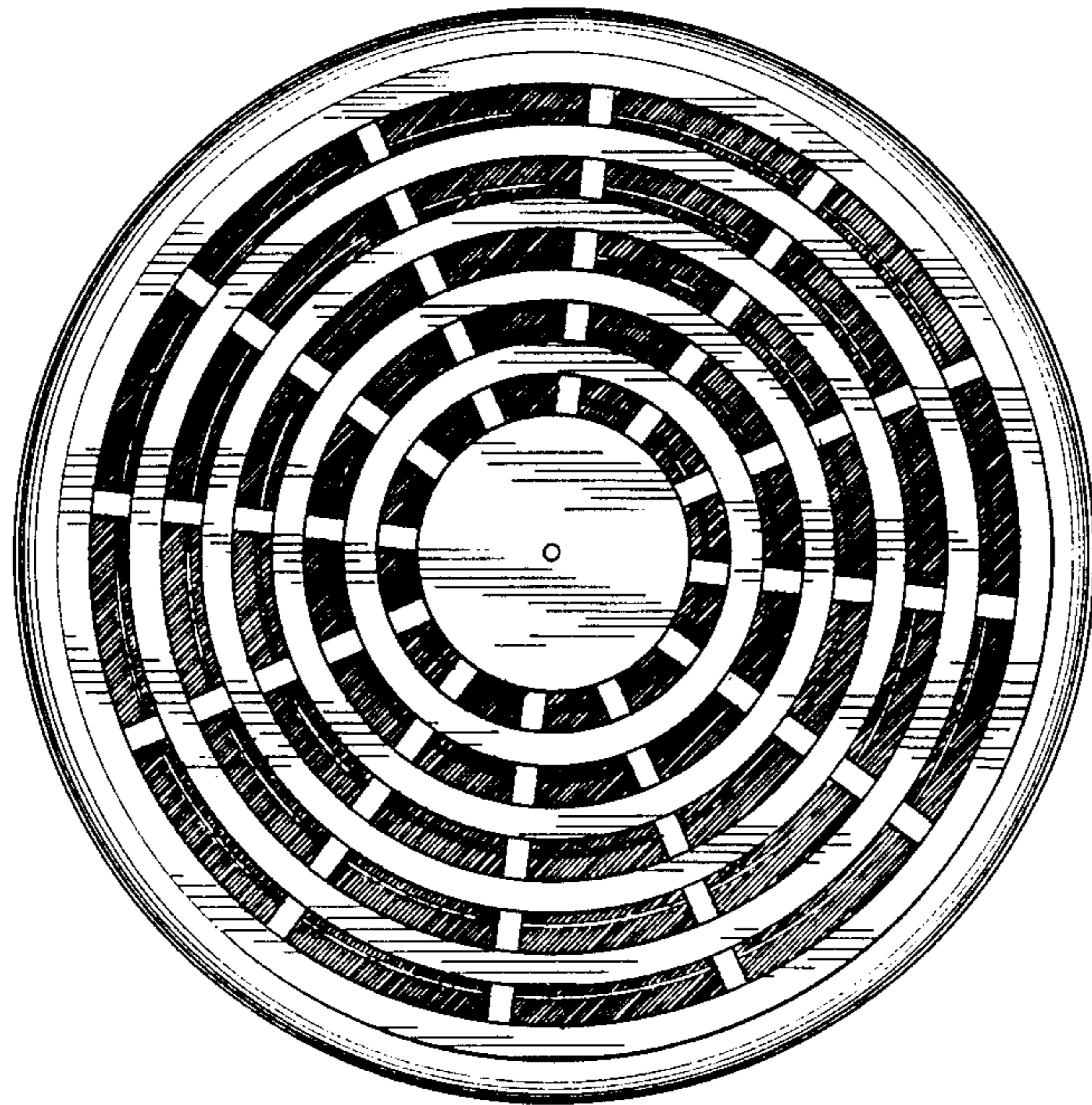


Fig. 3

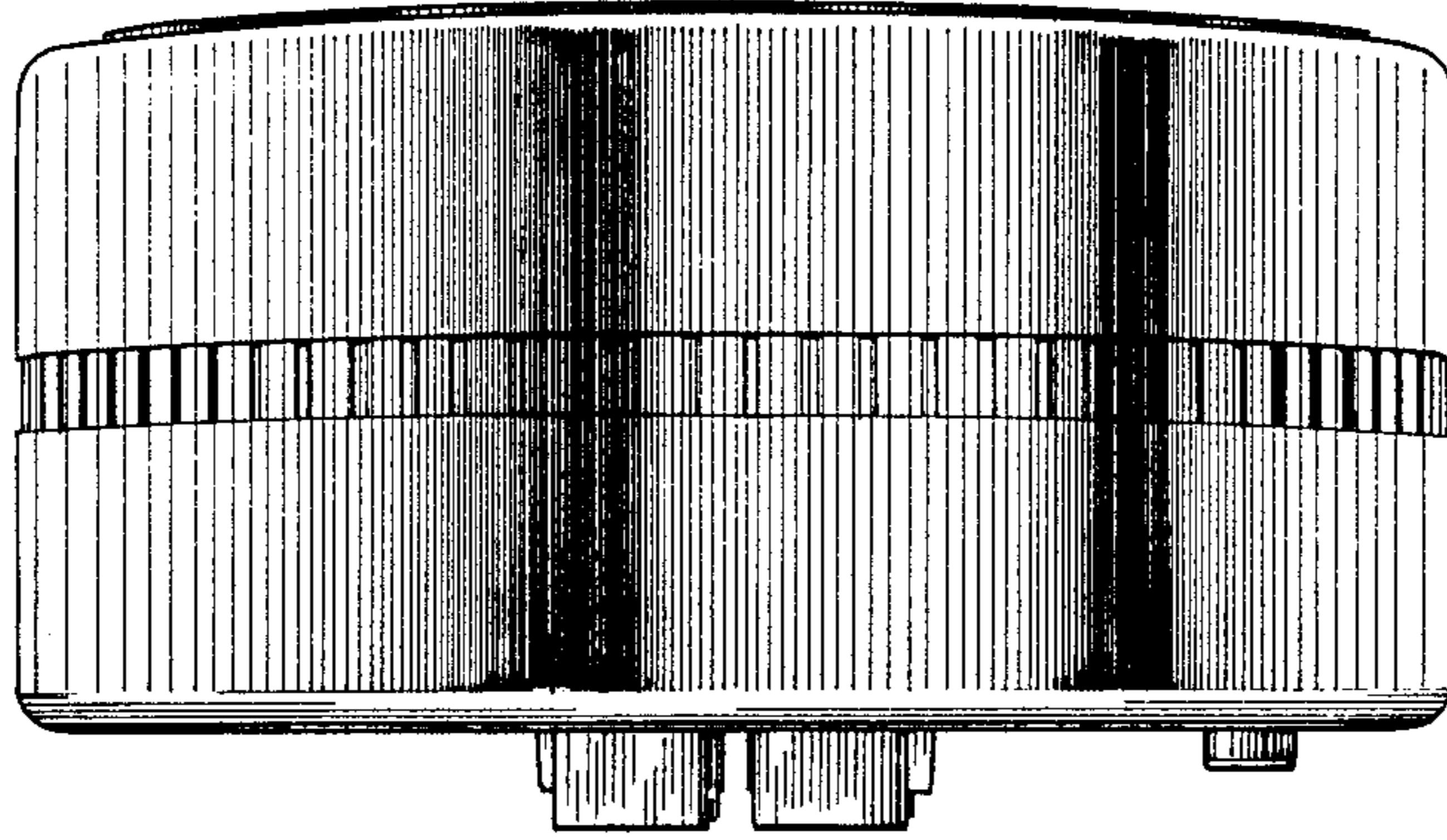


Fig. 4

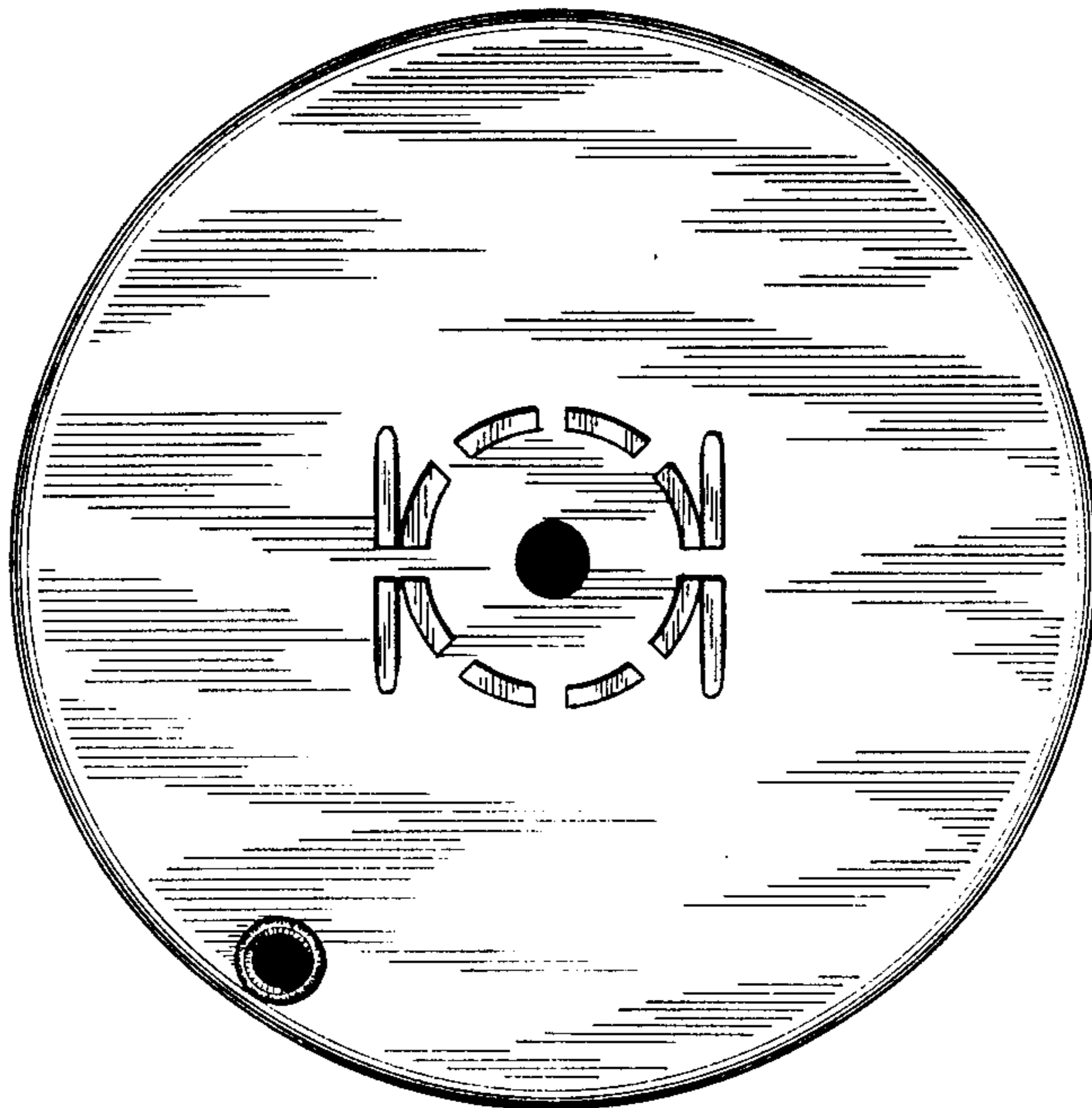


Fig. 5

