

[54] KITCHEN SCALE

[75] Inventor: Brian Stephens, Dun Laoghaire, Ireland

[73] Assignee: Tricolor Corporation, Las Cruces, N. Mex.

[\*\*] Term: 14 Years

[21] Appl. No.: 78,571

[22] Filed: Jul. 27, 1987

[30] Foreign Application Priority Data  
 Jan. 30, 1987 [GB] United Kingdom ..... 1039623  
 [52] U.S. Cl. .... D10/92  
 [58] Field of Search ..... D10/87, 88, 89, 91,  
 D10/92, 94, 95; 177/225, 227, 228, 229, 230,  
 231, 238, 240, 241, 242, 243, 245

[56] References Cited  
 U.S. PATENT DOCUMENTS  
 3,592,277 7/1971 Ackeret ..... 177/245 X  
 3,894,591 7/1975 Ackeret ..... 177/126

OTHER PUBLICATIONS  
 EKS Sweden (undated) (Catalog).  
*Primary Examiner*—Nelson C. Holtje  
*Assistant Examiner*—Antoine D. Davis  
*Attorney, Agent, or Firm*—Wood, Phillips, Mason,  
 Recktenwald & VanSanten

[57] CLAIM  
 The ornamental design for a kitchen scale, as shown.

DESCRIPTION  
 FIG. 1 is a top and left side elevational view of a kitchen scale showing my new design;  
 FIG. 2 is a top plan view;  
 FIG. 3 is a rear elevational view;  
 FIG. 4 is a left side elevational view, the right side elevational view being a mirror image;  
 FIG. 5 is a front elevational view; and  
 FIG. 6 is a bottom plan view thereof.

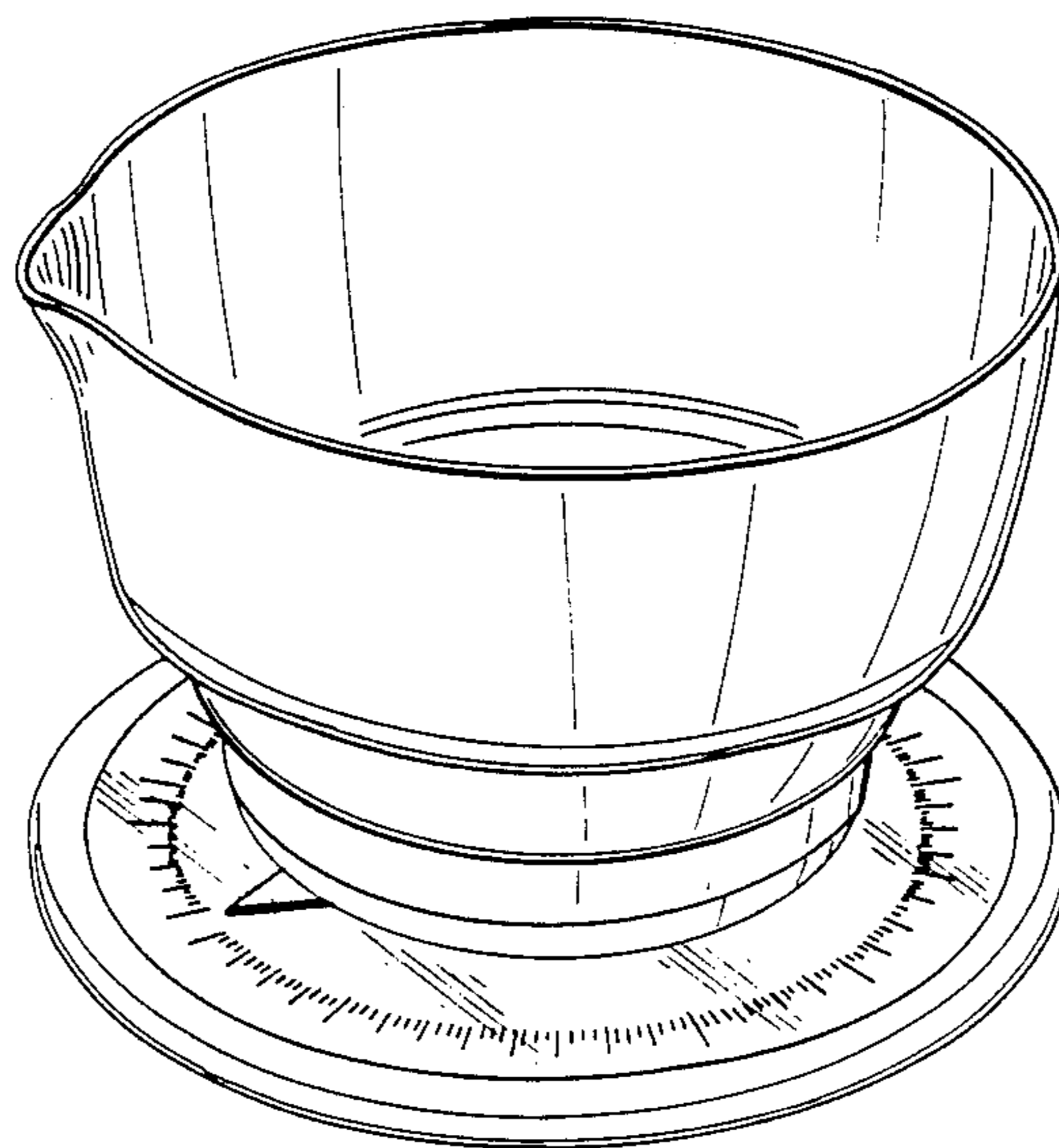


FIG. 1

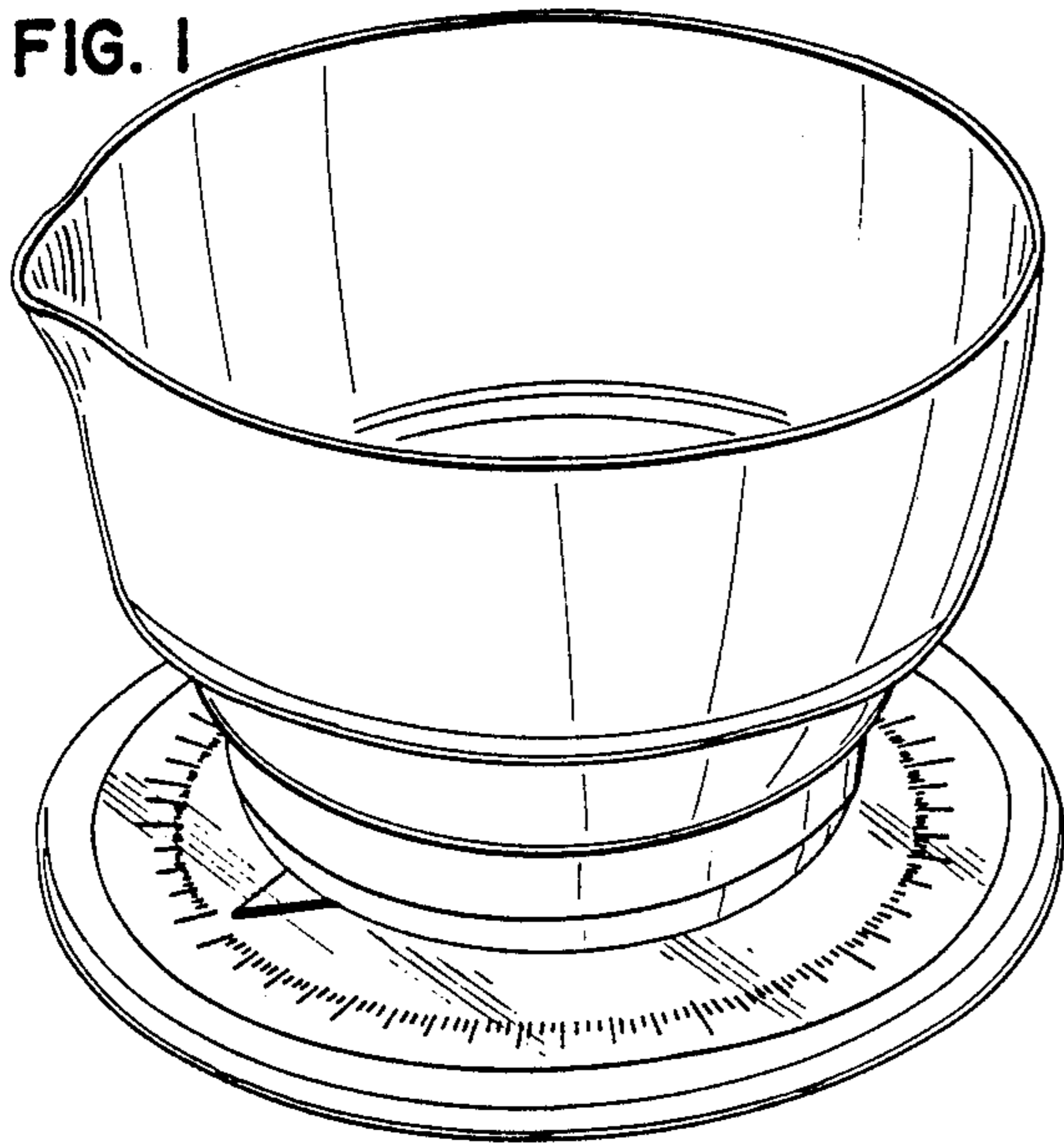


FIG. 4

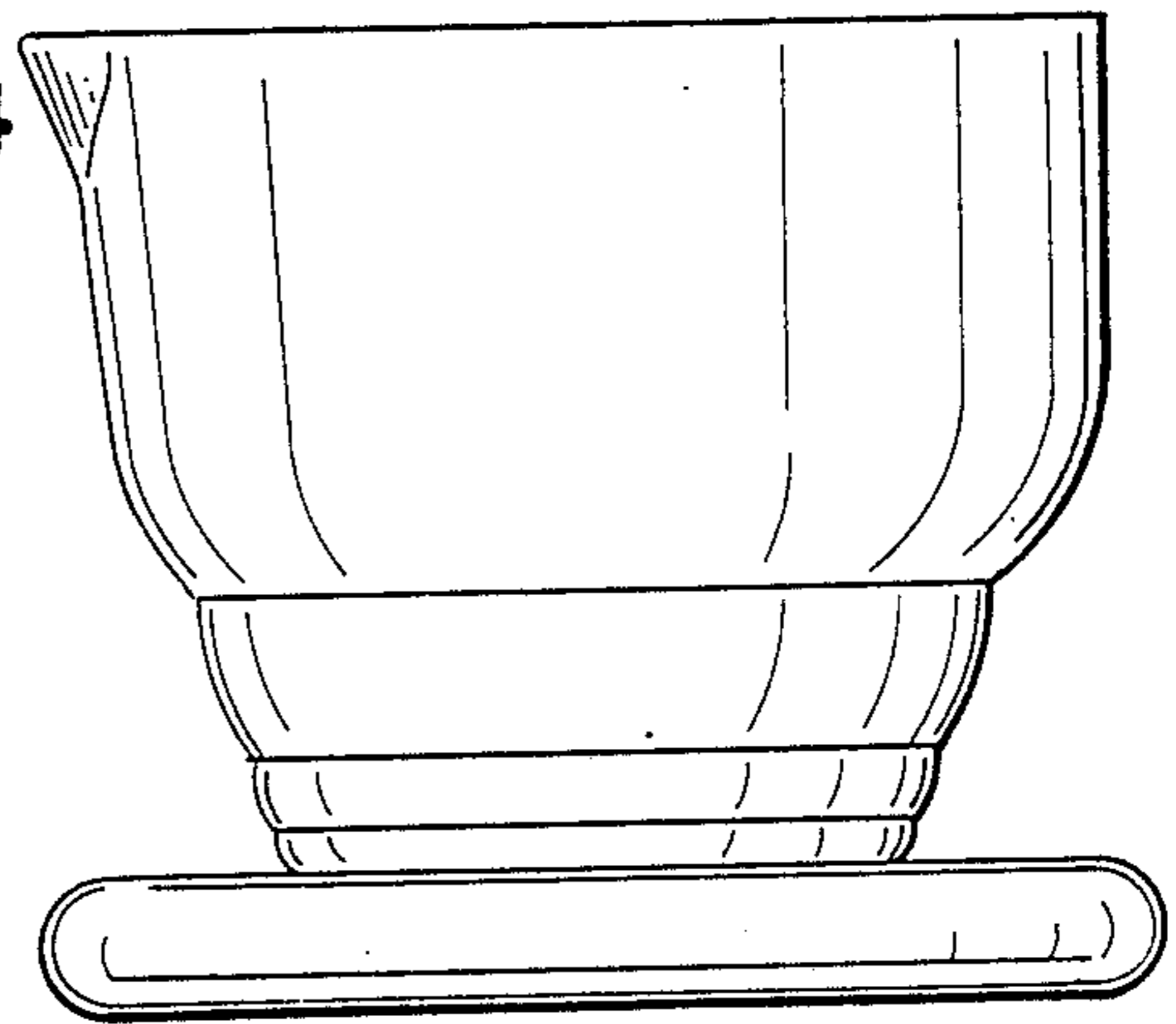


FIG. 5

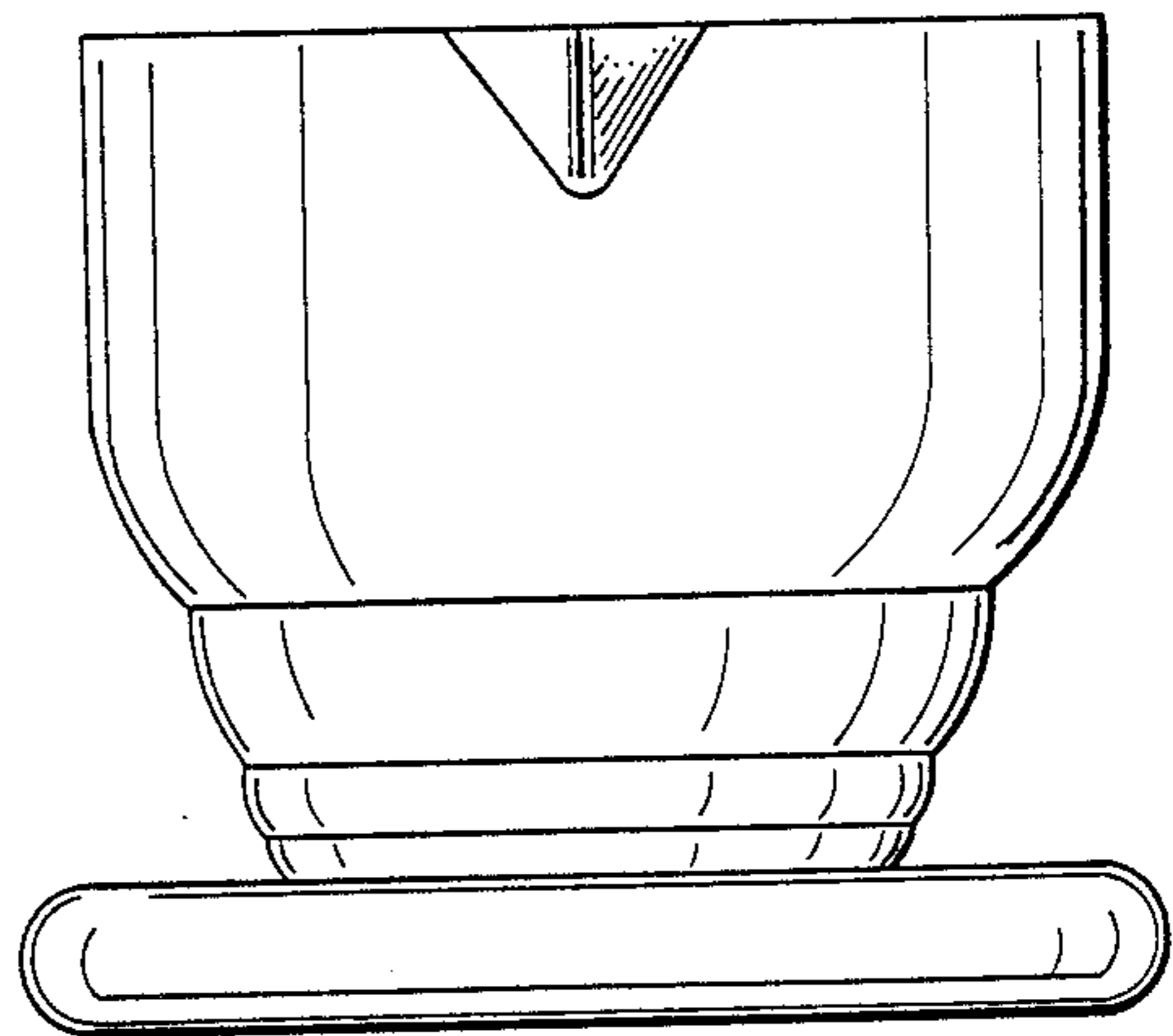


FIG. 2

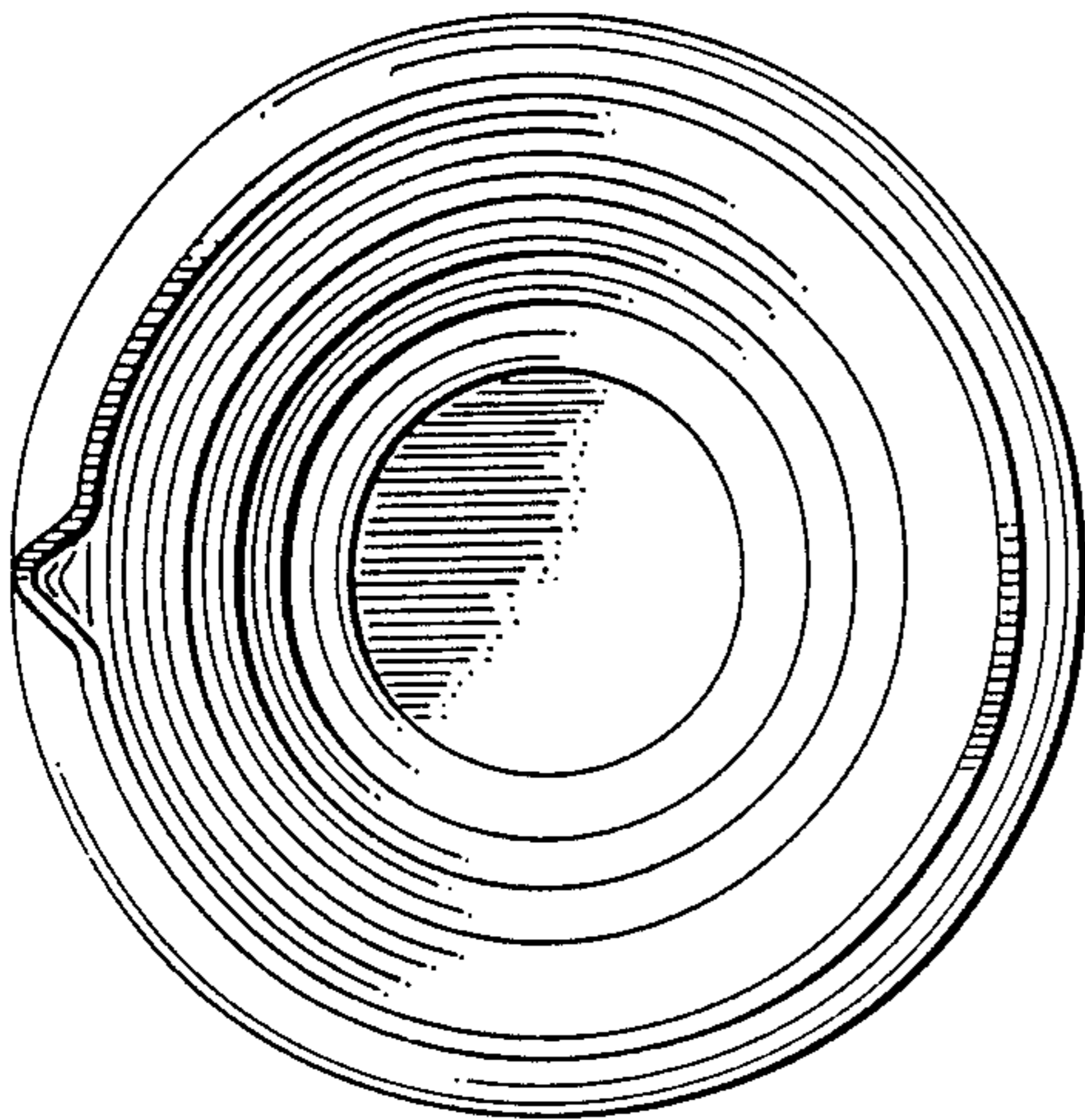


FIG. 6

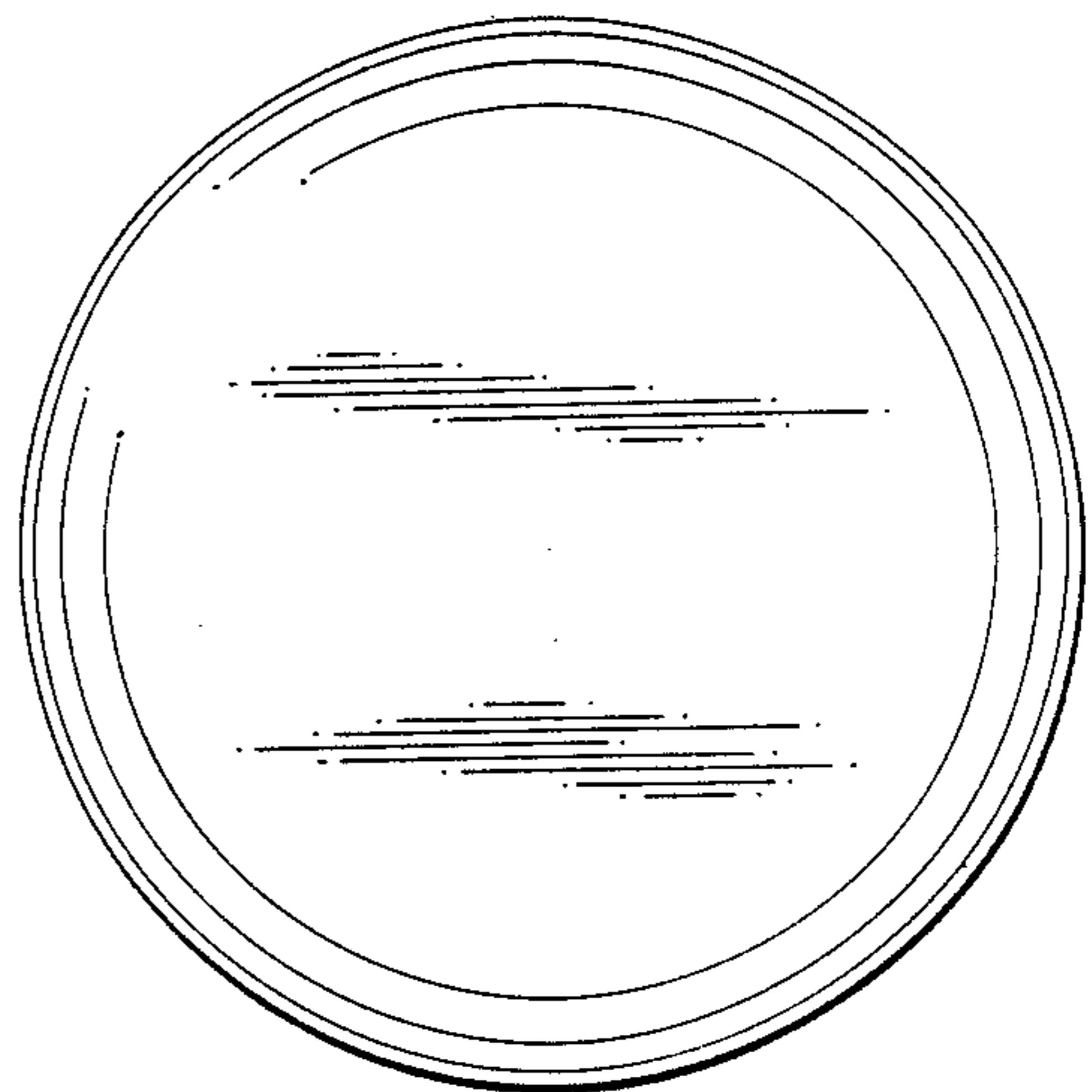


FIG. 3

