

[54] MEASURING TAPE GUIDE AND FINGER GUARD

[76] Inventor: Gene A. Johnson, 500 Clover St., Fairborn, Ohio 45324

[**] Term: 14 Years

[21] Appl. No.: 182,038

[22] Filed: Apr. 15, 1988

[52] U.S. Cl. D10/80

[58] Field of Search D10/70, 71, 72, 73, D10/74; 33/761, 767, 768, 769, 770

[56] References Cited

U.S. PATENT DOCUMENTS

- D. 152,838 2/1949 Stephen .
- D. 168,329 12/1952 Blum .
- D. 169,658 5/1953 Dart .
- D. 203,410 1/1966 Quenot .
- D. 203,622 2/1966 Quenot D10/72
- D. 205,373 7/1966 Quenot D10/72
- D. 205,467 8/1966 Quenot D10/72
- D. 209,774 1/1968 Fedoruk .
- D. 216,534 2/1970 Zelnick .
- D. 228,149 8/1973 Bennett .
- D. 253,877 1/1980 Covey et al. .
- D. 255,881 7/1980 Atienza .
- 259,556 6/1882 Kulman .
- 2,347,273 6/1943 Lyle .

- 2,649,787 8/1953 Kobayashi D10/72
- 2,807,886 10/1957 Aciego 33/189
- 3,192,630 7/1965 Dineson .
- 3,324,560 6/1967 Snyder .
- 3,526,964 9/1970 Clark, Jr. D10/72
- 3,774,309 11/1973 Leopoldi 33/138
- 3,823,481 7/1974 Chapin .
- 3,824,695 7/1974 McClay, Jr. .
- 4,598,027 7/1986 Johnson 33/769 X

Primary Examiner—Nelson C. Holtje
Assistant Examiner—Antoine D. Davis
Attorney, Agent, or Firm—Roger S. Dybvig

[57] CLAIM

The ornamental design for a measuring tape guide and finger guide, as shown.

DESCRIPTION

FIG. 1 is a top, front, and left side perspective view of a measuring tape guide and finger guard showing my new design, the broken line showing of a tape measure is for illustrative purposes only and forms no part of the claimed design;
FIG. 2 is a left side elevational view;
FIG. 3 is a top plan view;
FIG. 4 is a right side elevational view;
FIG. 5 is a front elevational view;
FIG. 6 is a rear elevational view; and
FIG. 7 is a bottom plan view thereof.

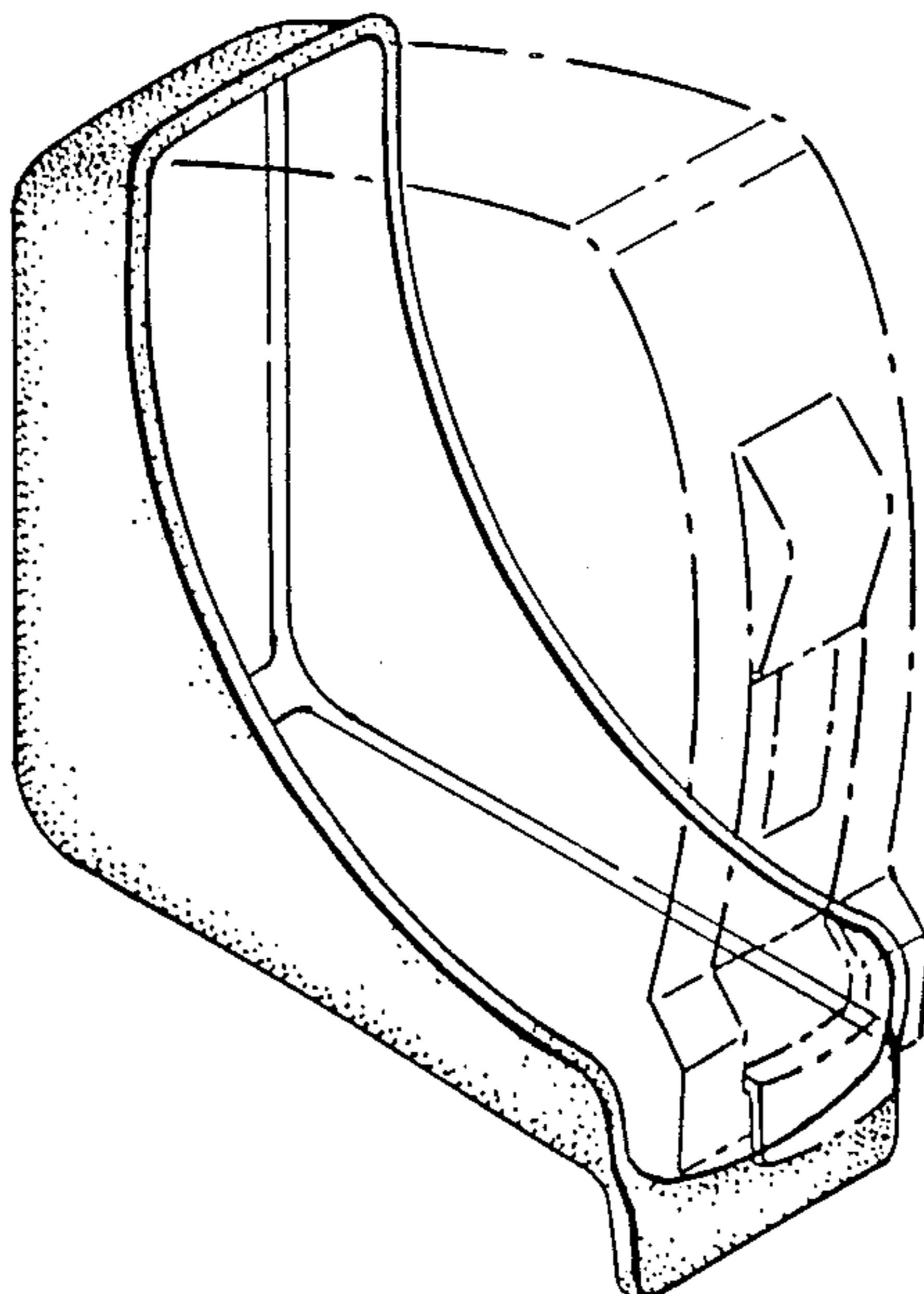


FIG-1

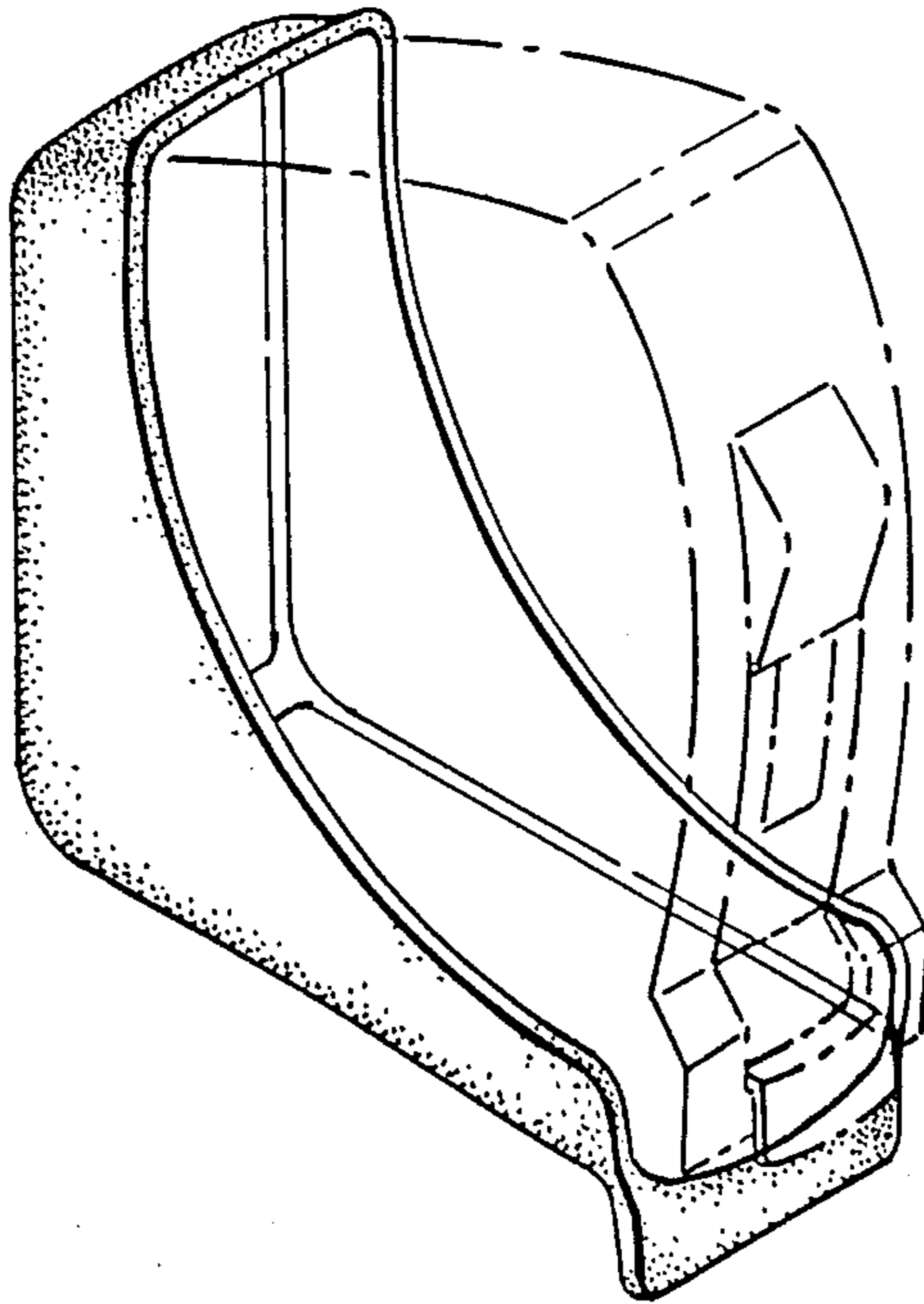


FIG-2

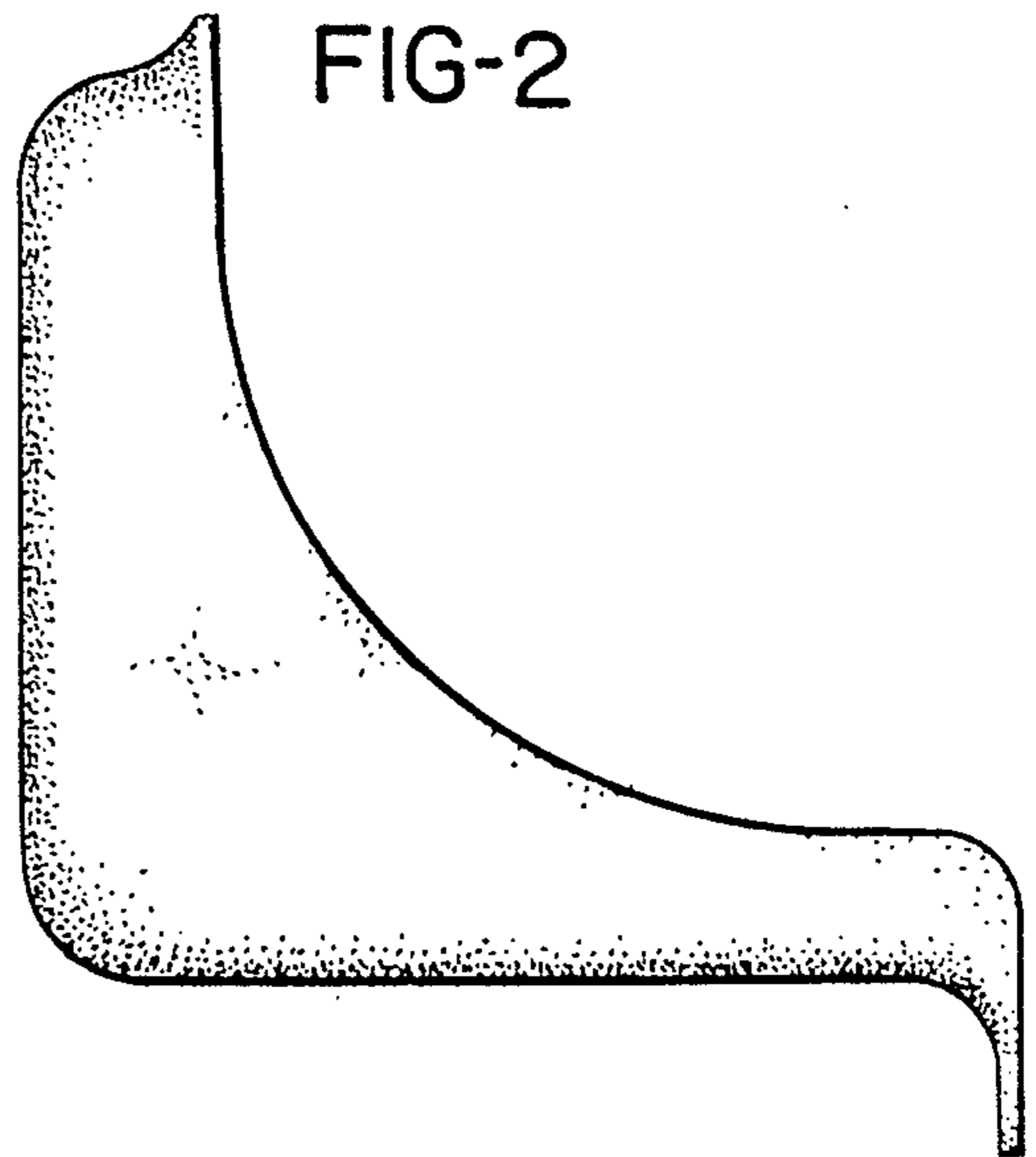


FIG-3

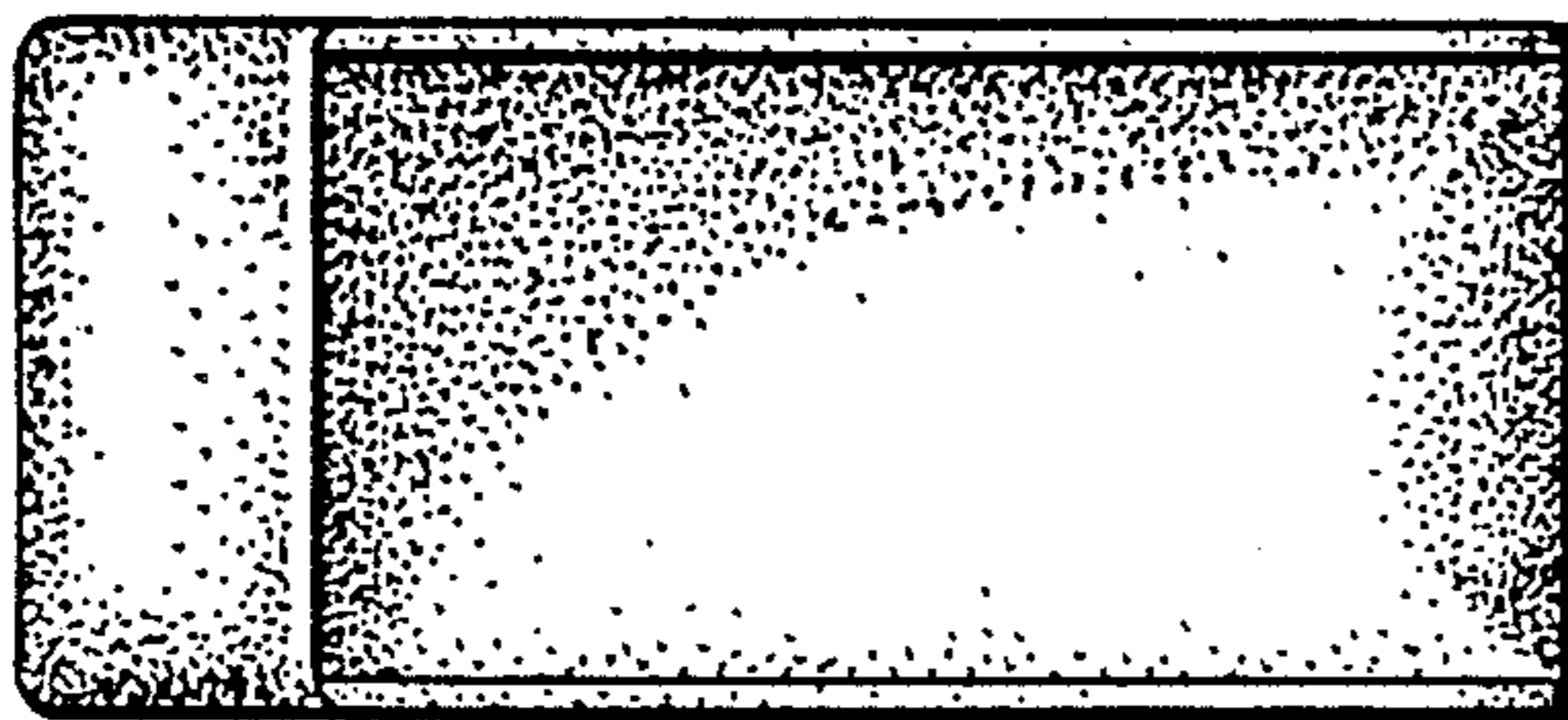


FIG-4

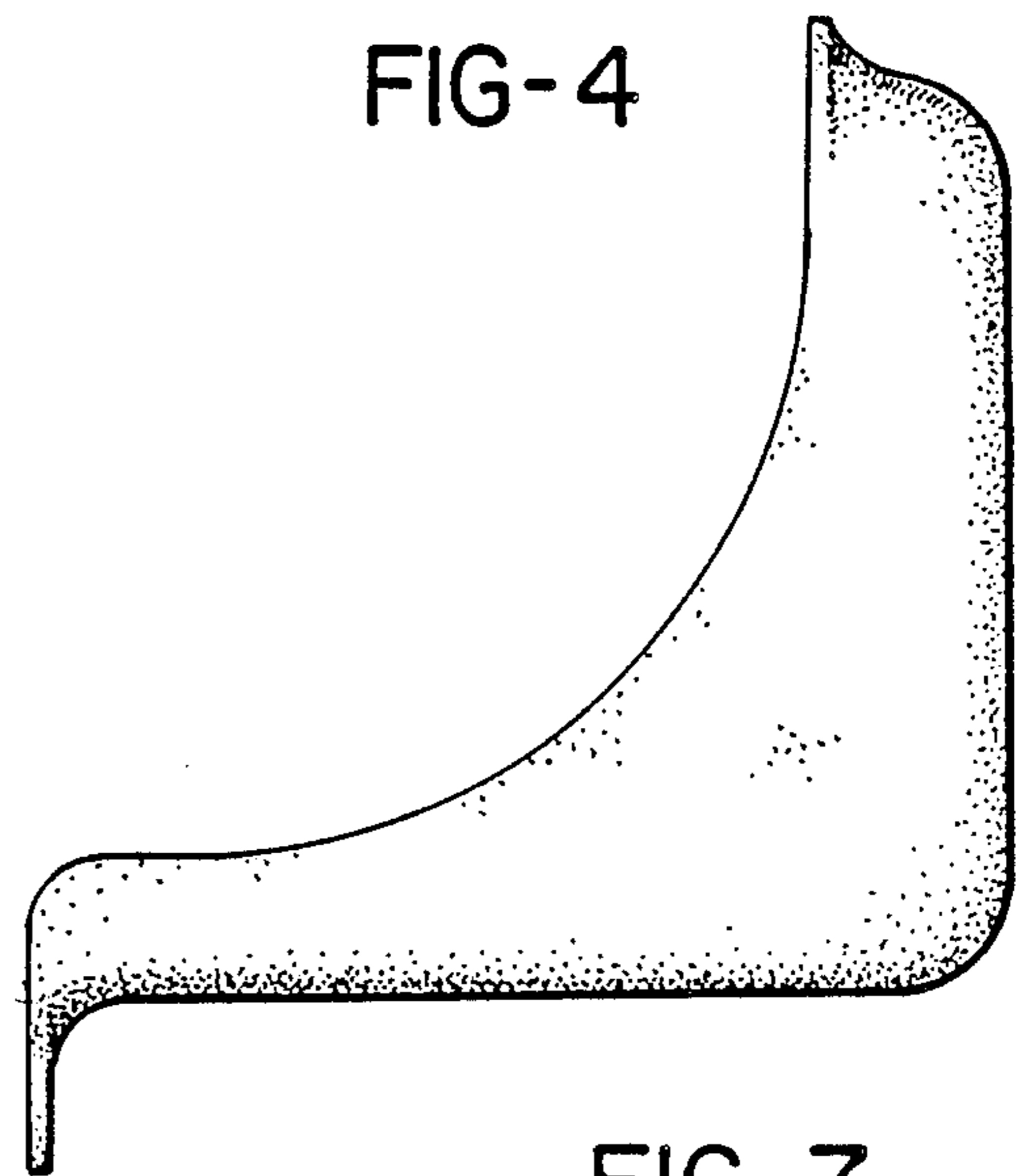


FIG-5

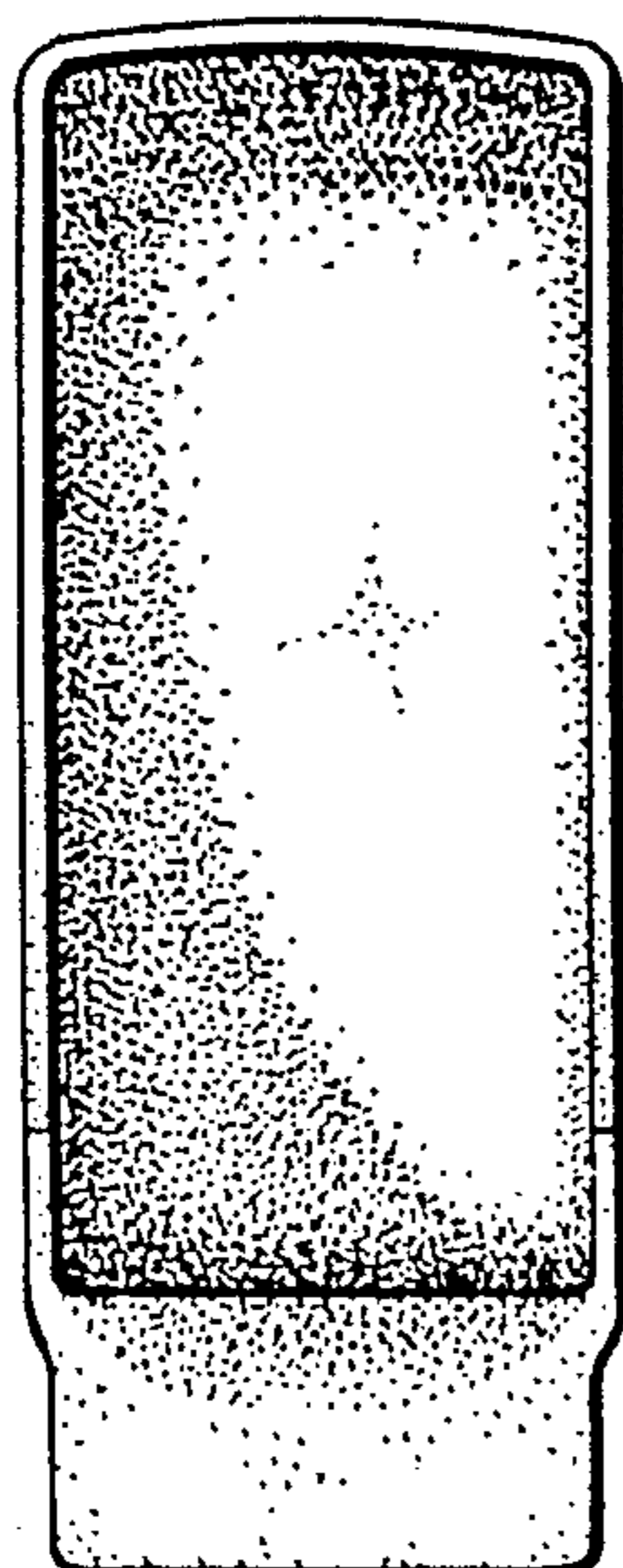


FIG-6

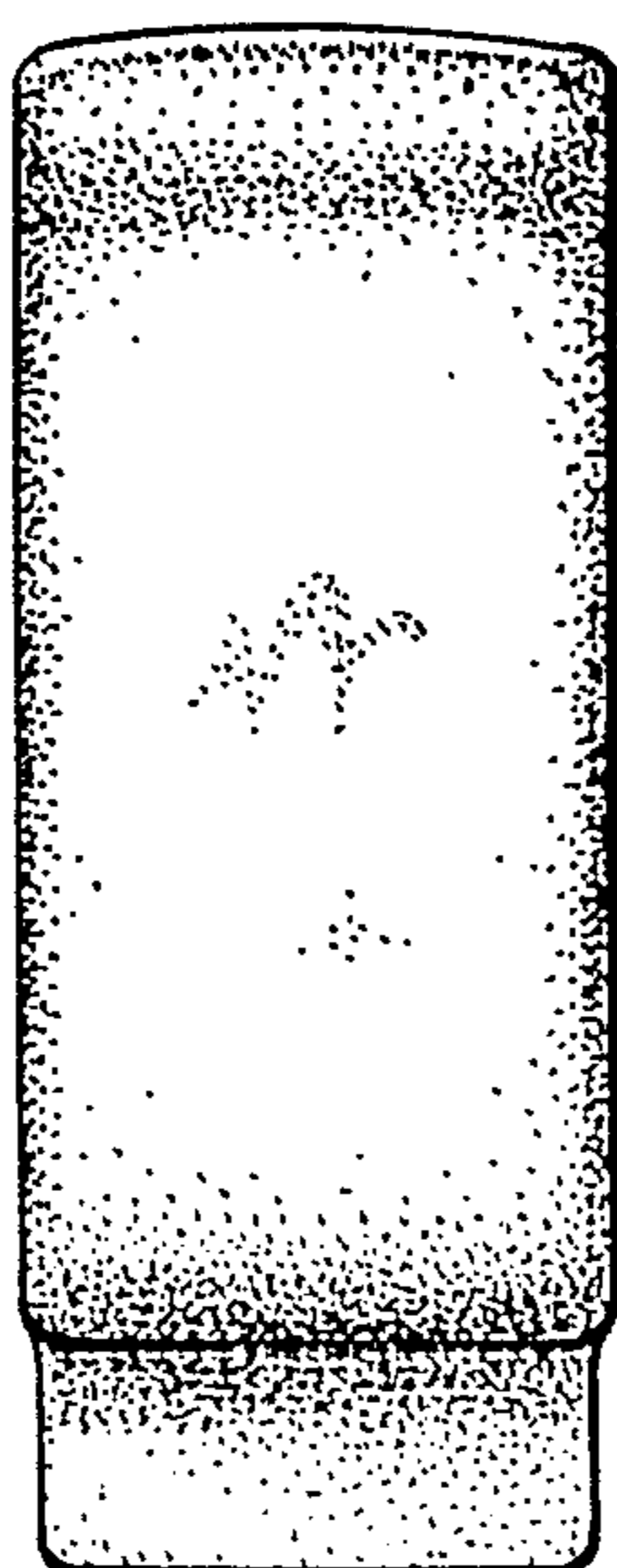


FIG-7

