

[54] RELAY CONTROL

[75] Inventors: Jerry Klaves, Kenosha, Wis.; Ted VonArx, LaCrescent, Minn.

[73] Assignee: Watlow/Winona, Inc., Winona, Minn.

[**] Term: 14 Years

[21] Appl. No.: 190,524

[22] Filed: May 5, 1988

[52] U.S. Cl. D10/50

[58] Field of Search D10/49, 50, 51, 52, D10/57, 58; D13/32, 33; 236/46 R, 46 A, 46 B, 46 C, 46 D, 46 E, 46 F, 33, 67, 68 R, 68 A, 68 B, 68 C, 68 D, 68 E, 68 F, 71, 72, 78, 94; 337/360, 352, 14, 298; 361/395

[56] References Cited

U.S. PATENT DOCUMENTS

- D. 163,885 7/1951 McFarland D10/50
- D. 186,997 1/1960 Claus D10/50
- D. 187,390 3/1960 Claus D10/50
- D. 201,914 8/1965 Monson D10/50
- D. 238,583 1/1976 Russell D10/49 X
- D. 248,092 6/1978 Fujita et al. D10/40

- D. 248,149 6/1978 Fujita et al. D10/40
- D. 253,044 10/1979 Hewson D10/50
- 2,564,322 8/1951 Brosseau et al. 337/302
- 3,140,372 7/1964 Randolph et al. 337/352 X
- 3,251,549 5/1966 Hewitt, Jr. et al. 236/68 B
- 3,670,284 6/1972 Fortier et al. 337/360
- 3,823,547 7/1974 Hutterstrum et al. D10/40 X
- 4,171,769 10/1979 Trimpey 236/68 B X

OTHER PUBLICATIONS

Crouzet, Octal Cycle, Progress Timer, 10/1979, cover page.

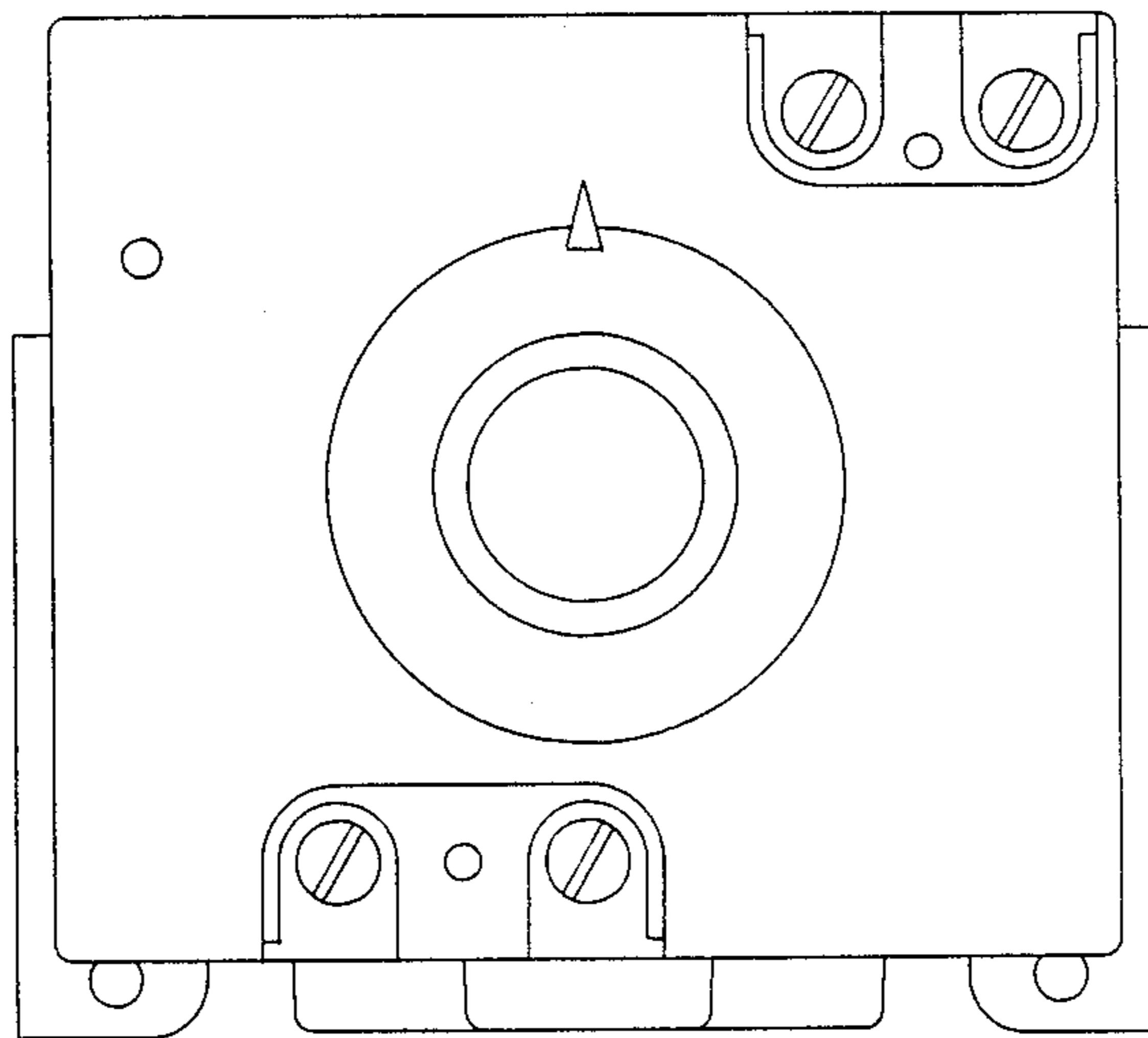
Primary Examiner—Nelson C. Holtje
Assistant Examiner—Antoine D. Davis
Attorney, Agent, or Firm—Hugh D. Jaeger

[57] CLAIM

The ornamental design for a relay control, as shown.

DESCRIPTION

FIG. 1 is a front elevational view of a relay control showing our new design;
FIG. 2 is a left side elevational view;
FIG. 3 is a right side elevational view;
FIG. 4 is a bottom plan view;
FIG. 5 is a top plan view; and
FIG. 6 is a rear elevational view thereof.



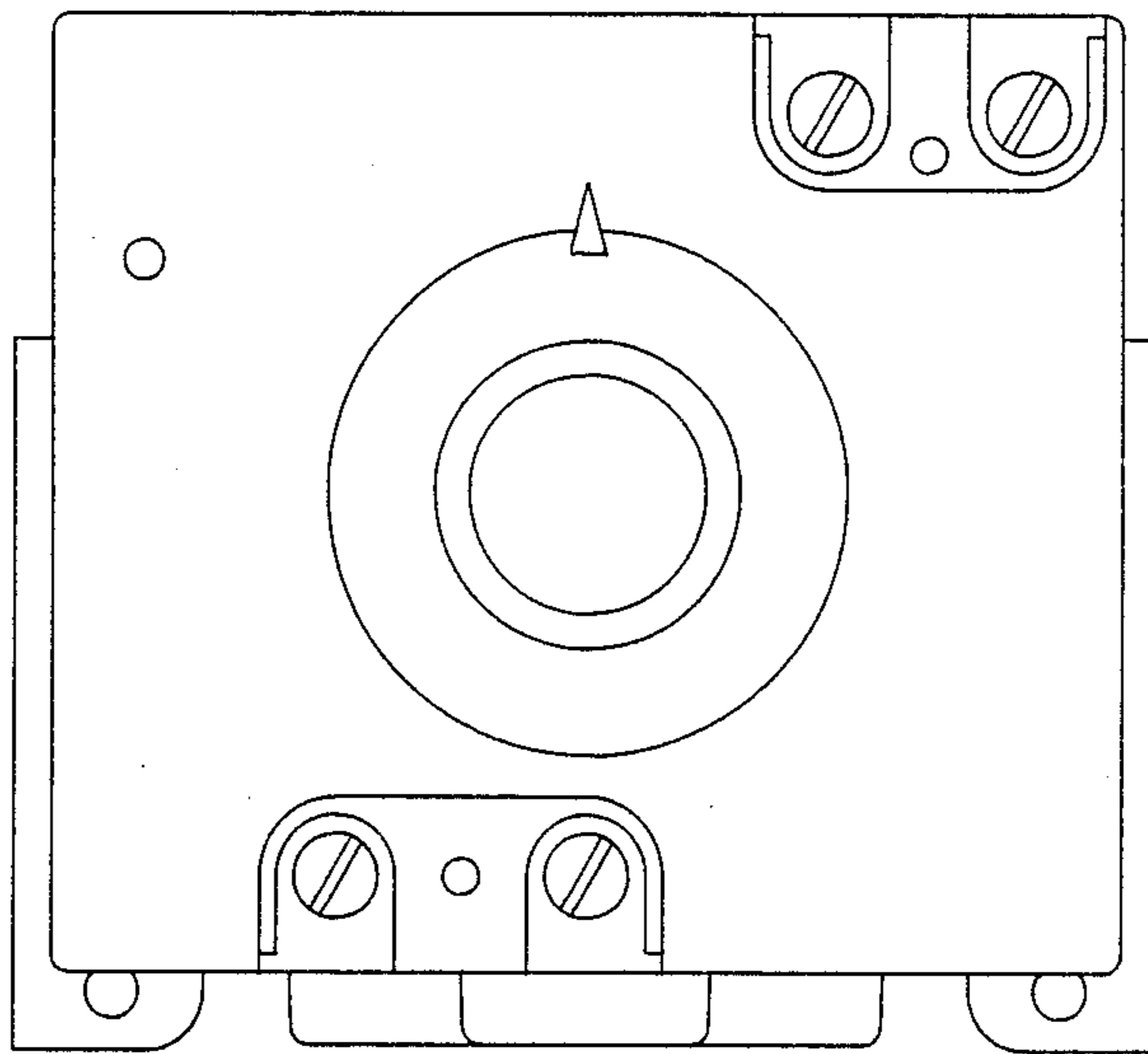


FIG. 1

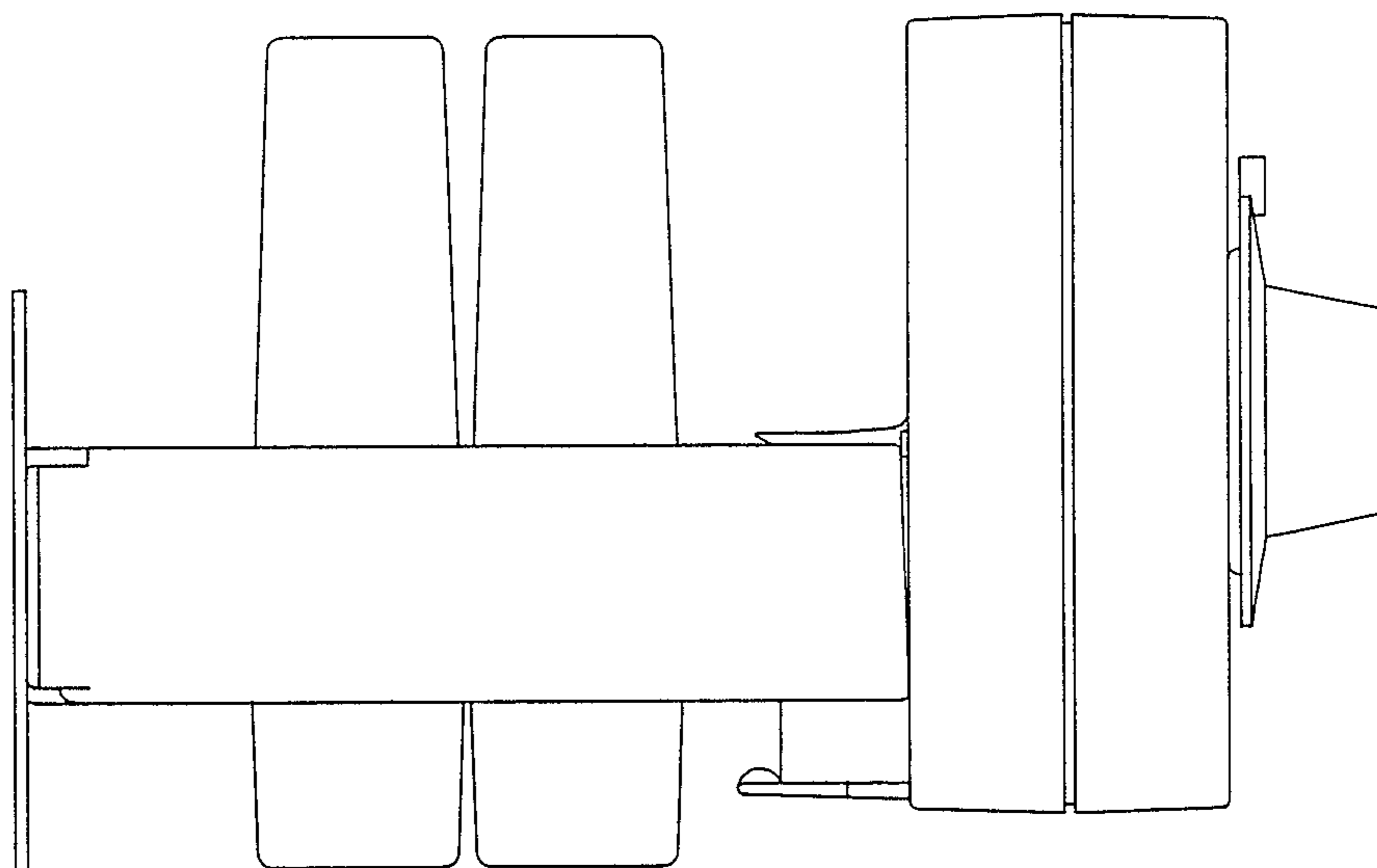


FIG. 2

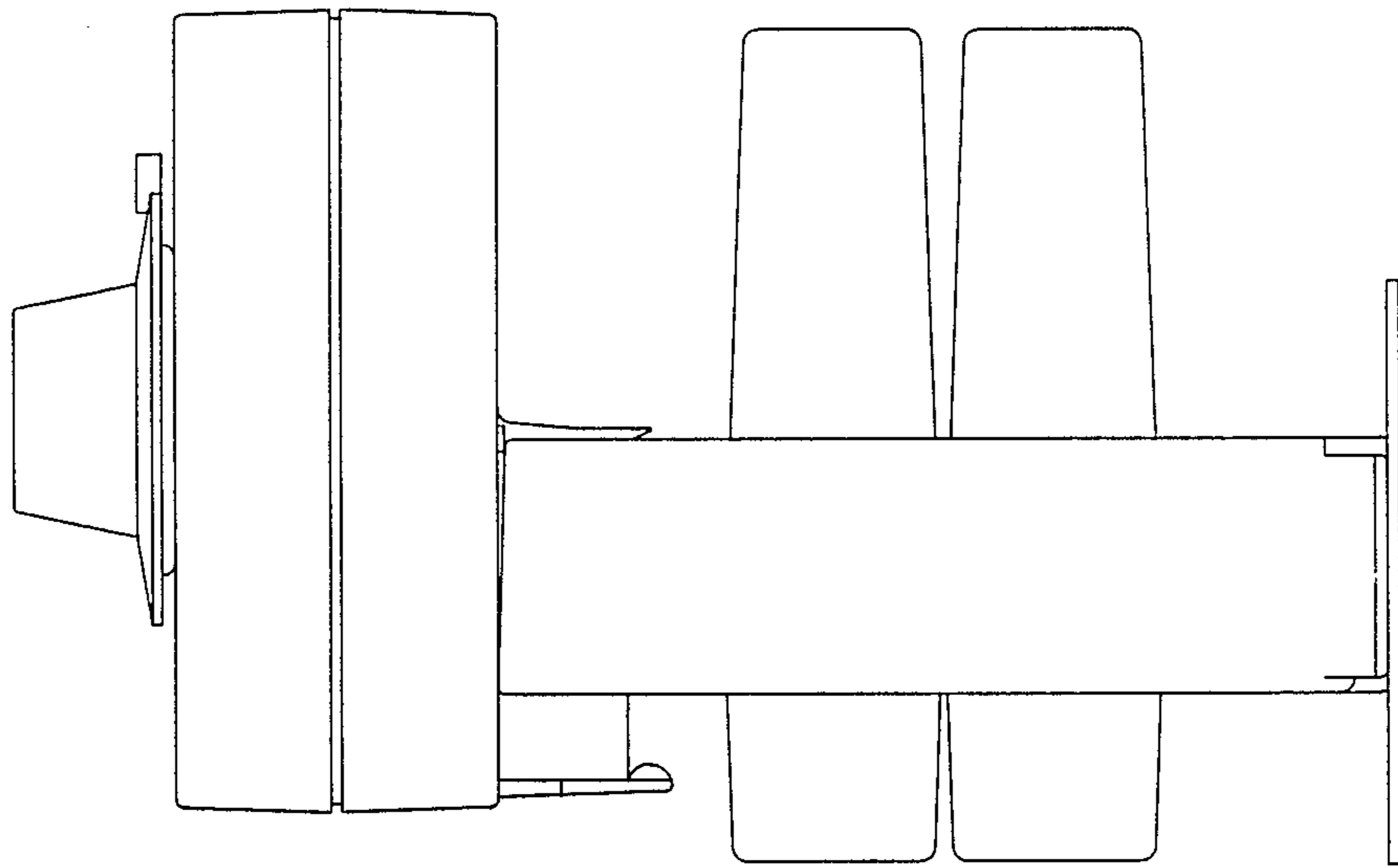


FIG. 3

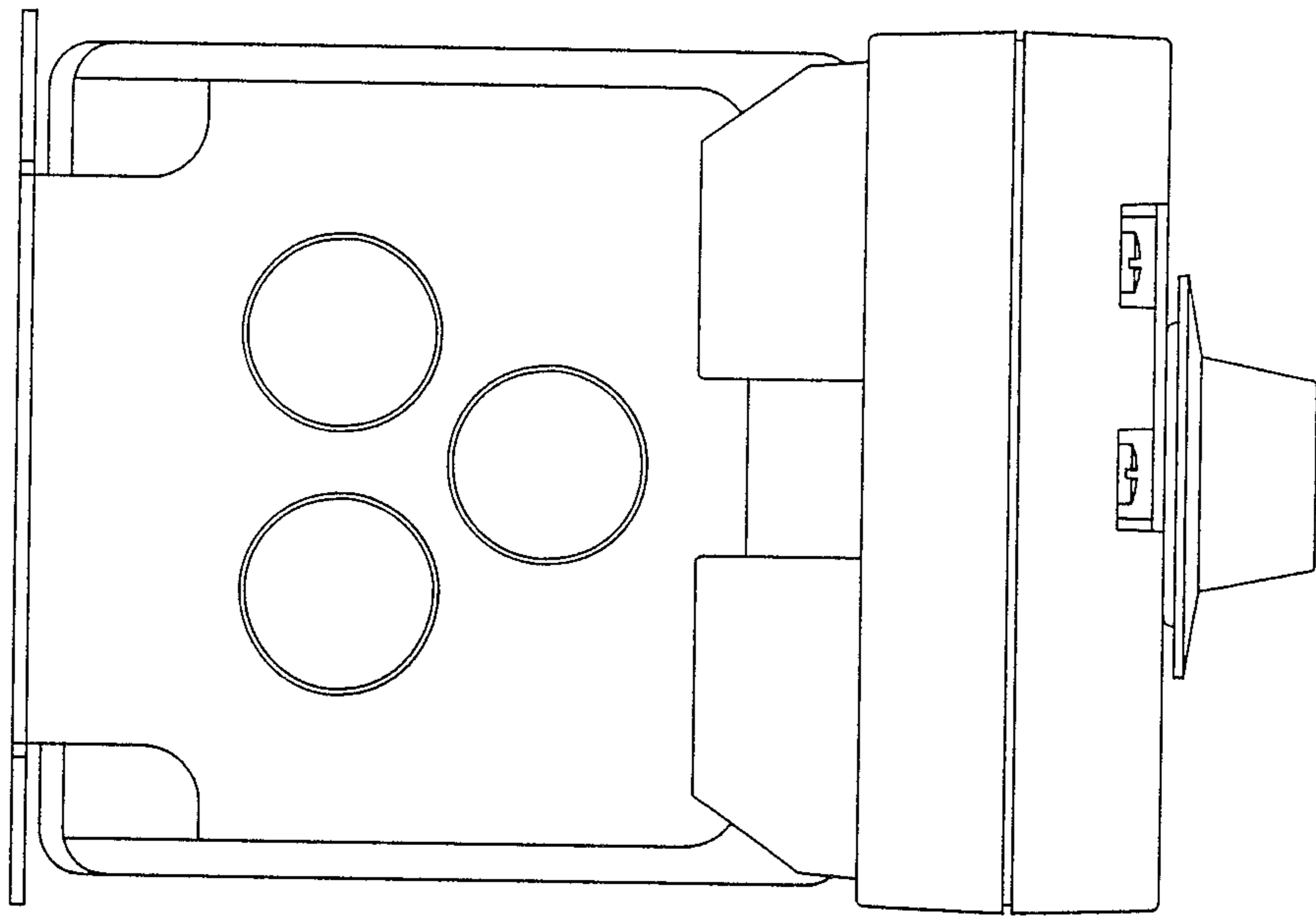


FIG. 4

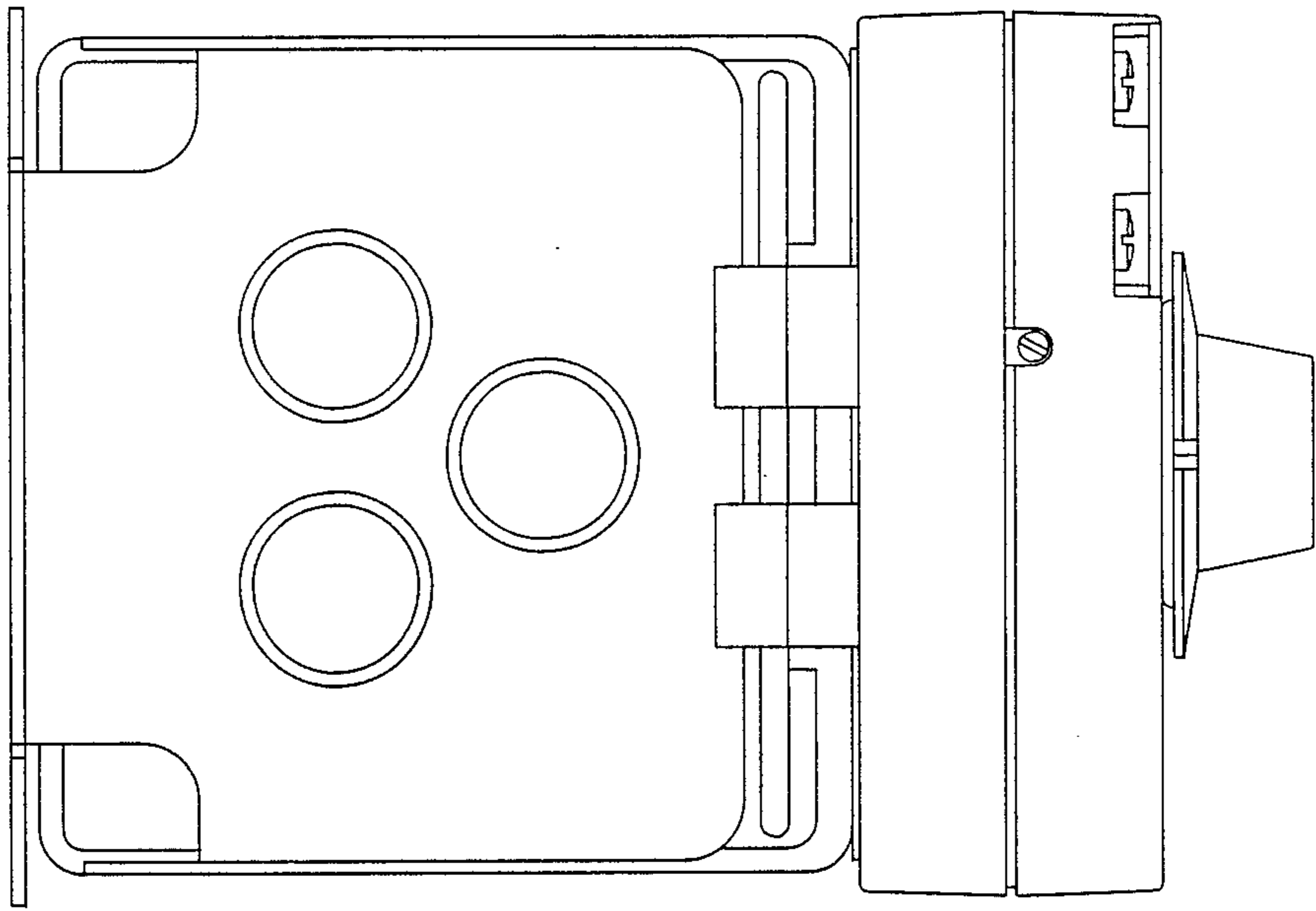


FIG. 5

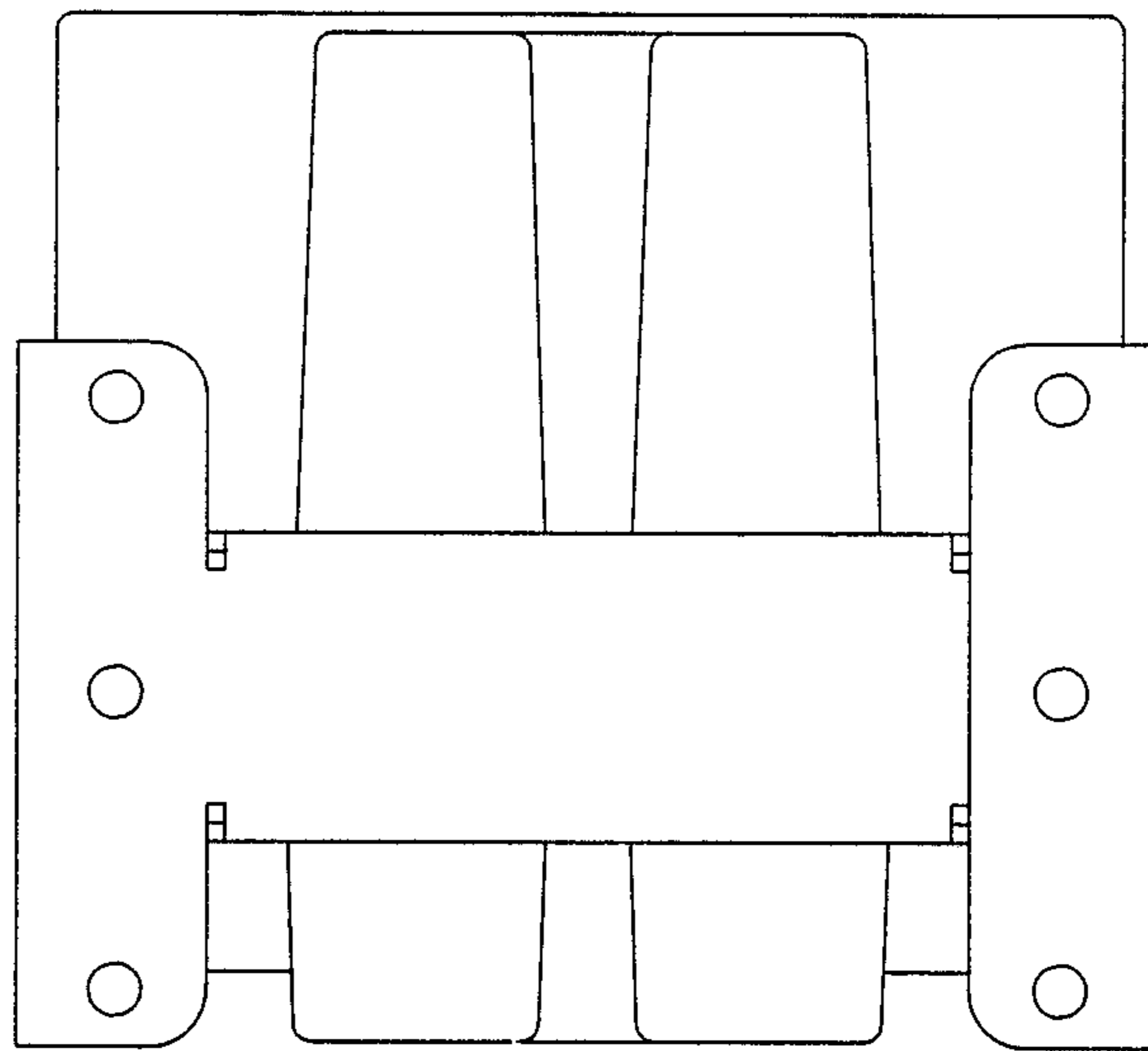


FIG. 6