

[54] CLOCK

399,097 3/1889 Tyrill ..... 368/300

[75] Inventor: Daisuke Kumakura, Niigata, Japan

OTHER PUBLICATIONS

[73] Assignee: Twin Bird Industrial Company Ltd., Niigata, Japan

*Jewlers' Circular-Keystone*, 9-60, p. 46, watch at top right.

[\*\*] Term: 14 Years

*European Jewler*, 3-79, p. 90, watch at right of group, center left.

[21] Appl. No.: 29,404

*Hong Kong Enterprise*, 1-86, p. 205, watch far right of top left group.

[22] Filed: Mar. 23, 1987

Primary Examiner—Nelson C. Holtje  
Assistant Examiner—Gary D. Watson  
Attorney, Agent, or Firm—Eckert Seamans Cherin & Mellott

[30] Foreign Application Priority Data

Dec. 5, 1986 [JP] Japan ..... 61-48380

[52] U.S. Cl. .... D10/22; D10/30

[58] Field of Search ..... D10/1, 21-27, D10/30, 37, 39; 368/62, 76, 180-183, 223, 228, 232, 276-277, 280-282, 285, 300

[57] CLAIM

The ornamental design for a clock, as shown and described.

[56] References Cited

DESCRIPTION

U.S. PATENT DOCUMENTS

- D. 60,866 4/1922 Kuchtik ..... D10/30
- D. 70,689 7/1926 Kislinger ..... D10/30
- D. 73,457 9/1927 Weiss ..... D10/23
- D. 121,916 8/1940 Ornstein ..... D10/30
- D. 144,210 3/1946 Murray ..... D10/23
- D. 289,739 5/1987 Froideraux ..... D10/37
- D. 300,006 2/1989 Booty ..... D10/30

FIG. 1 is a top and right front perspective view of a clock showing my new design;  
FIG. 2 is a front elevational view;  
FIG. 3 is a right side elevational view, the left side elevational view being a mirror image;  
FIG. 4 is a top plan view thereof.  
The cords of FIGS. 1 through 3 are shown broken away to indicate indeterminate length.

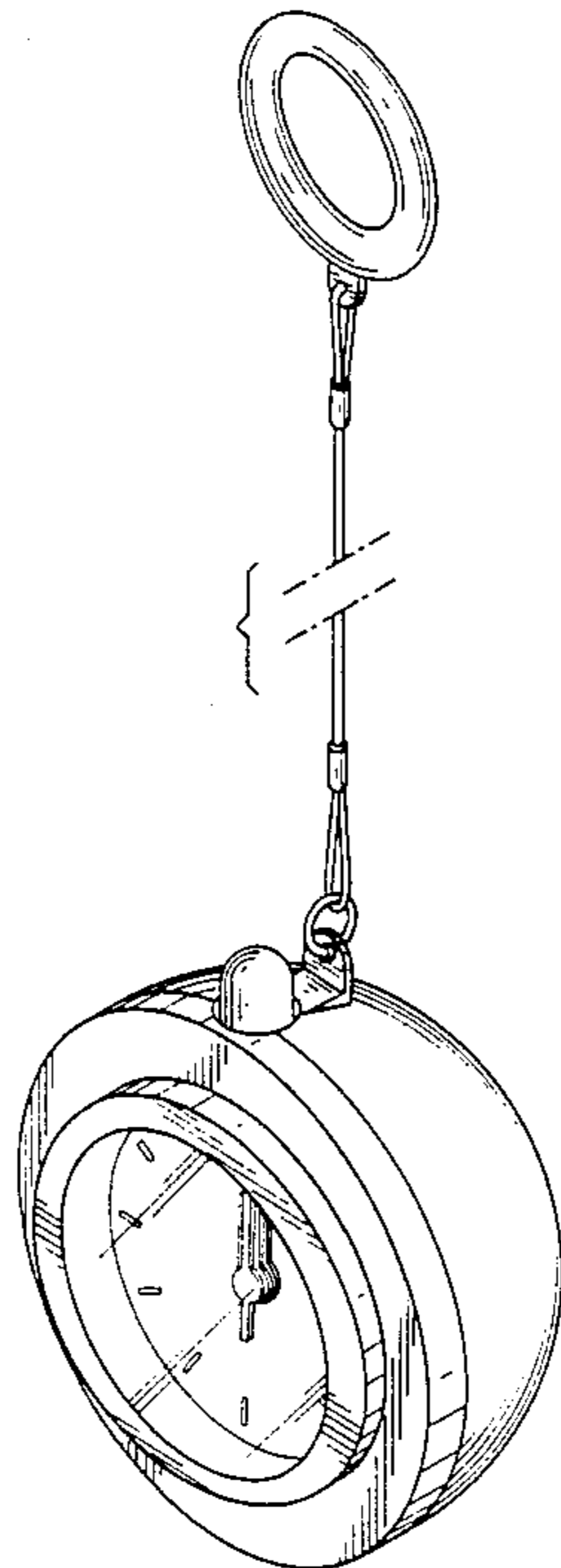


FIG. 1

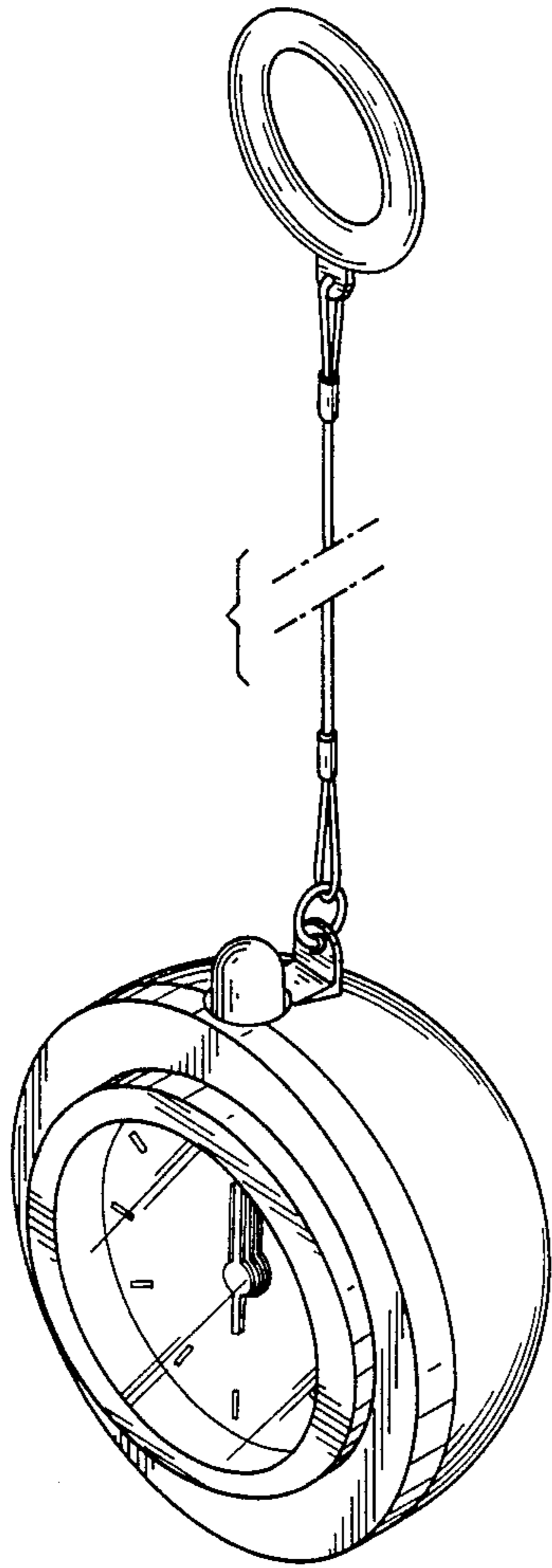


FIG. 2

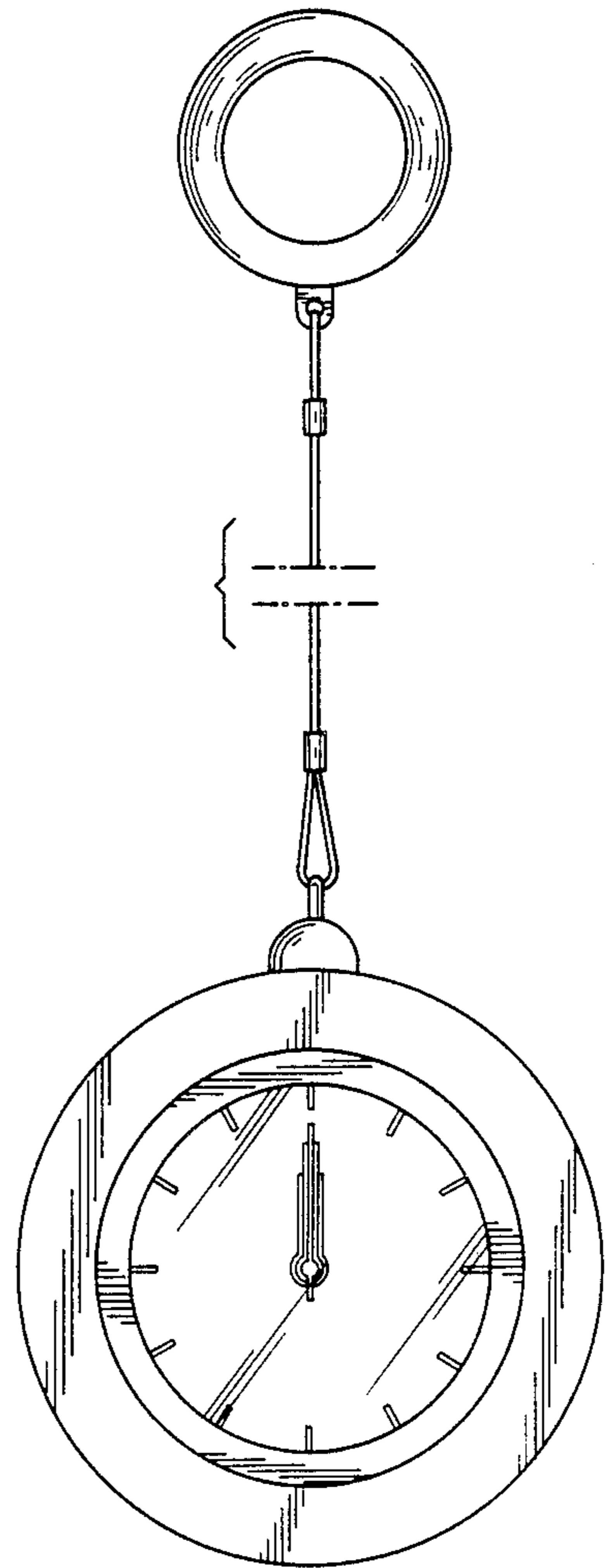


FIG. 3

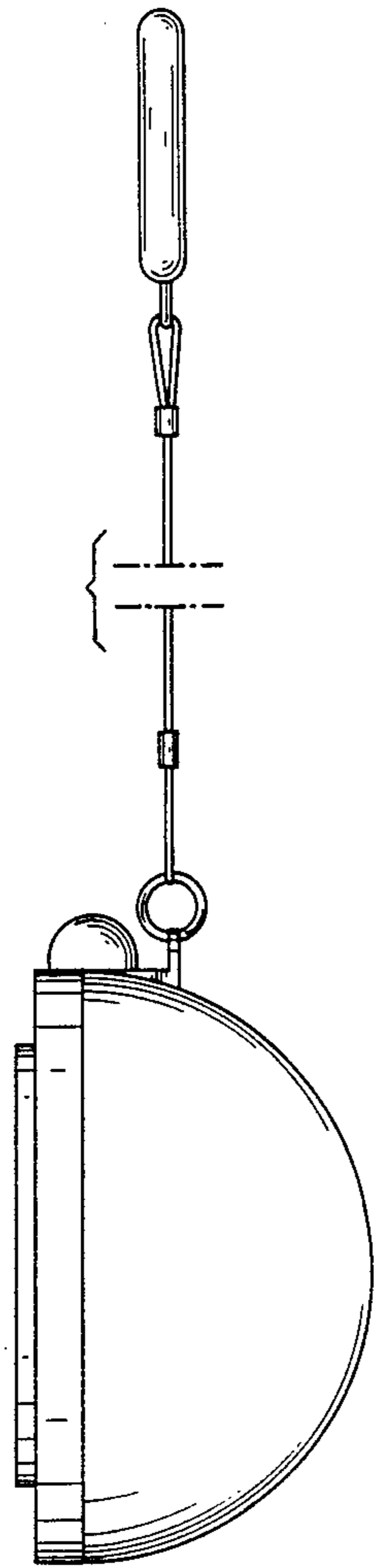


FIG. 4

