

[54] CLOCK

[76] Inventors: Warren W. Luce; Marietta D. Luce, both of 12566 Cabezon Pl., San Diego, Calif. 92129

[**] Term: 14 Years

[21] Appl. No.: 104,661

[22] Filed: Oct. 5, 1987

[52] U.S. Cl. D10/12

[58] Field of Search D10/1-39; 368/30, 76, 82-84, 239-242, 278

[56] References Cited

U.S. PATENT DOCUMENTS

| | | | |
|------------|--------|-------------------|--------|
| 16,899 | 9/1886 | Hiller | D10/8 |
| D. 145,298 | 7/1946 | Hill | D10/12 |
| 2,082,612 | 6/1937 | Bourquin | D10/12 |
| 4,280,211 | 7/1981 | Mayenschein | 368/76 |

OTHER PUBLICATIONS

Best Catalog, 1974, p. 239; Item K.

Primary Examiner—Nelson C. Holtje

Assistant Examiner—Gary D. Watson

Attorney, Agent, or Firm—Jerry T. Kearns

[57] CLAIM

The ornamental design for a clock, as shown and described.

DESCRIPTION

FIG. 1 is a front elevational view of a clock showing our new design;

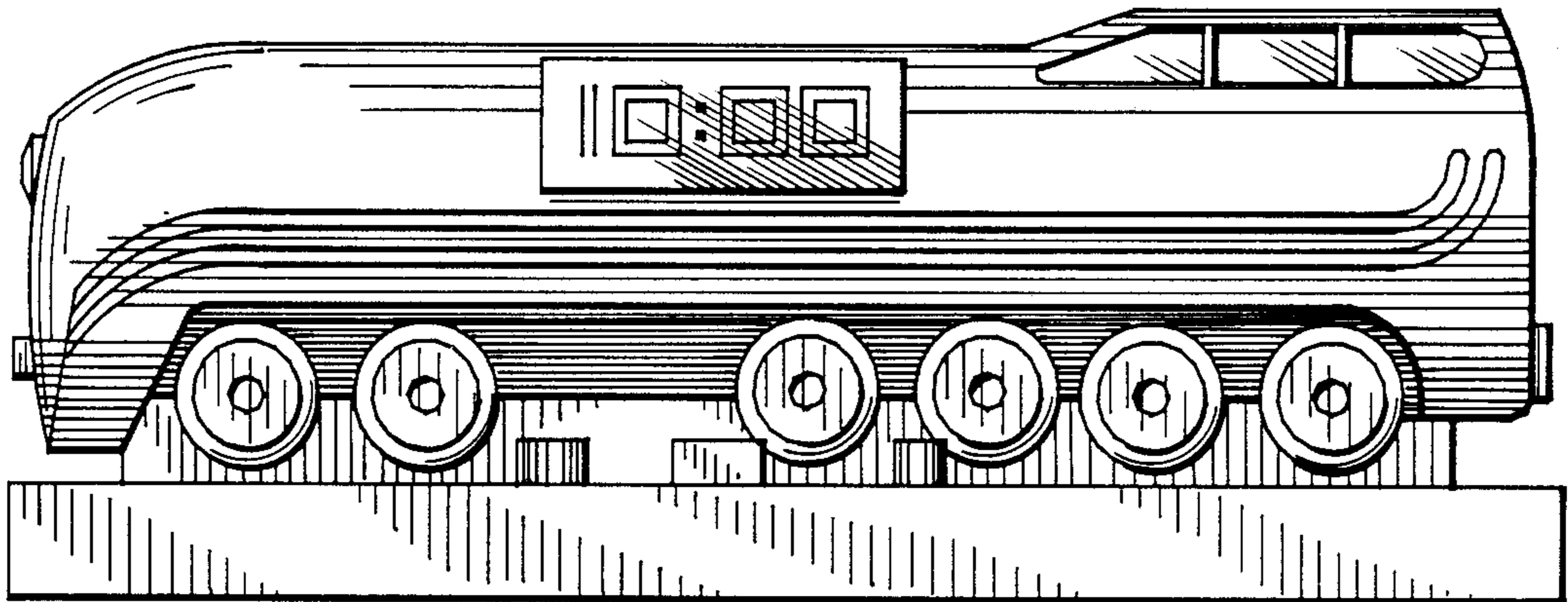
FIG. 2 is a rear elevational view;

FIG. 3 is a left side elevational view;

FIG. 4 is a right side elevational view;

FIG. 5 is a top plan view; and,

FIG. 6 is a bottom plan view thereof.



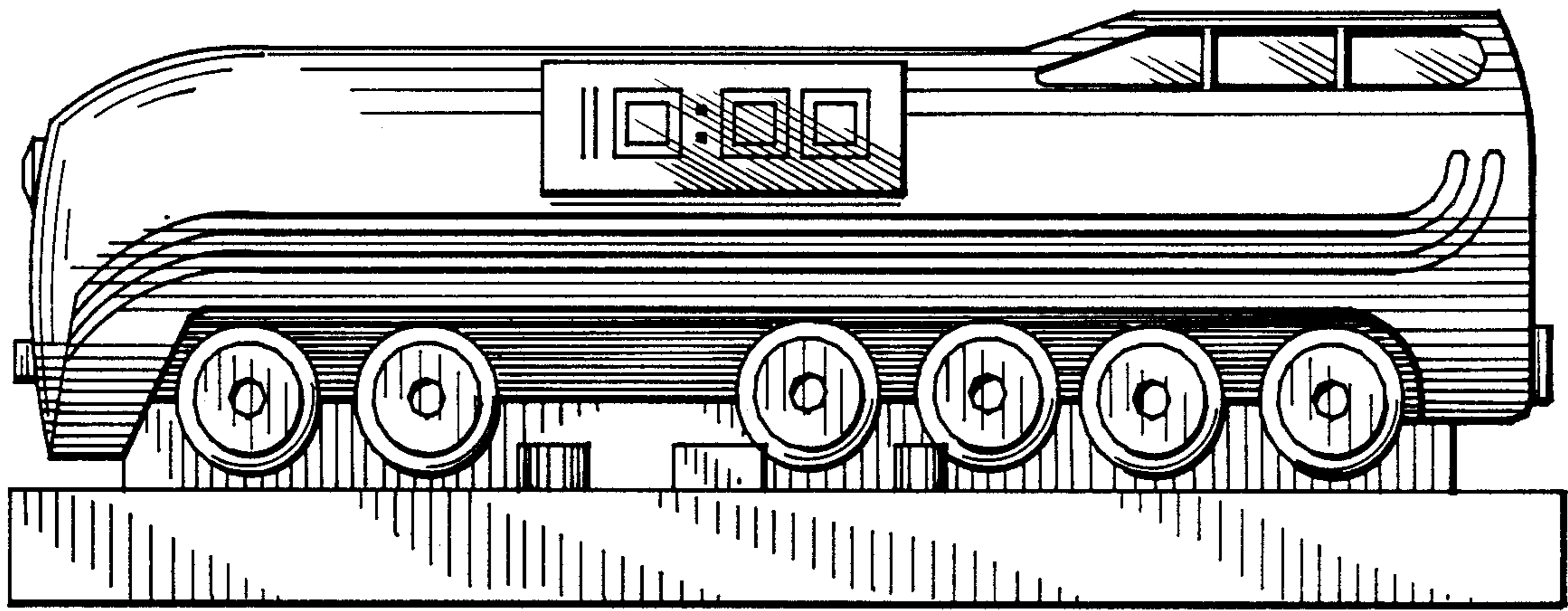


Fig. 1

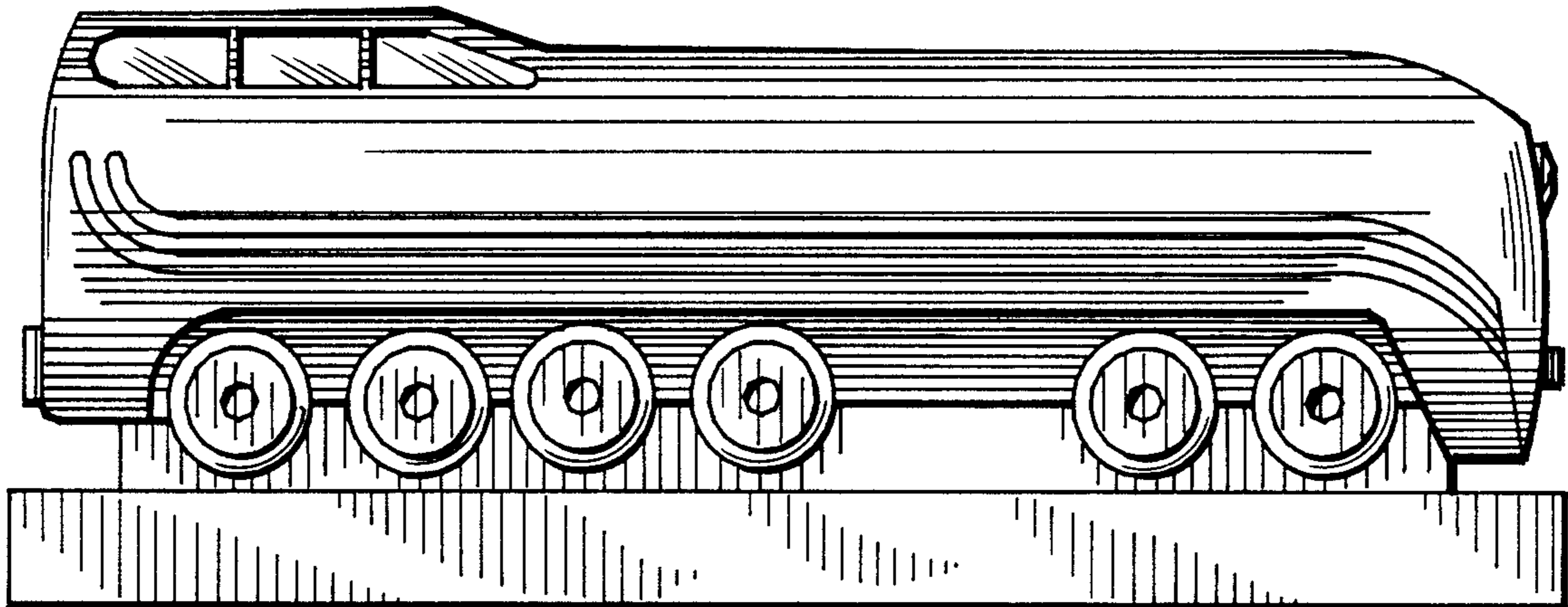


Fig. 2

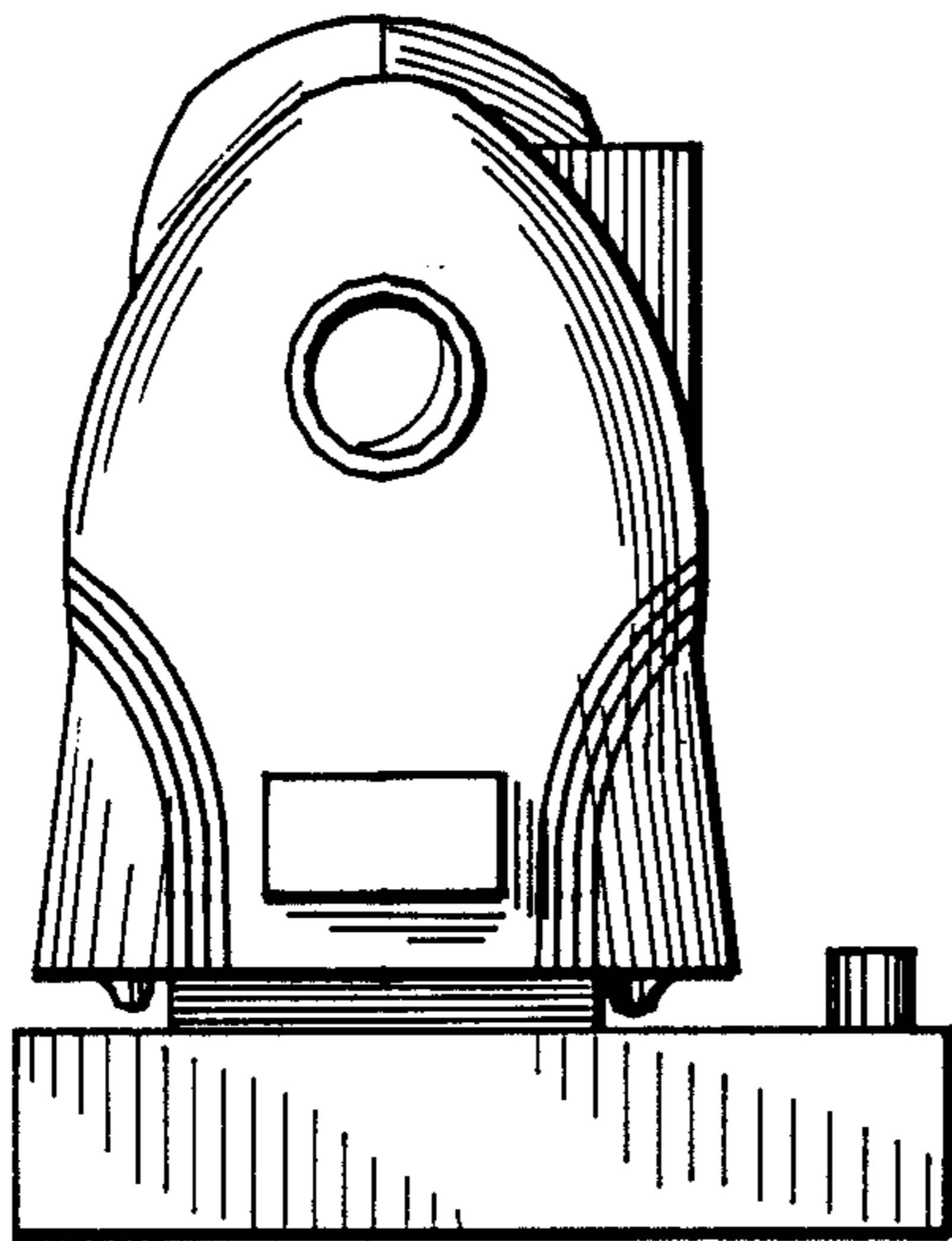


Fig. 3

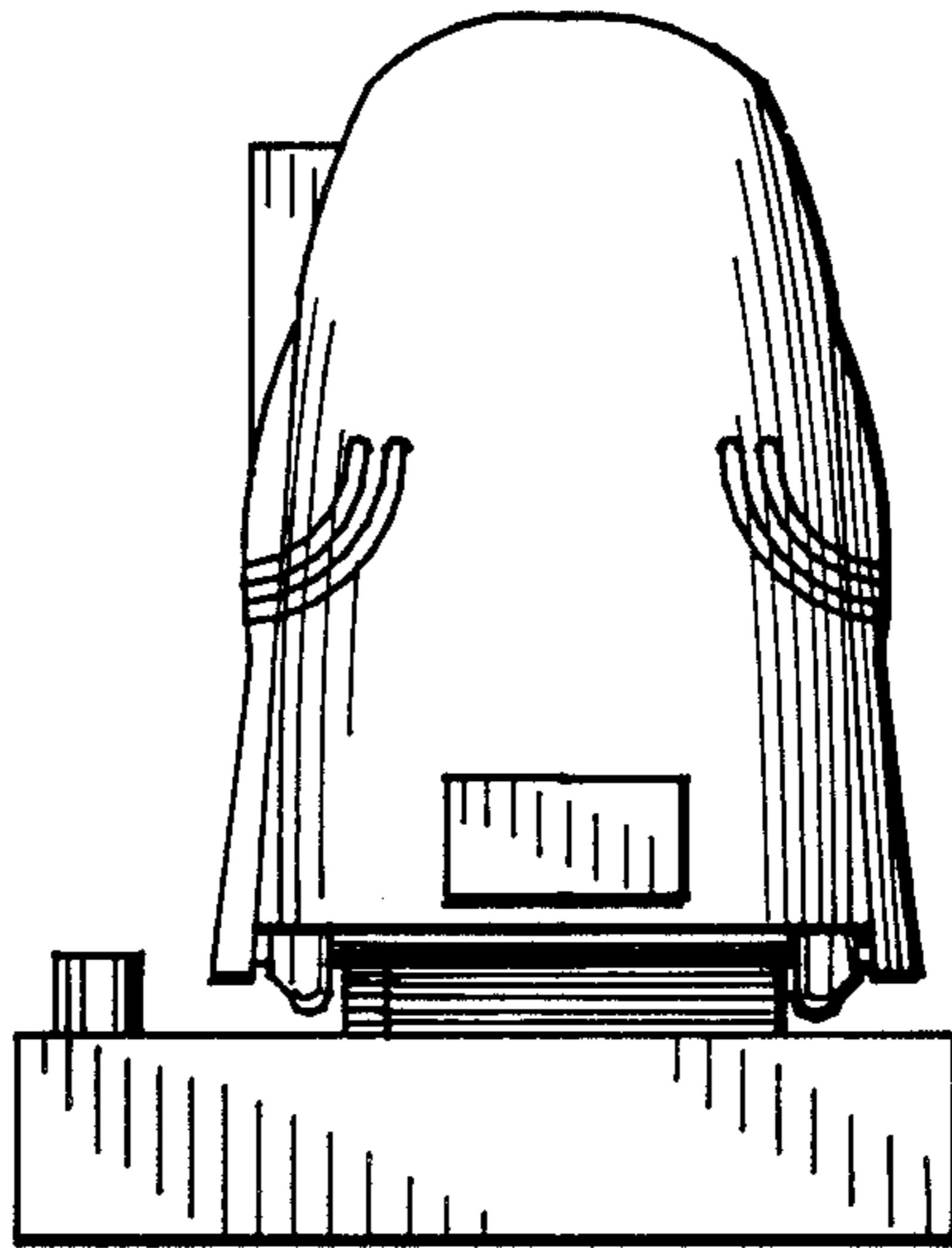


Fig. 4

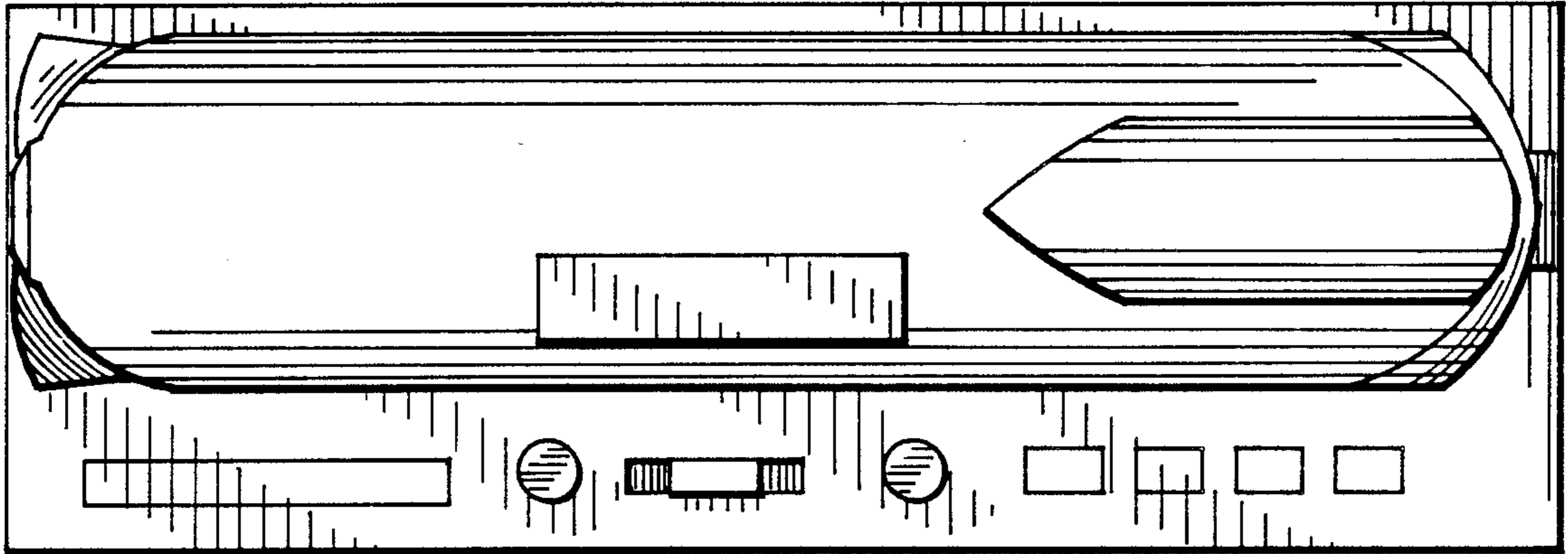


Fig. 5

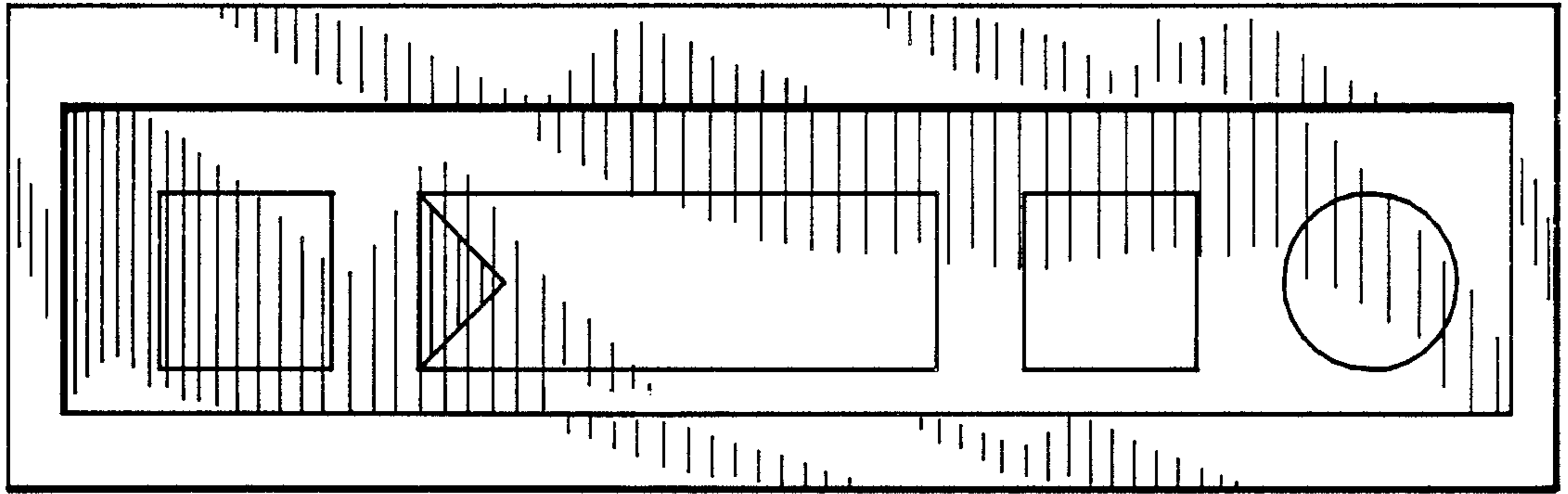


Fig. 6