

[54] CONTAINER FOR LOBSTERS OR THE LIKE

[75] Inventor: Charles Poirier, St-Damien, Canada

[73] Assignee: IPL Inc., St-Damien, Canada

[**] Term: 14 Years

[21] Appl. No.: 246,305

[22] Filed: Sep. 19, 1988

[52] U.S. Cl. D9/424

[58] Field of Search D9/424, 425, 431;
206/507, 508, 518, 503; 220/23.83, DIG. 12;
D34/40

[56] References Cited

U.S. PATENT DOCUMENTS

- D. 233,628 11/1974 Dunning et al. D9/425 X
- D. 246,854 1/1978 Baker D9/341 X
- D. 277,797 2/1985 Chabot D9/431 X

- 3,463,345 8/1969 Bockenstette 206/508 X
- 4,362,244 12/1982 Cornou 206/507
- 4,620,644 11/1986 Miller 206/508 X
- 4,765,480 8/1988 Malmanger 206/518 X

Primary Examiner—Bernard Ansher
Assistant Examiner—Prabhakar Deshmukh
Attorney, Agent, or Firm—Jean H. Dubuc

[57] CLAIM

The ornamental design for a container for lobsters or the like, as shown and described.

DESCRIPTION

FIG. 1 is a left side elevation of a container for lobsters or the like showing my new design; the right side elevation being a mirror image thereof;
FIG. 2 is a front elevation thereof; the rear elevation being a mirror image thereof;
FIG. 3 is a top plan view thereof; and
FIG. 4 is a bottom plan view thereof.

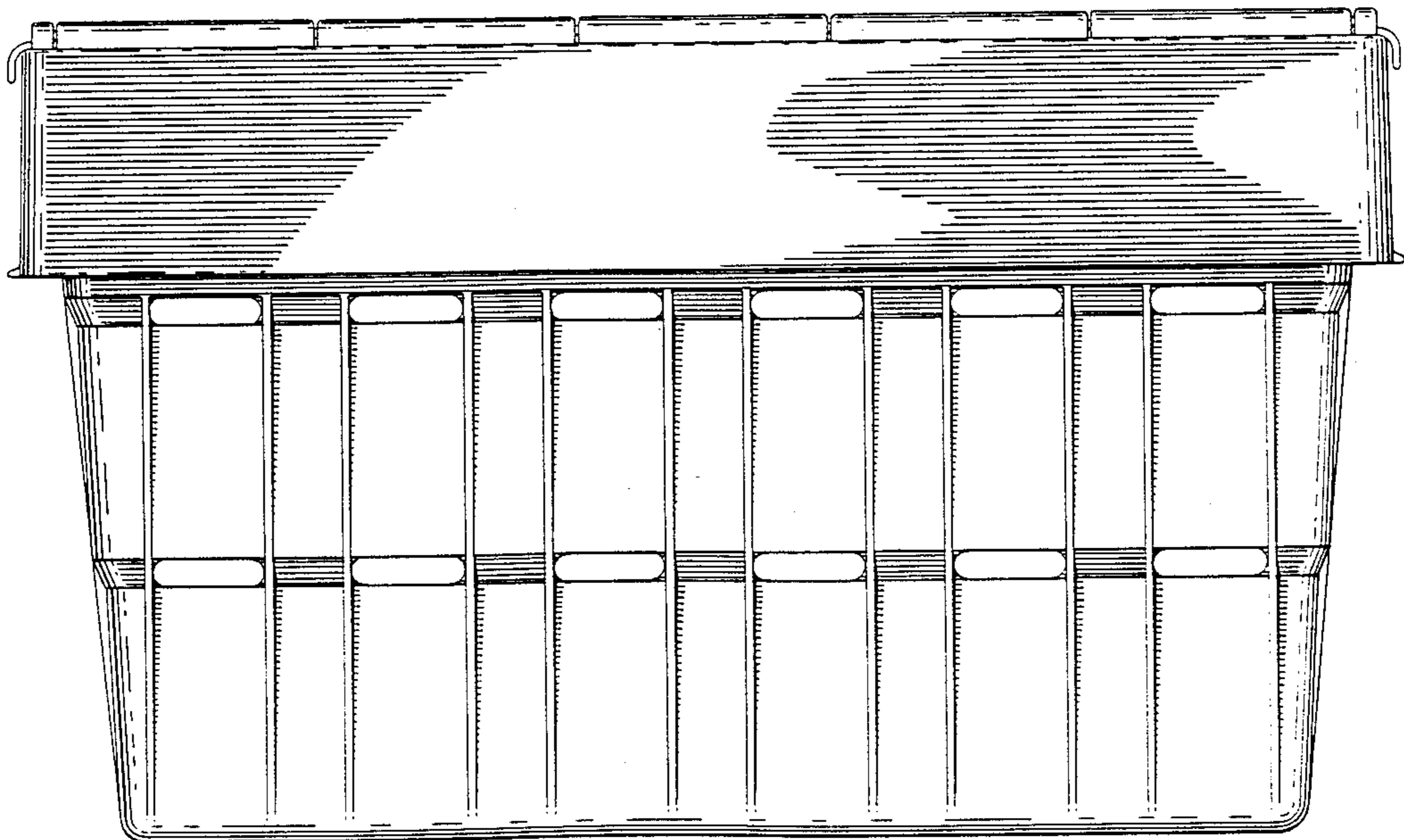
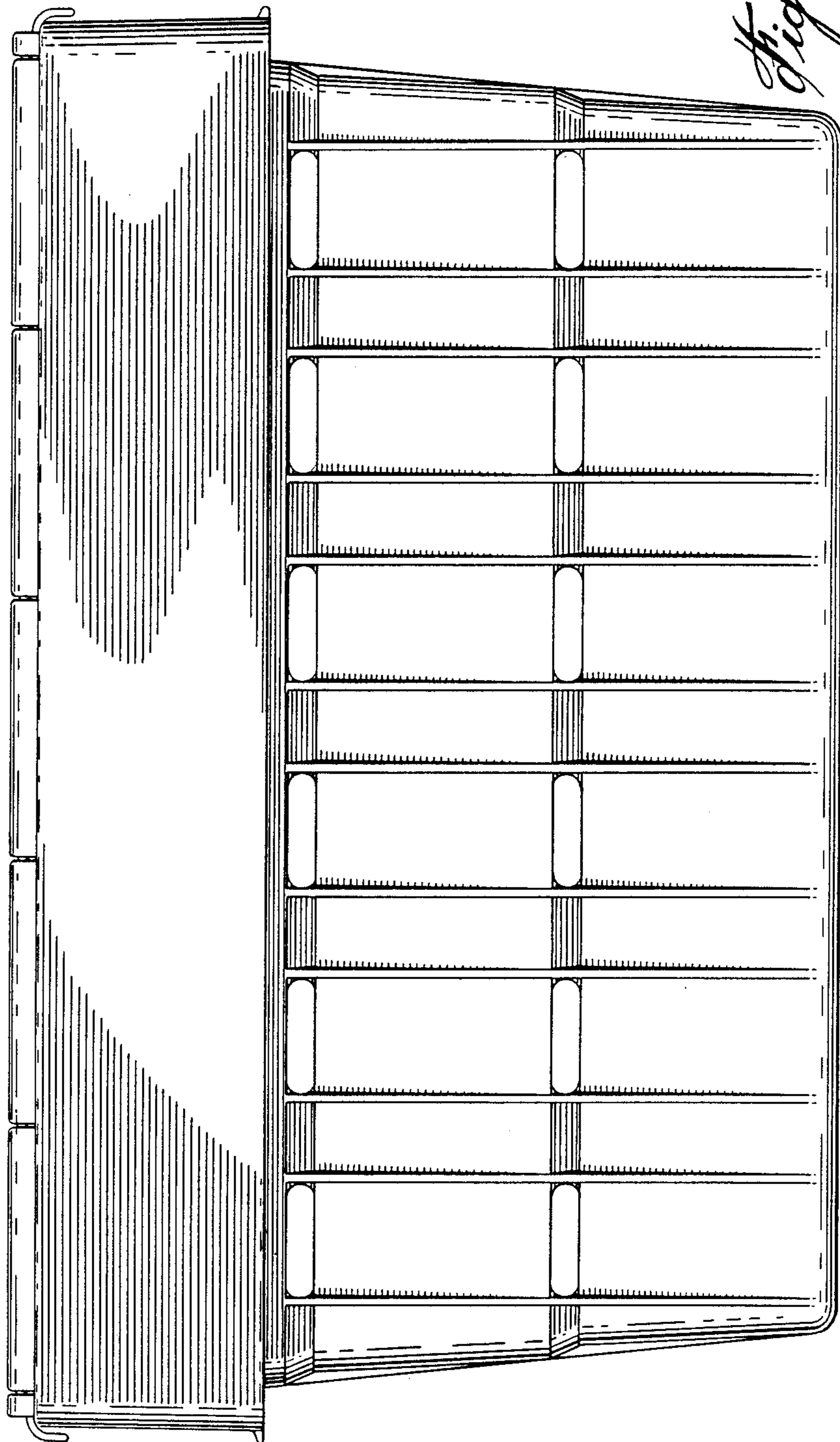


Fig. 1



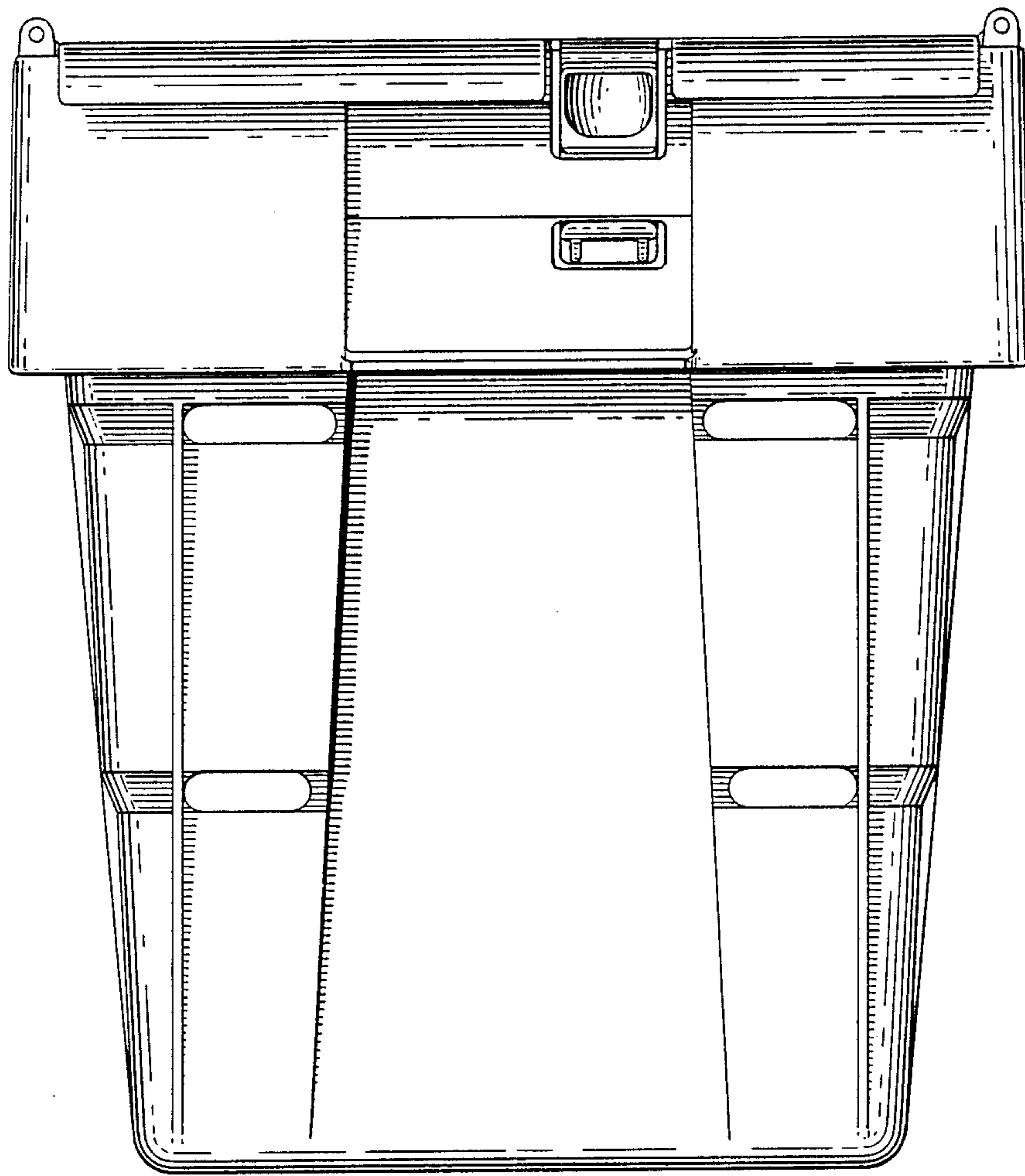


Fig. 2

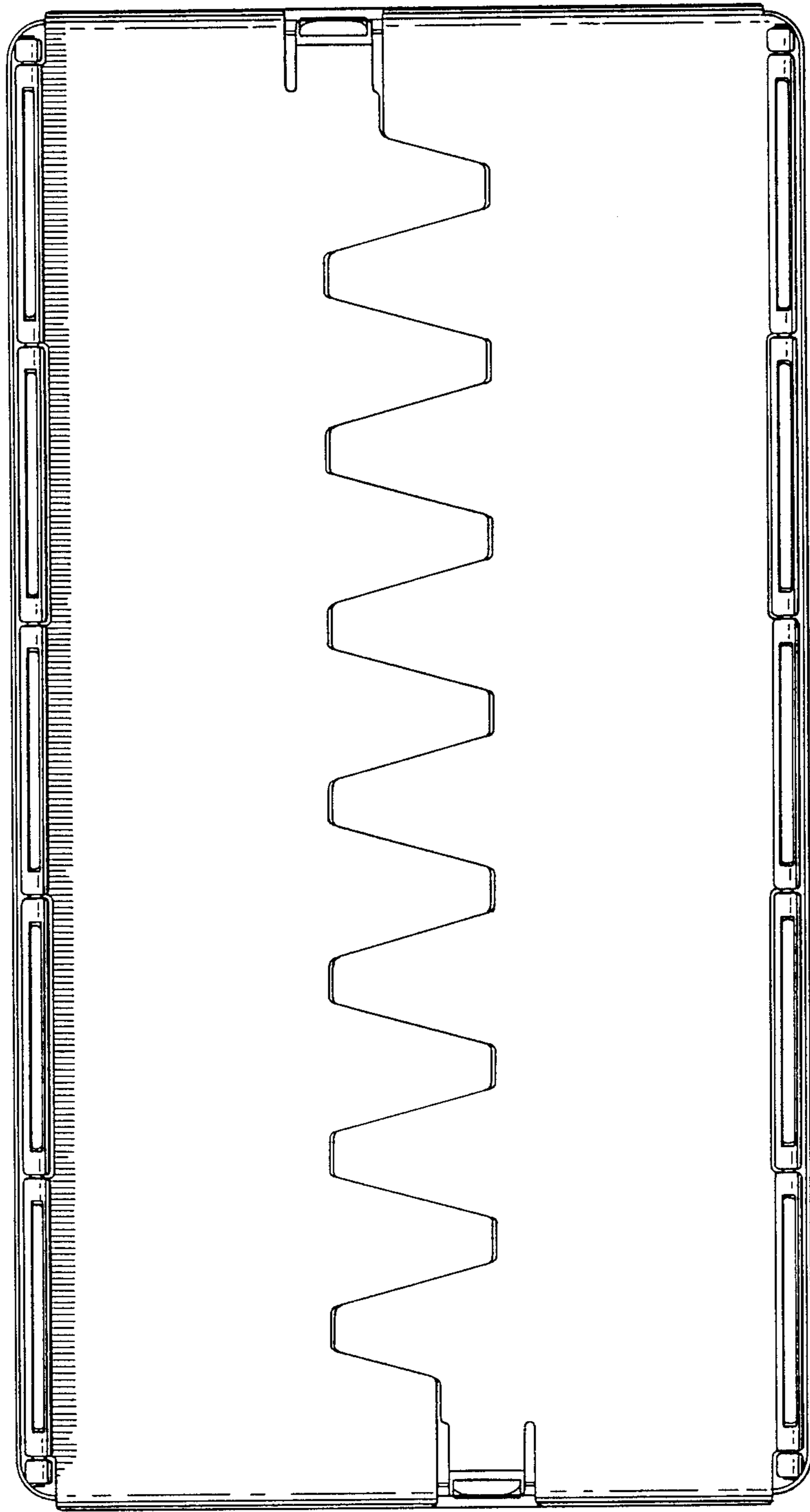


Fig. 3

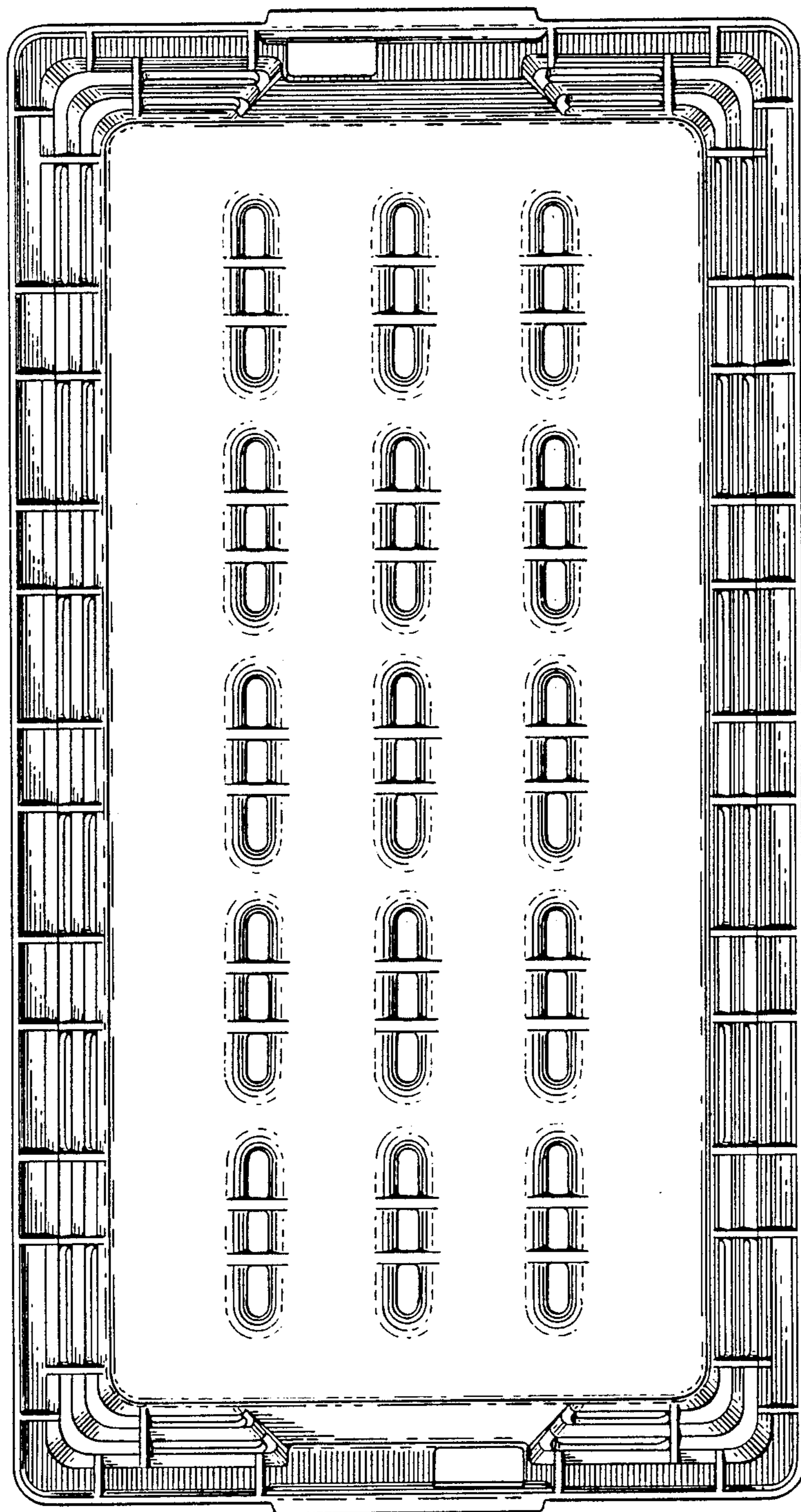


Fig. 4